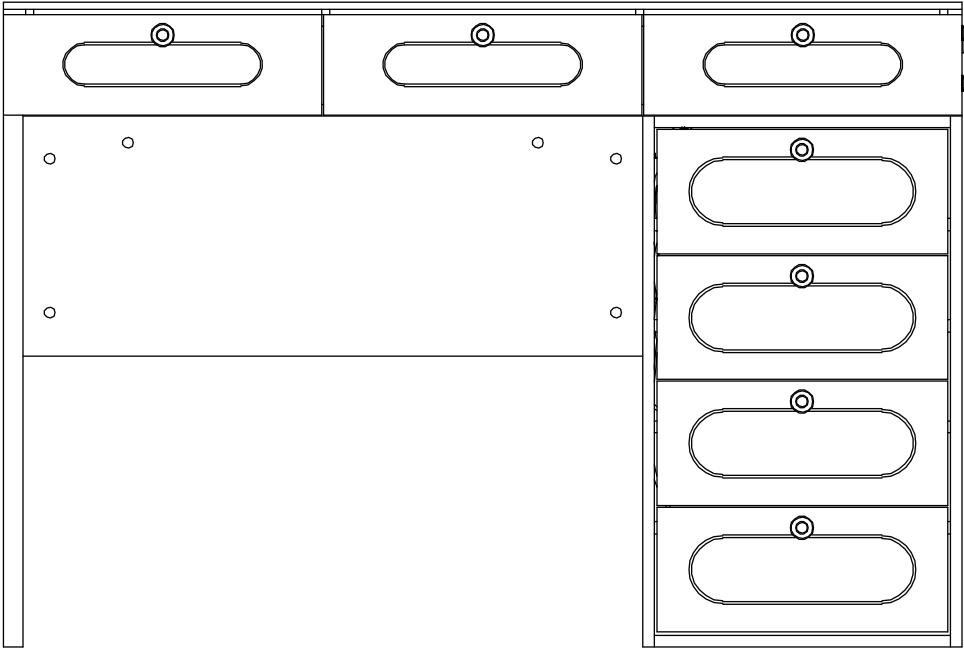
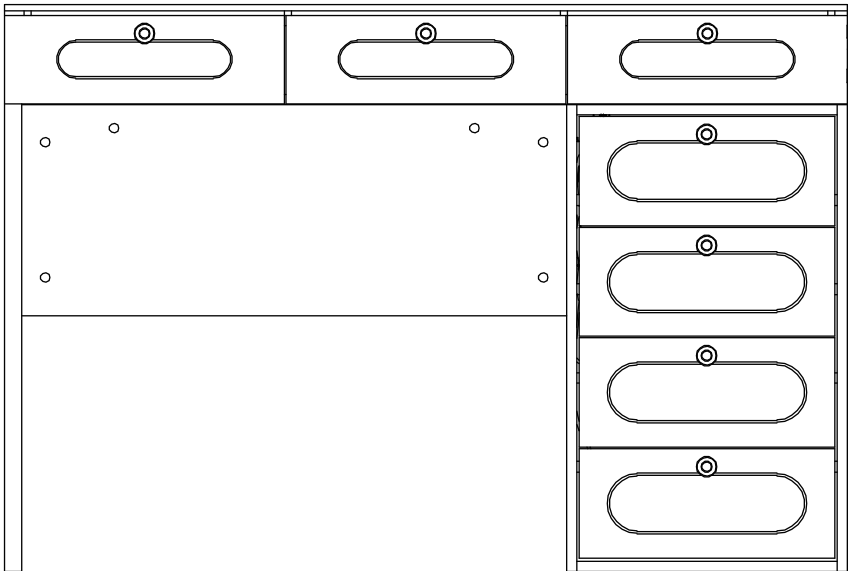


Installation & Assembly



Desk

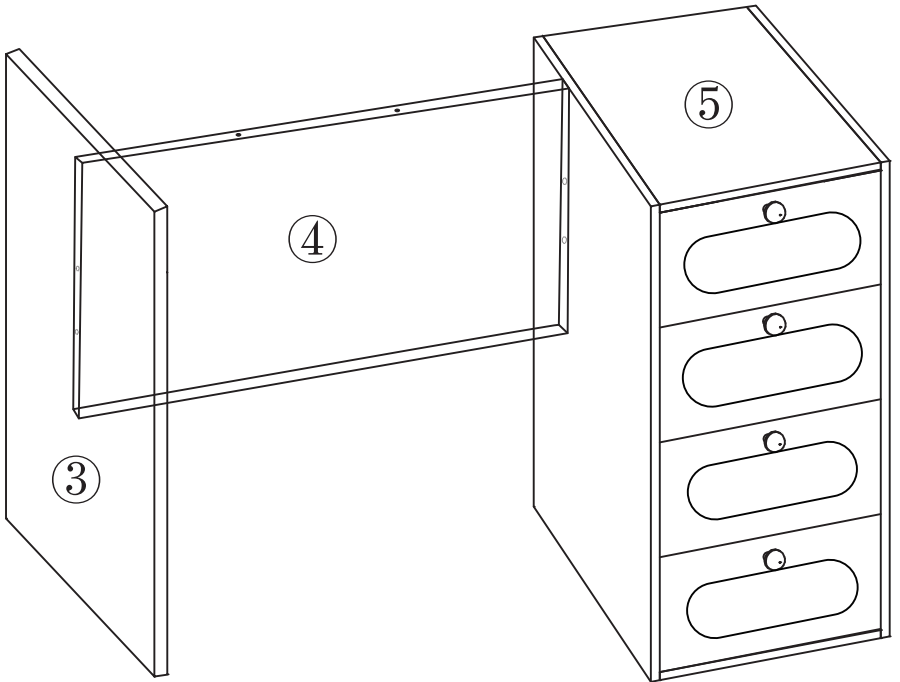
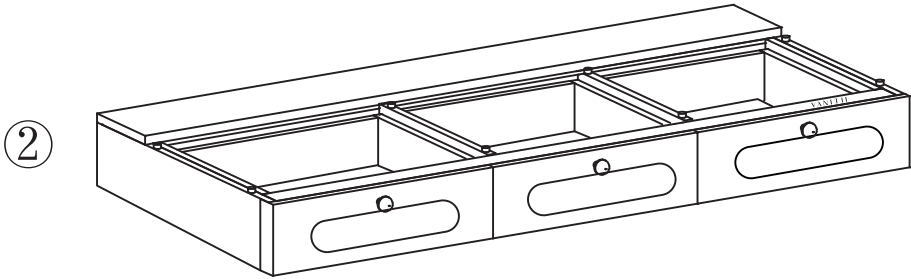
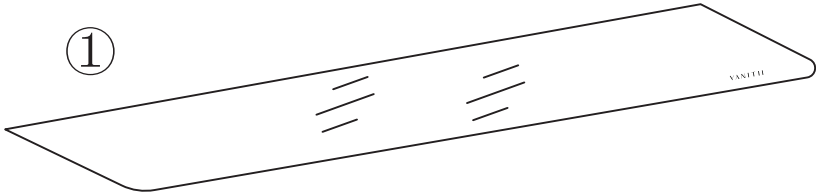
PLEASE READ THIS MANUAL THOROUGHLY BEFORE USING THIS APPLIANCE



Dear Customer:

Thank you for allowing us in your glam room, please pay attention to the following points when installing:

1. Before installation, please spread carpet or fabrics like cotton or velvet on your floor to avoid damaging your floor and/or this product.
2. Only adults are allowed to install - please remove all children from the area



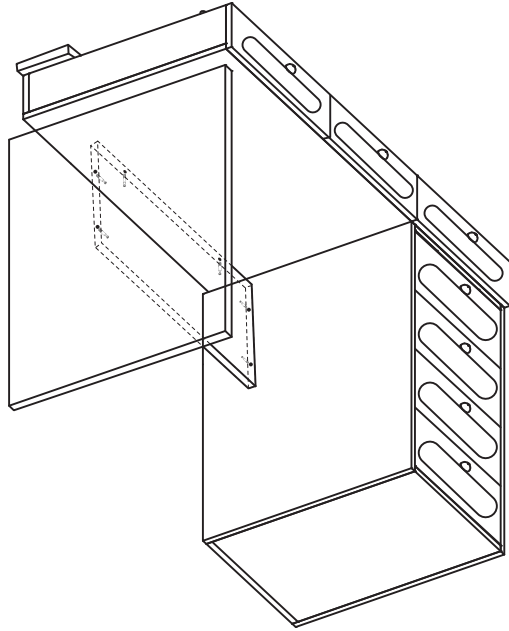
STEP 1.



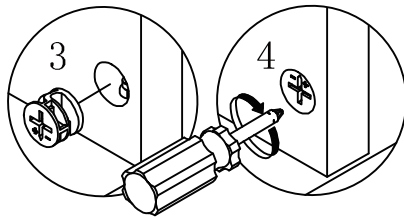
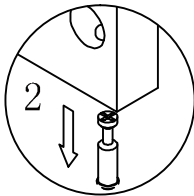
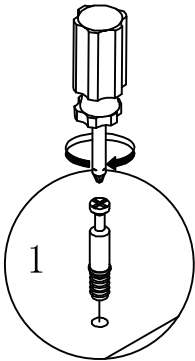
Screwdriver



Connecting
Fitting*6



ACCESSORIES INSTALLATION



STEP 2.



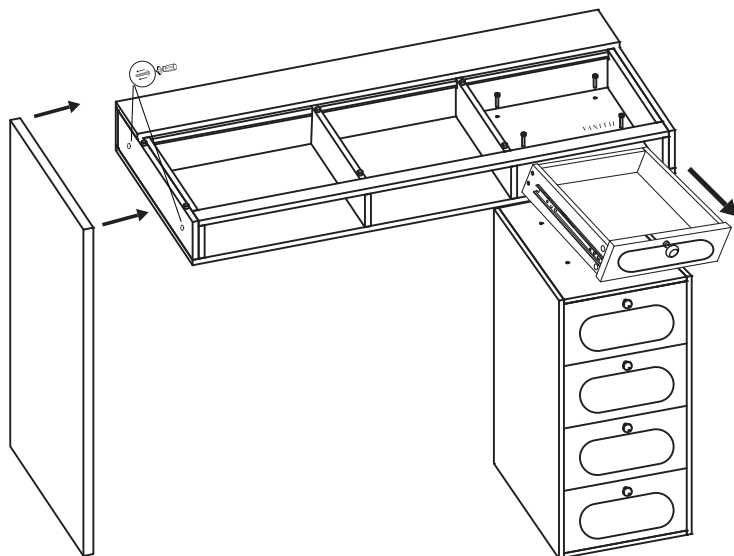
Screwdriver*1



6x30mm

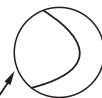
Screw*6

+2 spare part included



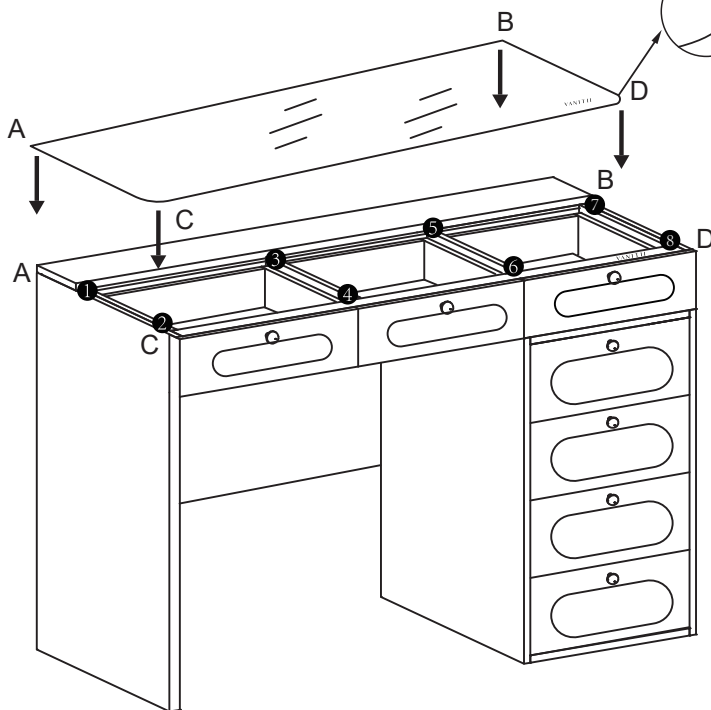
STEP 3.

Round corners
at outer side



Silicone Pad*8

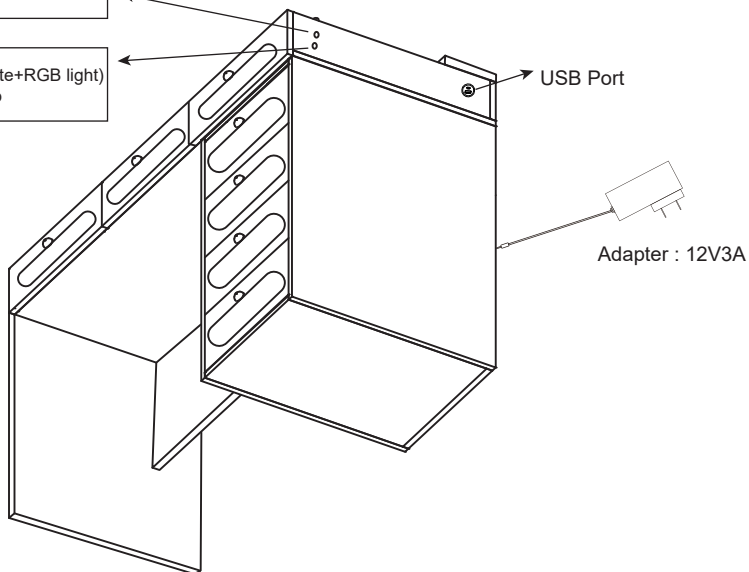
+2 spare part included



Desk

Turn on/off the light

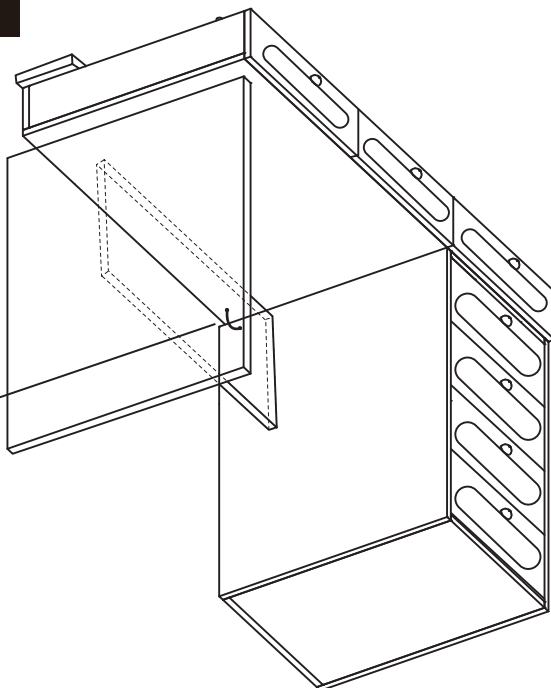
Short Press: Color Change (White+RGB light)
Long Press: Trotting Horse Lamp






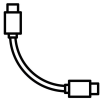




Desk - C



In-Drawer Lighting:
Connect drawers to desktop
with DC power cords to
power on



ACCESSORIES ITEMS

 Handle*4+4	 6x30mm Screw*8	 Connecting Fitting*6+1	 TYPE-C Power Cord*1 (Only for Priscilla Vanity TYPE-C)
 Screwdriver*1	 Silicone Pad*10	 Adapter*1	 4x22mm Screw*4+4



HANDLE WITH CARE.

Gently unpack all parts to avoid damage.

When assembling, ensure all screws are fully tightened before use.