

WOOD CAT LITTER BOX ENCLOSURES

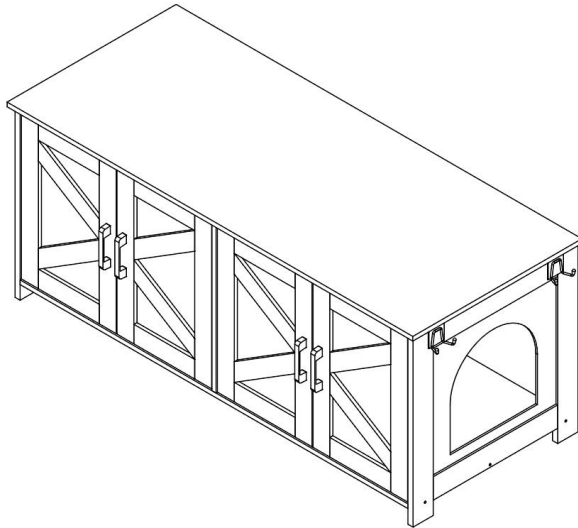
USER MANUAL

We continue to be committed to provide you tools with competitive price.

"Save Half", "Half Price" or any other similar expressions used by us only represents an estimate of savings you might benefit from buying certain tools with us compared to the major top brands and does not necessarily mean to cover all categories of tools offered by us. You are kindly reminded to verify carefully when you are placing an order with us if you are actually saving half in comparison with the top major brands.

WOOD CAT LITTER BOX ENCLOSURES

TOUGH TOOLS, HALF PRICE



This is the original instruction, please read all manual instructions carefully before operating. reserves a clear interpretation of our user manual. The appearance of the product shall be subject to the product you received. Please forgive us that we won't inform you again if there are any technology or software updates on our product.

NOTICE : Please retain instructions for future needs.

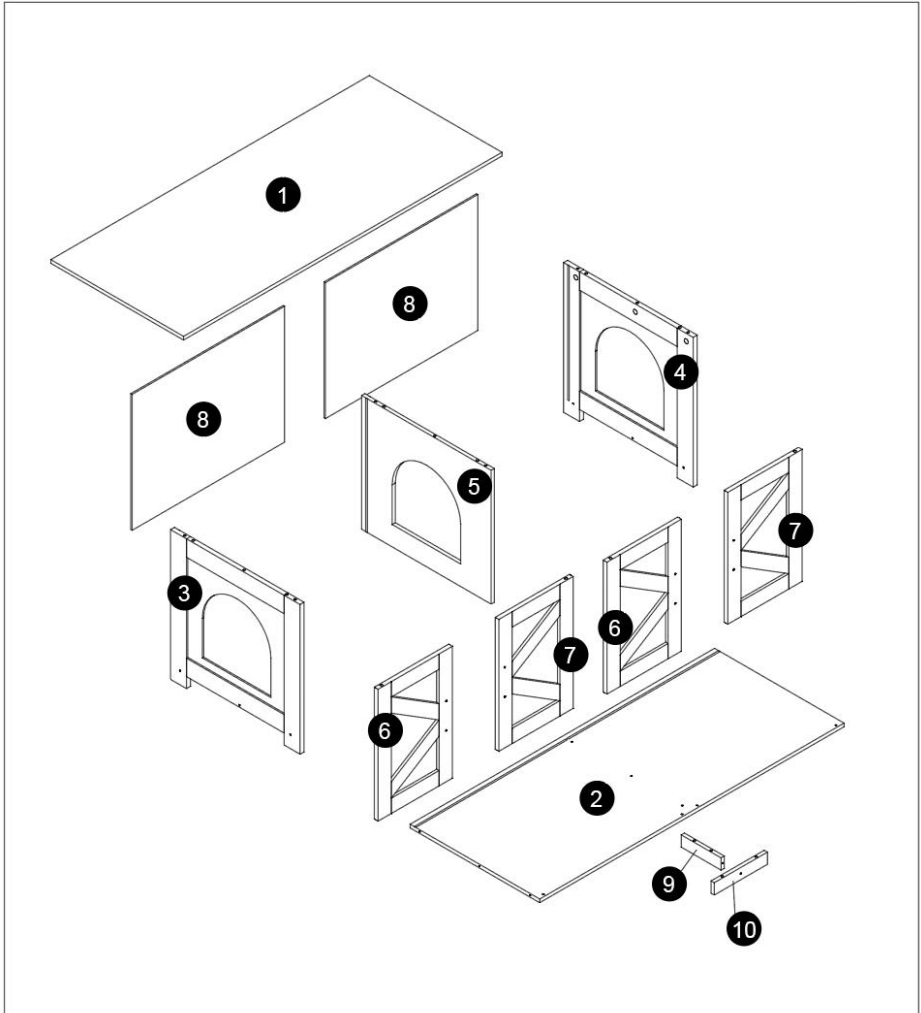
- Do not stand on or use any parts of this item as a step ladder.
- Fasten screws loosely during assembly. Do not firmly tighten the screws until the item is completely assembled.
- Double-check all the bolts, screws, and knobs have been firmly tightened before use.
- To prevent items fall apart, please regularly check if all bolts, screws, and knobs are secure.
- Do not use or store this item in the proximity of open flame or flammable/combustible chemicals.
- Be aware that some parts are heavy and have sharp edges when assembling and using.
- Do not use this item in a way inconsistent with the manufacturer's instructions as this could void the product warranty.
- This item is made of wood and may expand due to moisture.
- When using an electric screwdriver for installation, pay attention to controlling the torque to avoid damaging the screws or the wood board.














SPECIFICATIONS

Product Size(Folded state)	47.2×18.5×19.7in
Color	Greige
TOP Load Capacity	150lb
Bottom Load Capacity	100lb

Product Size(Folded state)	47.2×18.5×19.7in
Color	White
TOP Load Capacity	150lb
Bottom Load Capacity	100lb

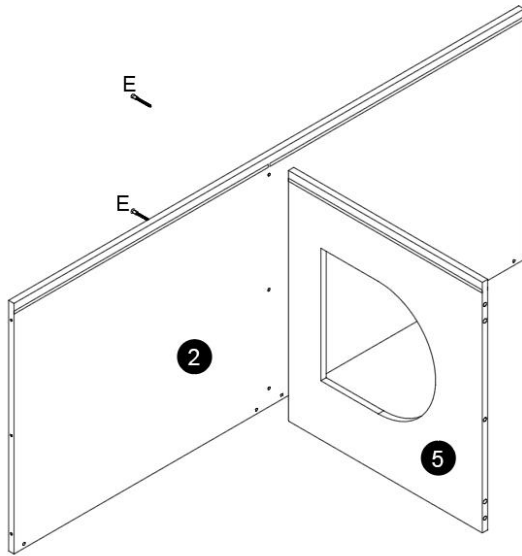
Components



A  x14	B  x14	C  x7	D  x4	E  x10	F  x18	G  x9
H  x4	I  x4	J  x8	K  x2	L  x24	 x1	

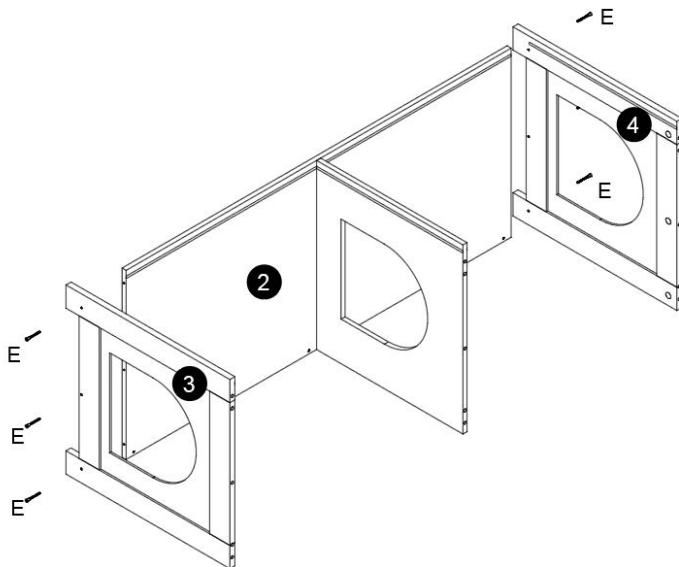
Assembly Instructions:

1



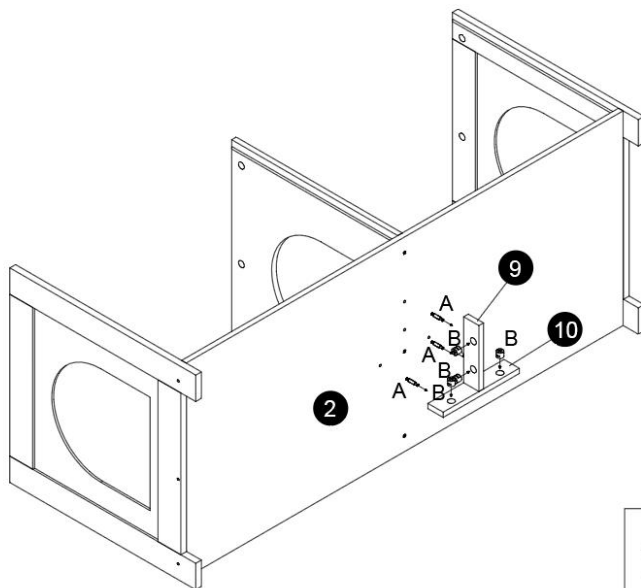
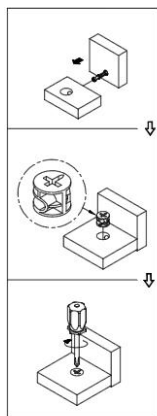
E*3

2



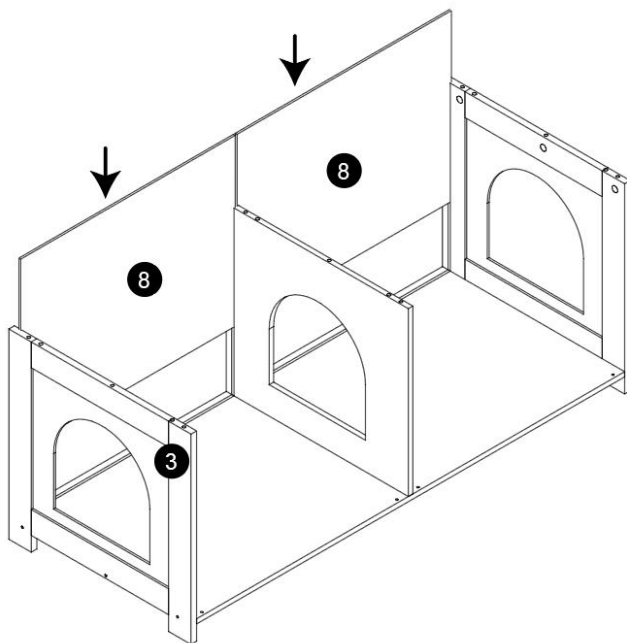
E*6

3

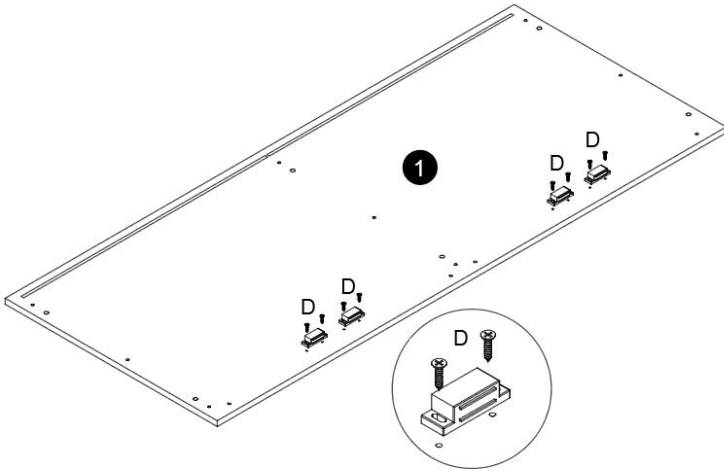


A*4
B*4

4

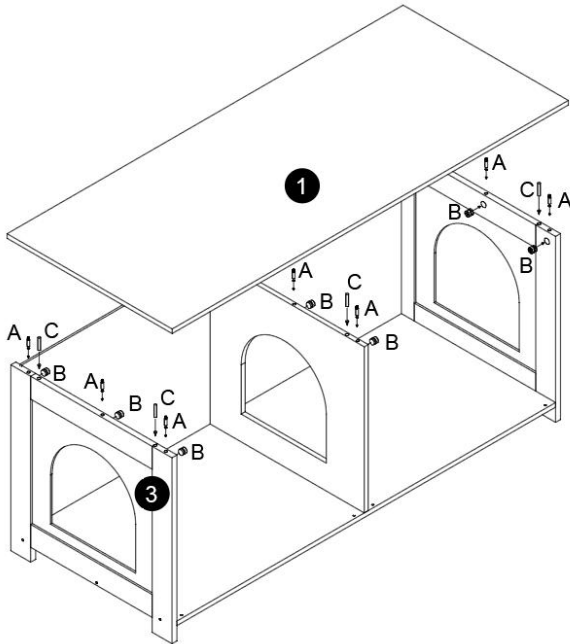


5



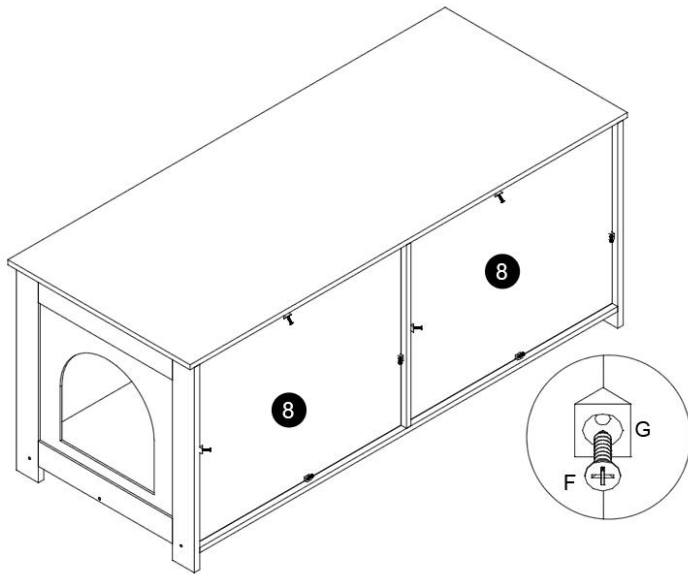
D*4

6



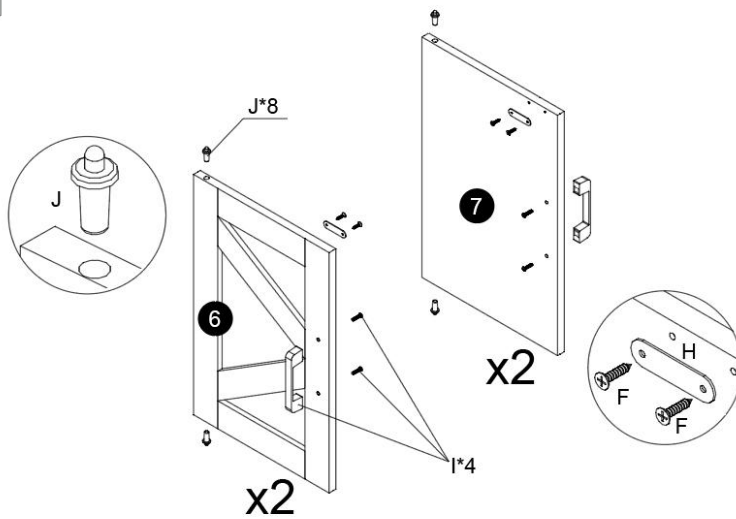
A*9
B*9
C*6

7



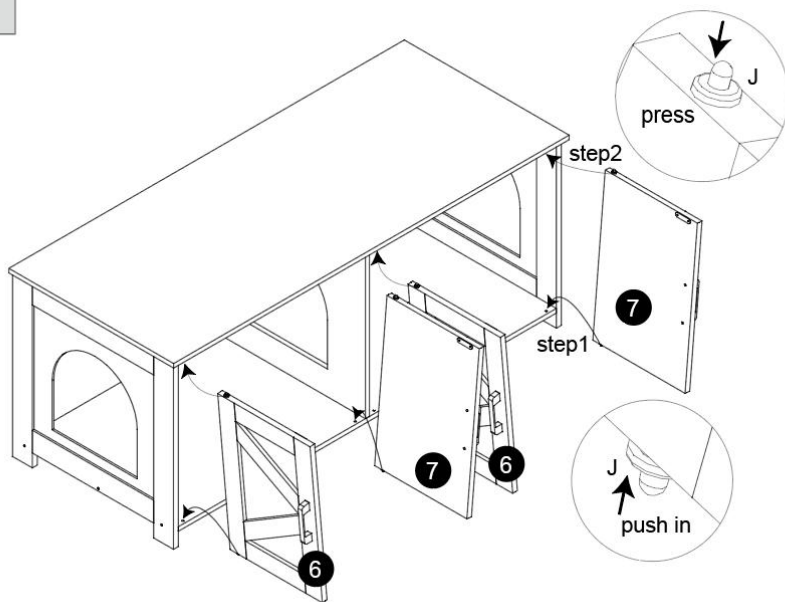
G*8
F*8

8



H*4
F*8
J*8
I*4

9



10

