

OWNER'S MANUAL

10'X12' Patio Gazebo



“Happy Families Through Happy Living”

Contact Us

Let's connect on social media



Got questions?
Feel free to email us:
Email: support@happatio.com

Scan the QR code to watch the installation video.



SAFETY PRECAUTIONS

WARNING



Please read and understand this entire manual before attempting to assemble or install this product.



Some parts may have sharp edges. Please wear protective gloves when assembling or installing this product.



Before beginning assembly, choose and measure out the location on which you want to place your pergola. Make sure your space is large enough. Then, find a large and convenient assembly area where you can lay out and pre-assemble all parts for your Pergola.



Children and pets should be kept from your assembly area if possible. Supervise children and pets if they are in the assembly area.



This item is heavy. Please handle with care. Two or more people are required for this assembly.

CAUTION

- ★ Check every part against the part list before beginning your assembly. If any part is missing or damaged, do not attempt to assemble the product. Instead, please contact us.
 - ★ You will need these additional tools: a ladder and an adjustable wrench.
 - ★ Once a unit has been pre-assembled as per the instructions, set it aside until later.
 - ★ We care about your experience. Please feel free to contact us if you have any questions or issues. We will try to offer you efficient solutions ASAP.
-

WARRANTY COVERAGE REQUIREMENTS:

- ★ Pictures of the damaged parts.
 - ★ The order number of your product.
 - ★ Please gather all of this information BEFORE you contact us.
 - ★ Do not use this item in a way inconsistent with the manufacturer's instructions, as this could void the product warranty.
-

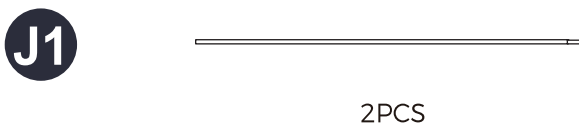
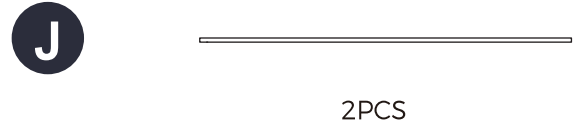
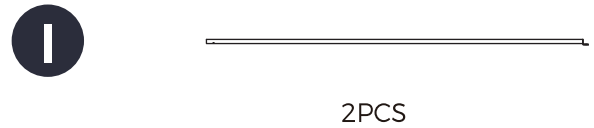
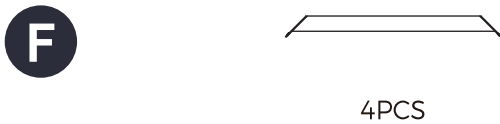
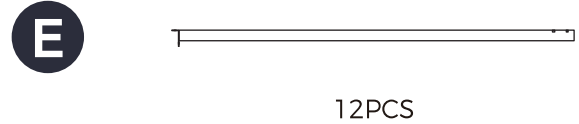
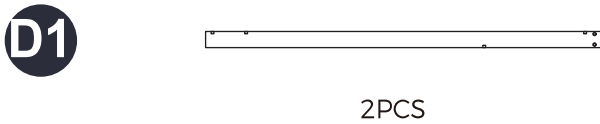
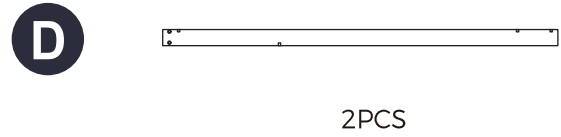
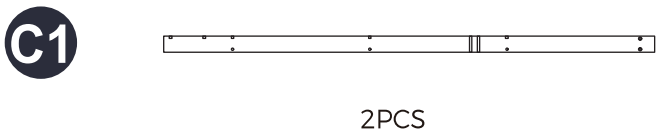
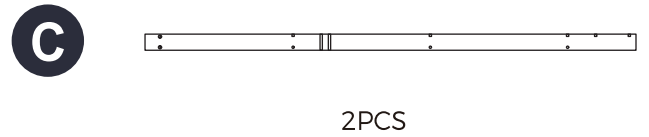
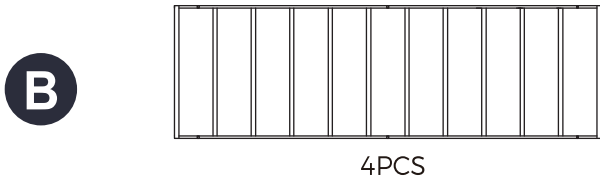
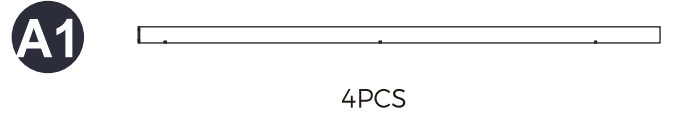
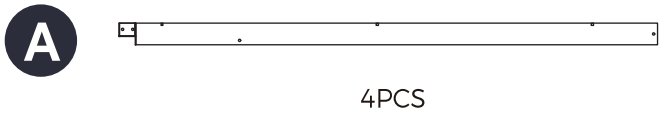


E-mail:
support@happatio.com

Social Media



PATIO UMBRELLAS



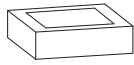
E-mail:
support@happatio.com


Social Media



PATIO UMBRELLAS

K1



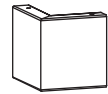
4PCS

L



1PC

M



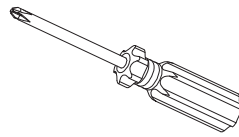
4PCS

N



4PCS

O



4PCS

P



1PC

Wrench

Q



8PCS

R



8PCS

X



84+2PCS

M6X15MM Bolt

Bolt

X1



16+1PCS

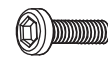
X2



8PCS

M6X70MM Bolt

X3



8PCS

M6X20MM Bolt

M5X10MM Bolt

X4



8PCS

Note:

There are some accessories in the four A-pillars, namely 2C1, 2C, 2D, 2D1. Before installation, please take out the accessories in the A-pillar and check them carefully.



E-mail:
support@happatio.com

Social Media



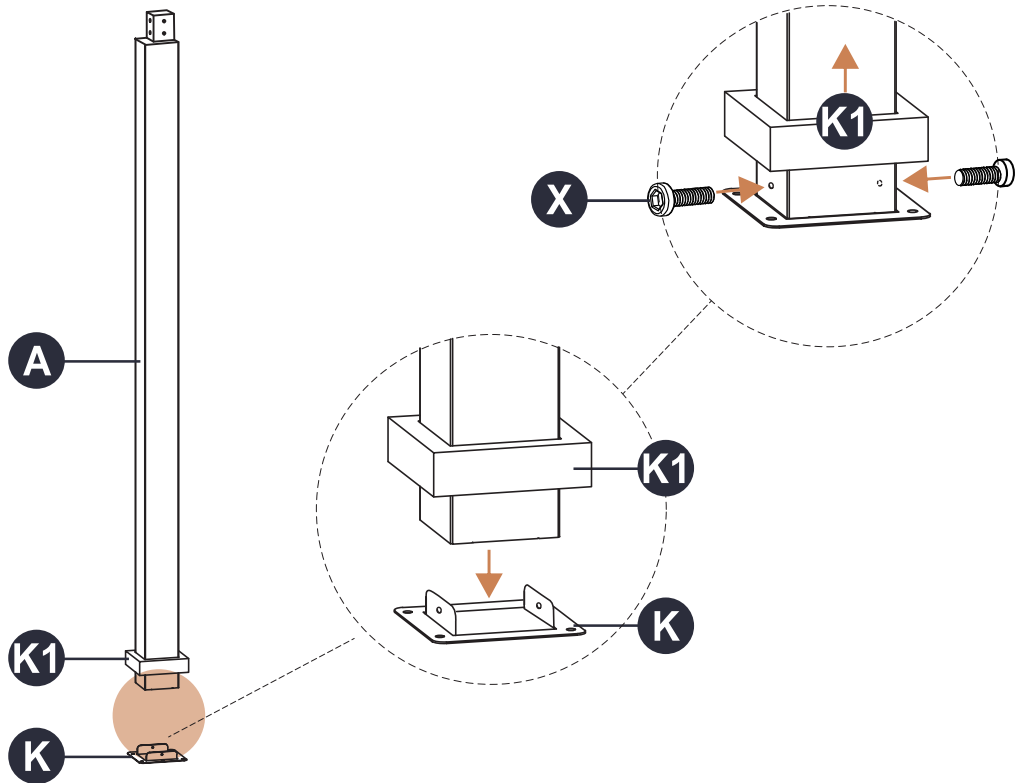
PRODUCT ASSEMBLY

STEP 1

x8



X : 8 PCS

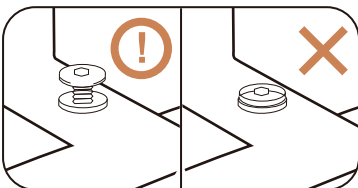
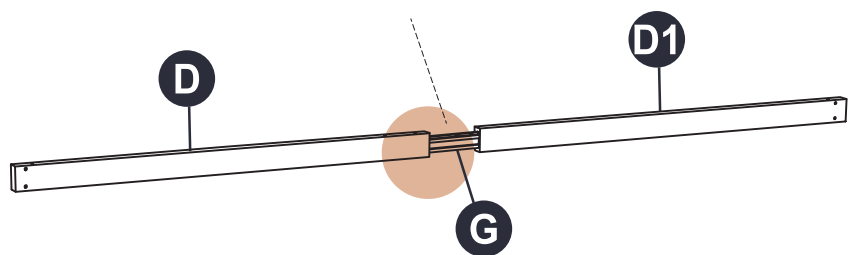
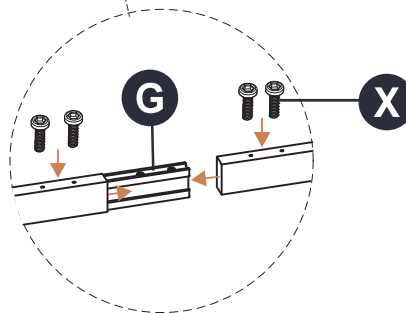
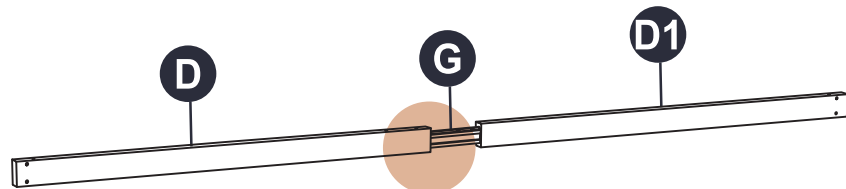


STEP 2

x8



X : 8 PCS



In order to increase efficiency, it is recommended to simply fix all accessories with screws and then tighten the screws altogether.



E-mail:
support@happatio.com

Social Media



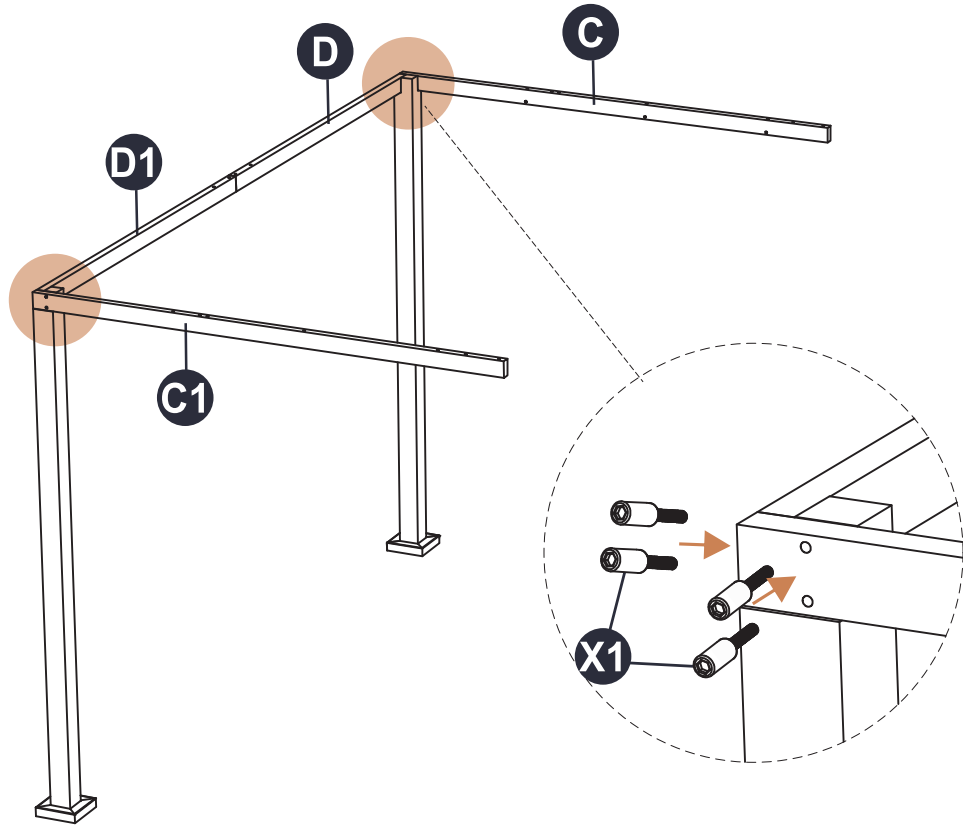
PRODUCT ASSEMBLY

STEP 3

x16



X1 : 16 PCS



STEP 4

x8

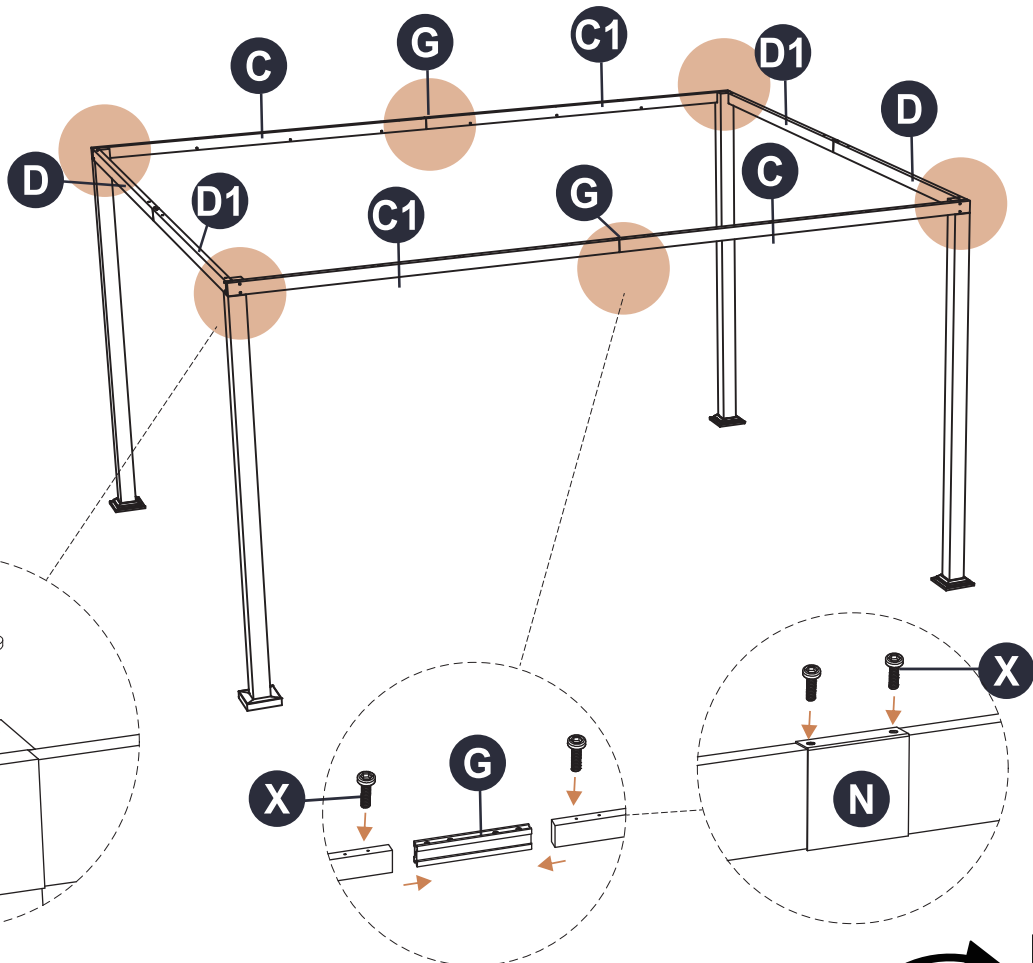


X : 8 PCS

x8



X4 : 8 PCS



E-mail:
support@happatio.com

Social Media



PRODUCT ASSEMBLY

STEP 5

x8

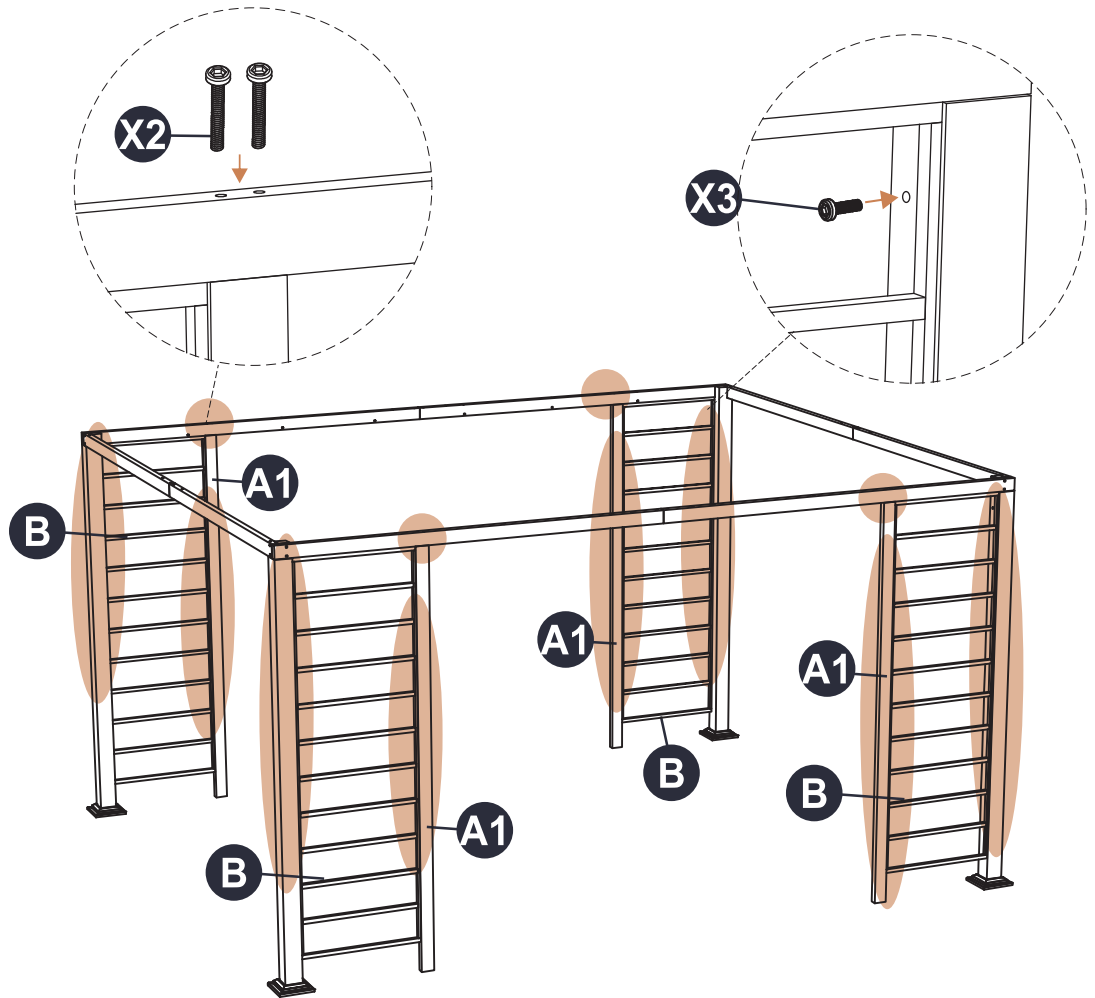


X2 : 8 PCS

x24



X3 : 24 PCS

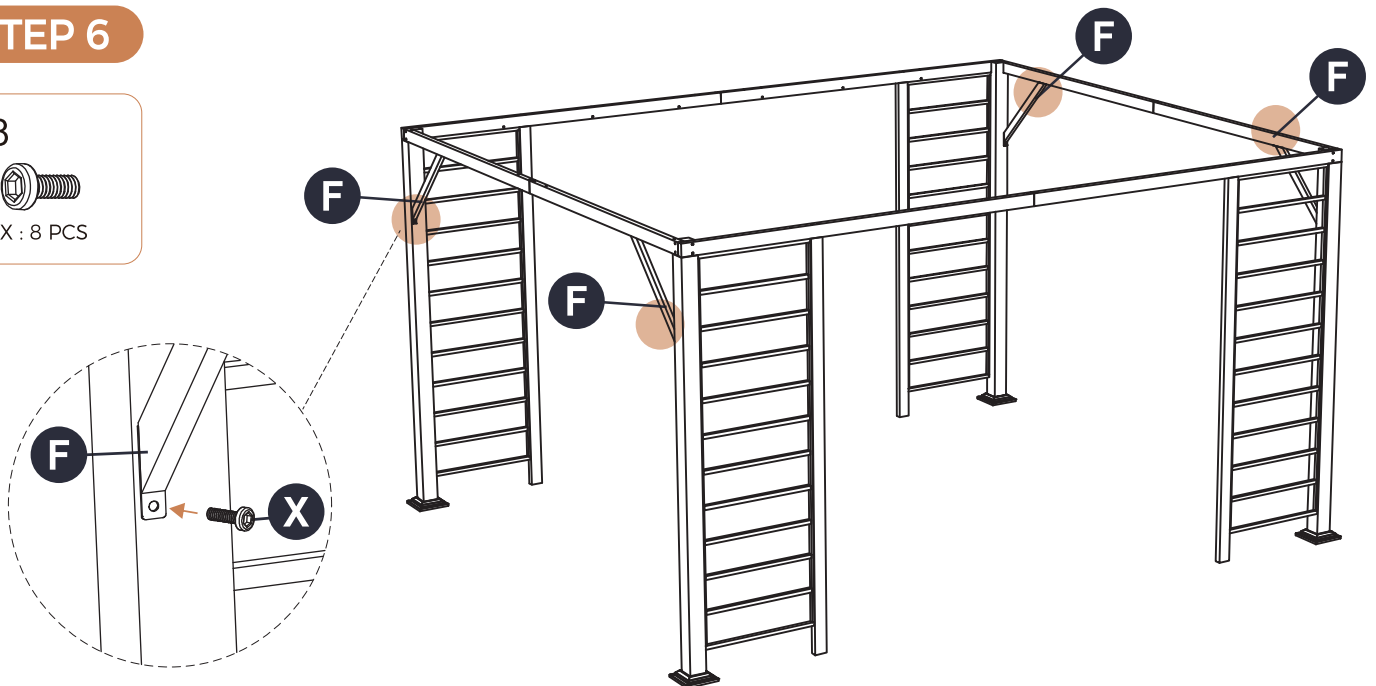


STEP 6

x8



X : 8 PCS



E-mail:
support@happatio.com

Social Media



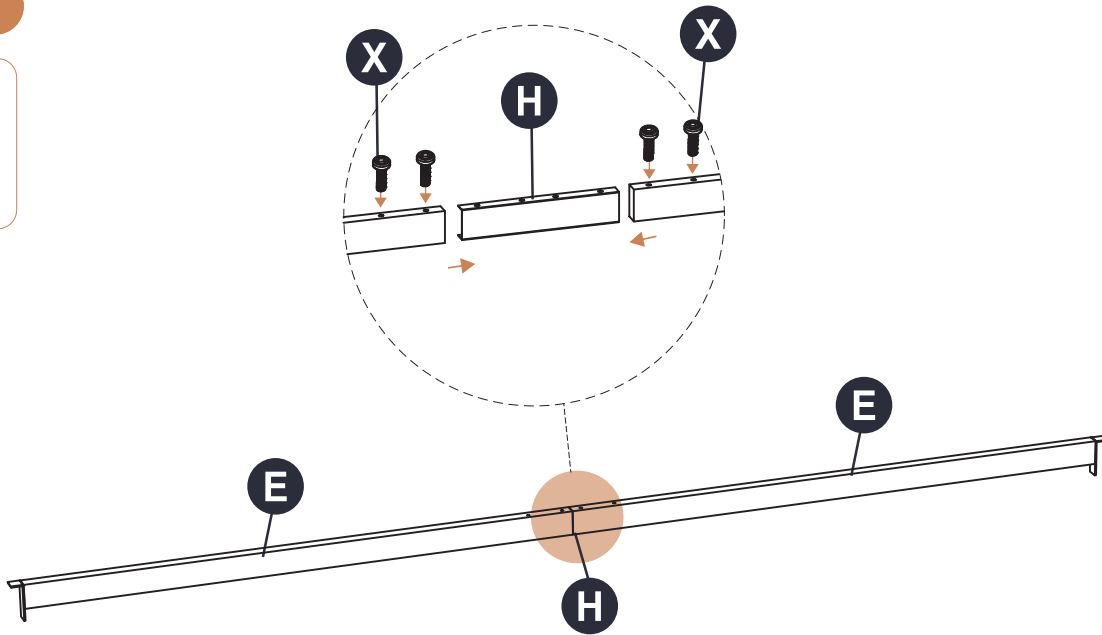
PRODUCT ASSEMBLY

STEP 7

x24



X : 24 PCS



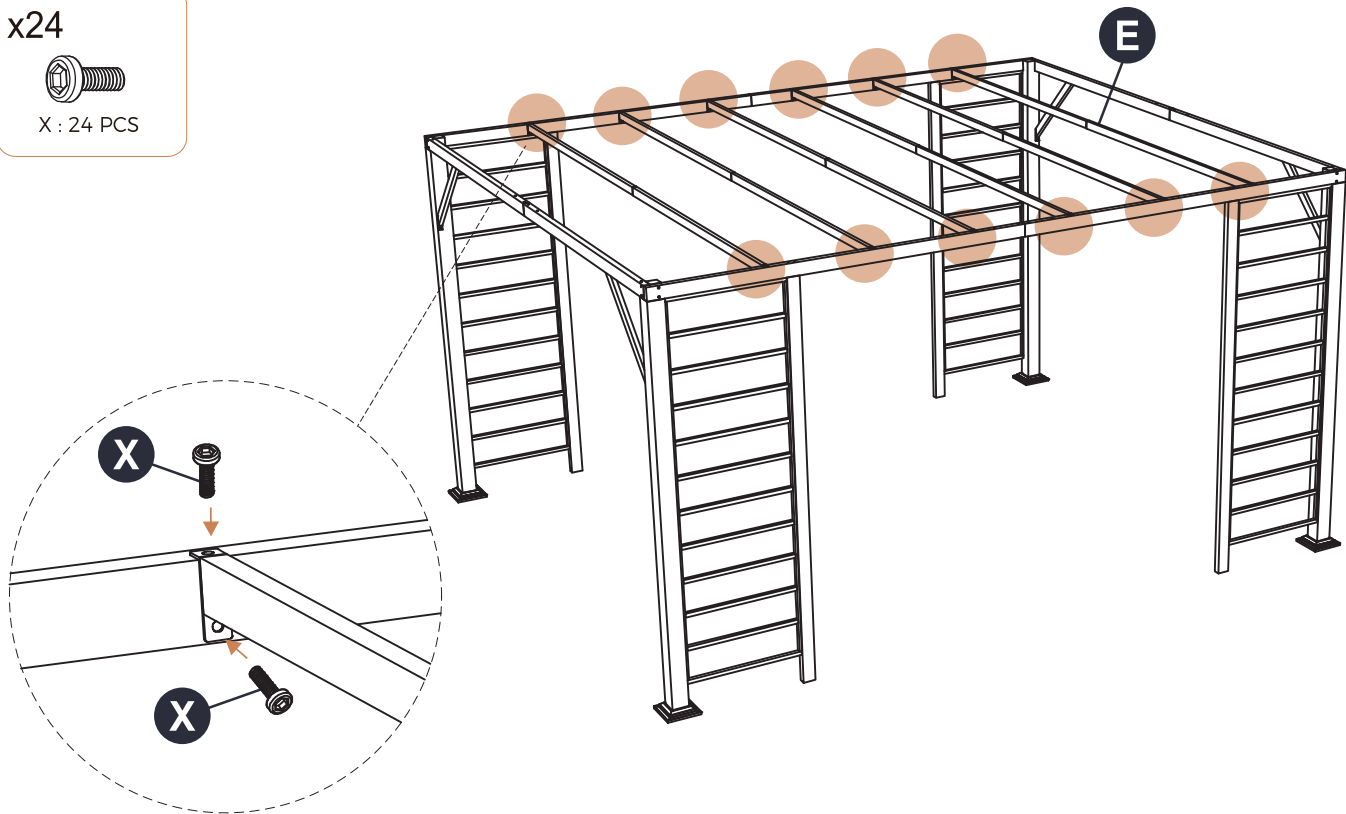
x6

STEP 8

x24



X : 24 PCS



E-mail:
support@happatio.com


Social Media



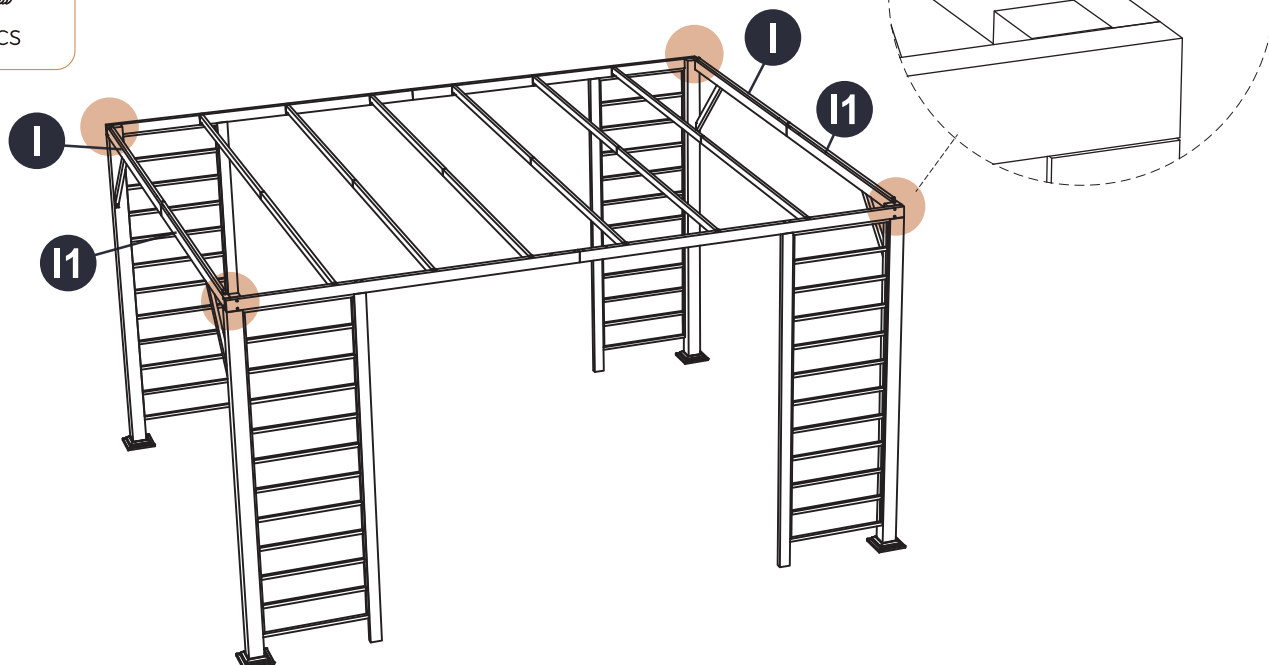
PRODUCT ASSEMBLY

STEP 9

x4

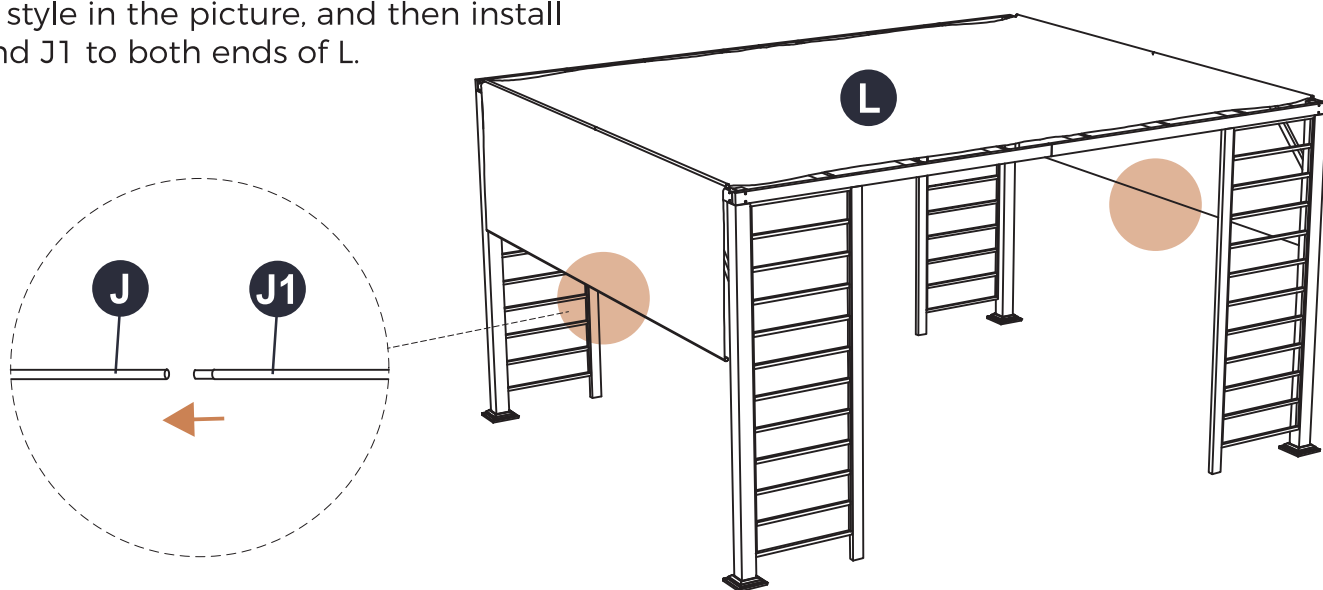


X : 4 PCS



STEP 10

First put L on the frame according to the style in the picture, and then install J and J1 to both ends of L.



E-mail:
support@happatio.com


Social Media



PRODUCT ASSEMBLY

STEP 11

x8



Q : 8 PCS

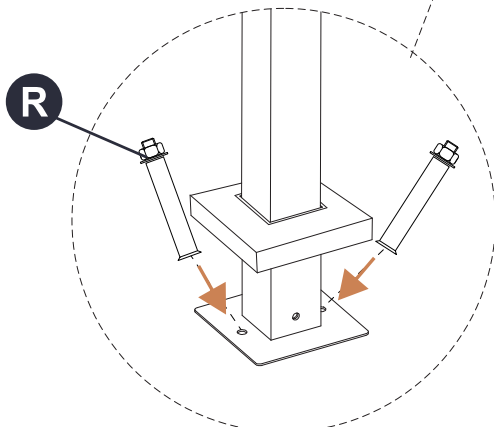
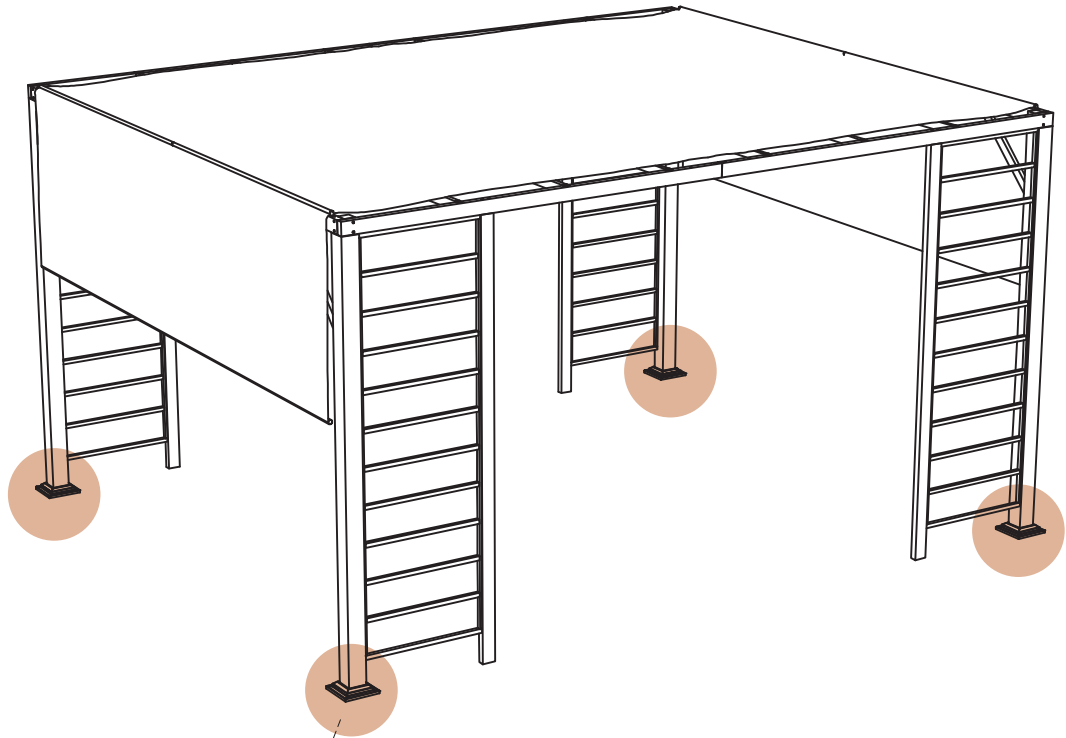
x8



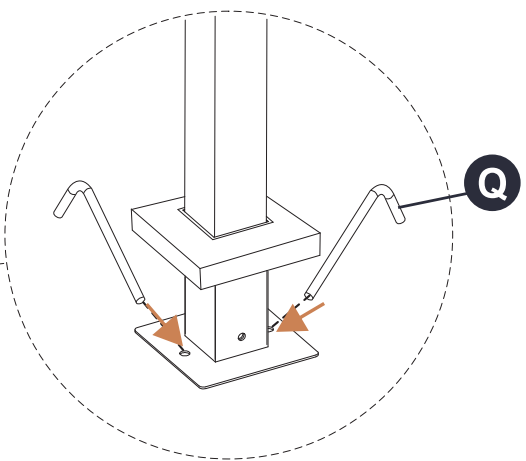
R : 8 PCS

Note:

We recommend having four people move and carry the four corners of the tent simultaneously. Otherwise, it is likely to cause damage to the tent.



On solid field



On grass field



E-mail:
support@happatio.com

