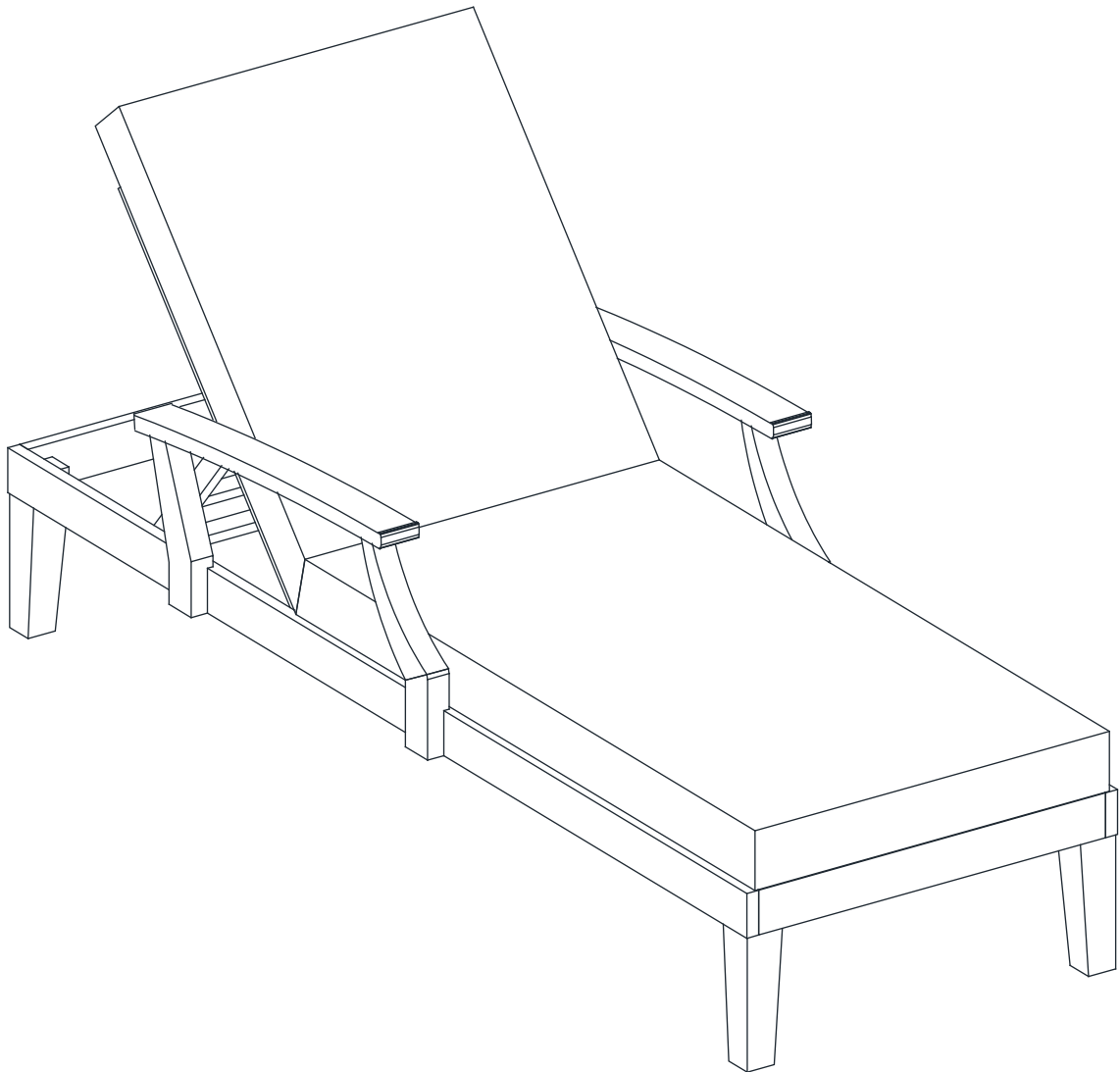


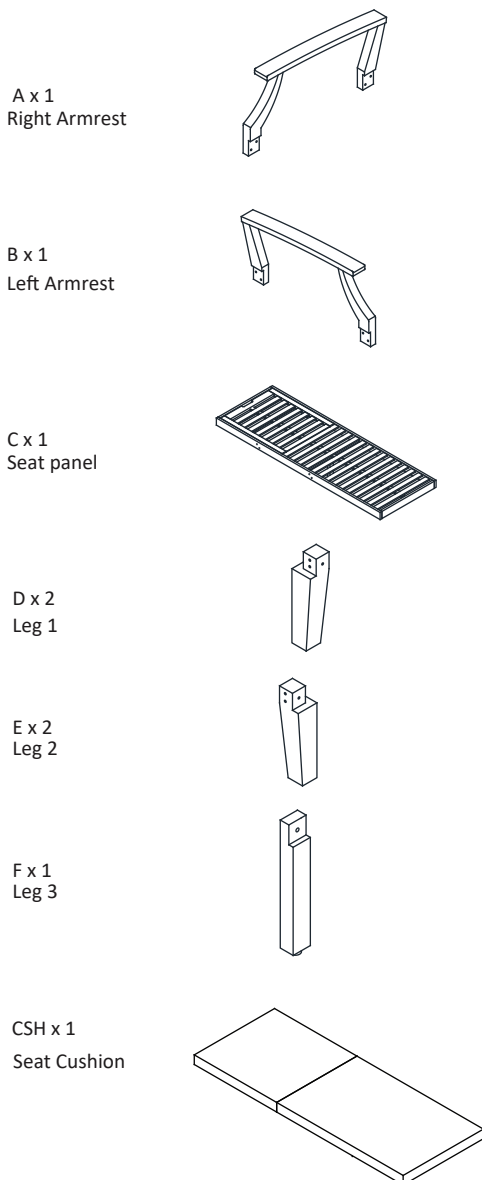
WOOD PATIO CHAISE LOUNGE

Assembly Instructions



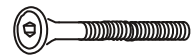
Every thing we make is incredibly simple to set up, including your new chaise lounge . You won't need any additional tools.

Parts List



Hardware List

HW1 x 12
Allen Bolt: M6x0.5x55 mm



HW2 x 8
Allen Bolt: M6x0.5x35 mm



HW3 x 1
Allen Screw: M6x0.5x35 mm



HW4 x 12
Spring Washer: 6.5 x 14/6.5 x2 mm



HW5 x 12
Flat Washer : 6.5 x 20/6.5 x2 mm

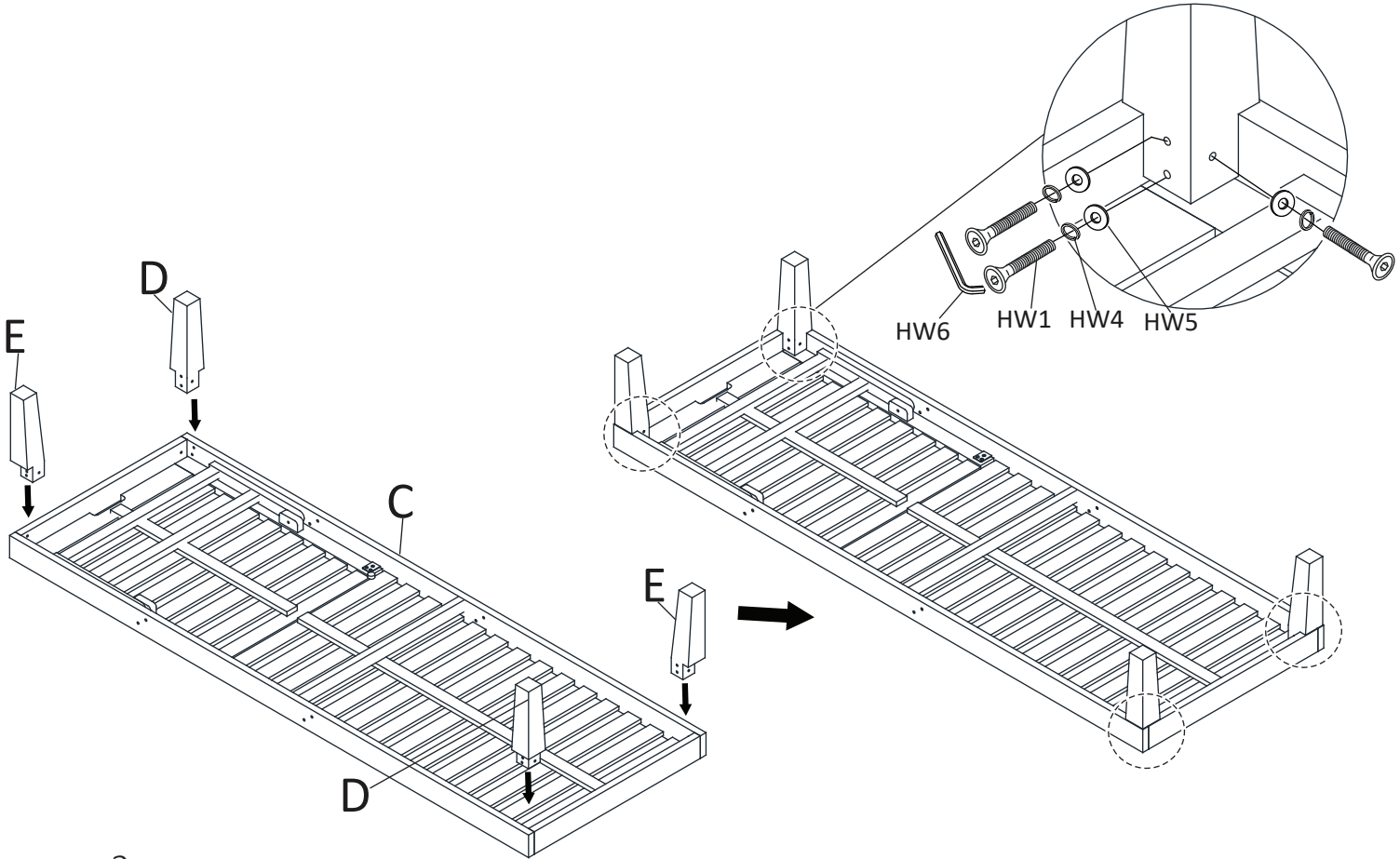


HW6 x 1
Allen key



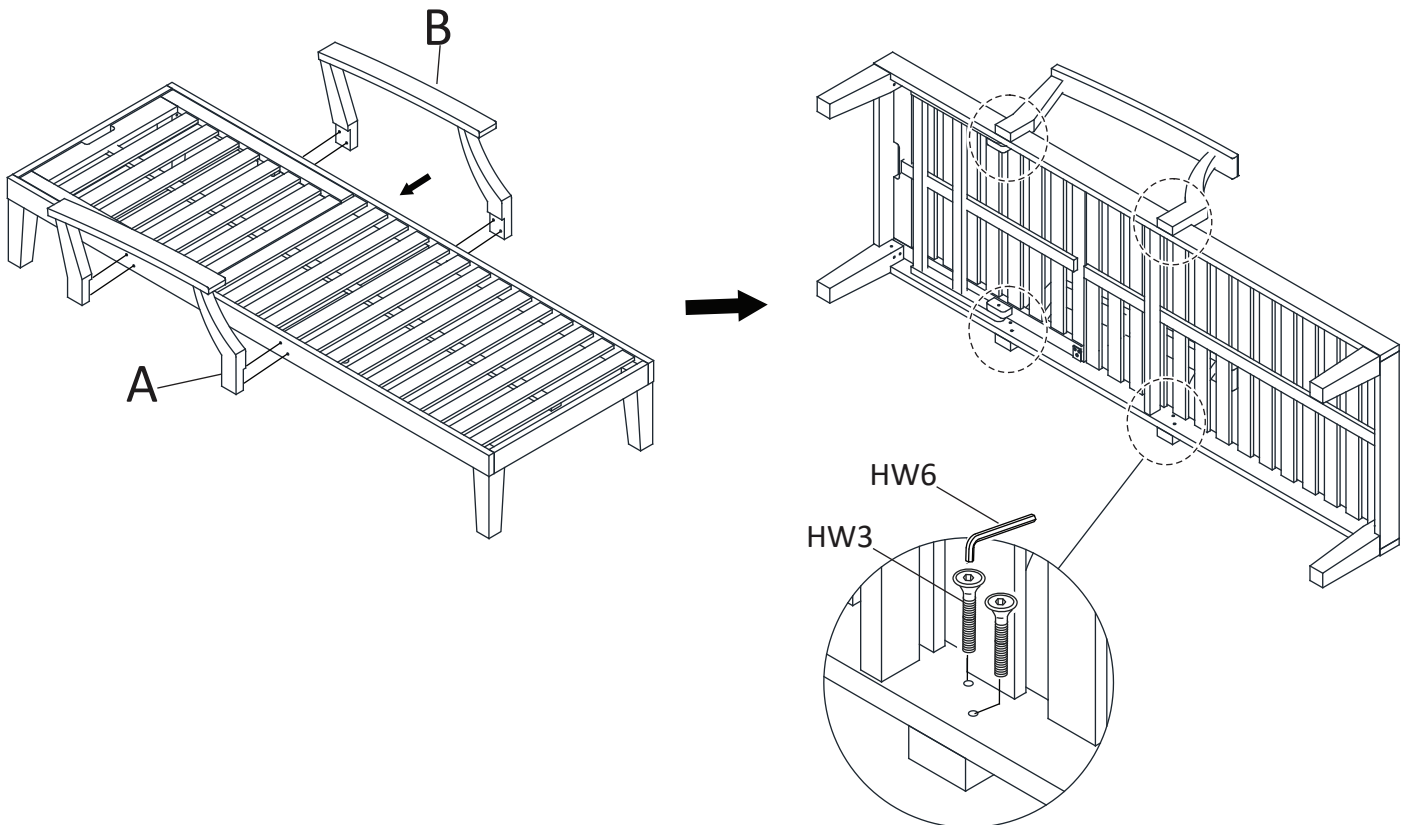
1

Attach Leg 1 (D) and Leg 2 (E) to Seat Panel (C). Use Bolts (HW1) and Spring Washer (HW4), Flat Washer (HW5) tighten with Allen Key (HW6)



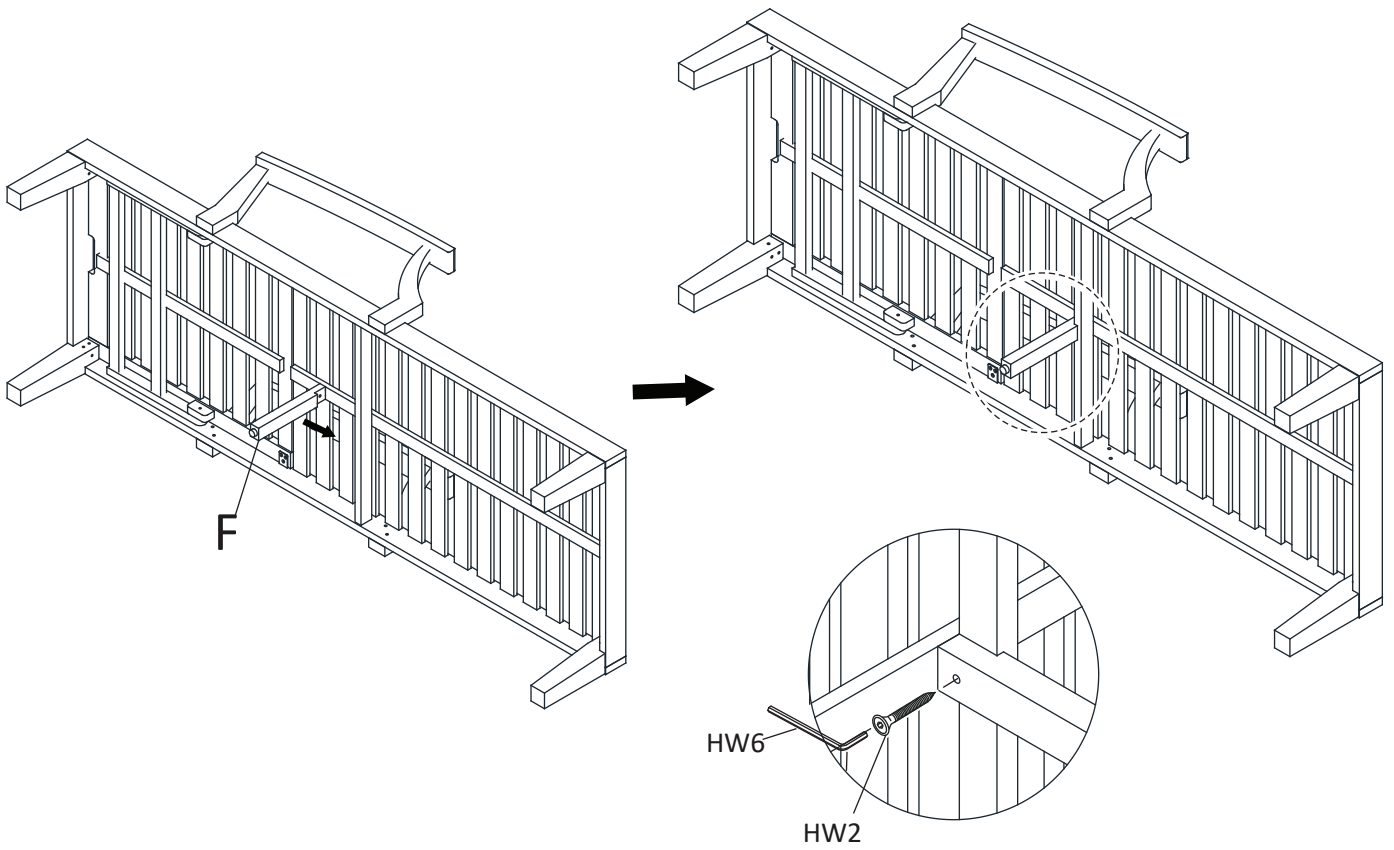
2

Attach Right Armrest (A) and Left Armrest (B) to Seat Panel (C). Use Bolts (HW2) tighten with Allen Key (HW6)



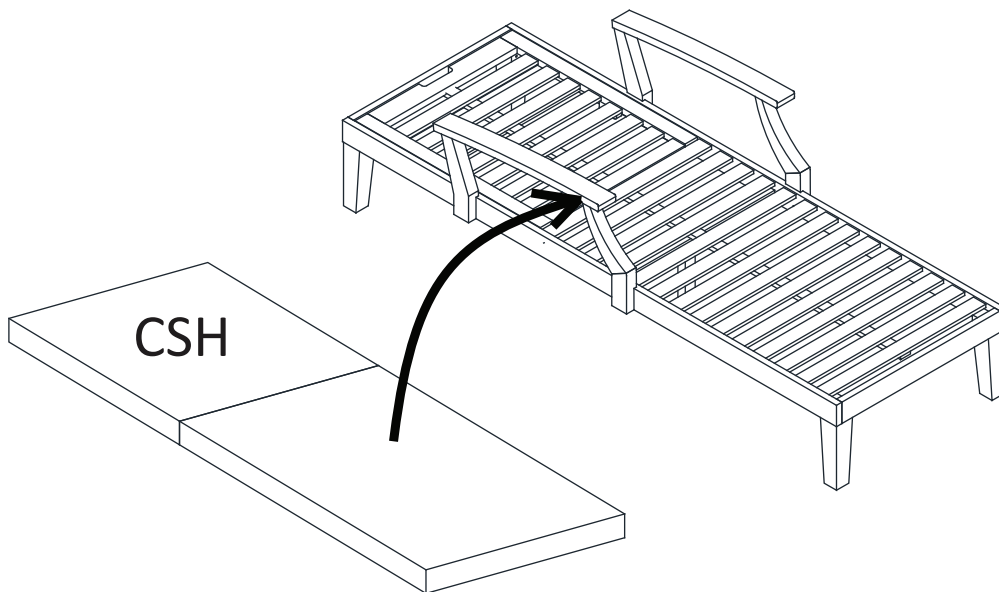
3

Attach Leg 3 (F) to Seat Panel (C). Use Screw (HW3) tighten with Allen Key (HW6)



4

Attach Ensure all screws, bolts are fully locked into position .
Attach Seat Cushion (CSH) in CHAISE LOUNGE .



Place the chaise lounge in the place where you will use it. We'd love to see it – just tag us and use the hashtag on Instagram!

