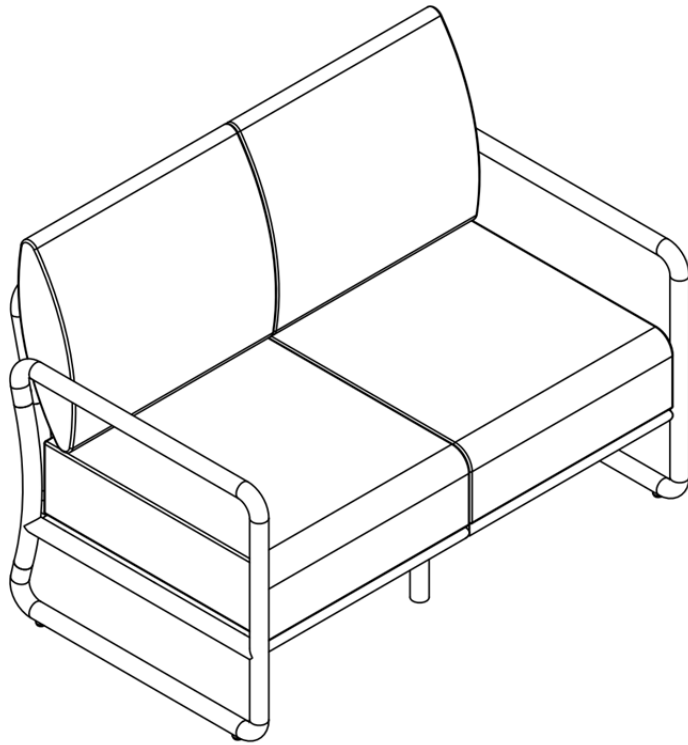


Aluminum Outdoor

USE AND CARE GUIDE

LOVESEAT



IMPORTANT

PLEASE READ BEFORE YOUR COMMENCE ASSEMBLY

Follow the guidelines in this user guide to ensure correct assembly and care for this product.

READ ALL INSTRUCTIONS BEFORE USE

When using these furnishings, always follow basic precautions, including the following:

Read all instructions before using this set.

To reduce the risk of injury to persons:

- Do not use this set on soft ground.
- Do not stand or allow children to stand on the assembled chairs, sofa, ottoman or fire pit.
- After assembly, verify that all hardware connections are secure before putting the product into use.
- Improper installation, adjustment, alteration, service or maintenance can cause injury or property damage.
- Read all installation , operation, and maintenance instructions thoroughly before installing or servicing this equipment.

PLANNING ASSEMBLY

Before beginning assembly, completely empty contents of carton and remove all packing material. Make sure all parts and hardware are present. If any parts are missing, contact the Amazon customer Service . Estimated assembly time: 30 minutes

Note: To more effectively drain the rainwater accumulated on the furniture surface, some metal frames are equipped with drain holes. During installation, one side of these drain holes should always face downwards.



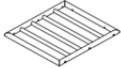













Please take photos of the SKU No, and WA label before opening the boxes. Once you find something is wrong, please send us the details with above photos. That can help us to solve the problem more quickly.

PACKAGE CONTENTS - 1PC LOVESEAT

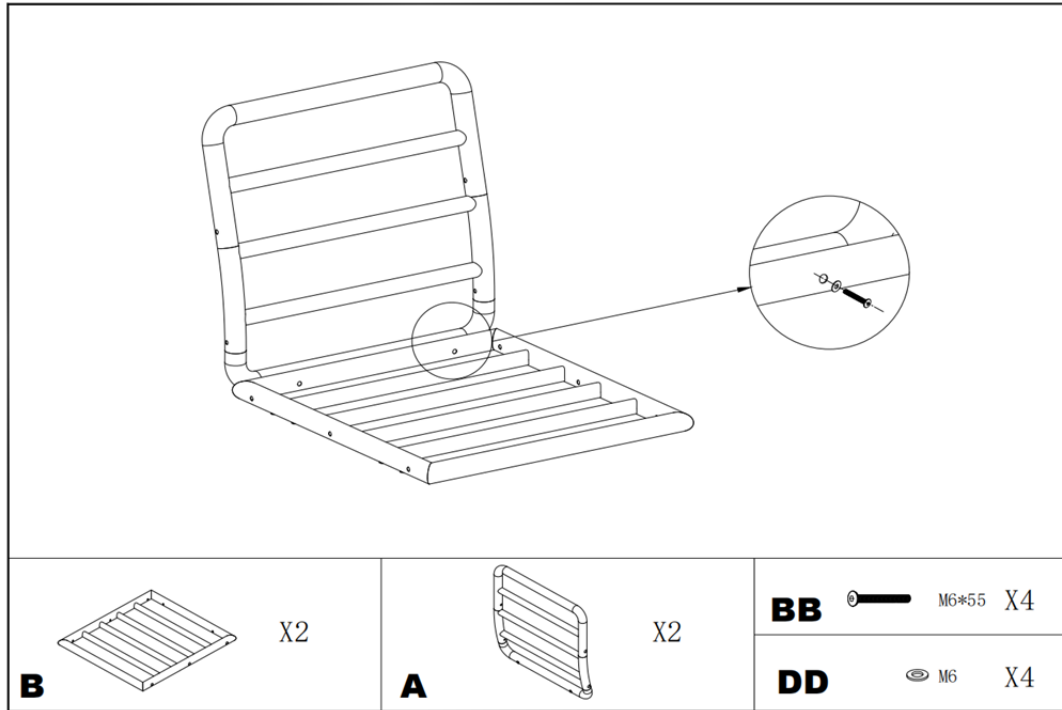
NOTE: Place all parts on a soft, nonabrasive, level surface for assembly, do not over-tighten hardware connections

LOVESEAT INSTALLATION STEPS

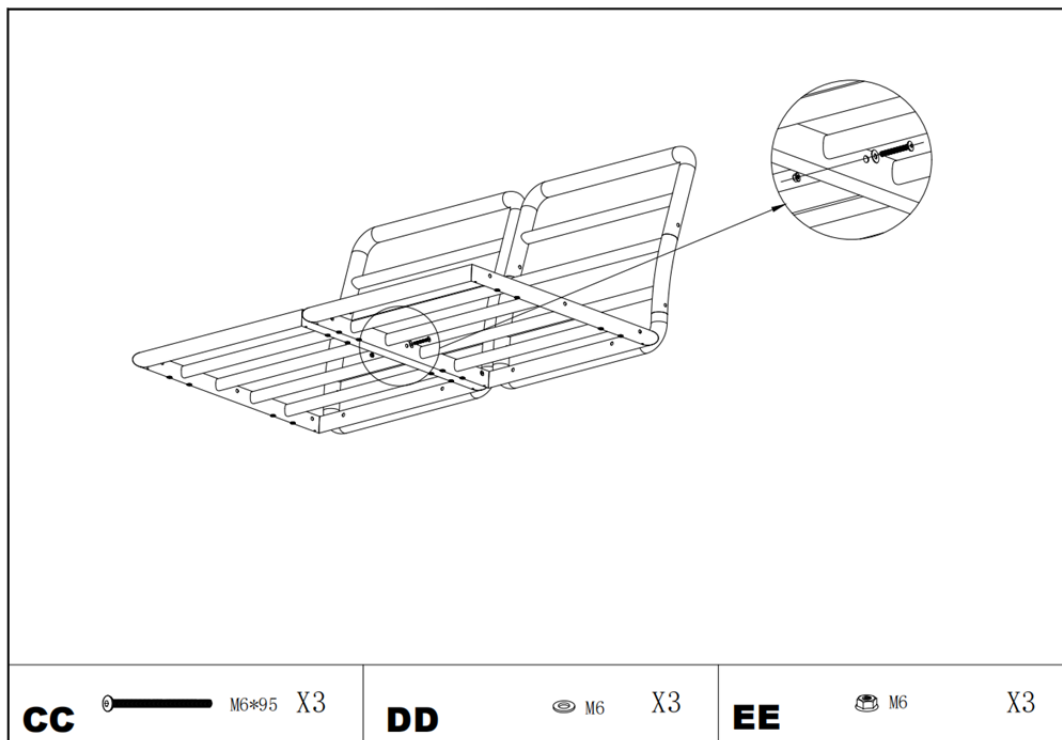
PART LIST

REF	Part Name	Description	QTY(PCS)	REF	Part Name	Description	QTY(PCS)
A	Backrest		2	AA	M6x20		8
B	Base Plate		2	BB	M6x55		14
C1	Right Armrest		1	CC	M6x95		5
C2	Left Armrest		1	DD	M6		27
D	Back Cushion		2	EE	M6		5
E	Seat Cushion		2	FF	Screw Caps		27
F	Chair Leg		2	GG	Wrench		1
G	Nut Caps		5	HH	Wrench		1

STEP 1: Attach the base plate (B) to the sofa backrest (A) with screws (BB).

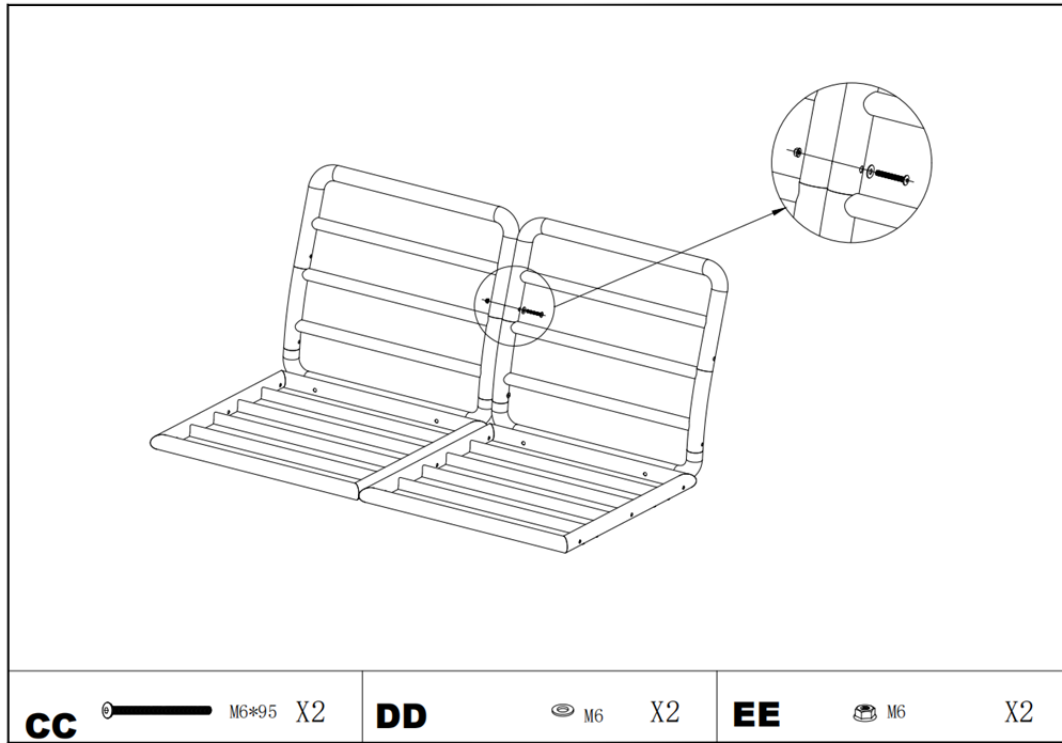


STEP 2: Connect the left and right sofa seat plates with screws (CC).

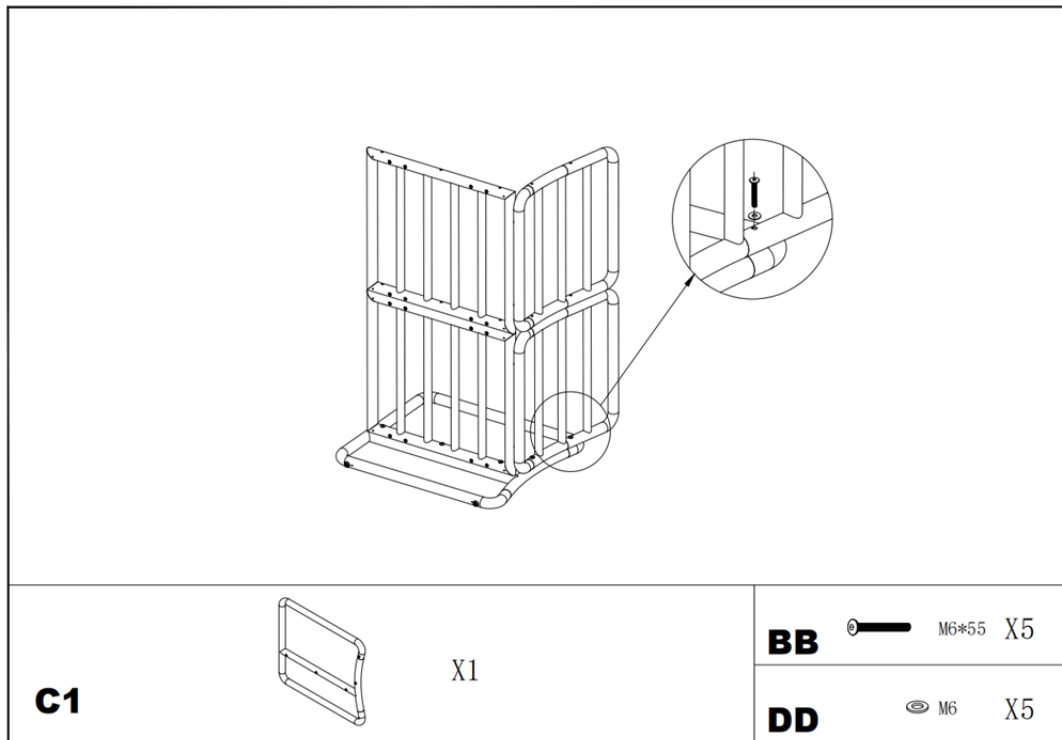


Step 3: Connect the left and right sofa backrests with screws (CC).

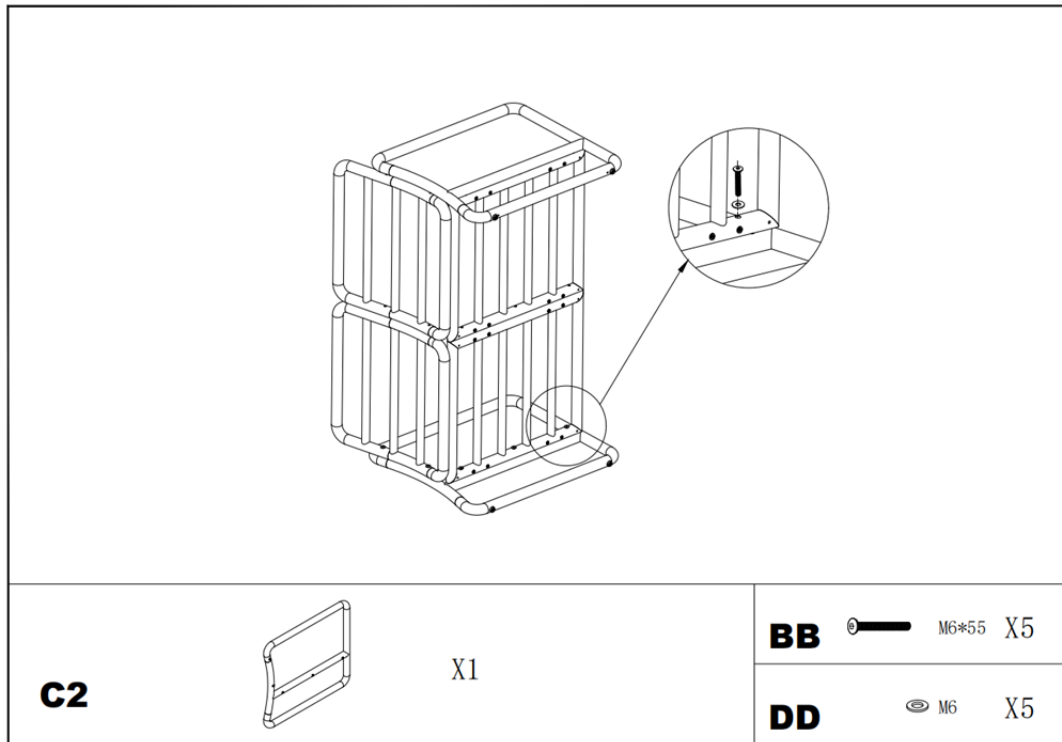
NOTE: Please tighten all screws.



Step 4: Connect the right sofa armrest (C1) to the base plate & backrest.

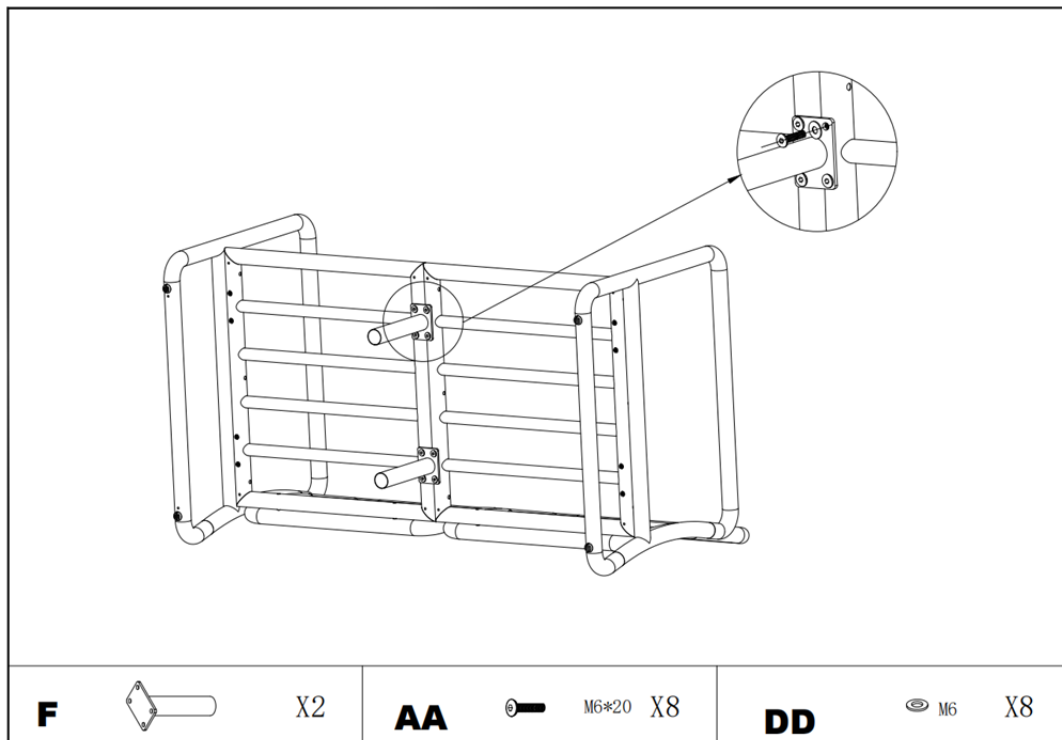


Step 5: Connect the left sofa armrest (C2) to the base plate & backrest.

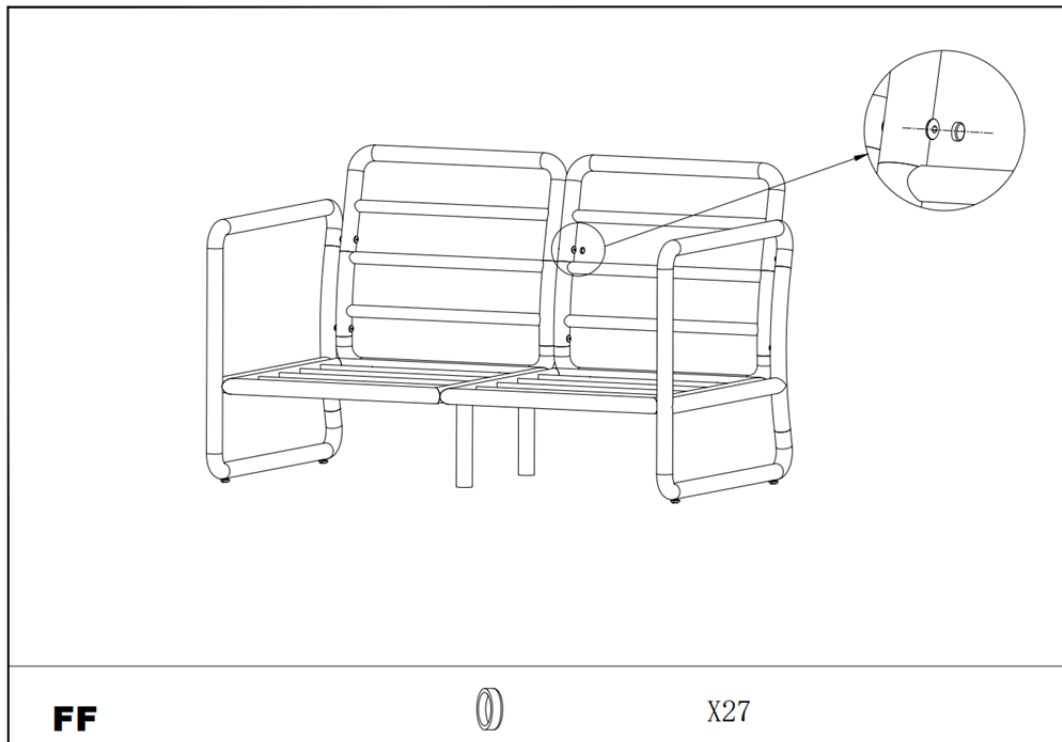


Step 6: Attach the sofa legs (F) to the sofa base with screws (AA).

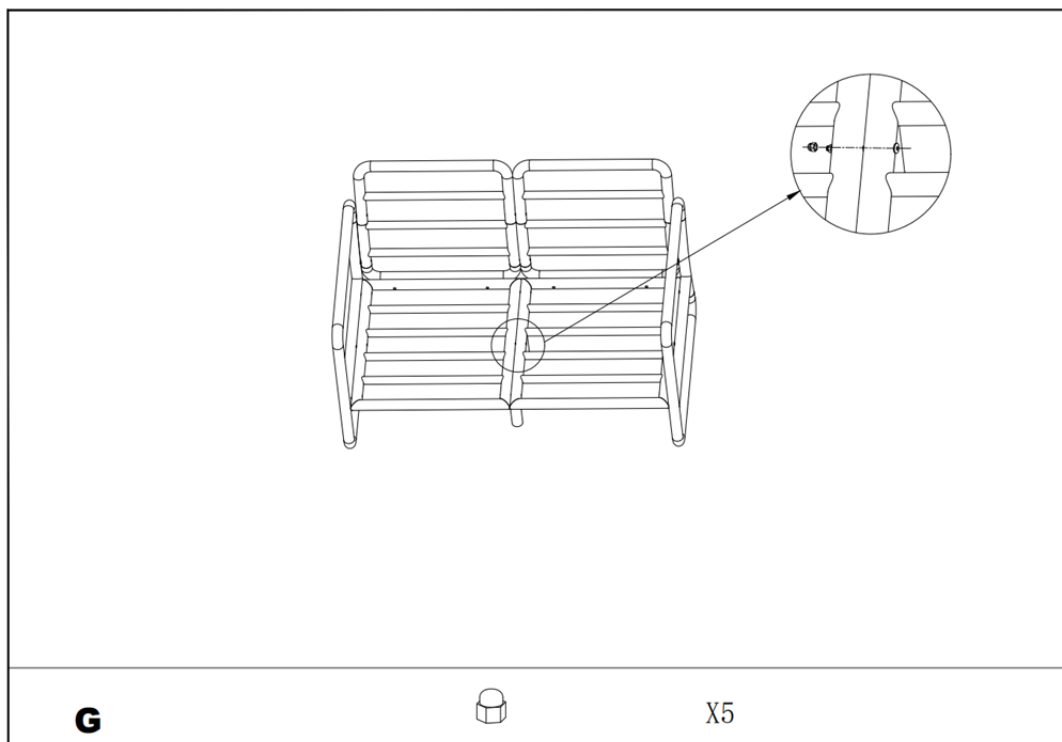
Note: Please tighten all screws.



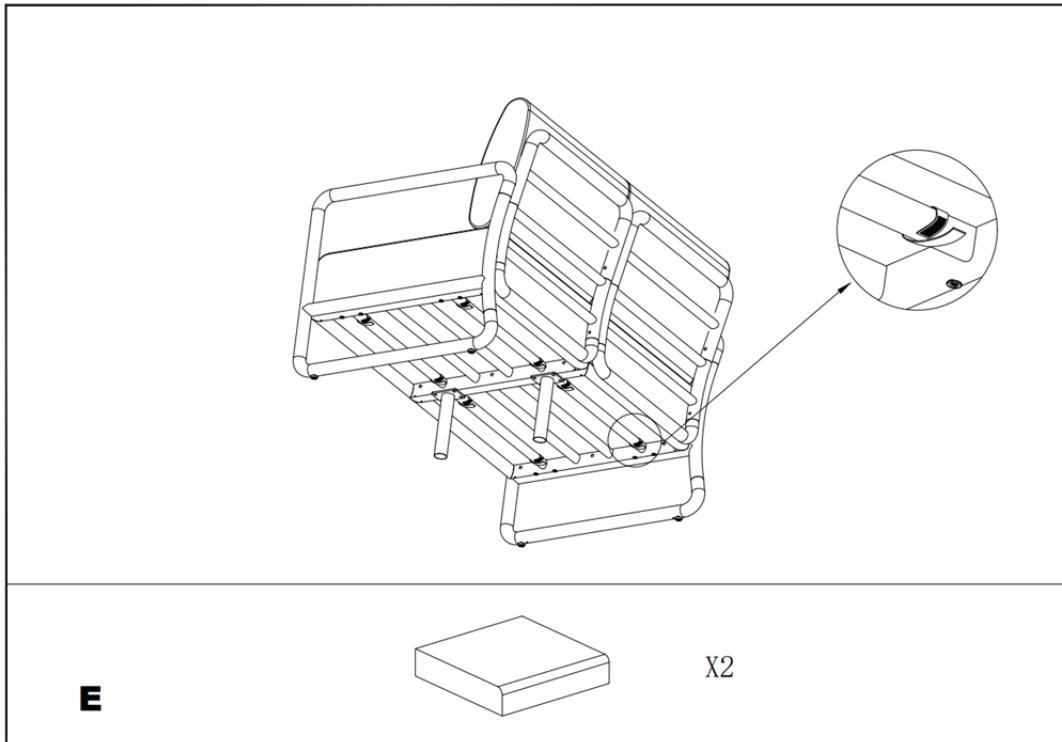
STEP 7: Put the screw caps(FF) on the screws.



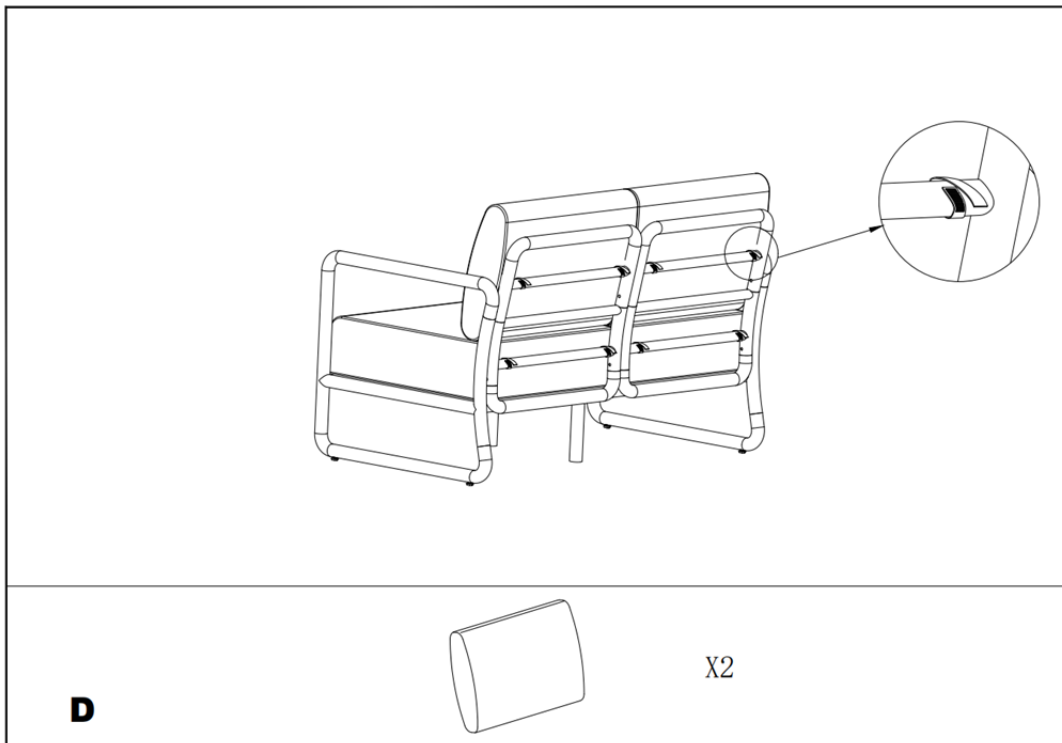
STEP 8: Put the nut caps (G) on the nuts.



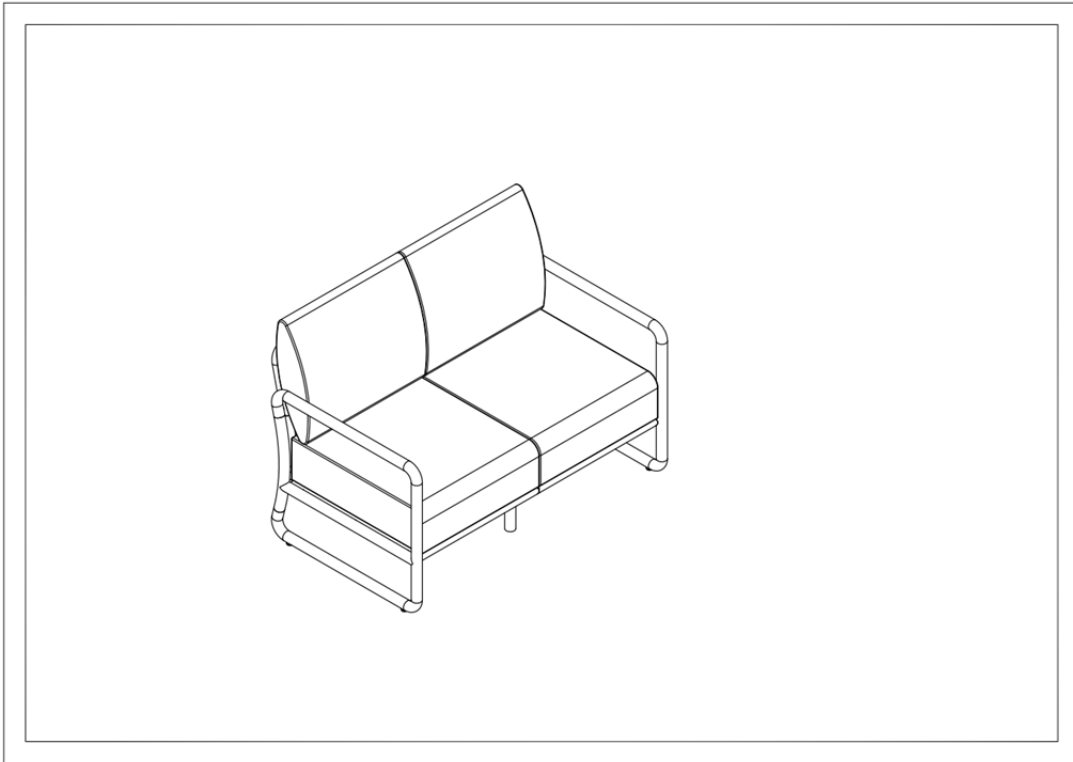
STEP 9: Place the seat cushions(E).



STEP 10: Place the back cushions(D).



Assembly is complete and the loveseat is ready for use.



CLEANING&MAINTENANCE

FRAME

Cleaning - Use mild soap and warm water. Do not use abrasive materials, cleaners, or bleach products. Rinse with clean water and dry thoroughly.

Maintenance -Periodically clean and dry thoroughly. Be sure to drain any water accumulated inside the frames. To thoroughly drain frames, remove foot caps and tilt the frames, if necessary, to remove all water. This is critical. Water allowed to accumulate inside the frames and then exposed to sub-freezing temperatures can cause damage to the frame tubing. Such damage is not covered under warranty. Always clean, drain, and dry thoroughly before storing for the winter. For best results, always store or cover your furniture when not in use.

**** When cleaning or moving large or heavy items, always have two people work together. Never drag furniture.**

FABRIC (CUSHIONS)

Cleaning - Fabric should be cleaned regularly. Brush off any loose dirt and wash with a mild soap and lukewarm water solution. For stubborn stains and mildew, wash with a solution of 236.6 ml / 1 cup of bleach and 59.2 ml / 0.25 cup of mild soap per 3.79L / 1 gallon of water. Rinse thoroughly to remove soap. Allow fabric to air dry.

Maintenance - The best way to maintain the beauty of cushions and slings is to store them in a dry area and out of the elements when not in use, or cover with commercially available outdoor furniture covers.

CUSHIONS

To ensure longevity of your patio set each seat cushion is made with high density foam. With initial use the seat cushions may feel firm, but with continued use the cushions will continue to soften and provide the ultimate comfort for seasons to come.

Cushions can become water saturated with heavy water exposure. To allow cushions to air-dry properly, follow the suggested steps:

- * Unzip cushion cover to ventilate and facilitate the drying process. Do not remove cushion covers.
- * Place cushions upright for faster drainage. Ventilation zipper should be facing down.
- * Store cushions indoors during rainy seasons and inclement weather.

