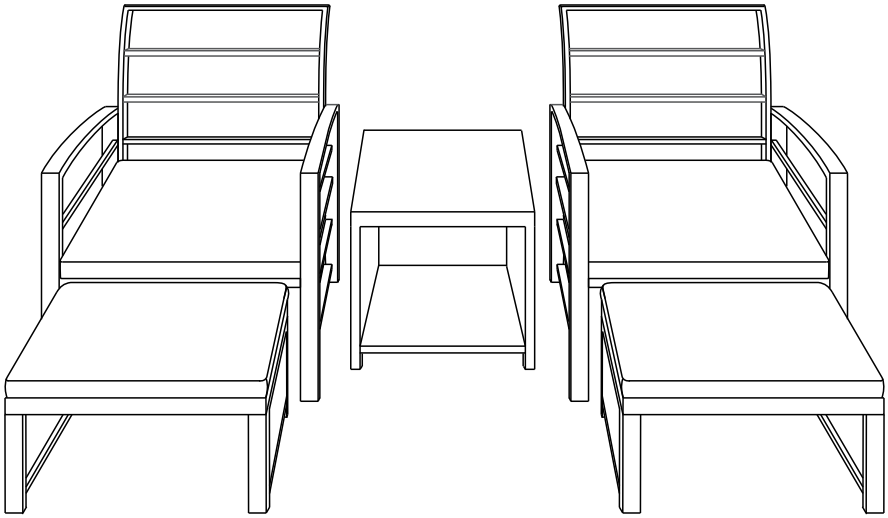


# INSTALLATION & ASSEMBLY

## Steel wicker sofa set



**Thank you for choosing us!**

Our goal is to provide high quality outdoor furniture with outstanding customer service-all at an affordable price.

Please let us know how we are doing!

**Happy?**

Please leave us a review!  
You can make others happy too!



**IMPORTANT, RETAIN FOR  
FUTURE REFERENCE.  
READ CAREFULLY.**

## **Safety**

- For domestic use only.
- Always use on firm level ground.
- Don't tighten all the bolts before the product is fully assembled.
- It would be useful to ask someone to help you assemble the product.
- Periodic structural checks of this product should be undertaken, do not use if you have any doubts about its fitness for purpose.
- Do not stand on the seat and table.
- Do not let children play with this product.

## **At the beginning of the season**

- Check to ensure that all components and fixings of this product are secure, do not use if you have any doubts about its fitness for purpose.

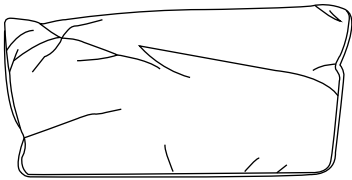
## **At the end of the season**

- This product should be stored under cover during prolonged spells of adverse weather (wet or cold) and also during the winter (ideally in a garden shed or garage).
- Always clean and dry thoroughly before storage.

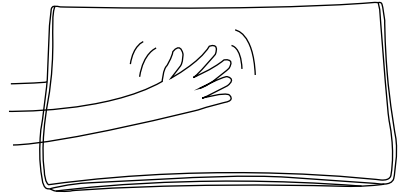
# Tips for Cushions

In order to compress the package, we put the cushions in the gap of some parts. So there may be crinkle on the fabric. Don't worry. Just flap every corner of the cushion evenly and it will get back into its original shape soon.

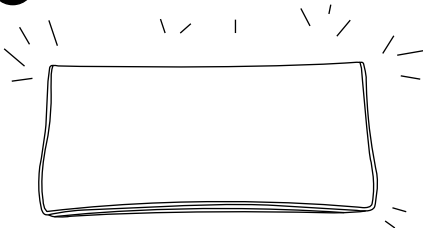
**1**



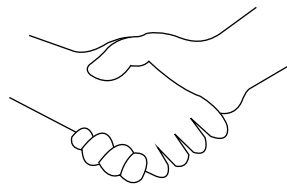
**2**






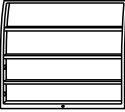
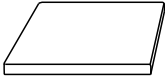



**3**



**OK**



## COMPONENT LIST - ARMCHAIR\*2

Item no.	Reference Image	Description	Qty.
A		Right Armrest	1
B		Left Armrest	1
C		Seat Base	1
D		Seat Back	1
E		Seat Cushion	1
O		M6*35 Head Cap Screws	9
Q		Washer	9
R		Allen Key	1

**NOTE:**

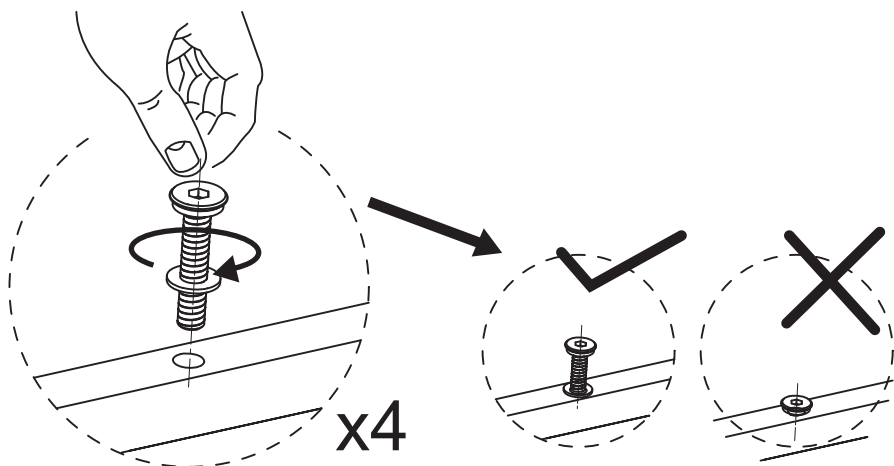
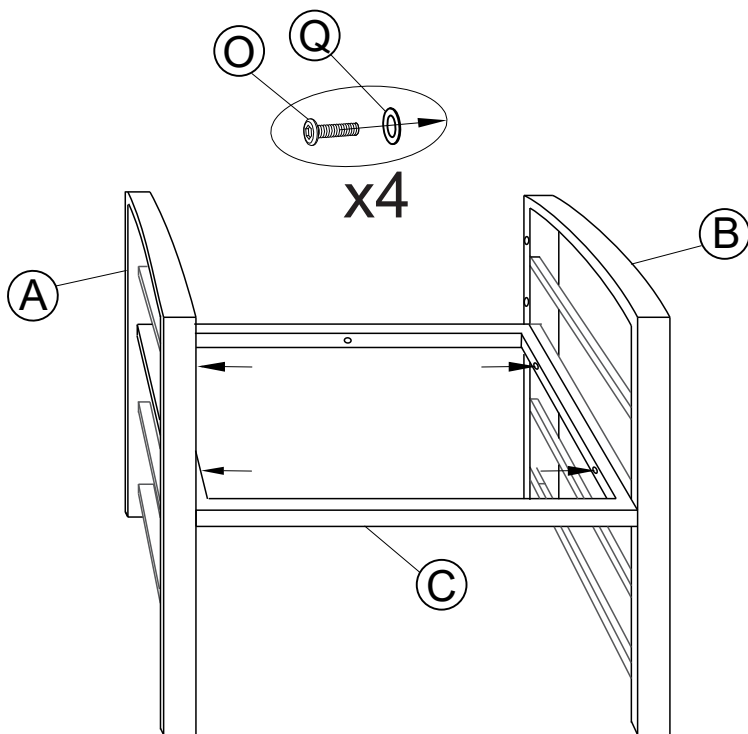
Do NOT tighten any screws fully first until you have tightened all the screws.

This may cause the frame to warp.

If there is still wobbles or screw holes cannot be aligned, loosen the screws and tighten sequentially.

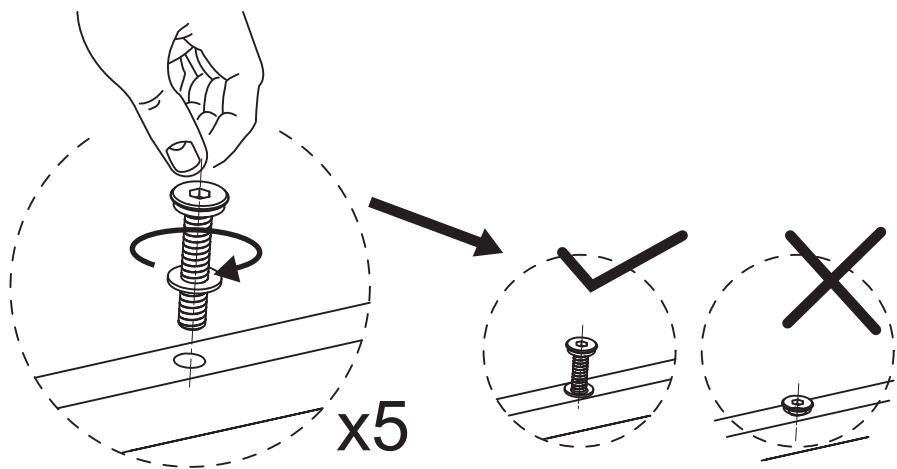
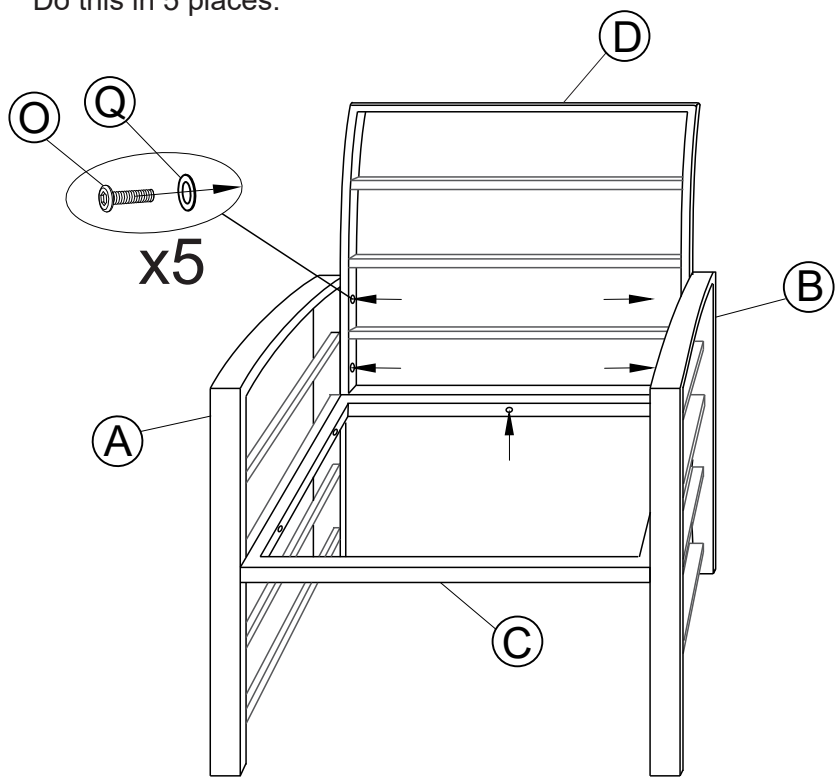
If the Armchair is not stable it could lead to damage to the product.

- 1 Attach the Seat Base (C) to the Armrests (A) & (B) by securing with M6\*35 Head Cap Screws (O) and Washers (Q). Do this in 4 places.



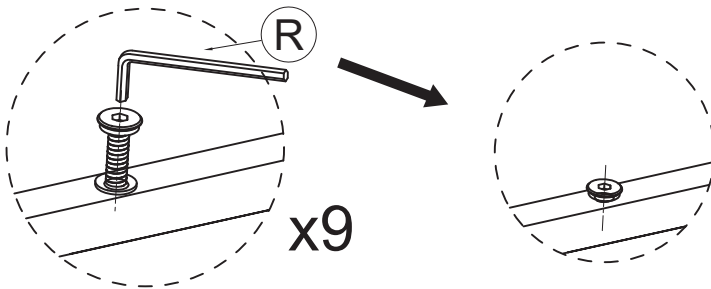
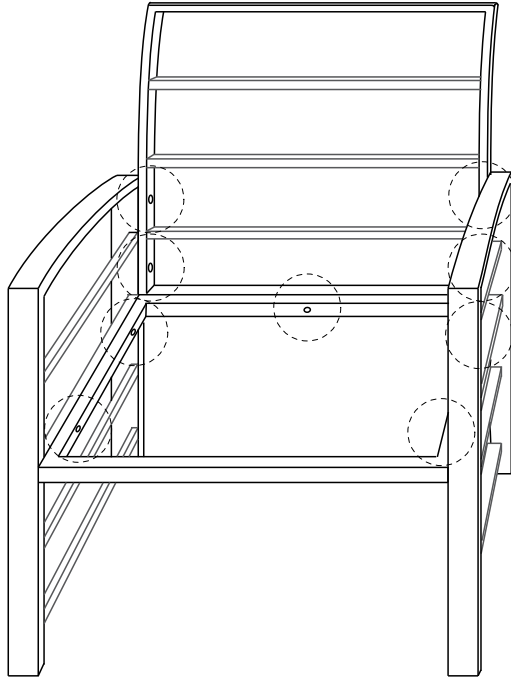
**NOTE: DO NOT TIGHTEN THE SCREWS COMPLETELY.**

- 2** Attach the Seat Back (D) to the Armrests (A) & (B) & the Seat Base (C) by securing with M6\*35 Head Cap Screws (O) and Washers (Q). Do this in 5 places.



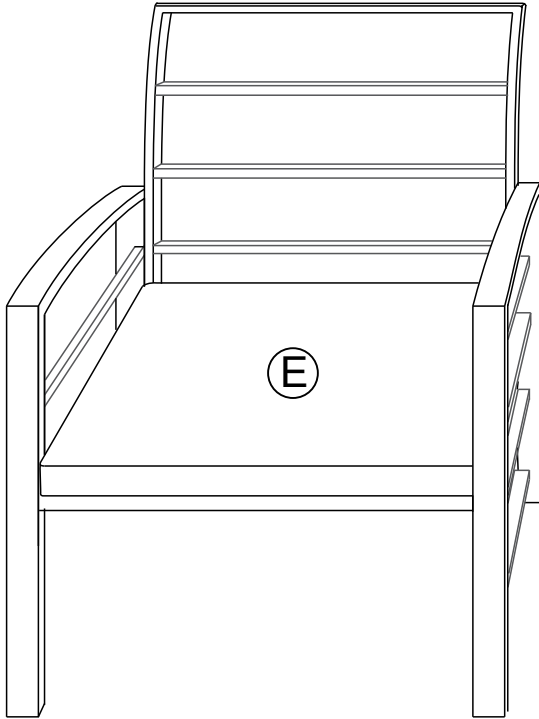
**NOTE: DO NOT TIGHTEN THE SCREWS COMPLETELY.**

**3** Tighten all 9 Screws into place with Allen Key (R).

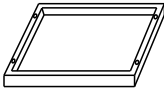

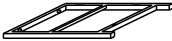
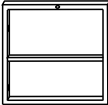
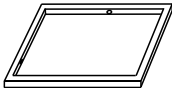





**NOTE:**IF ANY SCREW HOLES CANNOT BE ALIGNED, LOOSEN ALL THE SCREWS AND GO BACK STEP 1 AND RESTART ASSEMBLY.

- 4 Place Seat Cushion (E) on the chair and your chair is ready for use.



## COMPONENT LIST - TABLE

Item no.	Reference Image	Description	Qty.
F		Table Top	1
G		Left Panel	1
H		Right Panel	1
I		Side Panel	1
J		Bottom Panel	1
O		M6*35 Head Cap Screws	11
Q		Washer	11
R		Allen Key	1

**NOTE:**

Do NOT tighten any screws fully first until you have tightened all the screws.

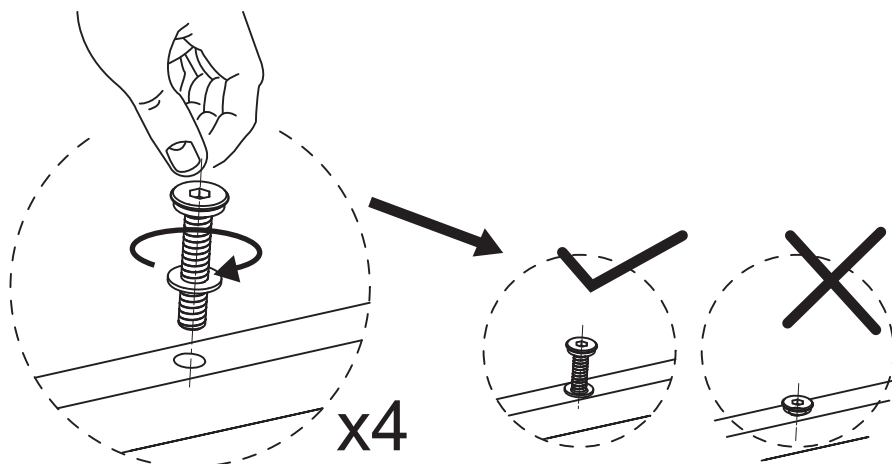
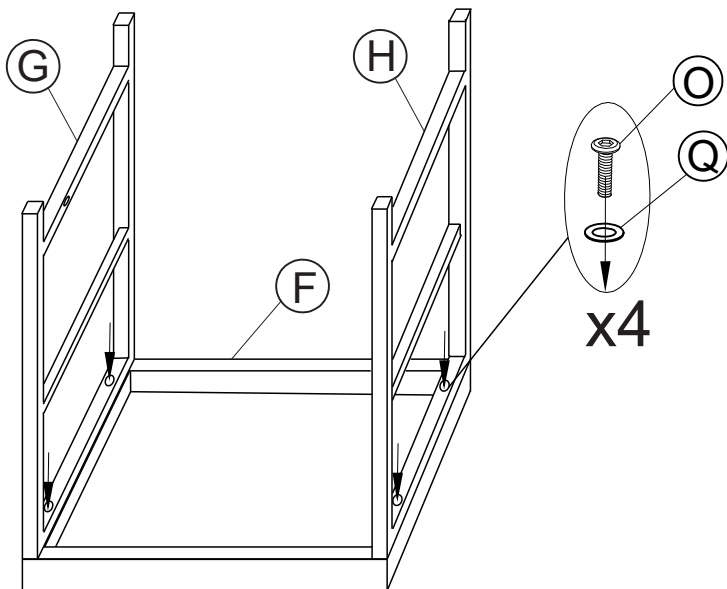
This may cause the frame to warp.

If there is still wobbles or screw holes cannot be aligned, loosen the screws and tighten sequentially.

If the Table is not stable it could lead to damage to the product.

1

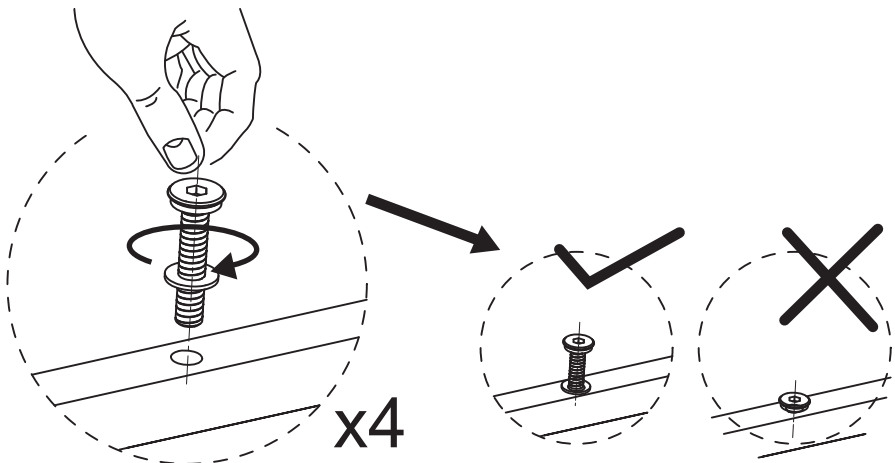
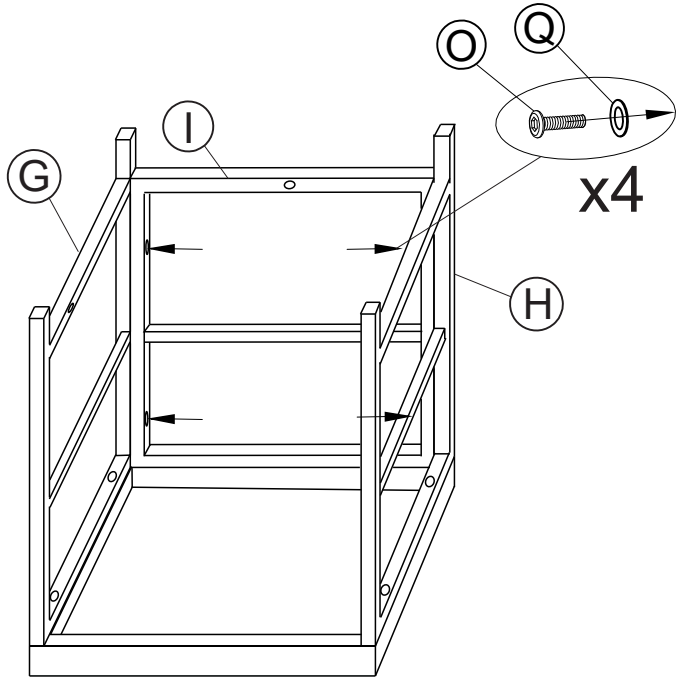
Attach the Panels (G) & (H) to the Table Top (F) by securing with M6\*35 Head Cap Screws (O) and Washers (Q). Do this in 4 places.



**NOTE: DO NOT TIGHTEN THE SCREWS COMPLETELY.**

2

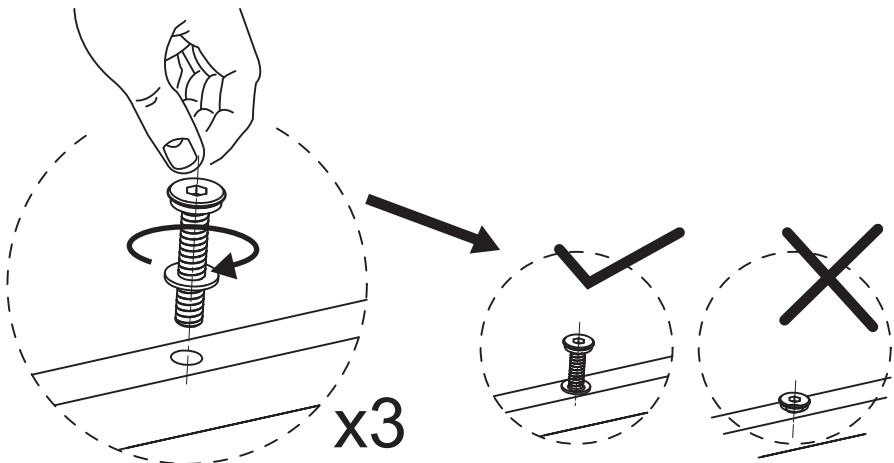
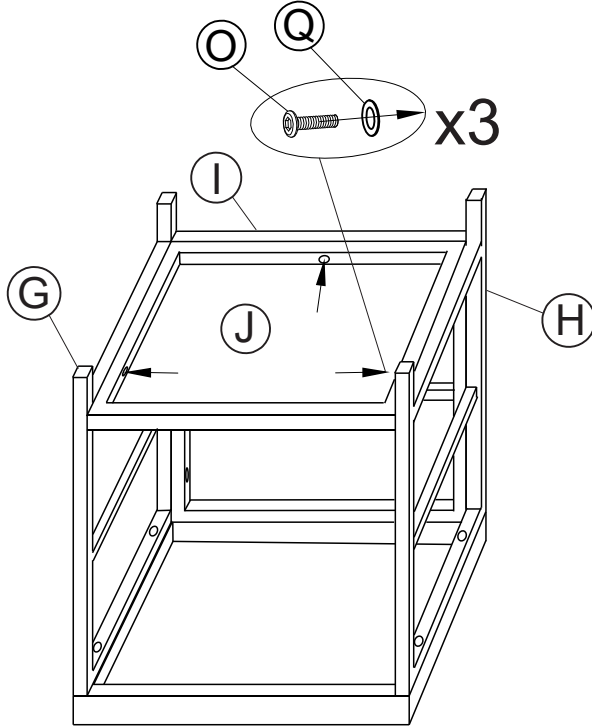
Attach the Side Panel (I) to the Panels (G) & (H) by securing with M6\*35 Head Cap Screws (O) and Washers (Q). Do this in 4 places.



**NOTE: DO NOT TIGHTEN THE SCREWS COMPLETELY.**

3

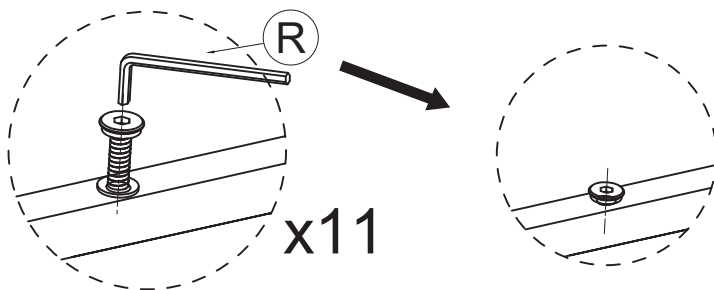
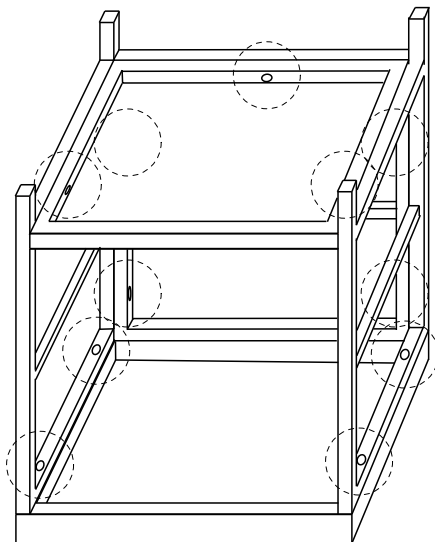
Attach the Bottom Panel (J) to the Panels (G) & (H) & (I) by securing with M6\*35 Head Cap Screws (O) and Washers (Q). Do this in 3 places.



**NOTE: DO NOT TIGHTEN THE SCREWS COMPLETELY.**

4

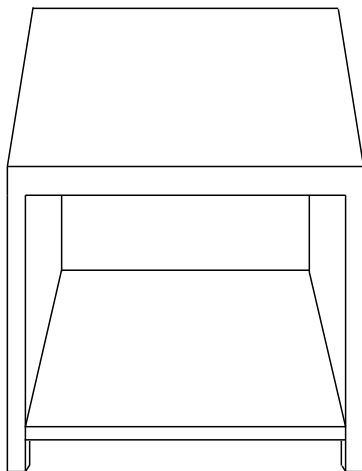
Tighten all 11 Screws into place with Allen Key (R).










**NOTE:**IF ANY SCREW HOLES CANNOT BE ALIGNED, LOOSEN ALL THE SCREWS AND GO BACK STEP 1 AND RESTART ASSEMBLY.

5

Place the table on a level surface and your table is ready for use.



## COMPONENT LIST - OTTOMAN\*2

Item no.	Reference Image	Description	Qty.
K		Ottoman Top	1
L		Side Panel	2
N		Seat Cushion	1
O		M6*35 Head Cap Screws	4
P		M6*20 Head Cap Screws	4
Q		Washer	8
R		Plastic Washer	4

**NOTE:**

Do NOT tighten any screws fully first until you have tightened all the screws.

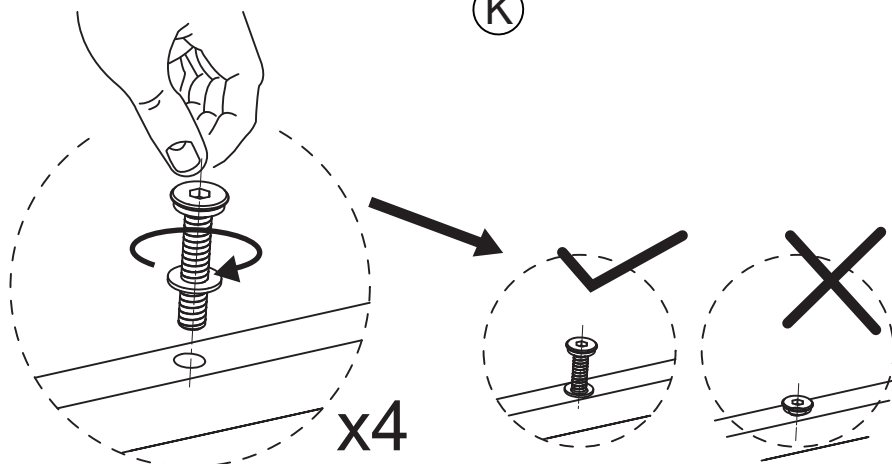
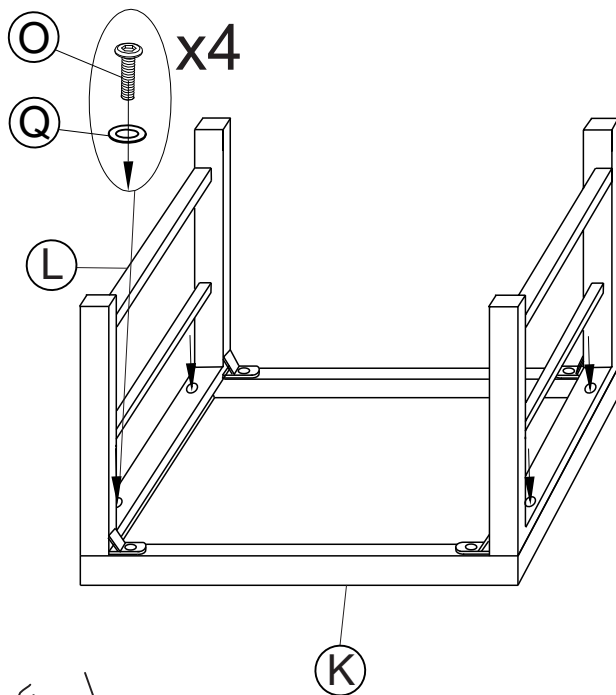
This may cause the frame to warp.

If there is still wobbles or screw holes cannot be aligned, loosen the screws and tighten sequentially.

If the Ottoman is not stable it could lead to damage to the product.

1

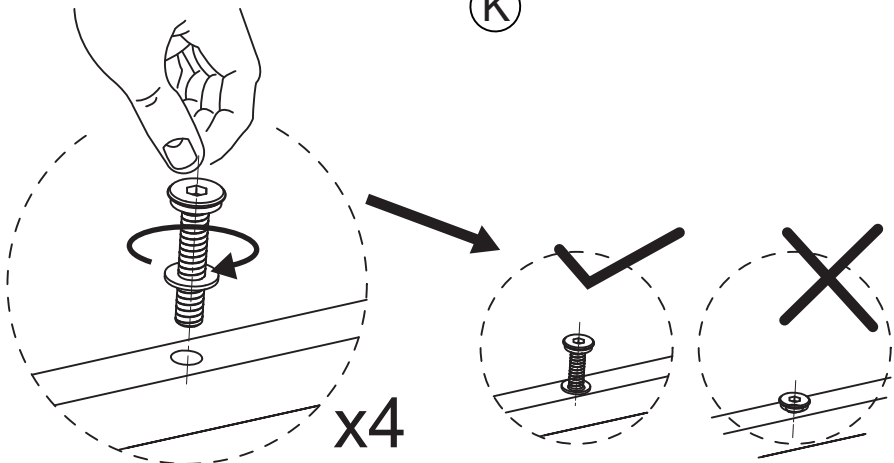
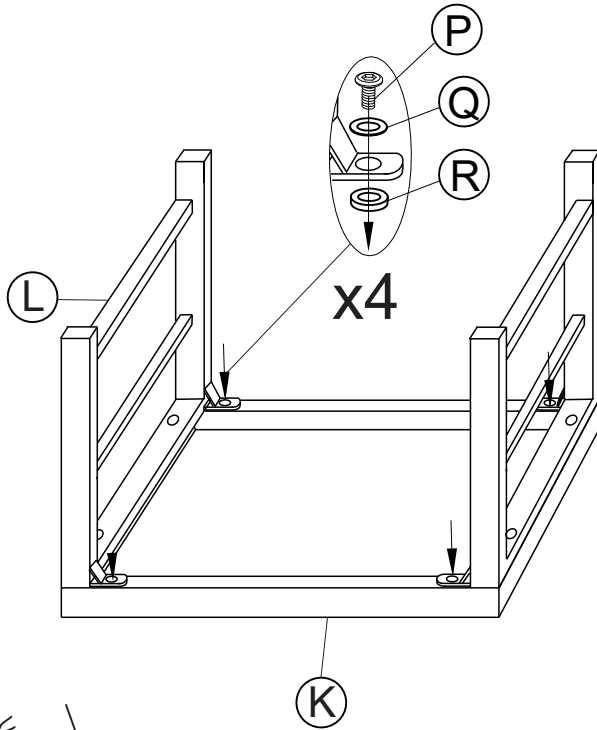
Attach the Side Panels (L) to the Ottoman Top (K) by securing with M6\*35 Head Cap Screws (O) and Washers (Q). Do this in 4 places.



**NOTE: DO NOT TIGHTEN THE SCREWS COMPLETELY.**

2

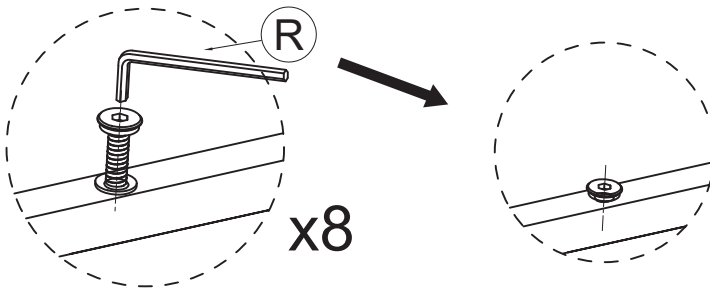
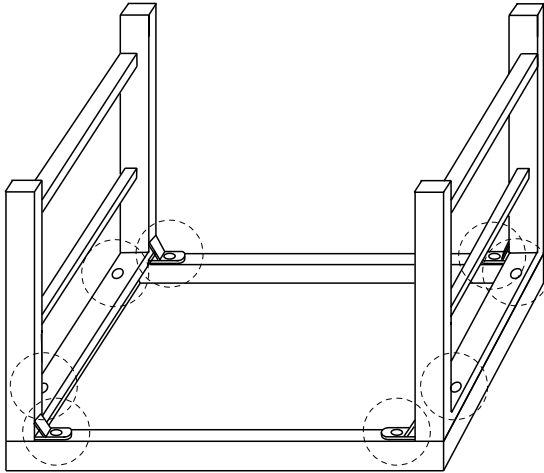
Attach the Side Panels (L) to the Ottoman Top (K) by securing with M6\*20 Head Cap Screws (P) and Washers (Q) and Plastic Washer (R). Do this in 4 places.



**NOTE: DO NOT TIGHTEN THE SCREWS COMPLETELY.**

3

Tighten all 8 Screws into place with Allen Key (R).



**NOTE:**IF ANY SCREW HOLES CANNOT BE ALIGNED, LOOSEN ALL THE SCREWS AND GO BACK STEP 1 AND RESTART ASSEMBLY.

4

Place Seat Cushion (N) on the ottoman and your ottoman is ready for use.

