

# Assembly Instructions

Caution : You must read this before you proceed

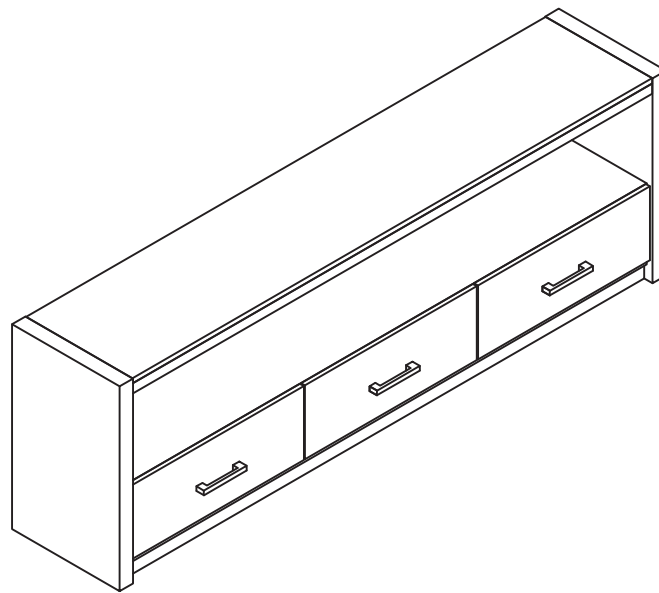
## Care & Maintenance

- ⊘  • Not for commercial use. For residential use only.
  - ✓  • Furniture may scratch floors. We recommend using furniture pads to protect your floors.
  - ⊘  • Do not put hot items directly on furniture surface.
  - ⊘  • Do not clean furniture with harsh cleansers or polish.
  - ⊘  • Do not place furniture under direct sunlight.
  - ⊘  • Do not place furniture near heating or cooling vents.
  - ⊘  • Do not write on furniture without a padded barrier to protect the surface.
  - ⊘  • Do not place furniture outside . For indoor use only.
  - ⊘  • Stains may be removed with mild soap solution and damp cloth.
  - ⊘  • Children should not climb or jump on the furniture.
- ✓  • Dust and pick-up spills using a clean, non-colored, lint-free cloth.

Please look in carton for hardware packs and legs.

Sets often ship in multiple boxes and may arrive a day or two apart.










## Console Table



### Parts List

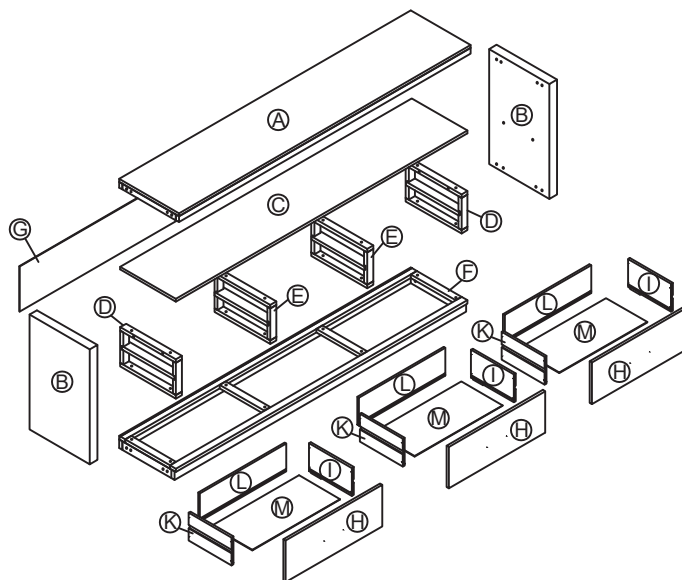
Label	Picture	Description	QTY
A		<b>Top frame</b>	1
B		<b>Side panel</b>	2
C		<b>Middle shelf</b>	1
D		<b>Side link frame</b>	2
E		<b>Middle link frame</b>	2
F		<b>Bottom frame</b>	1
G		<b>Back board</b>	1
H		<b>Drawer front panel</b>	3
I		<b>Right Drawer Control Panel</b>	3
K		<b>Left Drawer Control Panel</b>	3
L		<b>Drawers back board</b>	3
M		<b>Drawer bottom board</b>	3








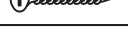
## Restraint Device Hardware

Label	Picture	Description	QTY
1		Bolts (M6x30MM)	28
2		Spring Washer (Ø1/4*10MM)	28
3		Flat Washer(Ø1/4"x16MM)	28
4		Wood dowel (Ø8*30MM)	8
5		Allen key (60*22*4MM)	1
6		Drawer handle	3
7		Bolts (5/32"x30MM)	6
8		Wood screws(Ø4*25MM)	24
9		ASSEMBLY TOOLS REQUIRED ( NOT INCLUDED)	1

## Assembly Preparation

Before Beginning Assembly:



	① x 28
	② x 28
	③ x 28
	④ x 8
	⑤ x 1
	⑥ x 3
	⑦ x 6
	⑧ x 24



- Read instructions, cover to cover-



- Have 2 adults on hand for assembly-



- Do not assemble on flooring or carpet-



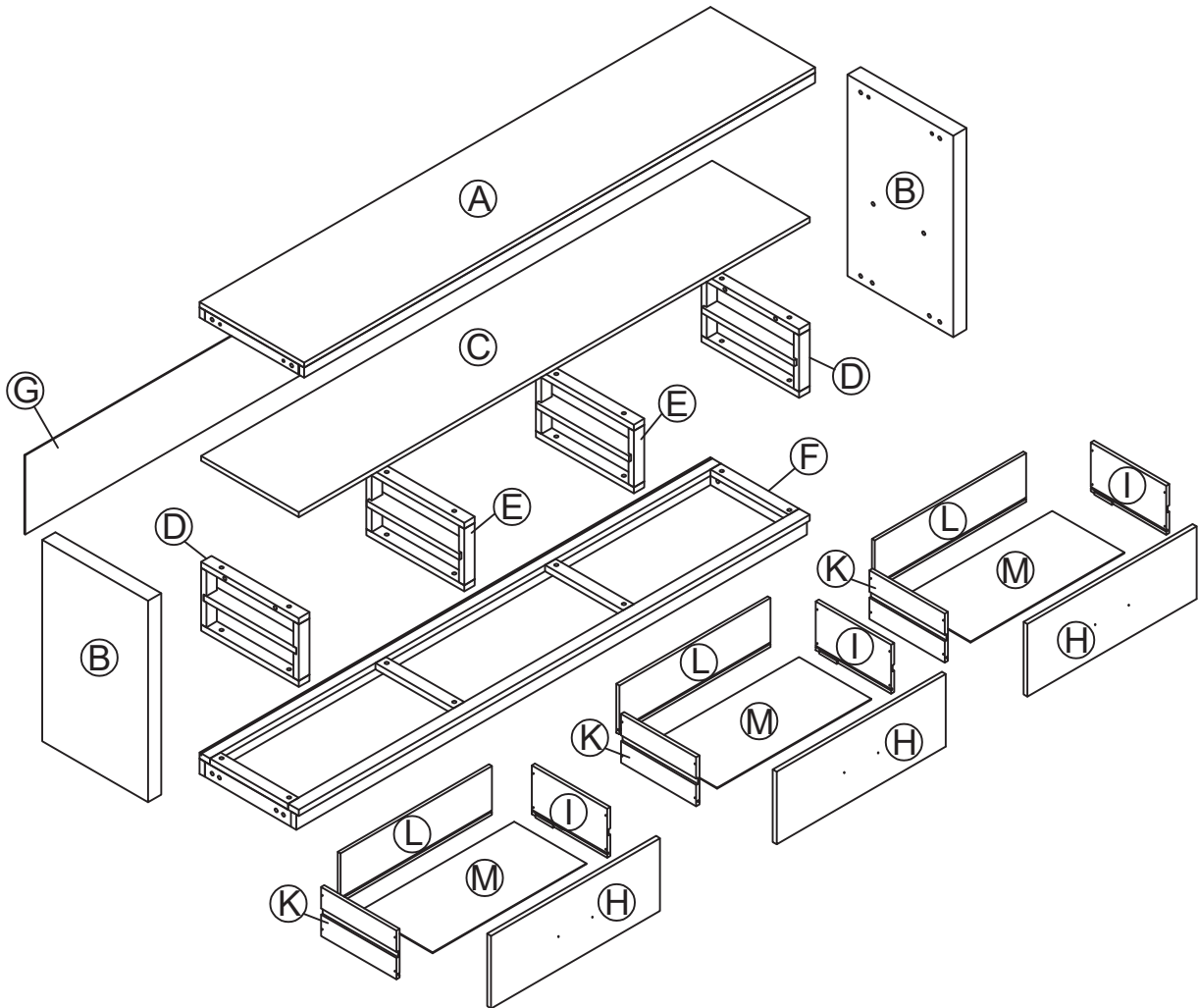
- Assemble on a clean non-marring surface (packing foam)-



- Save all packaging until finished-





# Assembly Steps

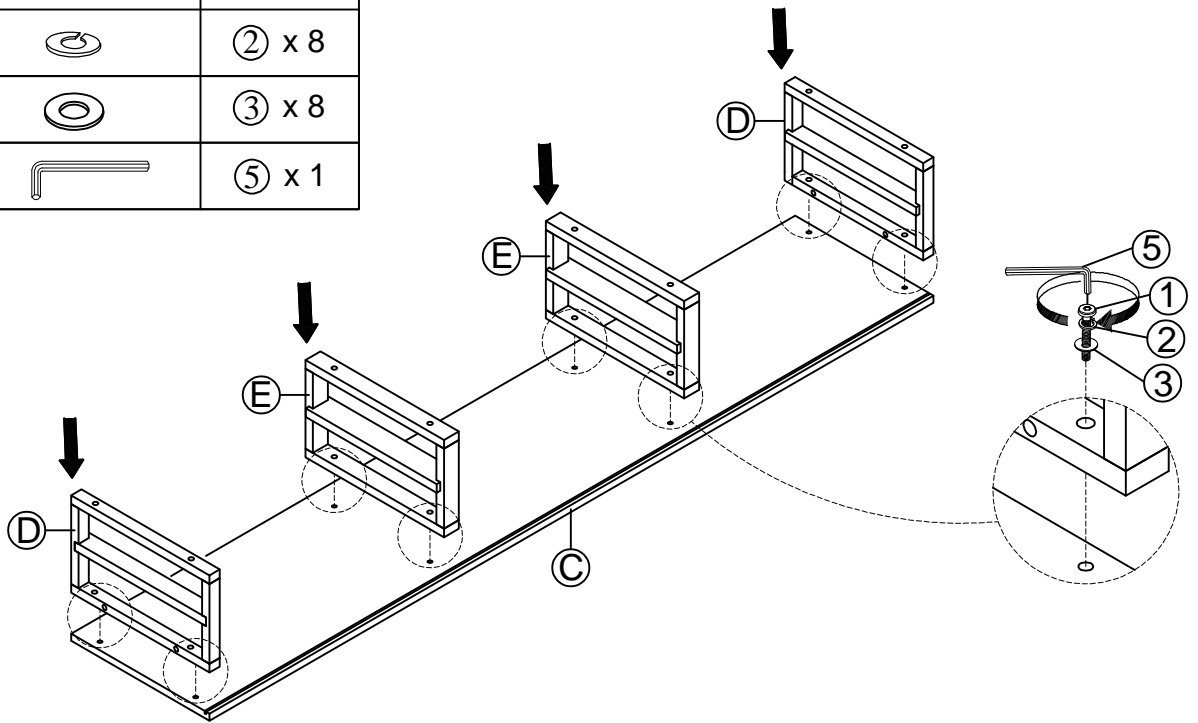
## Overview



This TV STAND has multiple parts and may require up to 60 minutes to assemble. To give you an overview of the Chair parts, the above picture is to help you put the various parts into perspective. Please read through the instructions below to familiarise yourself with the parts and steps before assembly.

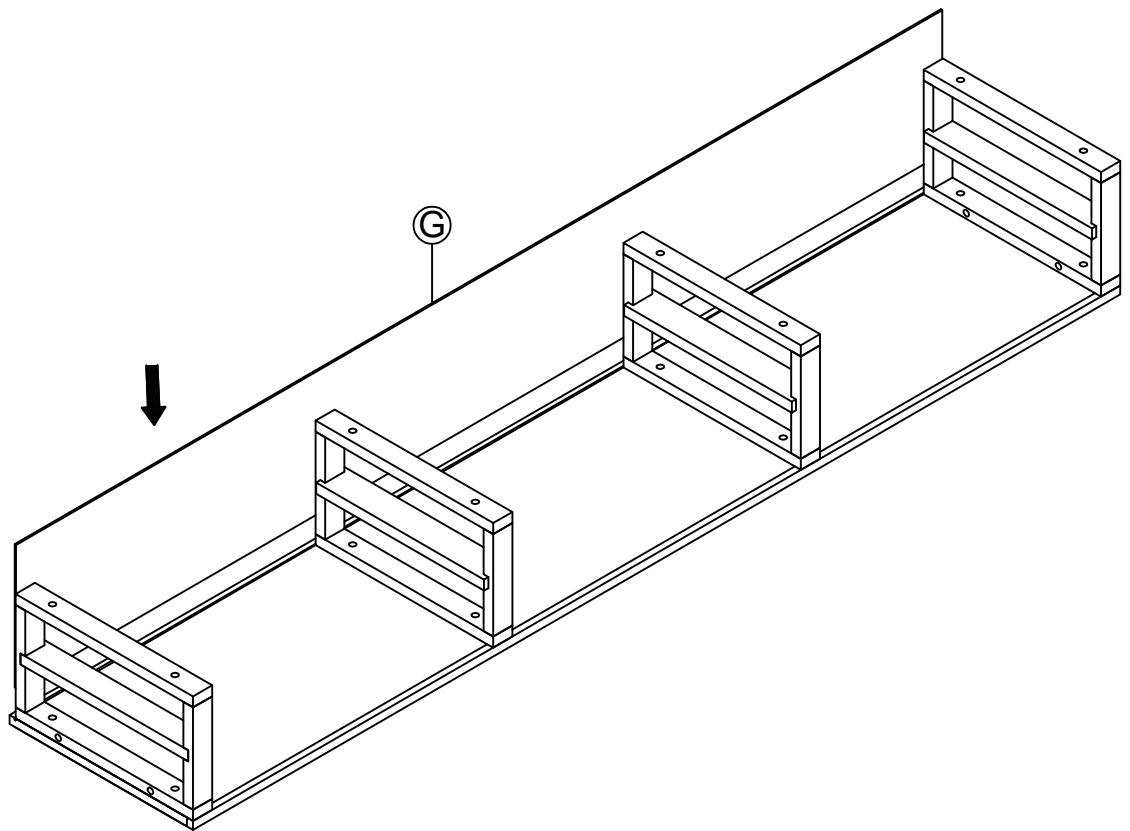
**STEP: 1**

	① x 8
	② x 8
	③ x 8
	⑤ x 1







Attach the Middle shelf (C) to the Side link frame (D) Middle link frame (E), using the bolts (1), spring washers (2), flat washers (3), Allen key (5). **Do not fully tighten Bolts at this time.**

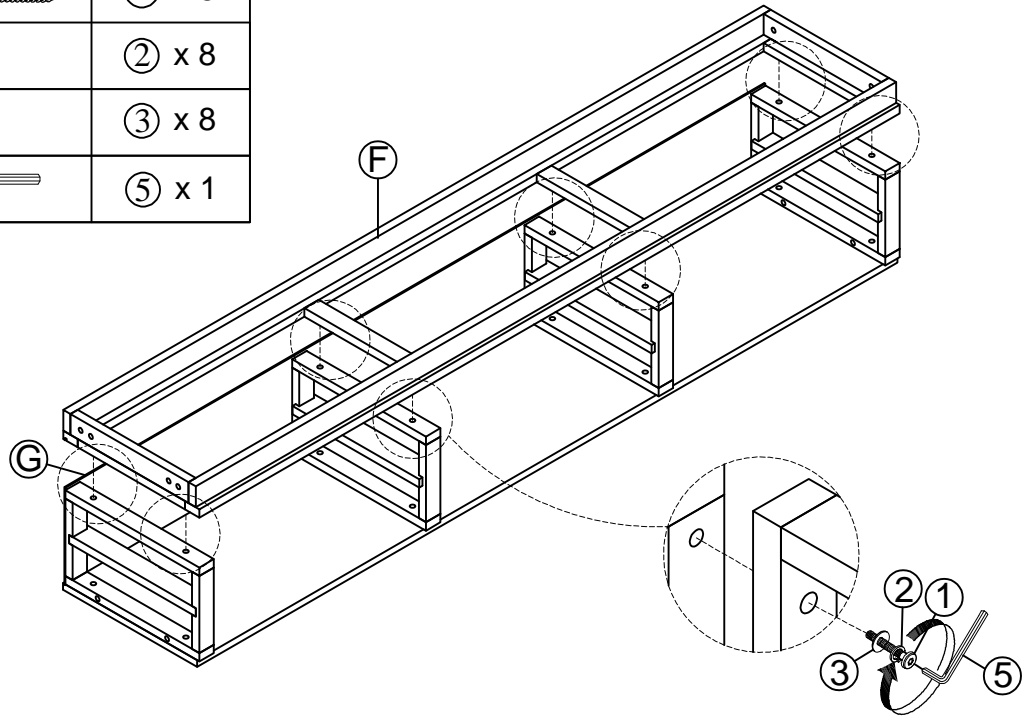
**STEP: 2**



Assemble the Back board (G), into the part in step (1)

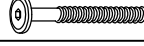


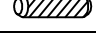

**STEP: 3**

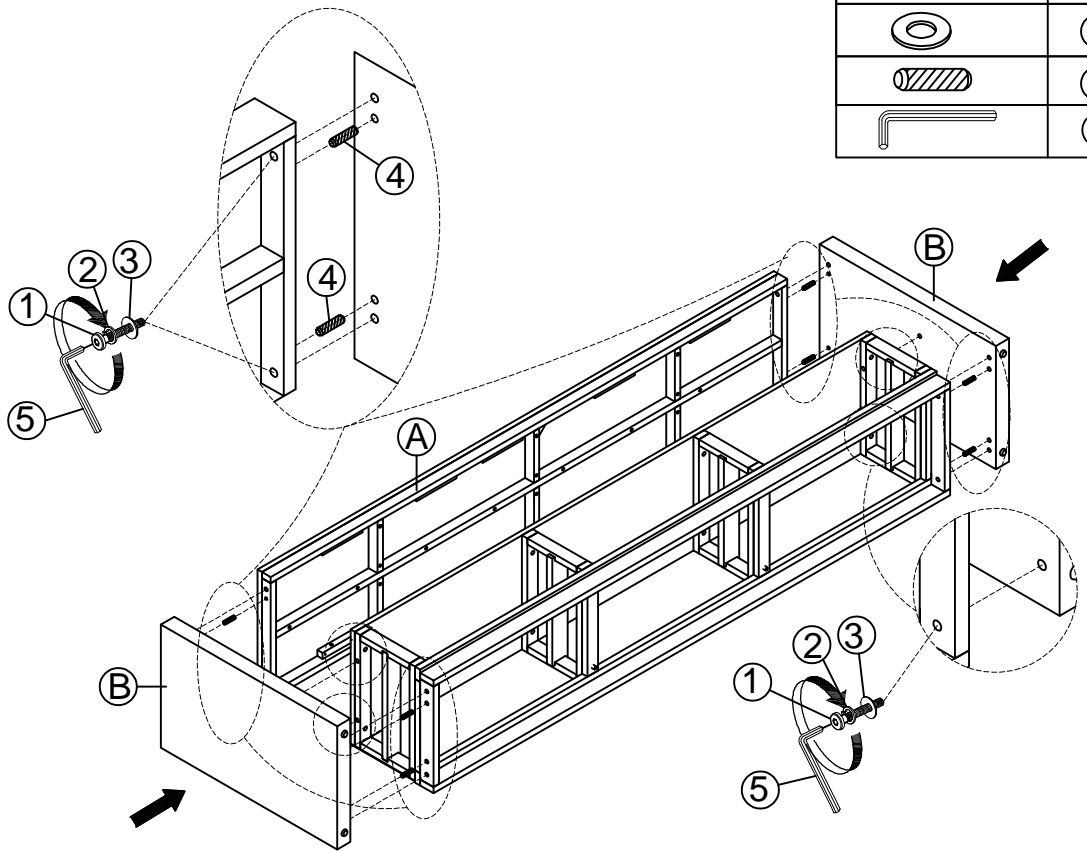
	① x 8
	② x 8
	③ x 8
	⑤ x 1



Assemble the bottom frame (F), into the unit in step (2), using bolts (1), spring washers (2), flat washers (3), Allen keys (5) Align the back panel (F) into the groove on the Bottom Frame (F). **Do not fully tighten Bolts at this time.**

**STEP: 4**

	① x 12
	② x 12
	③ x 12
	④ x 8
	⑤ x 1

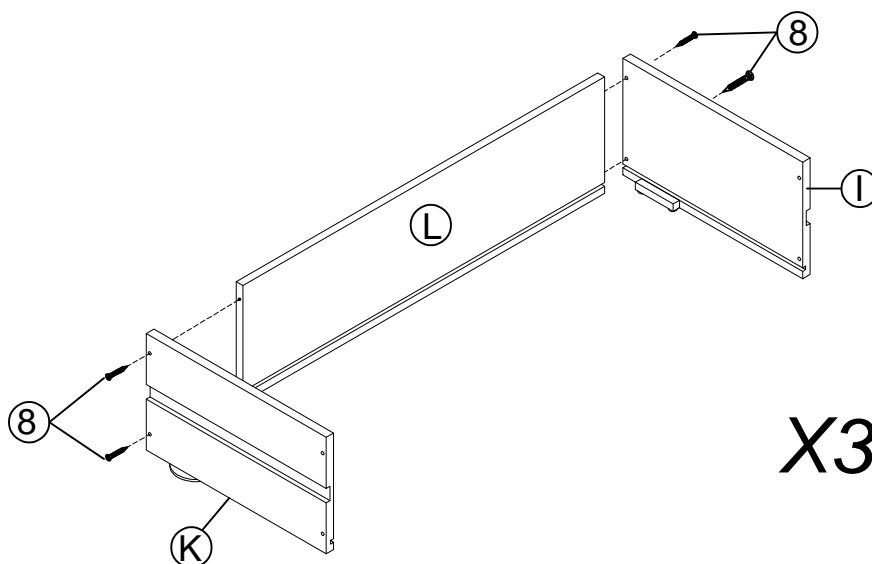


Attach the top frame (A) and the part in step (3) to the Side panel (B),using the Wood dowel (4) bolts (1), spring washers (2), flat washers (3),Allen key (5). **Do not fully tighten Bolts at this time.**

STEP: 5

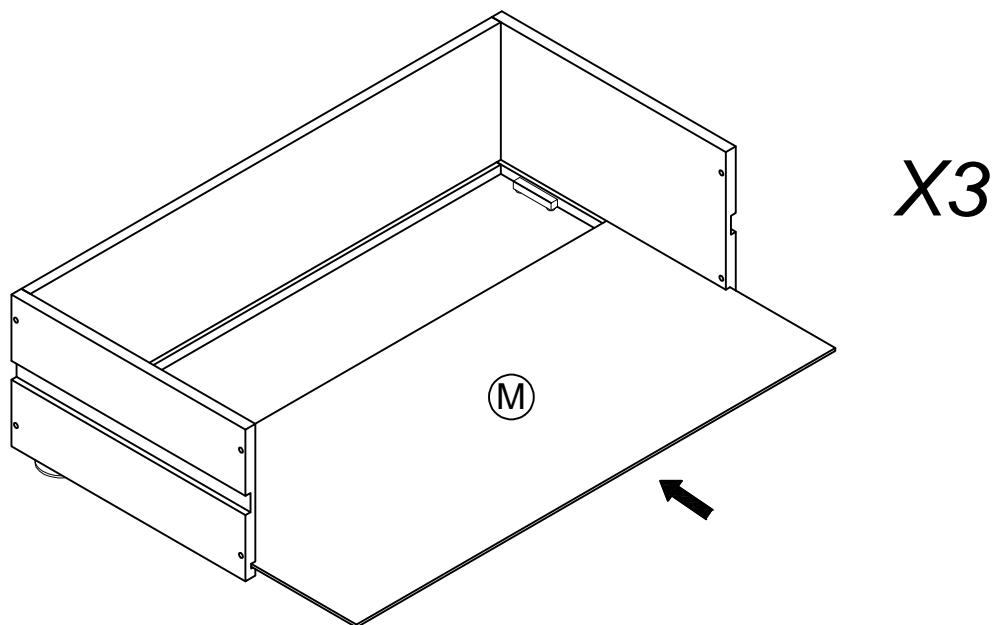


⑧ x 12



Attach the Right Drawer Control Panel (I) and Left Drawer Control Panel to the Drawers back board (L),using the Wood screws (8).**Do not fully tighten Bolts at this time.**

STEP: 6

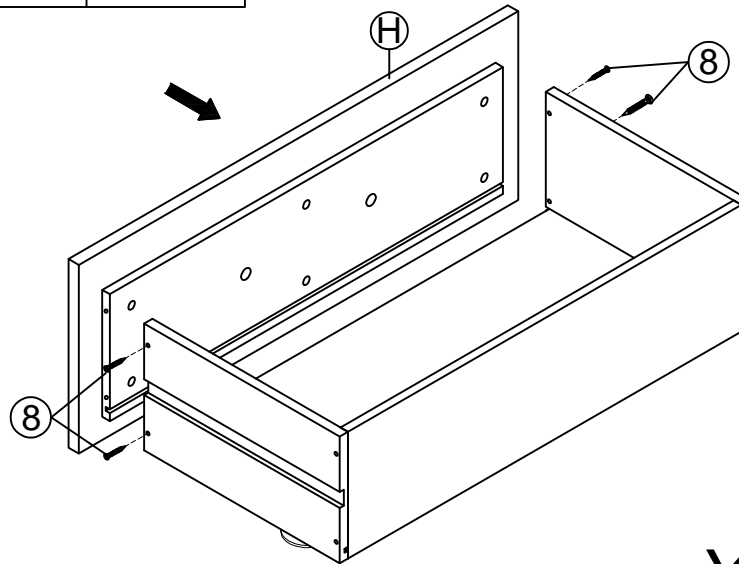


Attach the Drawer bottom board (M) into the part in step (5)

STEP: 7



⑧ x 12



X3

Attach the Drawer front panel (H) into the part in step (6), using the Wood screws (8). **Do not fully tighten Bolts at this time.**

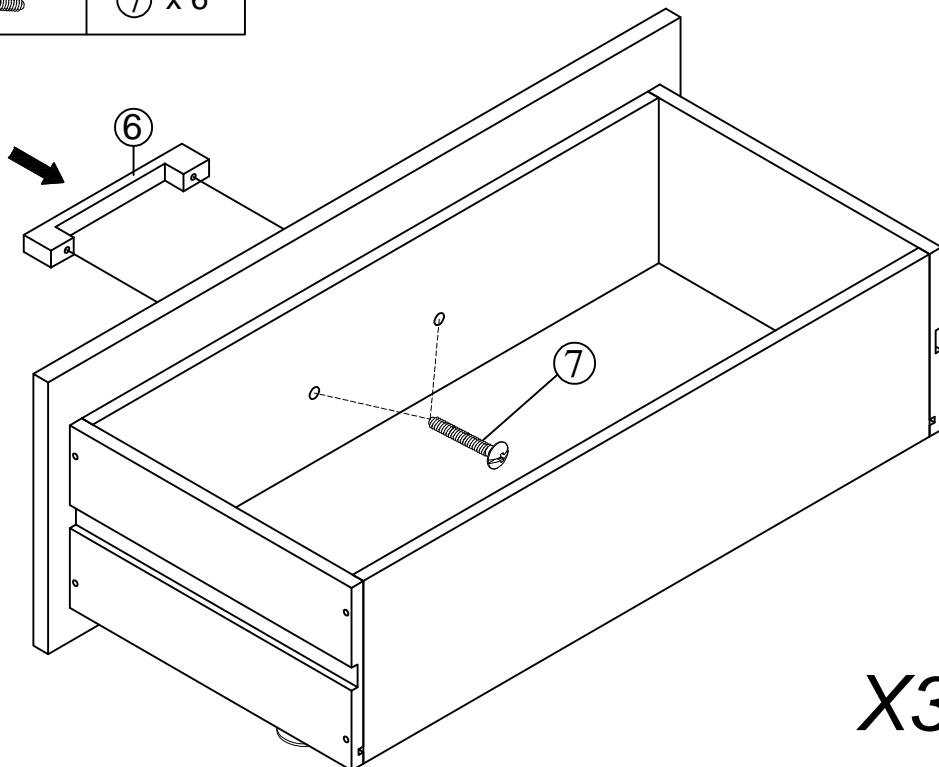
STEP: 8



⑥ x 3



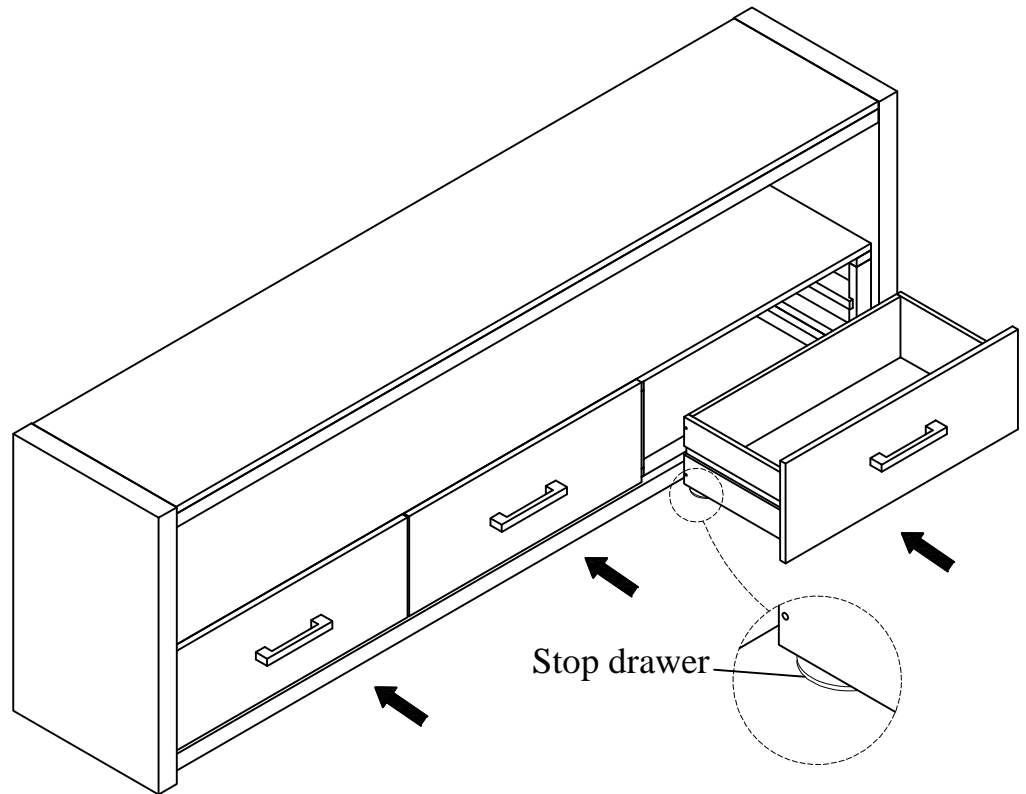
⑦ x 6



X3

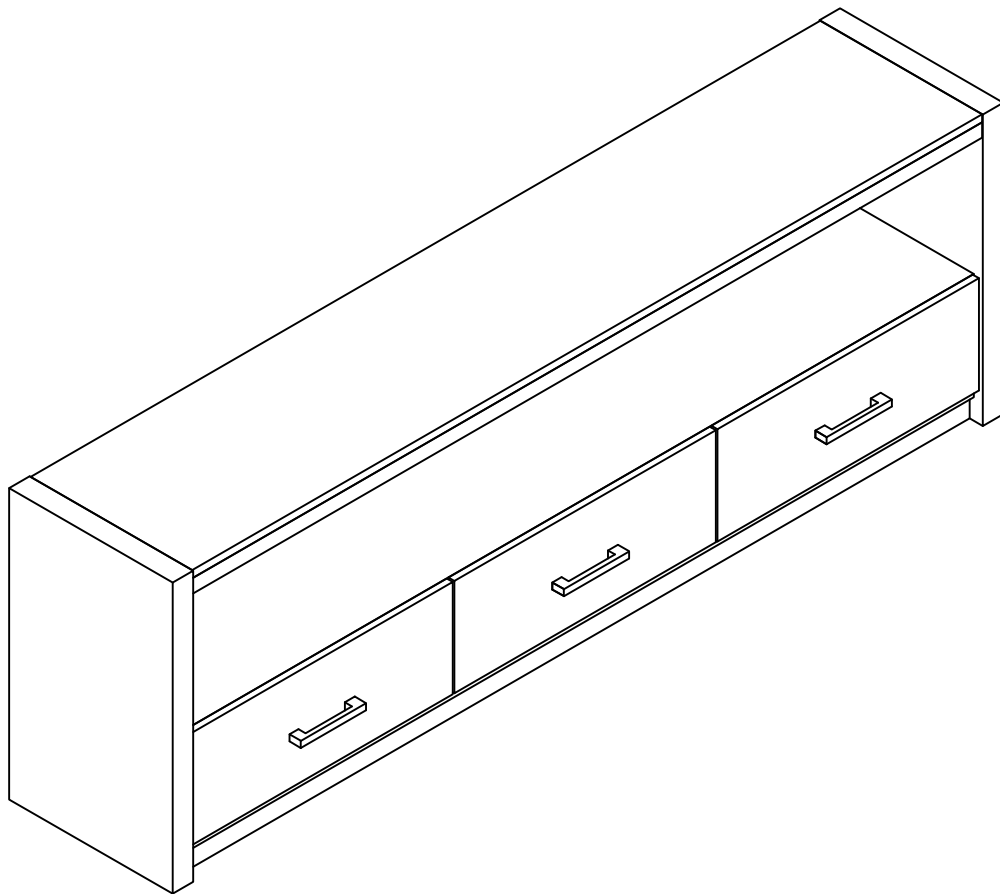
Attach the Drawer handle (6) into the part in step (7), using the bolts (7). **Do not fully tighten Bolts at this time.**

STEP: 9



Attach the drawer part in step (8) into the part in step (4), push the drawer firmly so that the tool stops the drawer over the front frame

STEP: 10



Your Console Table is ready for use