

Buffet and Sideboard

ASSEMBLY INSTRUCTIONS

Before You Begin: Phillips screwdriver required (Not Included)

Please identify all component parts and hardware pieces required before you begin. Carefully remove all of the components from the packaging and set aside for assembly. Assemble on a soft surface to prevent scratching during assembly.

Caution:

Tighten all components securely before use. Failure to do so may result in personal injury. DO NOT use any sharp objects to open plastic wrapped components as damage to product or components may result.

Warning:

CHOKING HAZARD - Small Parts. Adult Assembly Required.

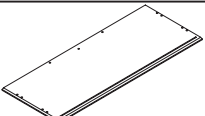

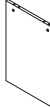

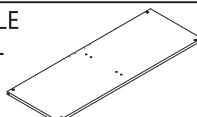
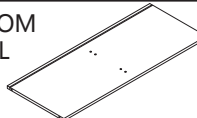
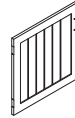

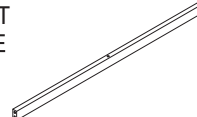
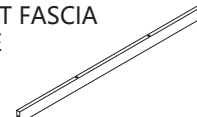
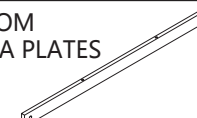
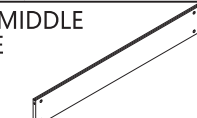
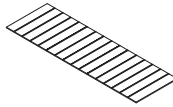

DO NOT ALLOW CHILDREN TO CLIMB ON FURNITURE















Serious or fatal injuries can occur from furniture tipping over. You must install Tipping Restraint Hardware (where included) to help prevent the unit from tipping and causing accidental injury, instability, death or damage. The tipping restraint is intended only as a safety measure, it is not a substitute for proper adult supervision.

To help prevent furniture from tipping over it must be permanently attached to the wall. Anti-Tip Safety Wall Straps suitable for the unit weight and wall materials (if not included) should be purchased and installed.

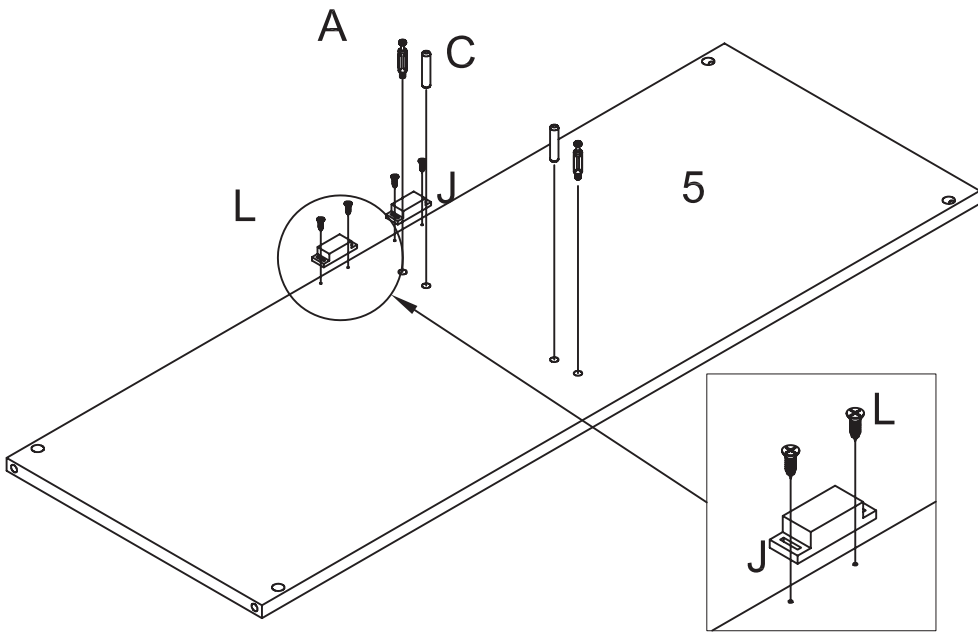



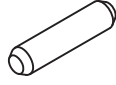


PARTS

| | | |
|-----|---|-------|
| 1. | TOP  | 1PC |
| 2. | LEFT PANEL  | 1PC |
| 3. | MIDDLE PANEL  | 1PC |
| 4. | RIGHT PANEL  | 1PC |
| 5. | MIDDLE PANEL  | 1PC |
| 6. | BOTTOM PANEL  | 1PC |
| 7. | LEFT DOOR  | 1PC |
| 8. | RIGHT DOOR  | 1PC |
| 9. | FRONT BRACE  | 1PC |
| 10. | FRONT FASCIA PLATE  | 1PC |
| 11. | BOTTOM FASCIA PLATES  | 2PCS |
| 12. | REAR MIDDLE BRACE  | 1PC |
| 13. | REAR PANELS  | 2PCS |
| A. | MALE CAMLOCK  | 22PCS |

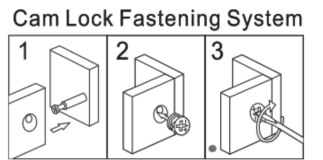
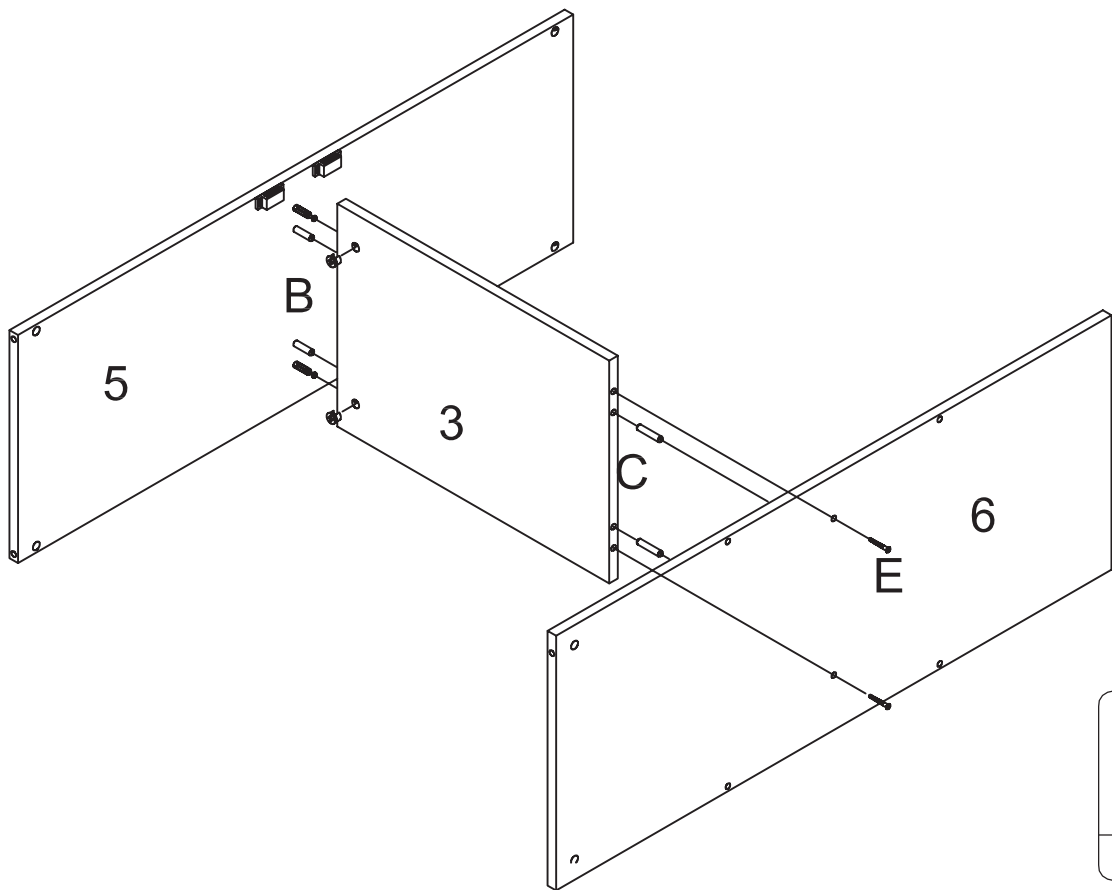
| | | |
|----|---|-------|
| B. | FEMALE CAMLOCK  | 22PCS |
| C. | WOOD DOWELS  | 16PCS |
| D. | HEXAGON SOCKET HEAD SCREW  M6*40mm | 4PCS |
| E. | SCREW  M5*50mm | 2PCS |
| F. | HANDLE SCREW  M4*18mm | 4PCS |
| G. | SELF-TAPPING SCREW  M3.5*14mm | 20PCS |
| H. | HINGES  | 4PCS |
| I. | DOOR HANDLE  | 2PCS |
| J. | DOOR LATCH  | 2PCS |
| K. | PLASTIC WEDGES  M3.5*14mm | 8PCS |
| L. | SELF-TAPPING SCREW  M3*14mm | 8PCS |
| M. | HEXAGON SOCKET HEAD SCREW  M6*50mm | 1PC |
| N. | STRIKE PLATE  | 2PCS |
| | TOOLS  M4 | 1PC |


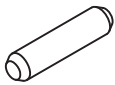

STEP 1



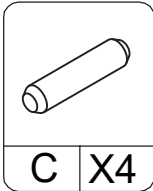
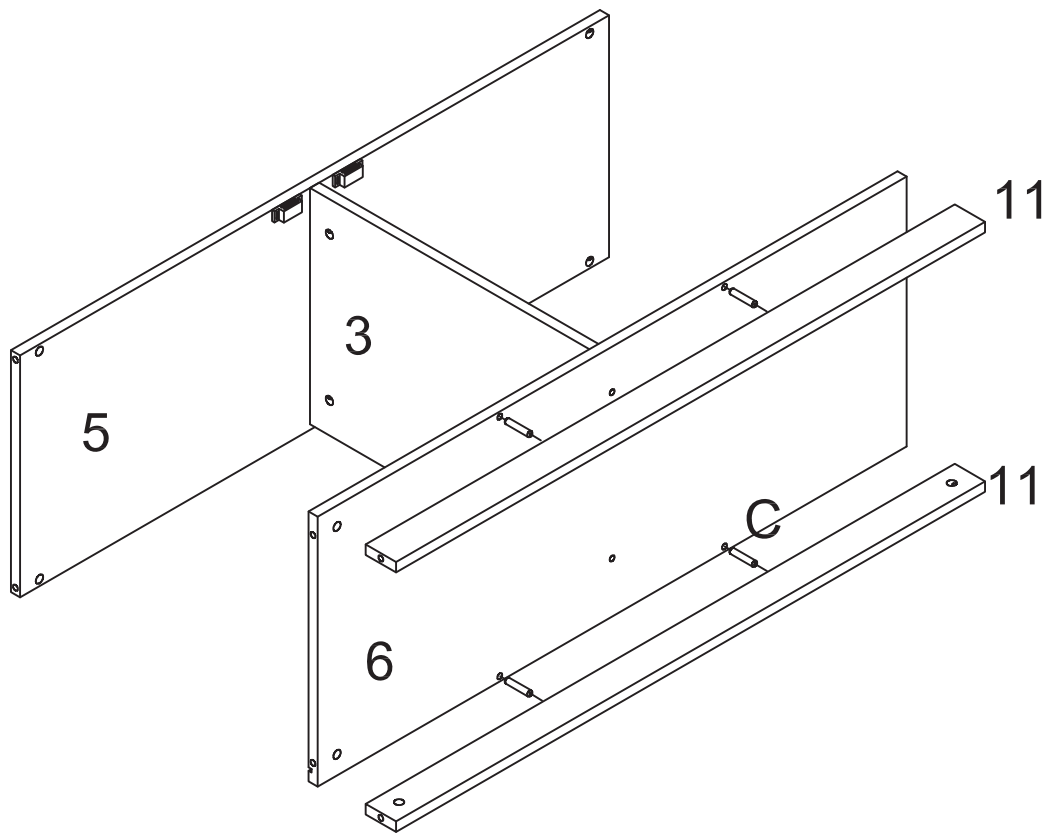
- | | |
|---|---|
|  |  |
| A X2 | C X2 |
|  |  |
| J X2 | L X4 |

STEP 2

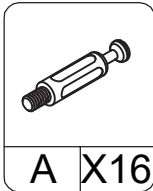
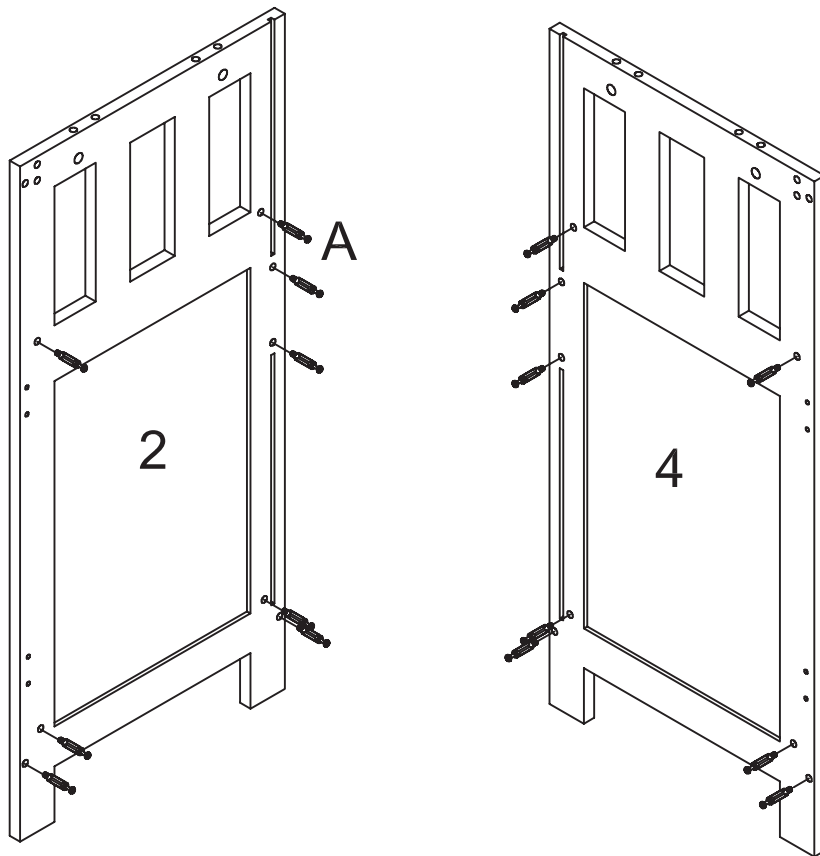


- | | |
|---|---|
|  |  |
| B X2 | C X2 |
|  | |
| E X2 | |

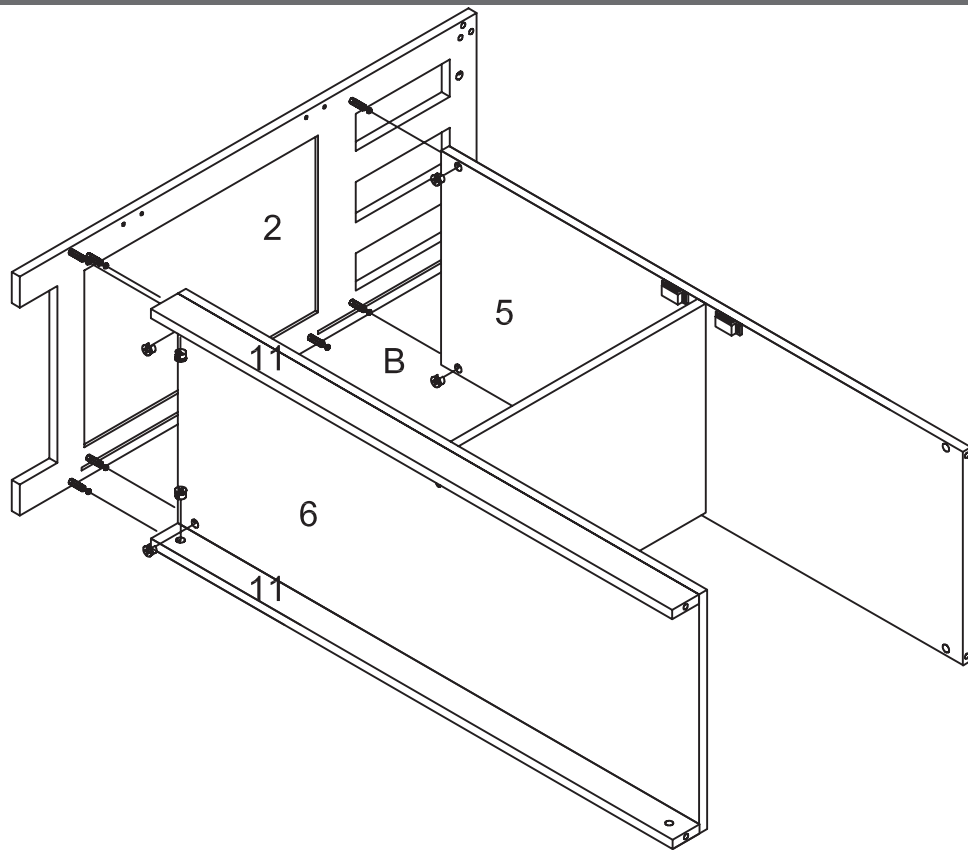
STEP 3



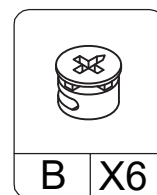
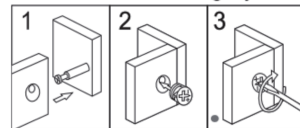
STEP 4



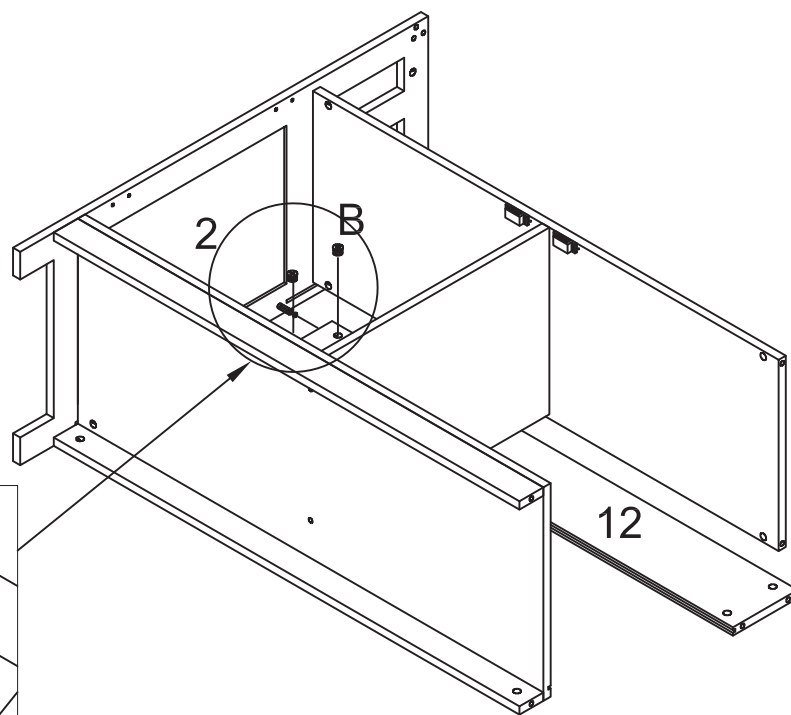
STEP 5



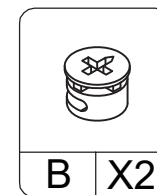
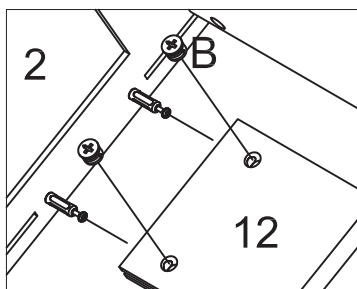
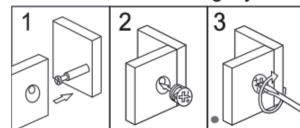
Cam Lock Fastening System



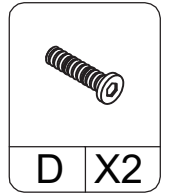
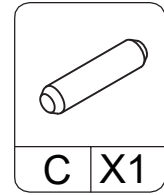
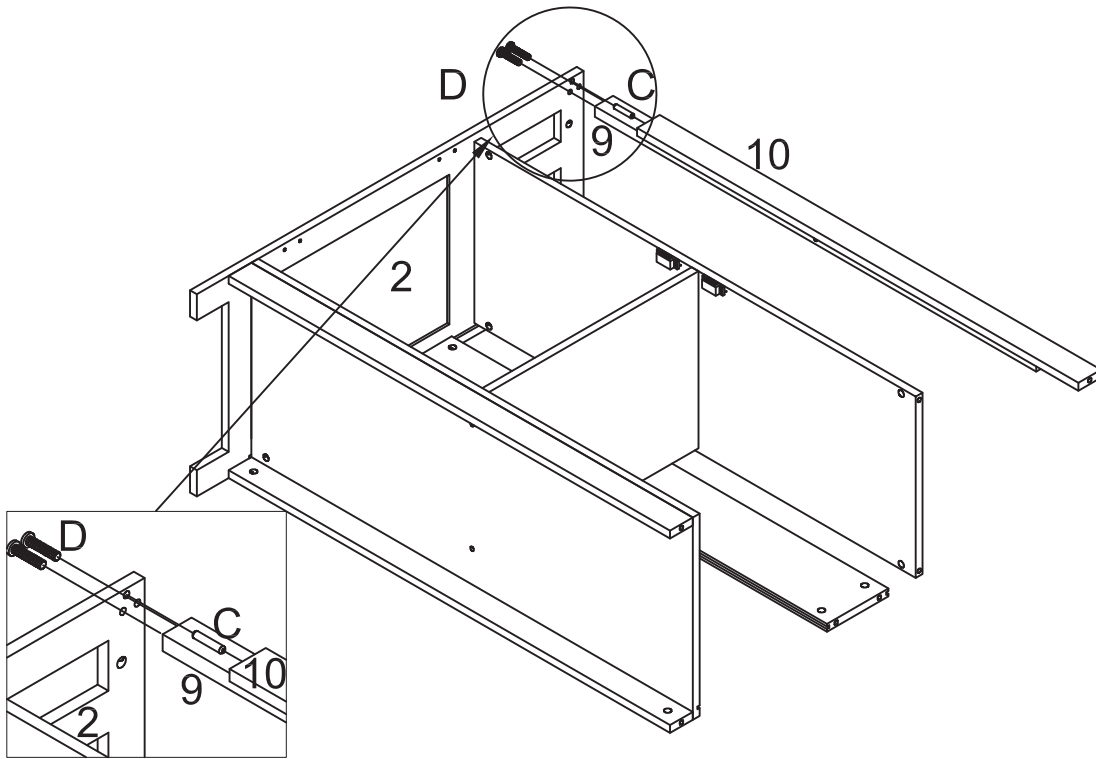
STEP 6



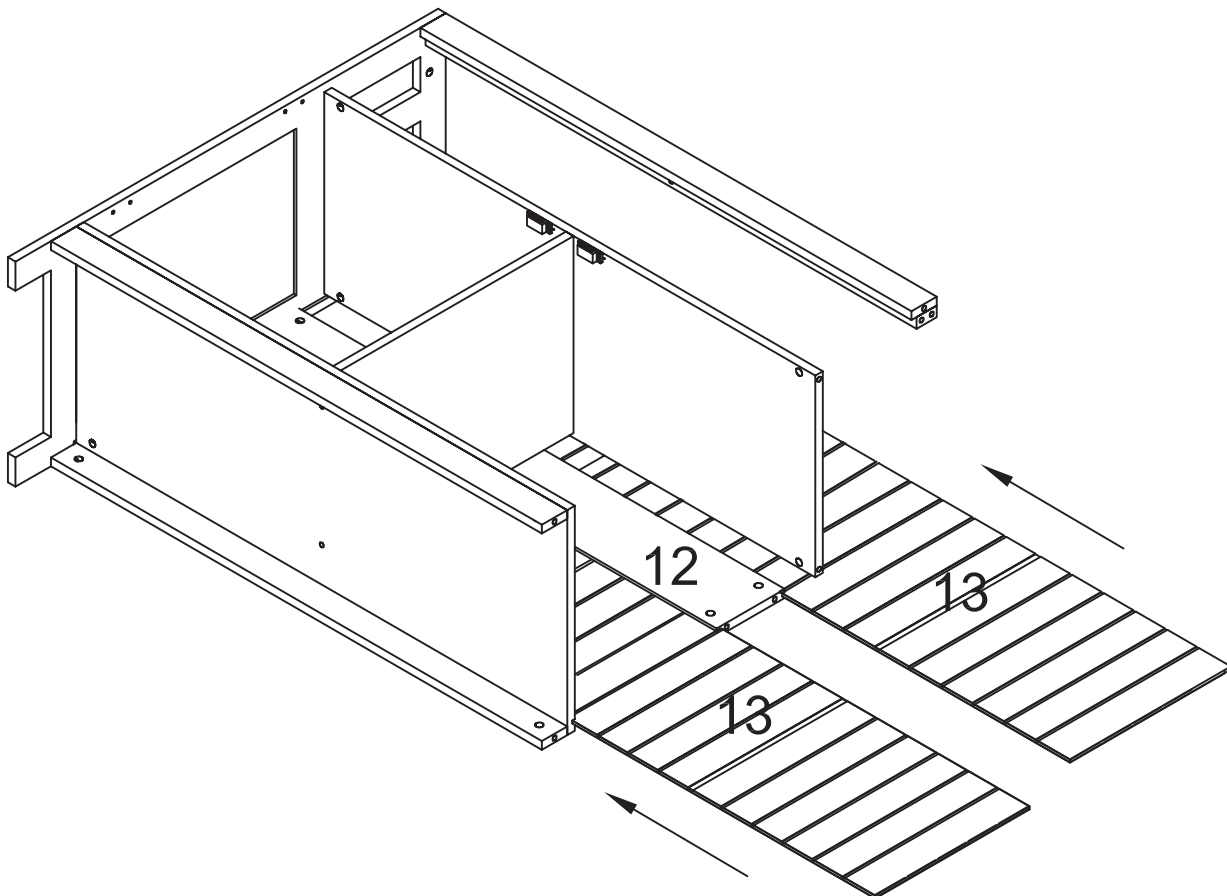
Cam Lock Fastening System



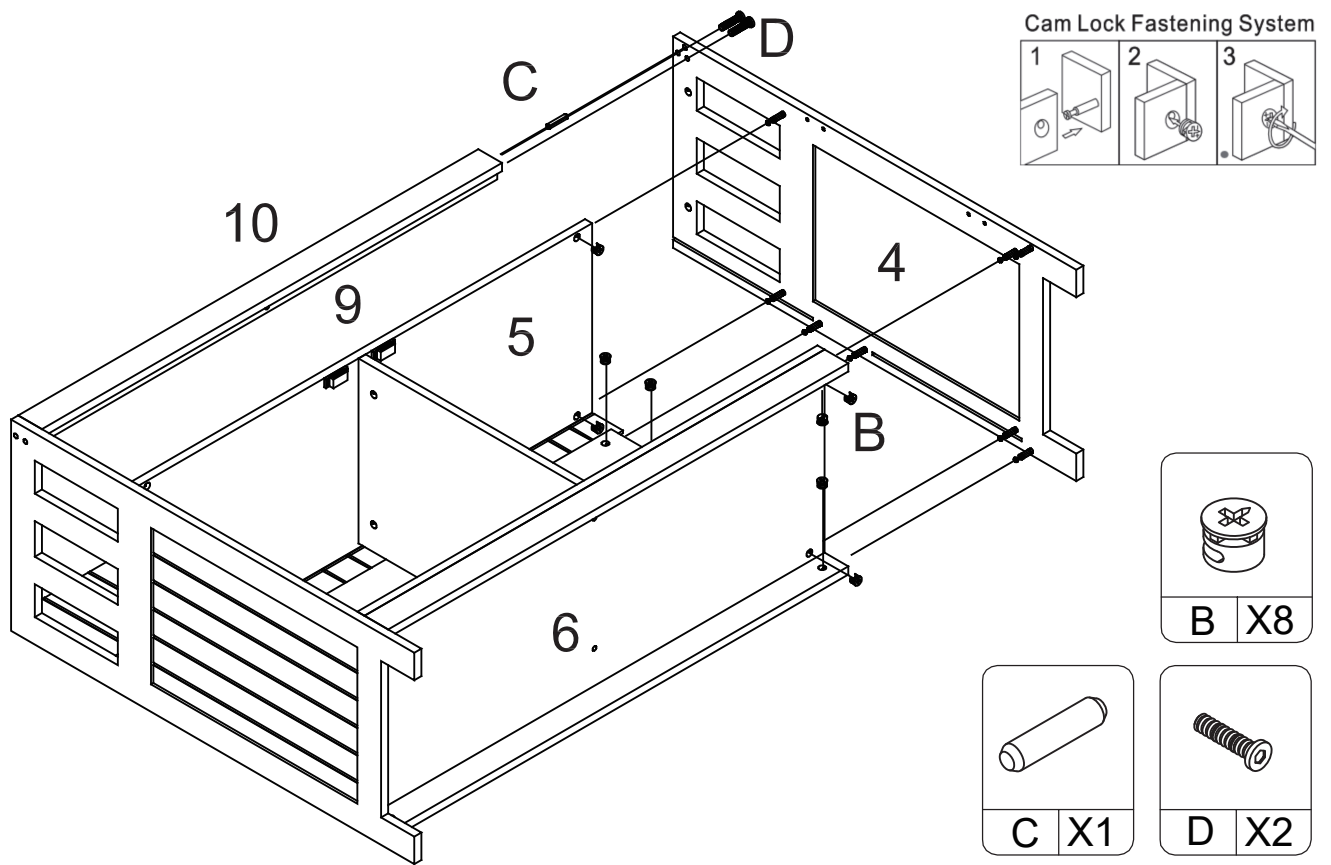
STEP 7



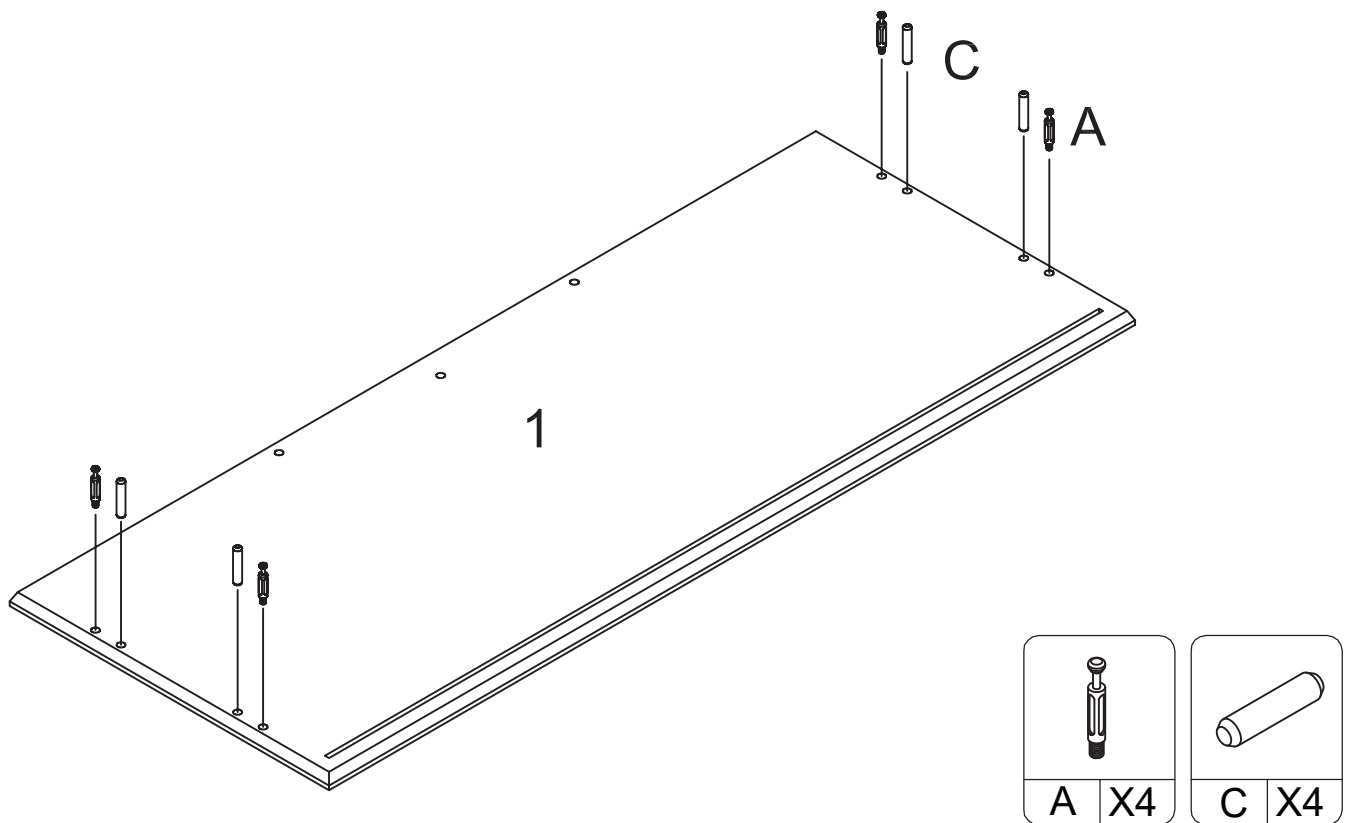
STEP 8



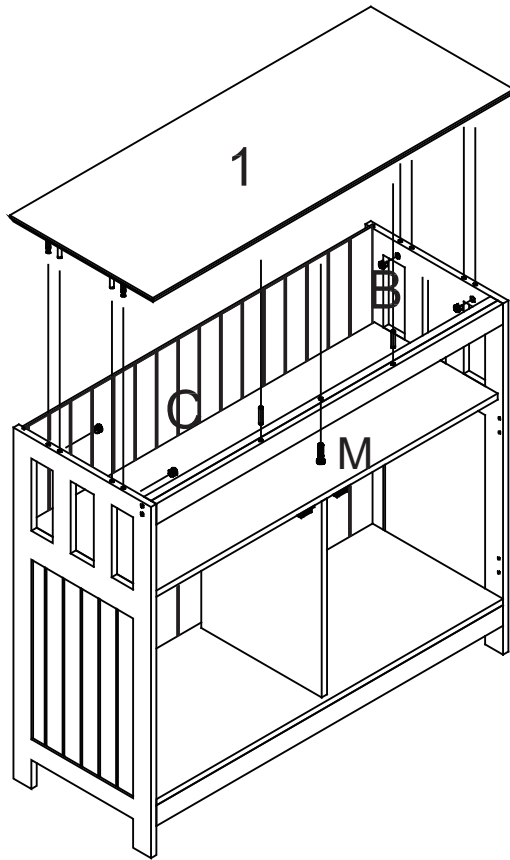
STEP 9



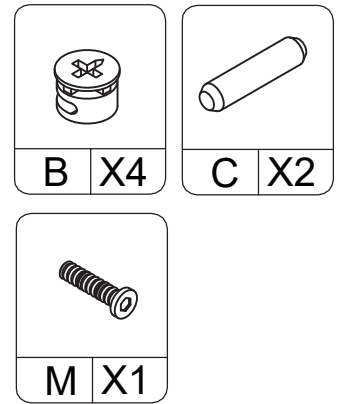
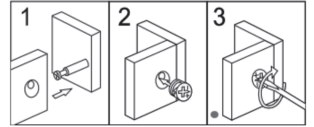
STEP 10



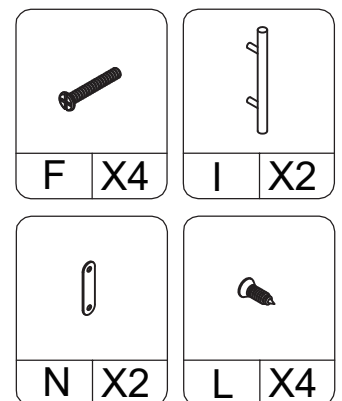
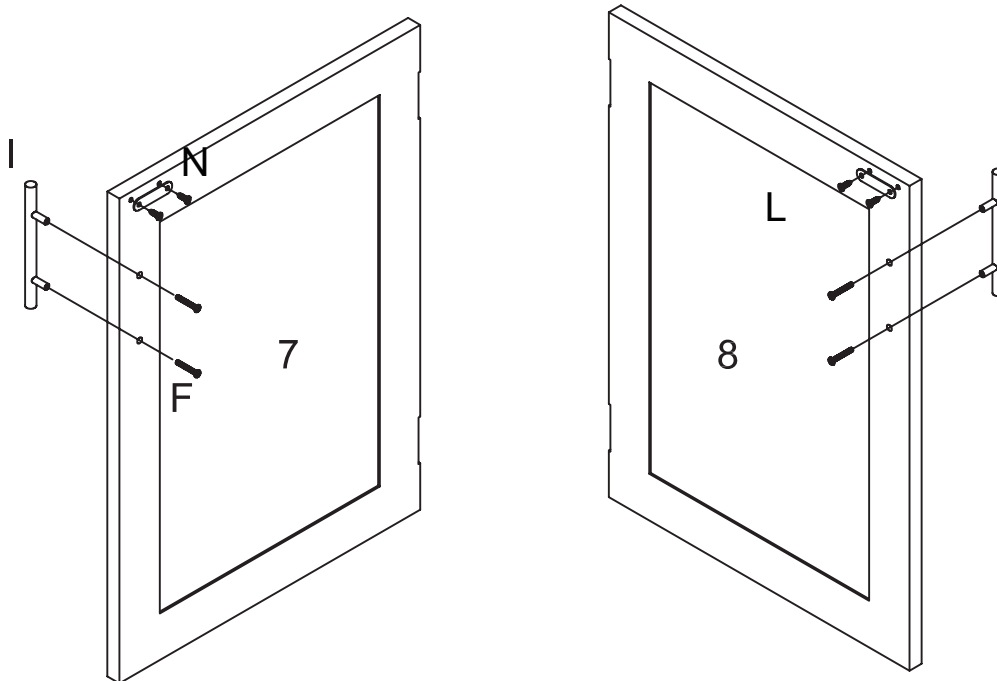
STEP 11



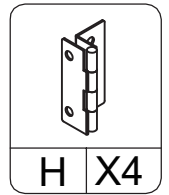
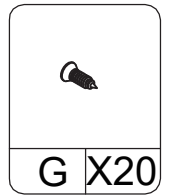
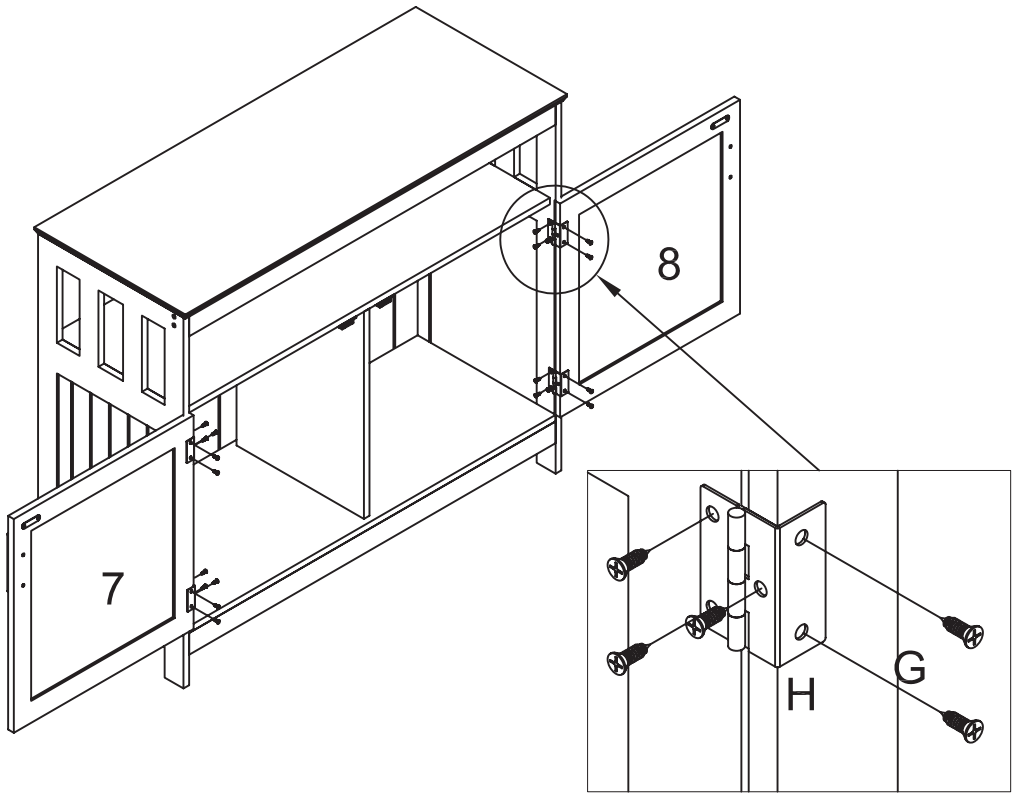
Cam Lock Fastening System



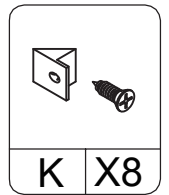
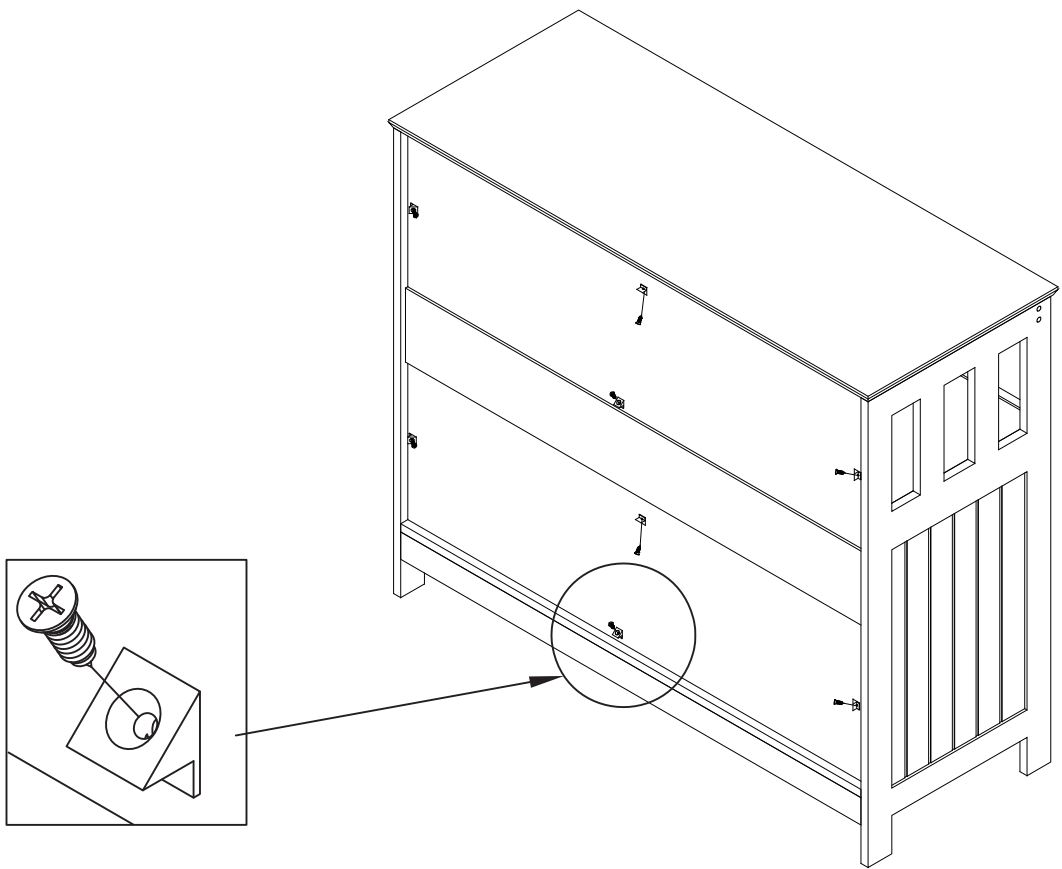
STEP 12



STEP 13



STEP 14



Quality and Safety Guidelines:

- Please follow the static and dynamic weight capacity limits provided on this item. If you are unsure of the weight capacities for this product, email us
- Please use this item on a stable, level surface only. All cabinet legs should contact the flooring surface when in use. Do not use this item if any instability is detected.
- Please install and use anti-tipping devices if included.
- For maintenance instructions and replacement parts, please email us.
- This item is intended as a bar cabinet only, do not climb, stand or sit on this item. Do not use as a TV stand.
- Do not slide this item when moving it.
- Keep fingers away from the hinge line clearance to avoid pinching.
- The item is intended to be used indoors.