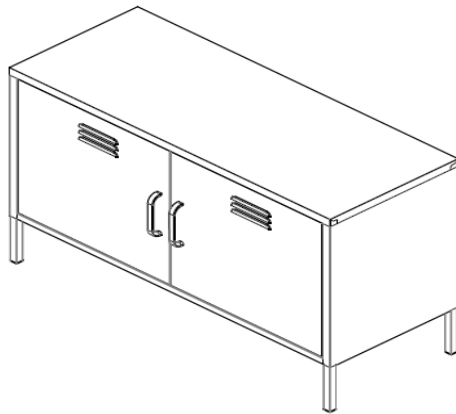


TEKSI SIDEBOARD

ASSEMBLY GUIDE



www.furniturebox.co.uk

Scan QR code for more tips,
and advice or visit
furniturebox.co.uk/club/general-club-page

Important - Please read these instructions fully before starting assembly



SAFETY AND CARE ADVICE



NO POWER TOOLS

SAFETY AND CARE ADVICE

- Check you have all the components and tools listed.
- Remove all fittings from the plastic bags and separate them into their groups.
- We do not recommend the use of power drills/drivers for inserting screws, as this could damage the unit. Only use hand screwdrivers and Allen keys.
- Keep children and animals away from the work area, small parts could cause choking if swallowed.
- Make sure you have enough space to lay out the parts before starting.
- Assemble the item as close to its final position (in the same room) as possible.
- Do not overtighten the nuts to avoid causing damage to the threads.
- Only clean using a damp cloth and mild detergent, do not use bleach or abrasive cleaners.
- From time to time check that there are no loose screws on this unit
- This product should not be discarded with household waste. Take to your local authority waste disposal centre
- **Warning:** Unfixed furniture may tip over. We strongly advise you use the anti-tipping kit provided to secure your shelves to the wall. Please use appropriate fixings for your wall and get professional advice if unsure.



IMPORTANT INFORMATION



30 MINUTE
BUILD

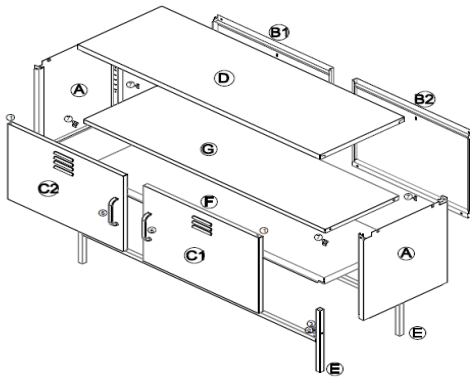


TWO
PERSON

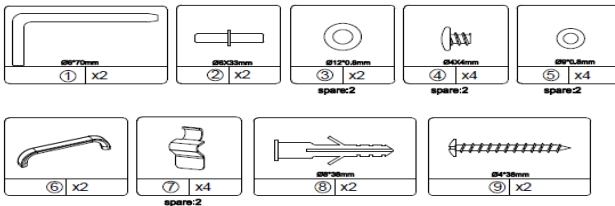


MAXIMUM
CAPACITY 50Kg

PLEASE CHECK CAREFULLY AND MAKE SURE YOU HAVE ALL FITTINGS AND TOOLS LISTED BELOW BEFORE YOU START.



No.	Size	Qty
A	489x400x23mm	2
B1	489x493x23mm	1
B1	489x493x23mm	1
C1	441x474.5x20mm	1
C2	441x474.5x20mm	1
D	1001x402x38mm	1
E	998x320x20mm	2
F	997x375x25mm	1
G	997x352x20mm	1



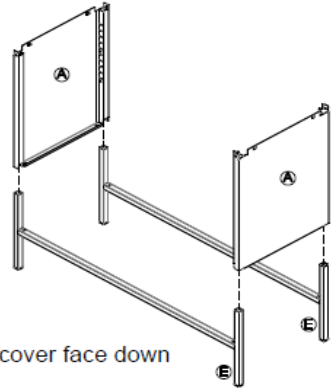
1 x Screwdriver
(Not provided)

NOTE: The quantities above are the correct amount to complete the assembly. In some cases more fittings may be supplied than are required.

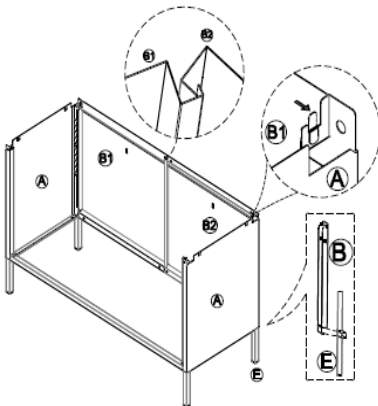
STEP 1

Use a clean, flat, soft surface to avoid any bumps or scratches.

Attach 2 x side panels [A] to 2 x leg frames [E] by slotting [A] onto [E] with the plastic feet on the bottom.



The plastic foot cover face down

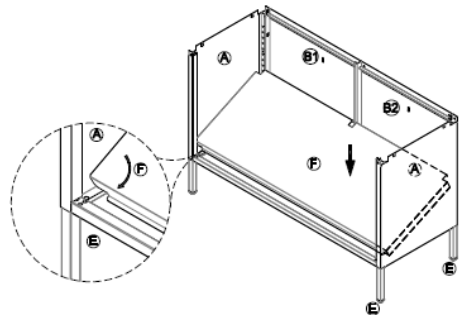


STEP 2

Attach 2 x back panels [B1 + B2] and slot into 2 x side panels [A] until they meet leg frame [E].

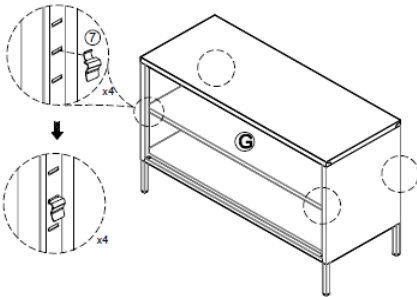
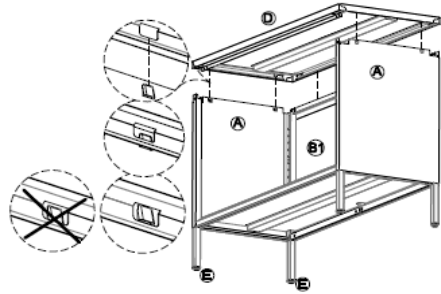
STEP 3

Slot 1 x base panel [F] into the bottom of the frame.



STEP 4

Attach 1 x top panel [D] to 2 x side panels [A] by slotting into the pre-attached clips.

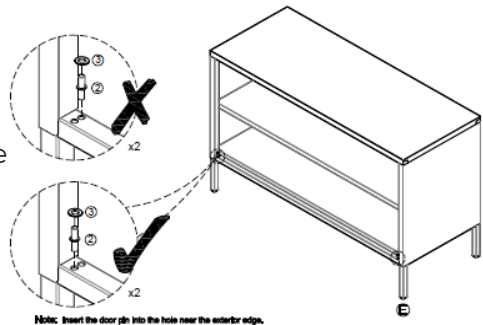


STEP 5

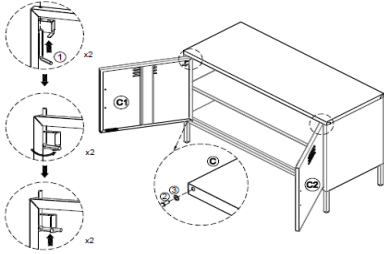
Slot 1 x shelf [G] into the cabinet by using 4 x shelf brackets [7]. Ensure the shelf is level.

STEP 6

Insert 2 x dowel pin [2] + 2 x washer [3] into the corners of the sideboard frame as shown. Ensure to use the outer hole as this will affect door assembly.



Note: Insert the door pin into the hole near the exterior edge.

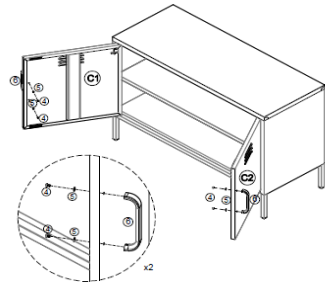


STEP 7

Attach 2 x doors [C1 + C2] by slotting the bottom onto the pre-inserted dowel pins.
Attach each door at the top using 2 x L shape key [1], slot and lock into place.

STEP 8

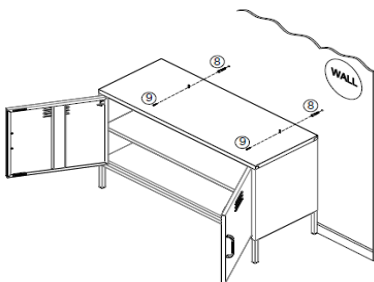
Attach 1 x door handle [6] to doors [C1 + C2] using 1 x washer [5] + 1 x screw [4] through the pre-drilled holes.
Tighten with a screwdriver.



Anti Tipping Kit Assembly

STEP 9

Warning: Unfixed furniture may tip over. We strongly advise you use the anti-tipping kit provided to secure your shelves to the wall. Please use appropriate fixings for your wall and get professional advice if unsure.



Secure the sideboard to the wall using the pre-drilled gould holes plus 2 x rawl plugs [8] + 2 x screws [9].

Check stability and adjust feet accordingly.
Your sideboard is now ready to use!



LOOKING GOOD!

Now you've assembled your product find out how to care for your item and keep it looking brand new.



Look for your care guide in the box or visit:
www.furniturebox.co.uk/club/care-guide



OUR 2 YEAR GUARANTEE

our products come with a 2 year guarantee to give you peace of mind shopping at Furniturebox



WHAT THE GUARANTEE COVERS



PRE-INSERTED FIXINGS
e.g. loose metal threads



FAULTY JOINTS
e.g. legs bending



EXTERNAL FIXING FAULTS
e.g. metal discs removing from table top



STRUCTURAL INTEGRITY
e.g. the frame of the product



ACTIVATE YOUR GUARANTEE ONLINE

scan this QR code with your phone to read the full guarantee online and register your product. It only takes a moment to fill out. Or visit: furniturebox.co.uk/our-guarantee

Furniturebox UK, Unit 6 St Modwen's Park,
Chippenham, SN15 5BD
Tel: 01747 863333 Email: sales@furniturebox.co.uk