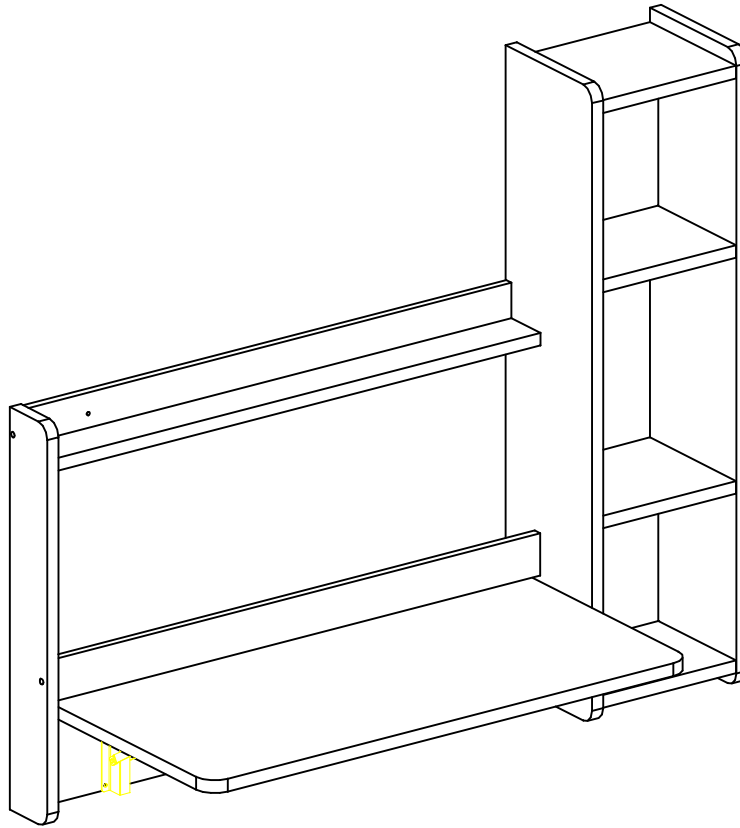


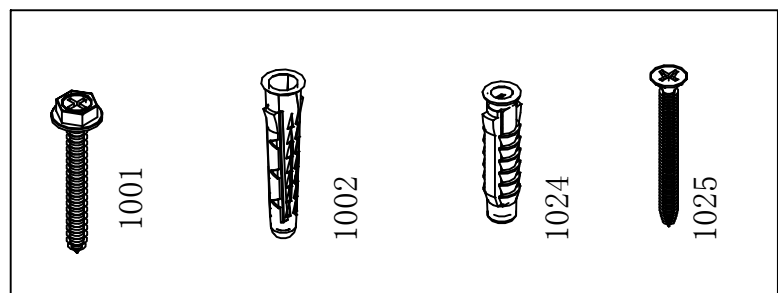
Pmn i anhua



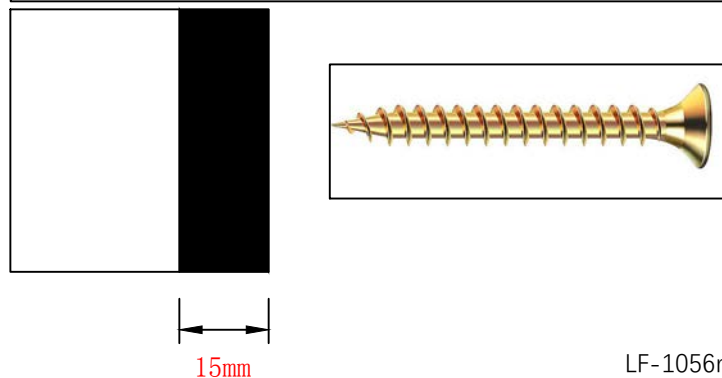
Installation wall requirements

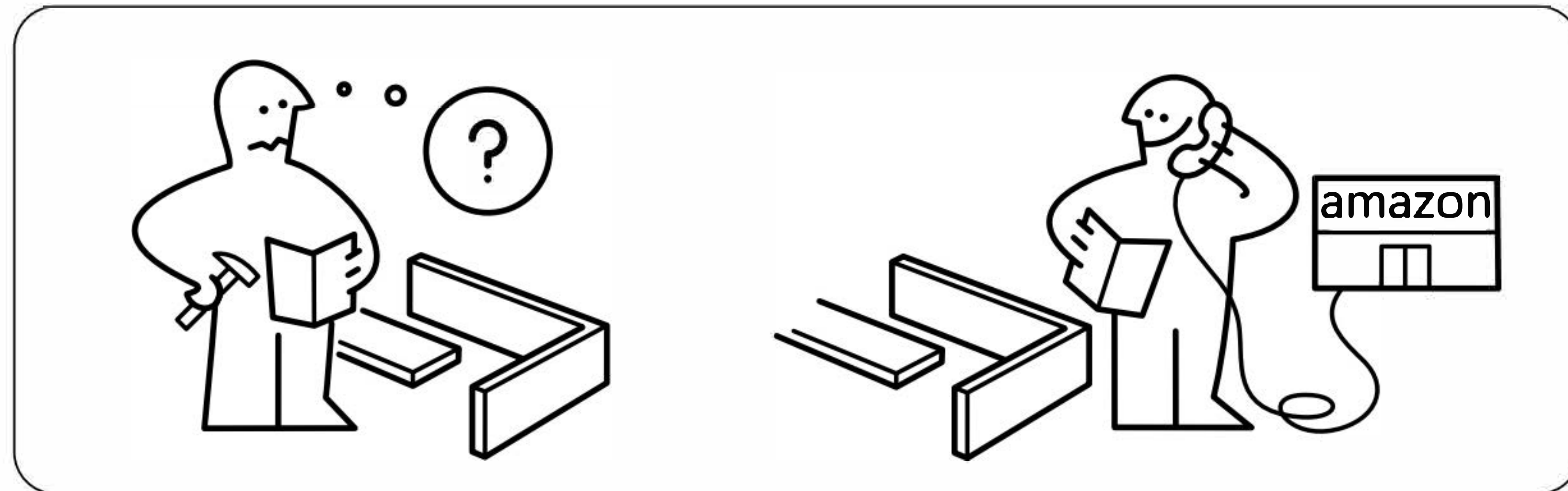
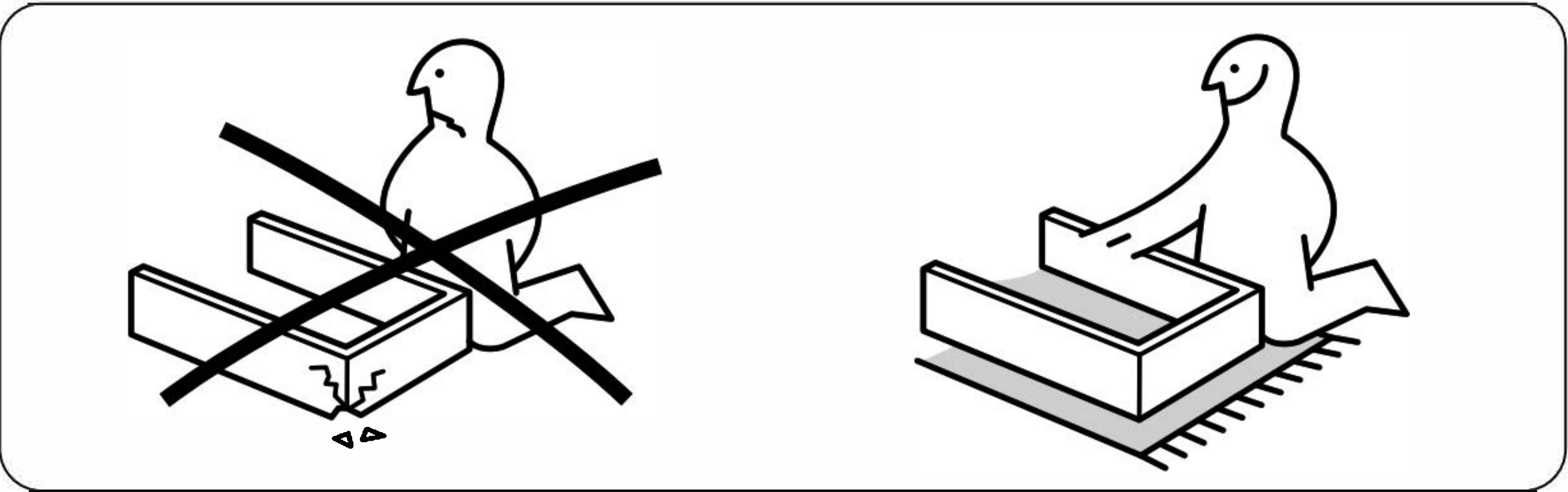
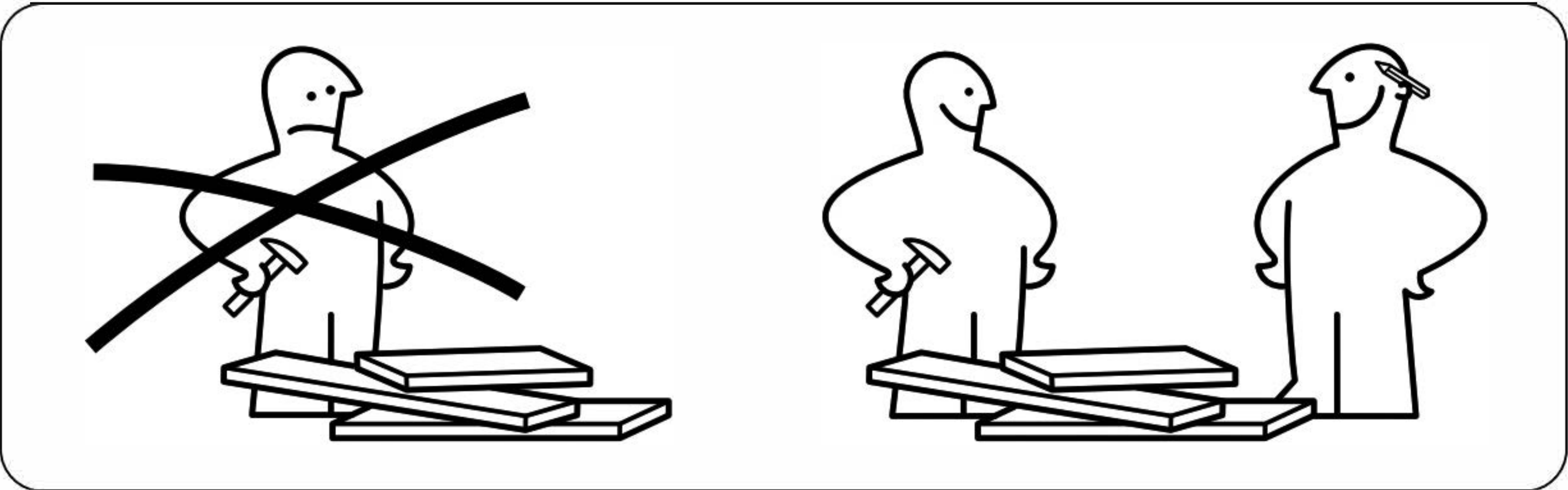
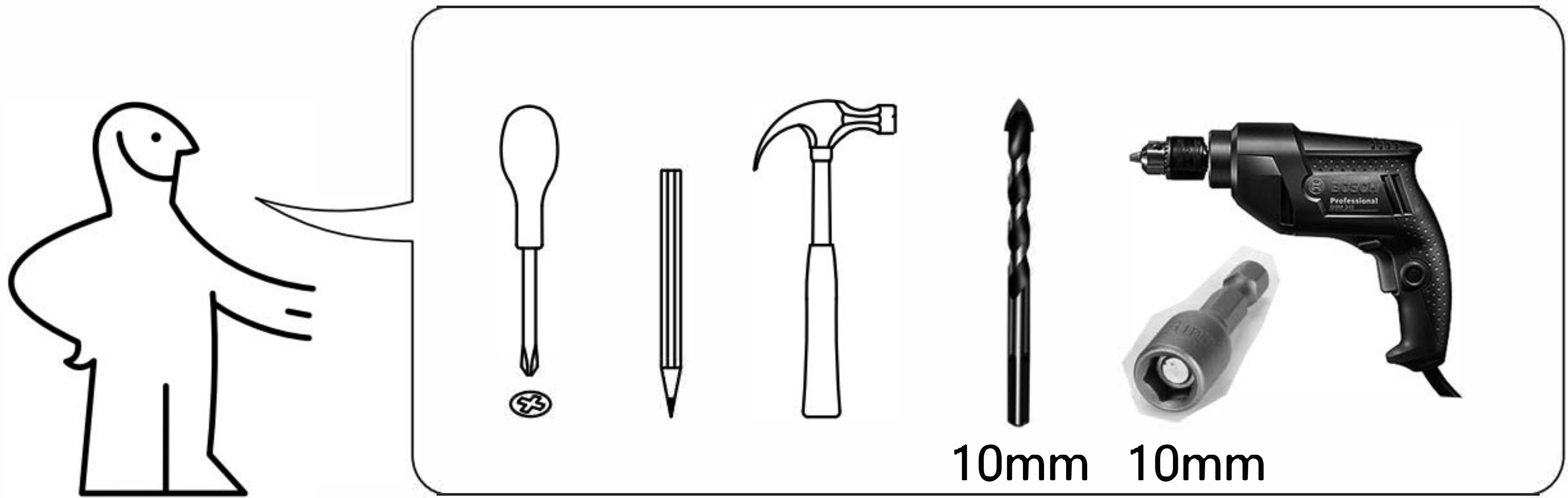
Solid brick wall, load-bearing wall, fired hollow brick wall, wood board wall thickened insulation wall! It is not recommended to install gypsum board walls and thin plywood walls...!

1. For solid brick walls, load-bearing walls, and fired hollow brick walls, we are equipped with 10mm and 8mm wall accessories



2. If it is a wooden wall (the thickness of the wooden board needs to be at least 15 mm), you need to buy automatic screws locally.

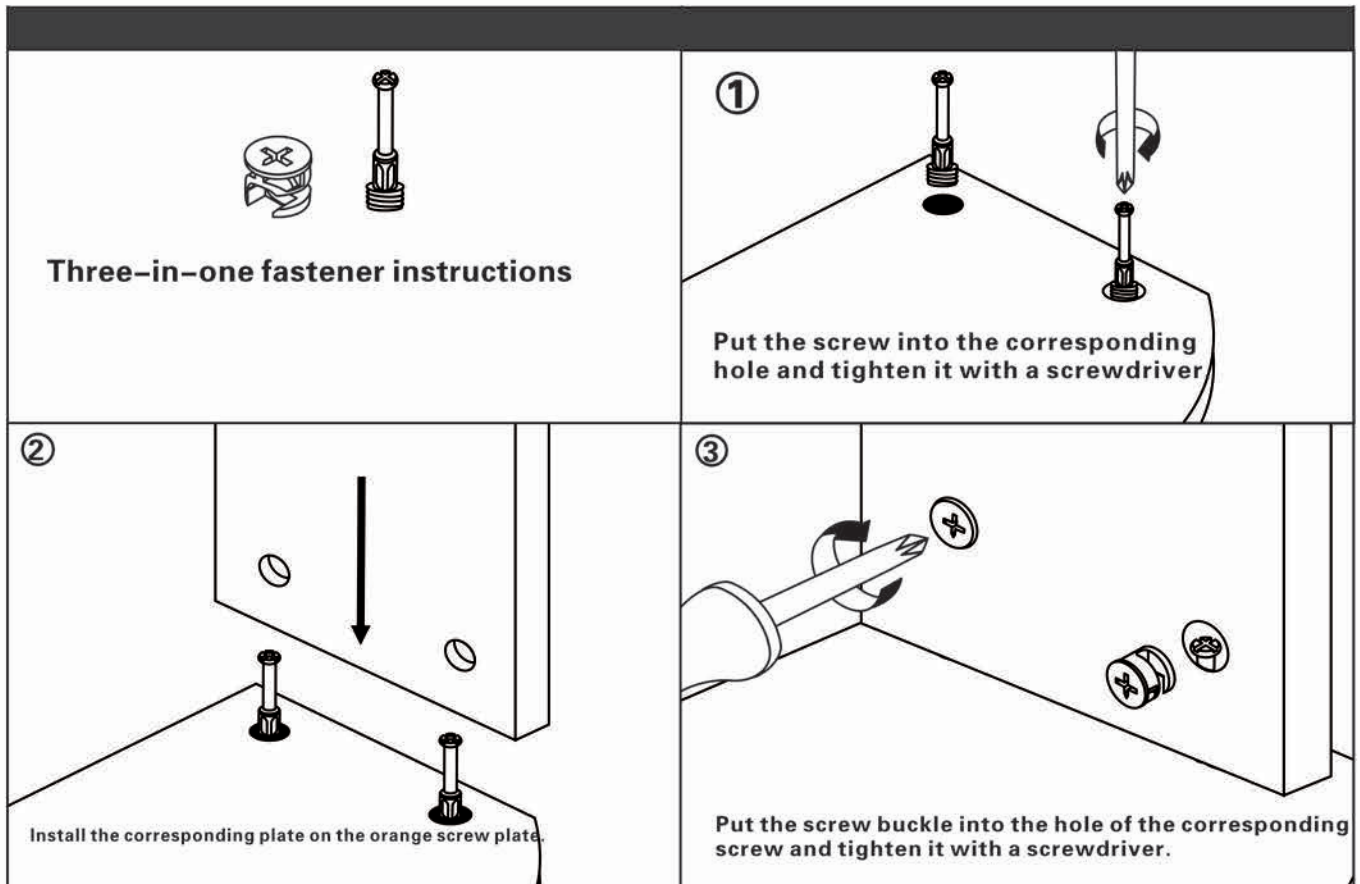


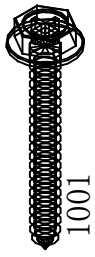


installation tips

1. Determine whether the wall structure can be installed with a floating TV cabinet.
2. Install the necessary tools, etc.
3. Whether the accessories required for installation are complete.
4. When installing on the wall, two people are required to operate at the same time.

Main hardware installation instructions





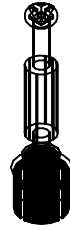
1001

4x



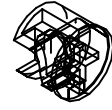
1002

4x



1003

40x



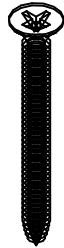
1004

40x



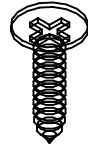
1024

1x



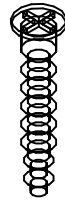
1025

1x



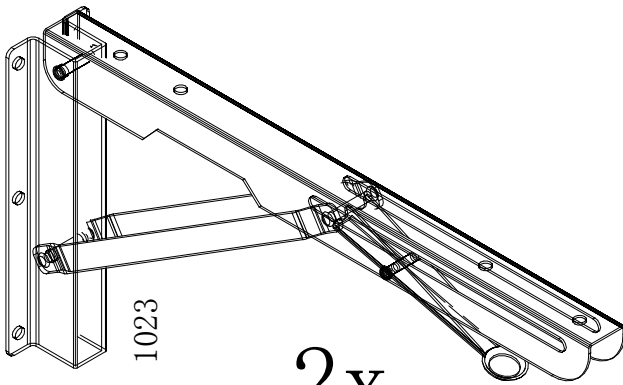
1007

20x



1008

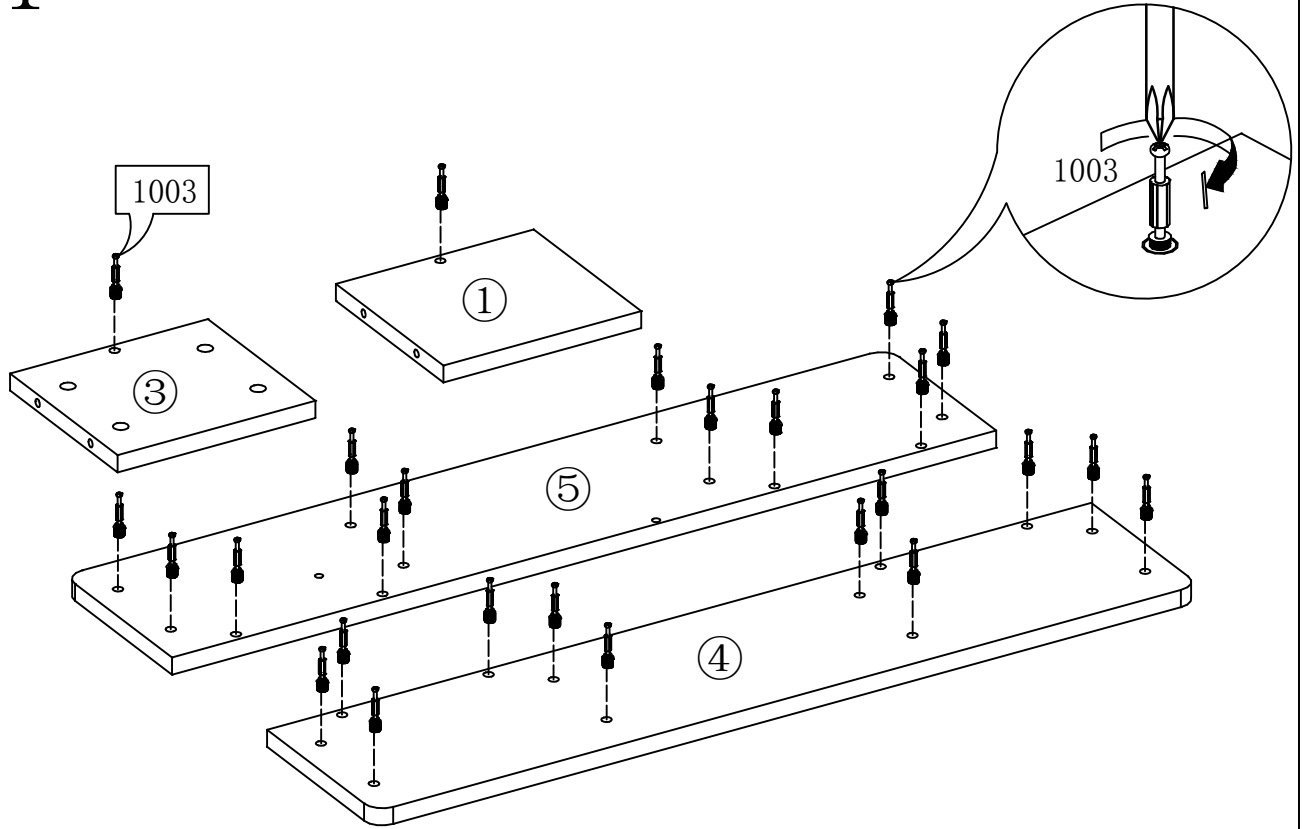
6x



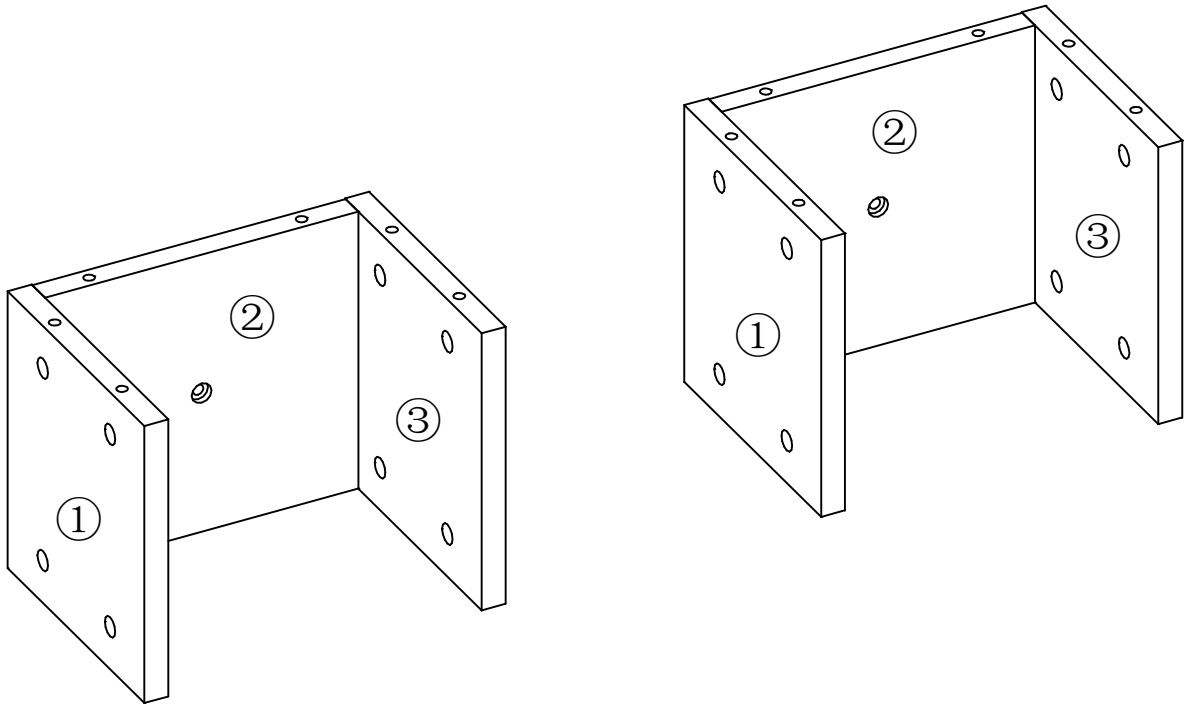
1023

2x

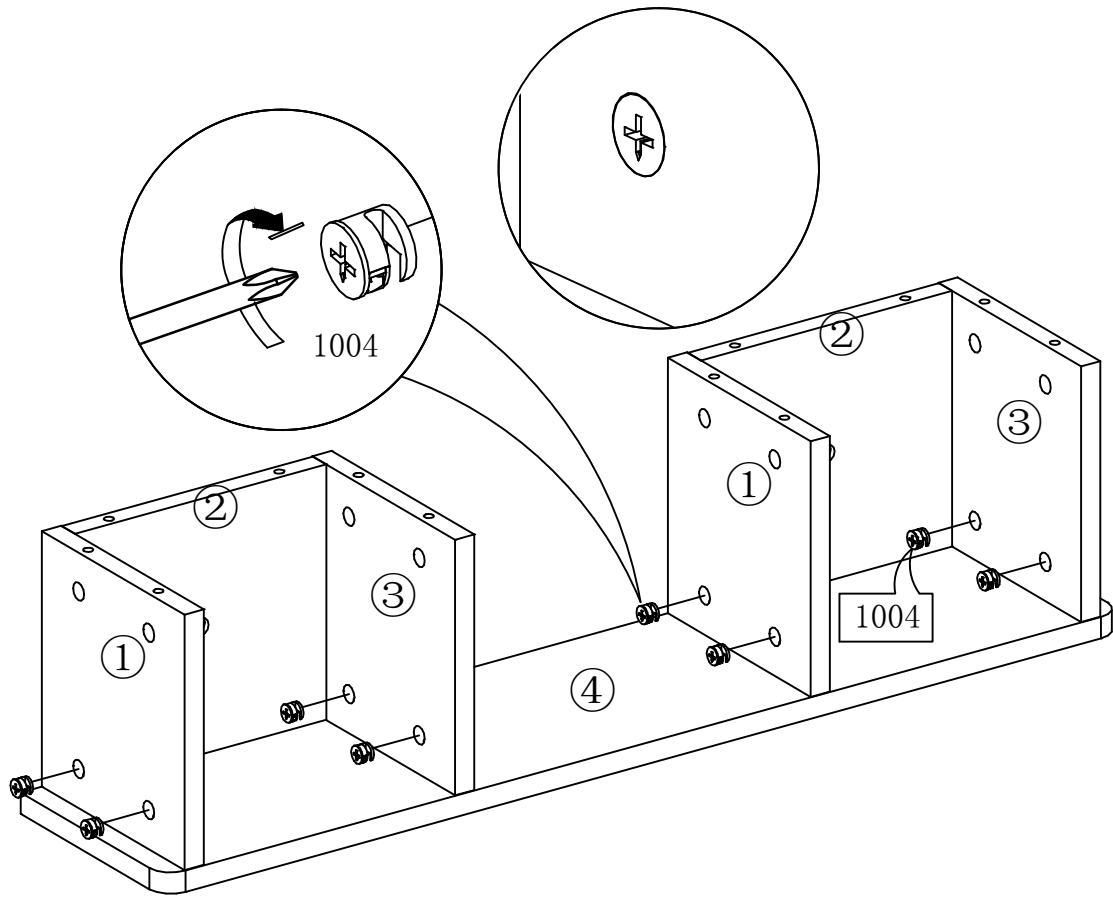
1



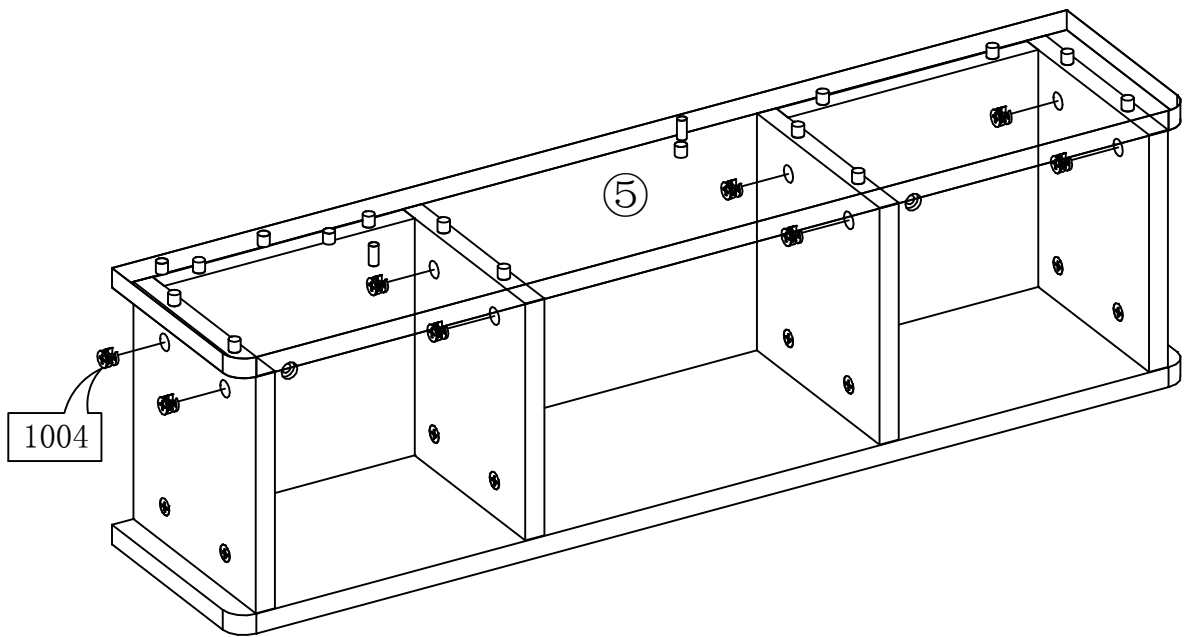
2



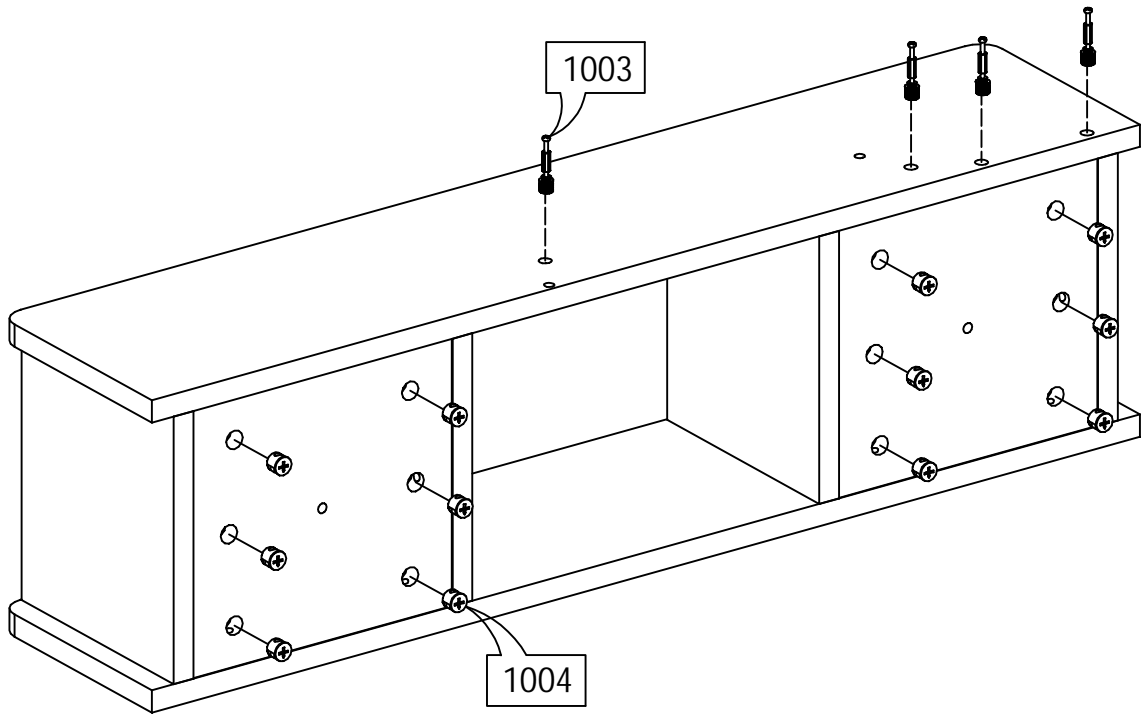
3



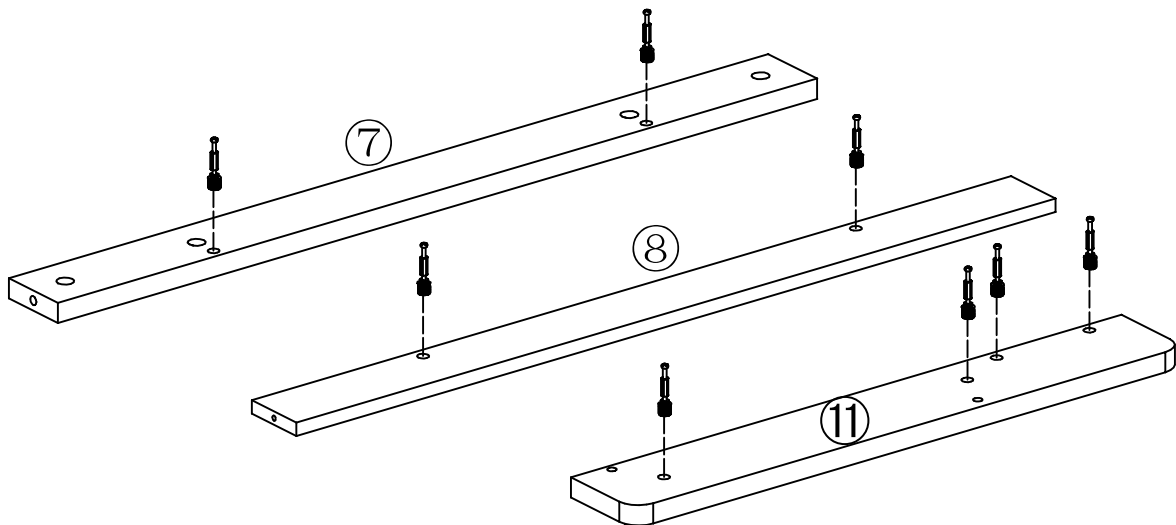
4



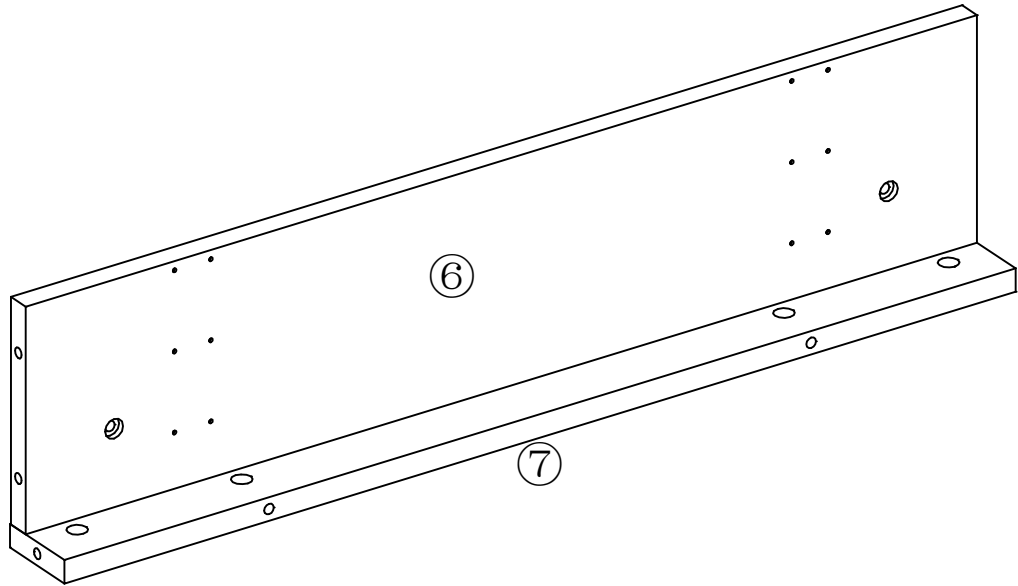
5



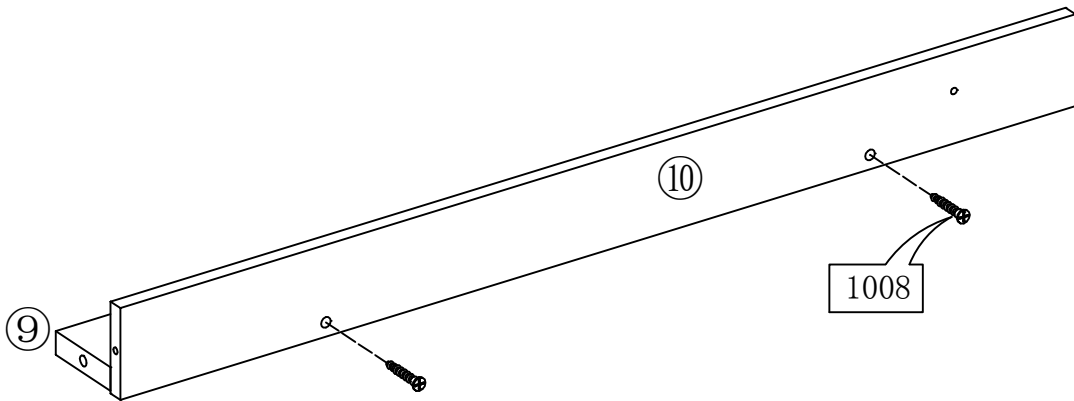
6



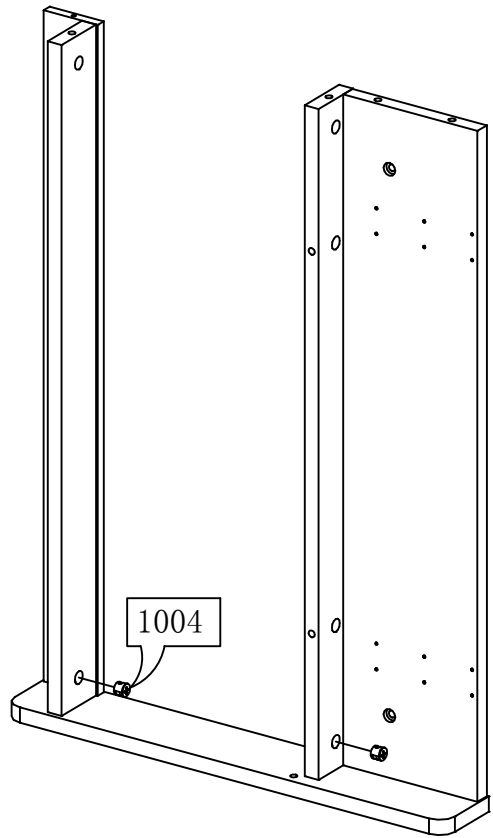
7



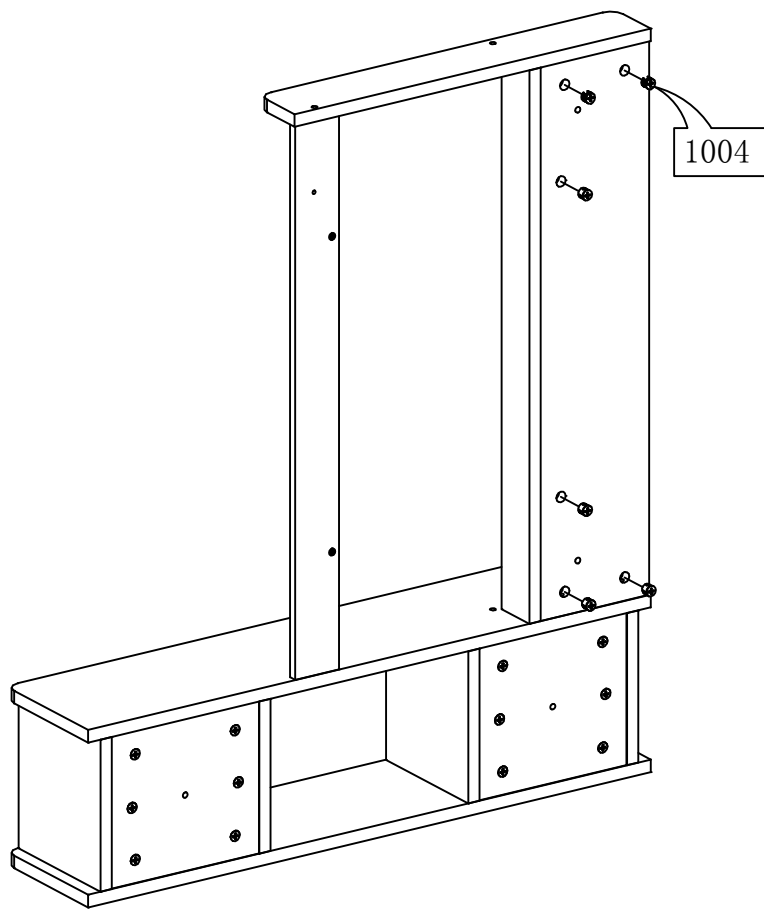
8



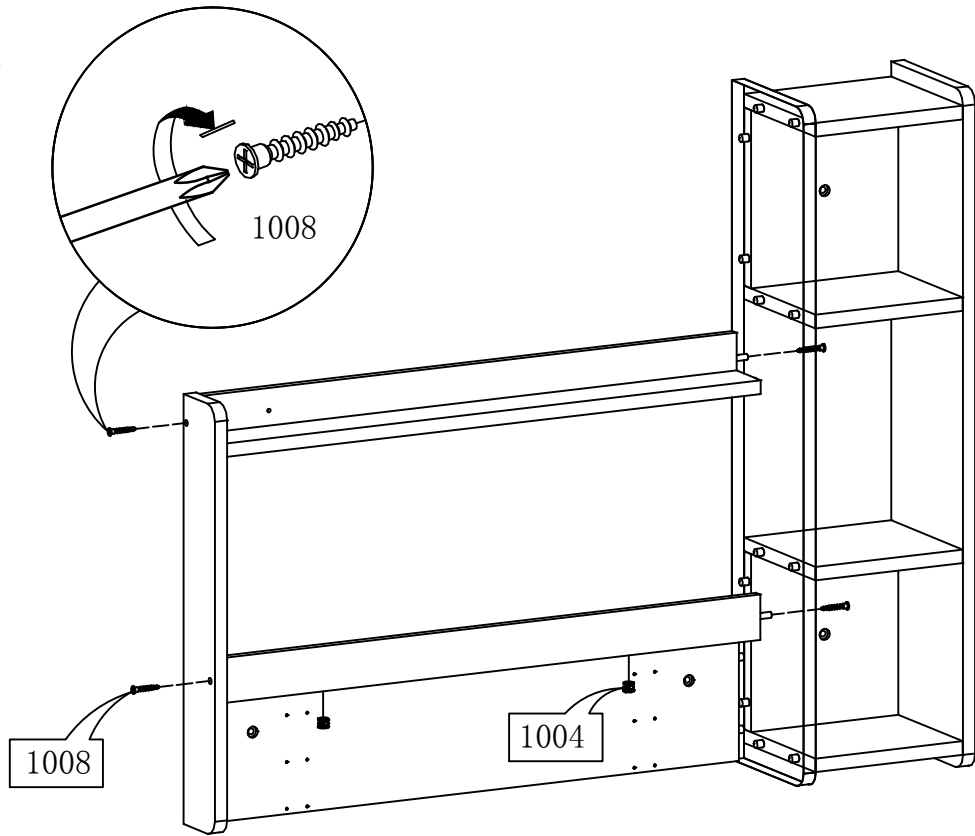
9



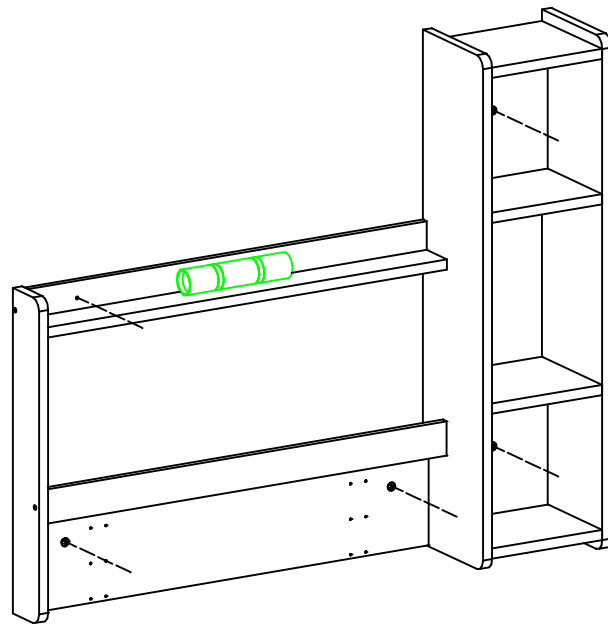
10



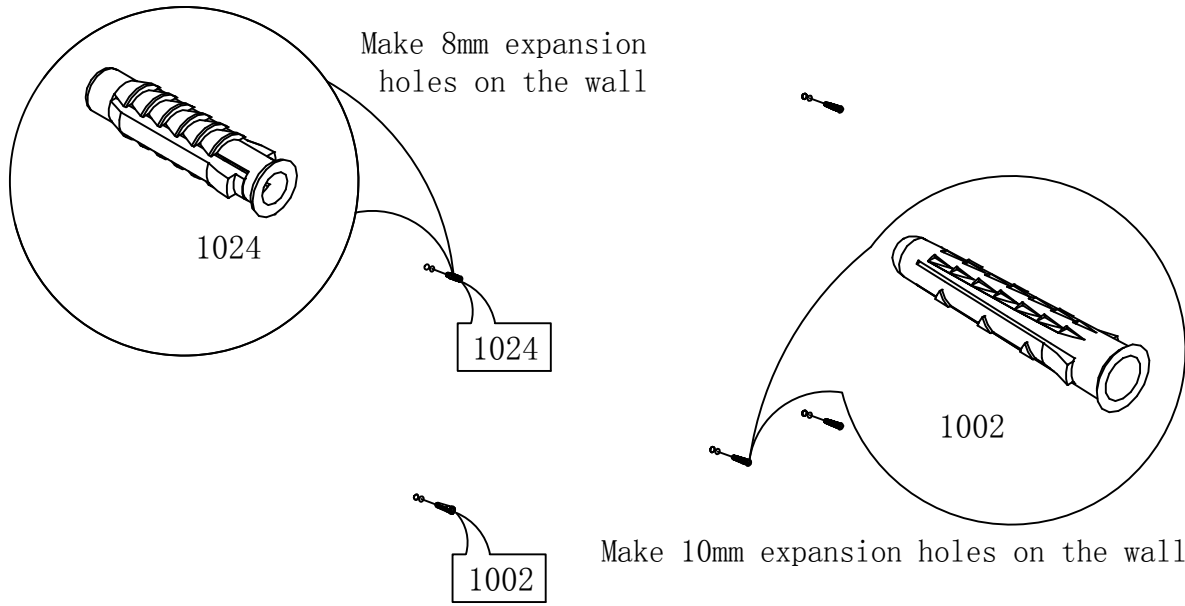
11



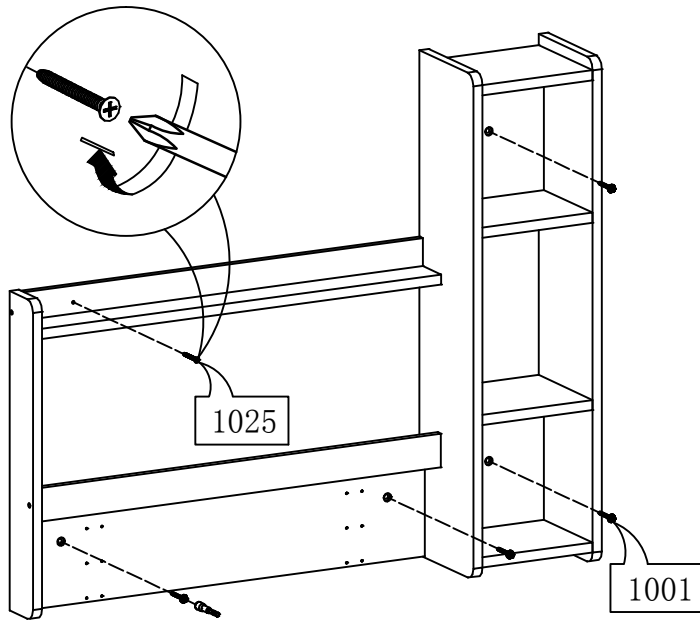
12



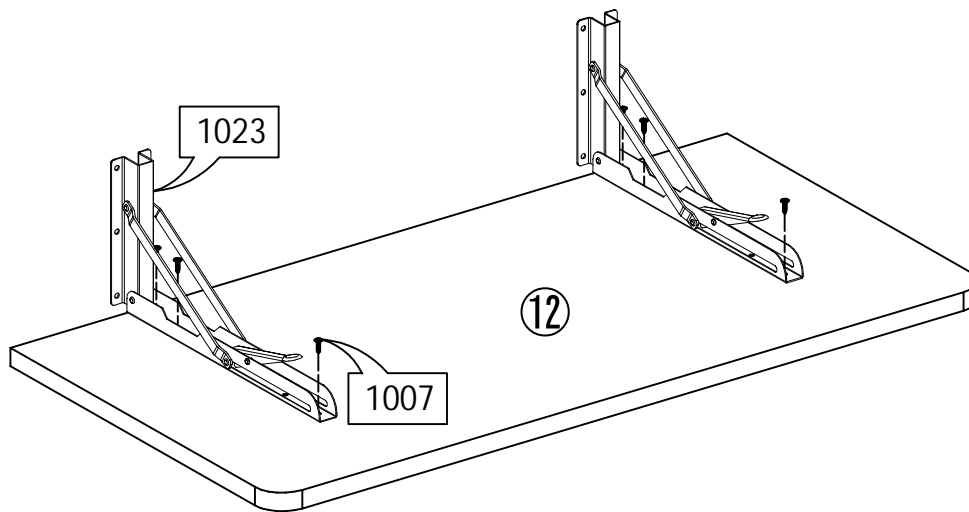
13



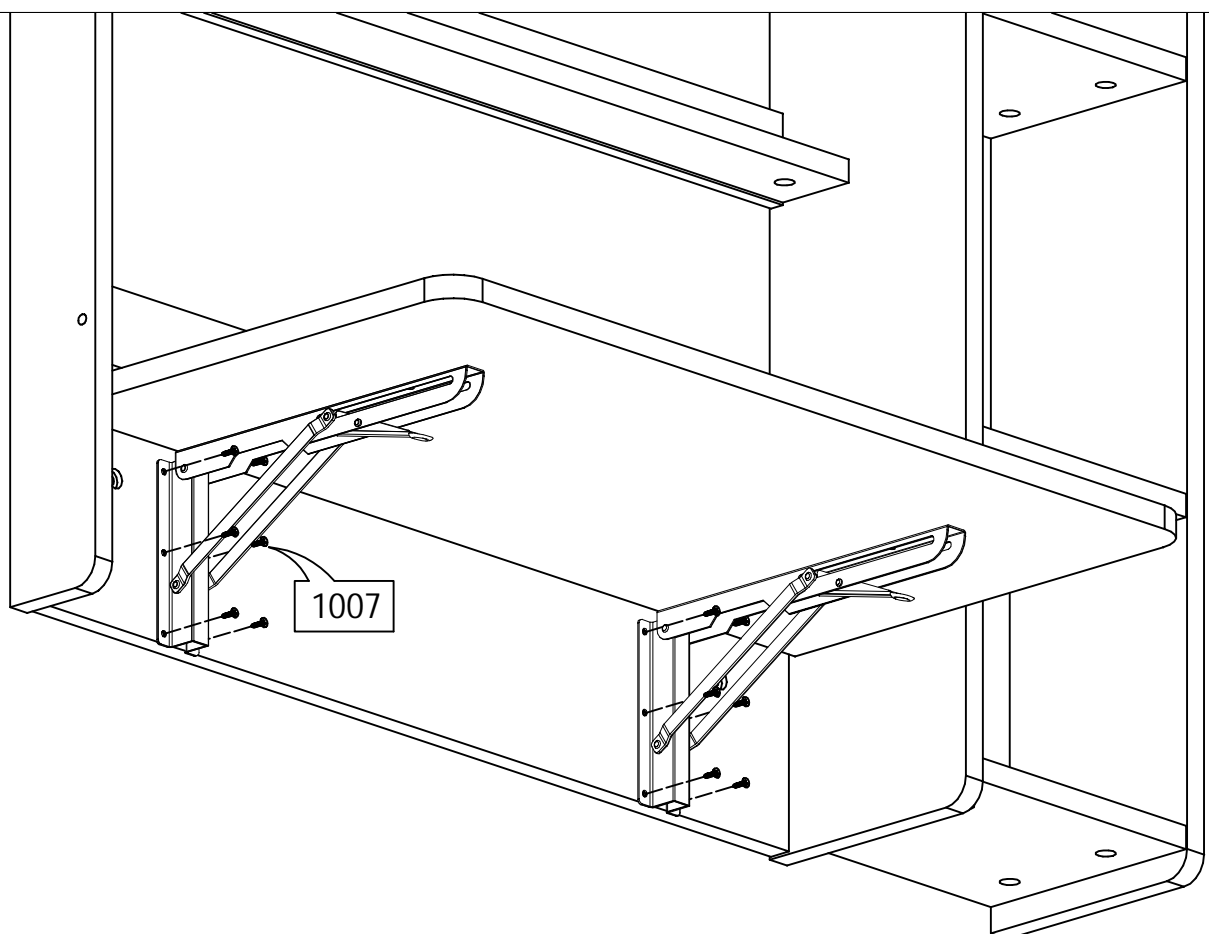
14



15



16



17

