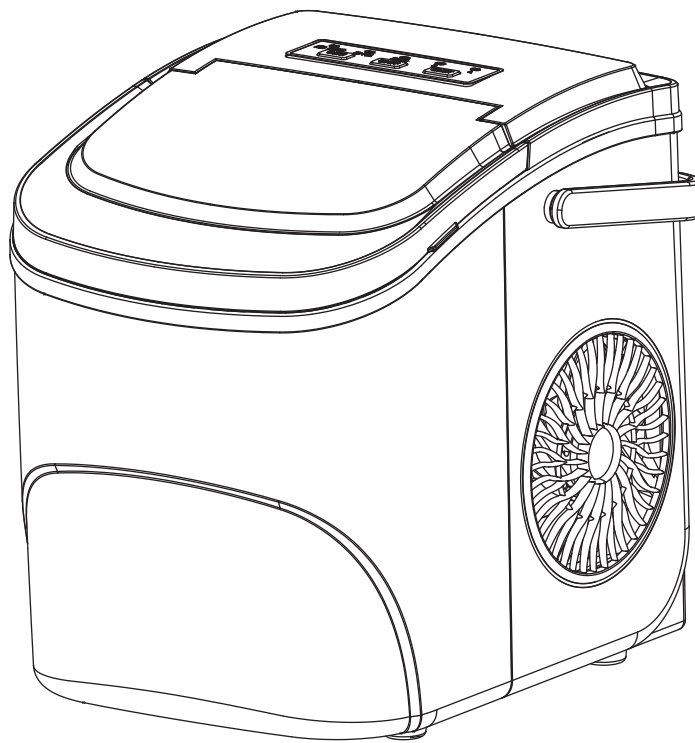


USER MANUAL

PORTABLE AUTOMATIC ICE MAKER



Model No.: HZB-12/H

Thank you for purchasing this product! Please read the instructions carefully before using your portable ice maker. If you have any question about the product, please contact us via customerservice



Scan the QR code to watch the product videos



Web: www.electacticshop.com



Email: service@electacticshop.com


TABLE OF CONTENTS

IMPORTANT SAFETY INSTRUCTIONS	1
Important Safety Tips	1
GETTING TO KNOW YOUR UNIT	3
Package Content	3
Control Panel	4
Handle Assembling	4
BEFORE FIRST USE	5
Unpacking Your Unit	5
Connecting Your Unit	5
Cleaning Your Unit	5
USING YOUR ICE MAKER	6
CLEANING AND MAINTENANCE	7
Self-Cleaning Operation	7
Basic Maintenance Operation	7
TROUBLESHOOTING	8

IMPORTANT SAFETY INSTRUCTIONS

Your safety and the safety of others are very important.

We have provided many important safety messages in the manual for your appliance. All safety messages will tell you what the potential hazard is, how to reduce the chance of injury, and what can happen if the instructions are not followed. Always read and obey all safety messages.

All safety messages will follow the safety alert symbol  and the word "DANGER" or "WARNING" as shown below:

 **DANGER**

 **WARNING**

These words mean: Serious injury may occur if you don't ***immediately*** follow the instructions.

Important Safety Tips

When using electrical appliances, basic safety precautions should be followed to reduce the risk of fire, electric shock, and injury to persons or property. Read all instructions before using any appliance.

- Do not operate this, or any other appliance with a damaged cord.
- If the supply cord is damaged, it must be replaced by the manufacturer or its service agent or a similarly qualified person in order to avoid a hazard.
- This ice-maker must be positioned so that the plug is accessible.
- Connect to properly polarized outlets only. No other appliance should be plugged into the same outlet. Be sure that the plug is fully inserted into the receptacle.
- Do not run the power cord over carpeting or other heat insulators. Do not cover the cord. Keep cord away from traffic areas, and do not submerge it in water.
- We do not recommend the use of an extension cord, as it may overheat and become a risk of fire. If you must use an extension cord, use No. 14AWG minimum size and rated no less than 1875 watts.
- Unplug the ice maker before cleaning or making any repairs or servicing.
- Exercise caution and use reasonable supervision when appliance is used near children.
- Do not use your ice-maker outdoors. Place the ice-maker away from direct sunlight and make sure that there is at least 4 inches of space between the back of your unit and wall. Keep a minimum distance of 4 inches on each side of your unit free.

- Do not use other liquids to make the ice-cube other than water.
- Do not clean your ice maker with flammable fluids. The fumes can create a fire hazard or explosion.
- Do not tip over.
- If the ice maker is brought in from outside in wintertime, give it a few hours to warm up to room temperature before plugging it in.
- **WARNING** – This appliance must be earthed.
- **DANGER** – Risk Of Fire Or Explosion. Flammable Refrigerant Used. Do Not Use Mechanical Devices To Defrost Ice Maker. Do Not Puncture Refrigerant Tubing.
- **DANGER** – Risk Of Fire Or Explosion. Flammable Refrigerant Used. To Be Repaired Only By Trained Service Personnel. Do Not Puncture Refrigerant Tubing.
- **CAUTION** – Risk Of Fire Or Explosion. Flammable Refrigerant Used. Consult Repair Manual/Owner's Guide Before Attempting To Install or Service This Product. All Safety Precautions Must be Followed.
- **CAUTION** – Risk Of Fire Or Explosion. Dispose Of Property In Accordance With Federal Or Local Regulations. Flammable Refrigerant Used .
- **CAUTION** – Risk Of Fire Or Explosion Due To Puncture Of Refrigerant Tubing; Follow Handling Instructions Carefully. Flammable Refrigerant Used.
- The ice maker should be installed in accordance with the safety standard for Refrigeration Systems, ASHRAE15. The ice maker shall not be installed in corridors or hallways of public buildings.
- If the unit is with problem needs to be maintained, that replacing it with like components and that servicing shall be done by factory authorized service personnel, so as to minimize the risk of possible ignition due to incorrect parts or improper service.

IMPORTANT:

The wires in this mains lead are colored in accordance with the following code:

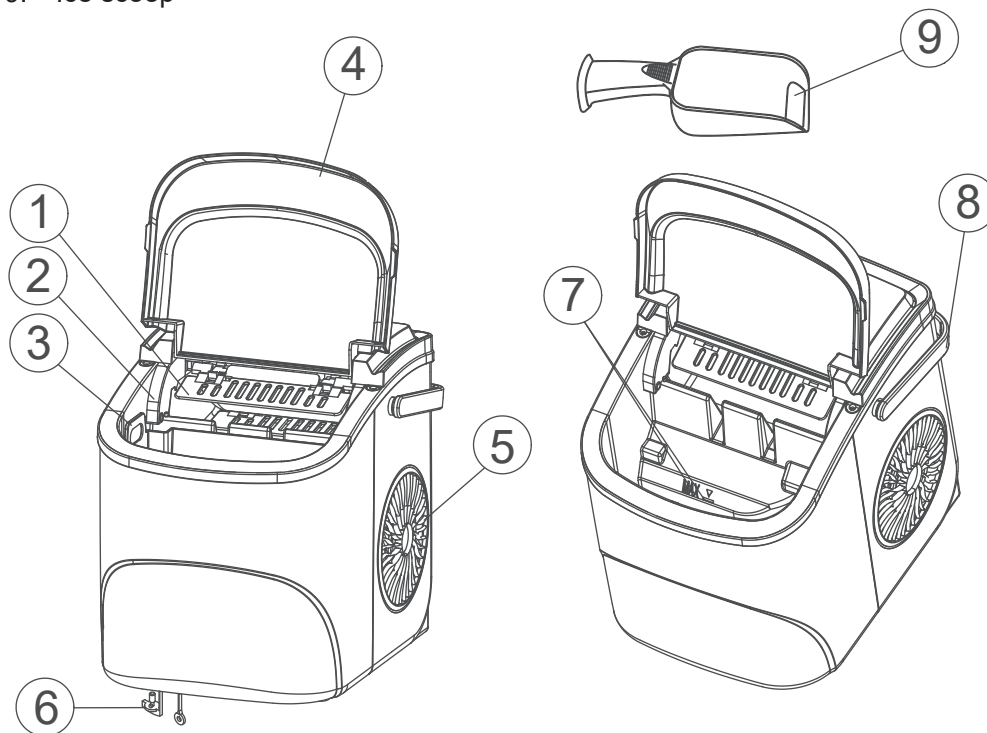
Green or Green with a strip of yellow	Grounding
White	Neutral
Black	Live

To avoid a hazard due to instability of the appliance, it must be placed at an even or flat surface.

GETTING TO KNOW YOUR UNIT

Package Content

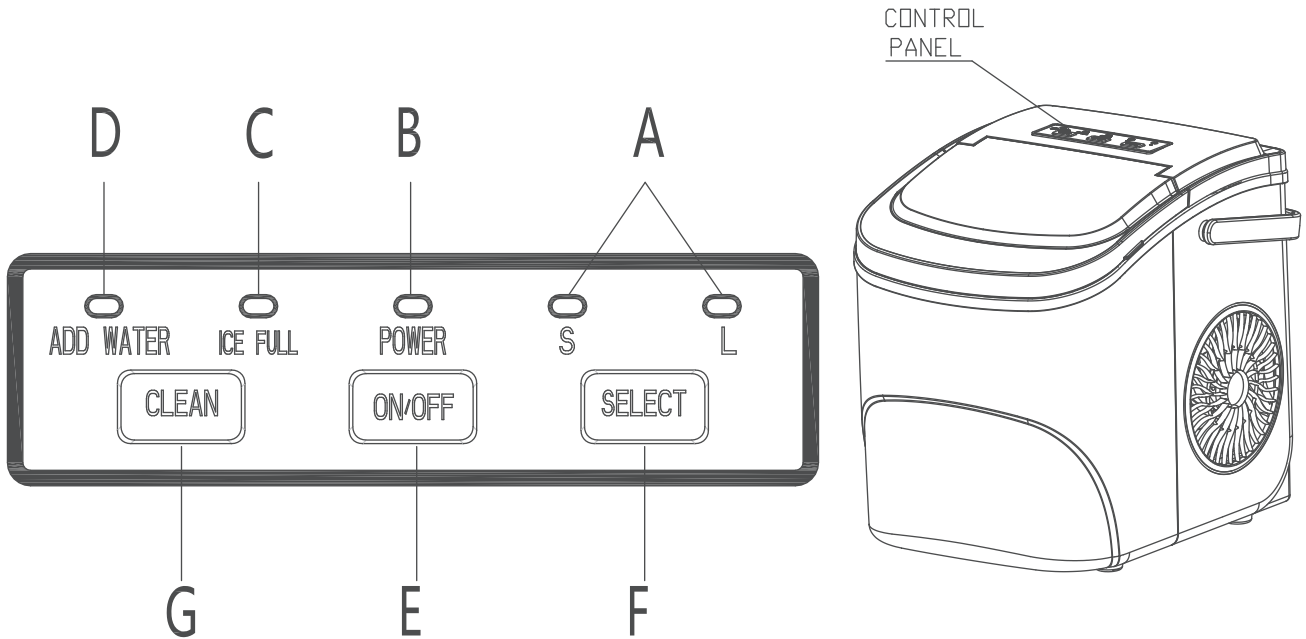
1. Ice shovel
2. Ice full sensor
3. Ice basket
4. Top cover with transparent window
5. Air exhausting
6. Water drain cap: to drain out the water from the unit
(at front bottom side of the unit)
7. Maximum water level mark: remove the ice basket to see the mark
8. Handle
9. Ice scoop



Note: If you find any part damaged or missing, please contact our customer service immediately.

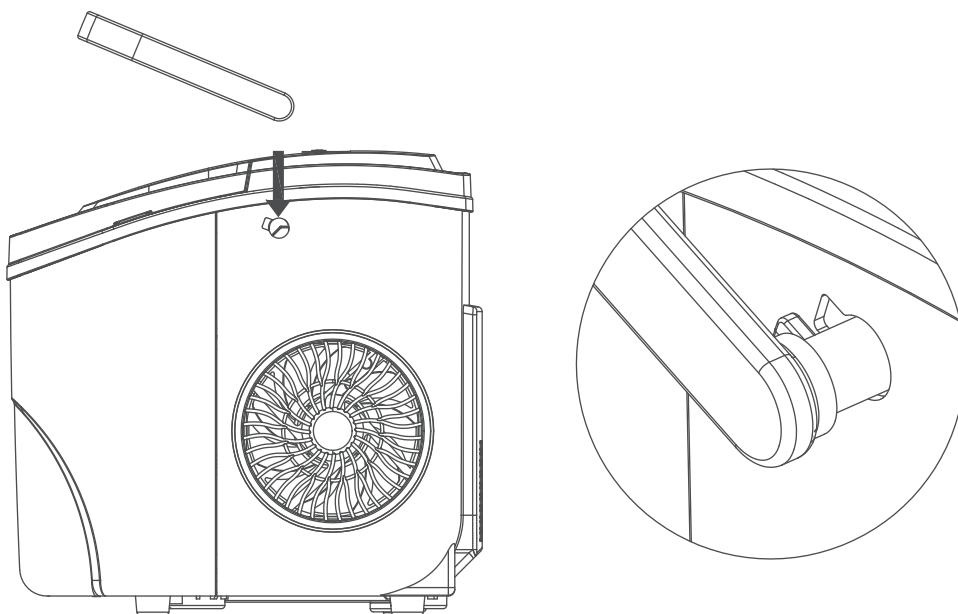
Control Panel

- A. Selected ice size displaying: Small and Large
- B. Power indicator
- C. Ice-Full indicator
- D. Water shortage indicator
- E. Button to turn on/off the unit
- F. Button to select ice cube size
- G. Button to enter the self-cleaning program



Handle Assembling

Rotate the handle to the same angle as the mounting hole on the machine.
Make sure the handle is inserted into the machine.



BEFORE FIRST USE

Unpacking Your Unit

1. Remove the exterior and interior packaging and remove all the tapes on the unit. Check the included accessories according to “Package Content” section.
2. Put the ice maker on a horizontal counter top without direct sunlight and other heat sources (i.e.: stove, furnace, radiator) and allow 4 hours for the refrigerant to settle down.
3. The appliance must be positioned in a place where the plug is accessible.
4. Make sure that there is at least 4 inches between each side of your unit and the wall or obstacles.
5. Do not use the ice maker in room temperatures below 41°F (the recommended room temperature is 50-105°F).

WARNING: Fill the tank with potable water only.

Connecting Your Unit



*** Improper use of the grounded plug can result in the risk of electrical shock. If the power cord is damaged, please call our customer service.**

1. This unit should be properly grounded for your safety. The power cord of this appliance is equipped with a three-prong plug which mates with standard three-prong wall outlets to minimize the possibility of electrical shock.
2. Plug your appliance into an exclusive, properly installed, grounded wall outlet. Do not, under any circumstances, cut or remove the three-prong (ground) from the power cord. Any question concerning power and/or grounding should be directed toward a certified electrician.
3. This appliance requires a standard 110-120volt, 60Hz electrical outlet with three-prong ground.

Cleaning Your Unit

1. External cleaning: Clean the outside of the unit and all the accessories with lukewarm water and a soft cloth.
2. Internal cleaning: Add the appropriate amount of drinking water to the tank, enter the self-cleaning mode and finally drain the wastewater (Please refer to “Self-Cleaning Operation” section).

USING YOUR ICE MAKER

1. Open the top cover and take out the ice basket.
 2. Pour potable water into the water tank below the "MAX" water level mark (Do not exceed the mark).
 3. Insert the plug into the correct socket, and press the "ON/OFF" button on the control panel to begin the ice making cycle.
 4. Select the ice cube size by pressing the "SELECT" button. If the room temperature is lower than 60°F, it is recommended to select small ice cube in order to avoid ice sticking together.
 5. The ice making cycle lasts approx. 6 to 13 minutes, depending on selection of ice cube size and the water and room temperature. The recommended water temperature is 40-90°F, and the recommended room temperature is 50-105°F.
 6. When the water level in the sink is too low that the water pump can't inject water, the unit will stop automatically and the "ADD WATER" indicator will be on. Please fill the water into the tank below the "MAX" water level mark and restart the unit. Allow at least 3 minutes for the refrigerant inside the compressor to settle down before restarting.
 7. The ice maker stops when the ice basket is full and the "ICE FULL" indicator will be on. Please remove the ice and restart the unit to enter the next ice-making cycle.
- Warning: Direct sunlight or sunlight reflection may cause infrared sensor malfunction. If the unit doesn't stop even ice cubes obstruct sensor, move the unit where no sunlight.
8. When the ice-making cycle is completed, take the ice out before it melts.
- Note:** It's normal for the first 4 rounds of ice to be defective, but the ice after that will be perfect.
9. Change water in the water tank every 24 hours and clean the tank to ensure a reasonable hygiene level. If the unit isn't to be used, drain all the water and dry the tank.

CLEANING AND MAINTENANCE

Basic Maintenance Operation

1. Clean the inside of the unit with diluted detergent, lukewarm water and a soft cloth.
2. The outside of the unit should be cleaned regularly with a mild detergent and lukewarm water and a soft cloth.
3. Dry the interior and exterior with a clean soft cloth.

Self-Cleaning Operation

*** Self-Cleaning Operation is only used for basic cleaning, which can not achieve the effect of descaling. For descaling operation, it should be proceed on the basis of the self-cleaning operation.**

1. Take out the ice basket and fill the water in the tank to "MAX" water level mark.

Note: For descaling, please mix an appropriate amount of water and neutral detergent in the tank, and let it sit for 30 minutes, then continue with the following operation.

2. In standby mode, press "CLEAN" to enter the self-cleaning mode for about 30 minutes. During the self-cleaning process, the "POWER" indicator will keep the light on and the "S" and "L" indicators will flash in turn and the liquid in the tank will rinse the interior parts.

3. When self-cleaning process is completed after 30 minutes, please drain the liquid in the tank through the draining outlet at front bottom side of the unit.

Note: For descaling, repeat Step 2 and 3 for several rounds with water until there is no residual descaling solution or odor.

*** Note:** To avoid the growth of mold, please drain water completely and dry the interior when the machine is not to be used for a long time.

*** Note:** It is recommended to proceed descaling operation at least once a week to maximize the life cycle of the product.

TROUBLESHOOTING

PROBLEM	POSSIBLE CAUSE	SOLUTION
The "ADD WATER" indicator is on	▶ Lack of water	▶ Fill water and press "ON/OFF" button again to restart the unit.
The "ADD WATER" indicator is on when there is water in the tank	▶ Program error	▶ Re-plug the unit
	▶ The water level is too low for the water pump to carry water successfully	▶ Add water to MAX mark
	▶ The water pump is blocked	▶ Proceed descaling operation of "Self-Cleaning Operation" section
	▶ The water pump is broken	▶ Please contact our customer service
	▶ The water sensor is broken	
The "ICE FULL" indicator is on when there's no ice in the basket	▶ Program error	▶ Re-plug the unit
	▶ The detection sensor is blocked	▶ Remove the obstruction
	▶ The detection sensor is broken	▶ Please contact our customer service
The ice sticks together	▶ The water temperature is too low	▶ The recommended water temperature is 40-90°F or change the ice size to "S"
No ice produced with normal ice-making process	▶ Refrigerant is leaked	▶ Please contact our customer service
	▶ Refrigerant cooling system is blocked	
	▶ The ambient temperature is too high	▶ The recommended room temperature is 50-105°F

ROWAN ELECTRIC APPLIANCE LLC

**8:30am–5:30pm P.S.T.
Monday to Friday**

Thank you for purchasing this product! If you have any questions about the product such as missing parts, damaged products, product assembling and operation, please contact us via customer service team:



Web: www.electacticshop.com



Email: service@electacticshop.com