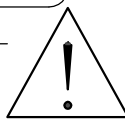
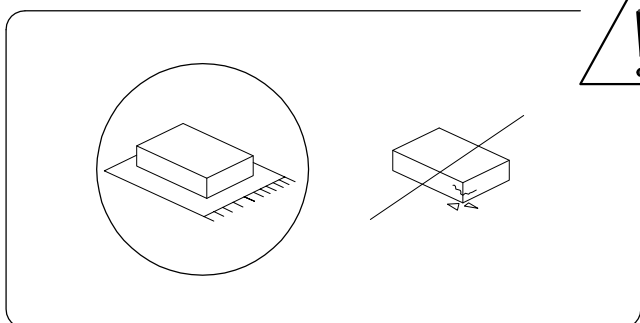
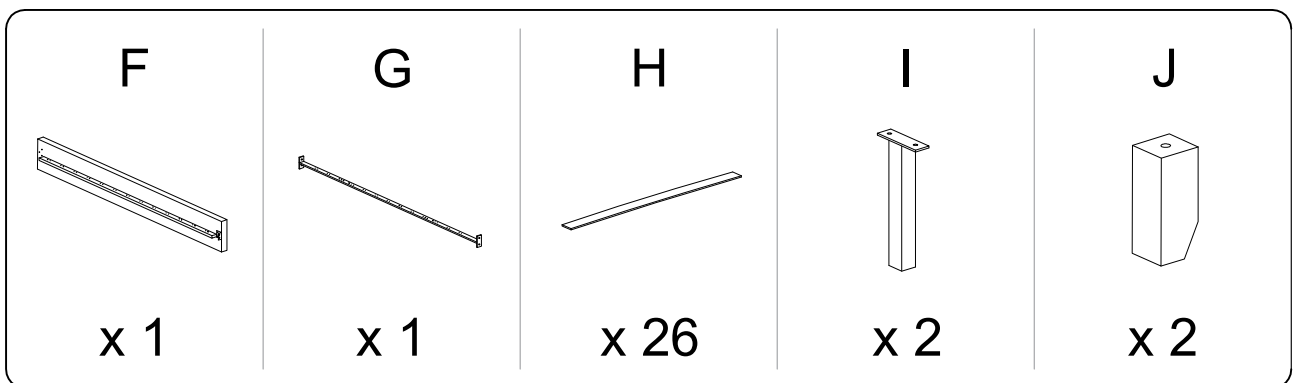
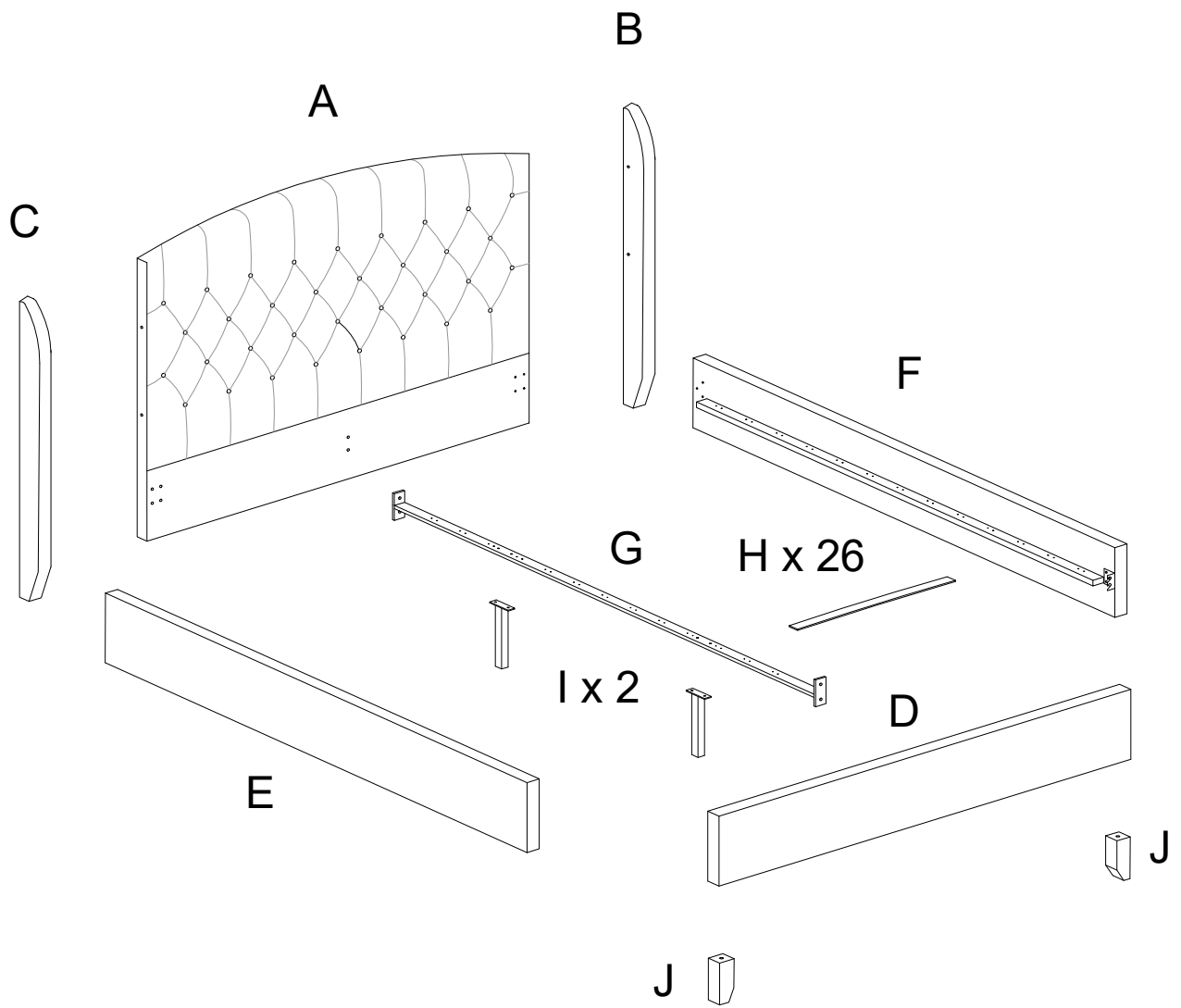
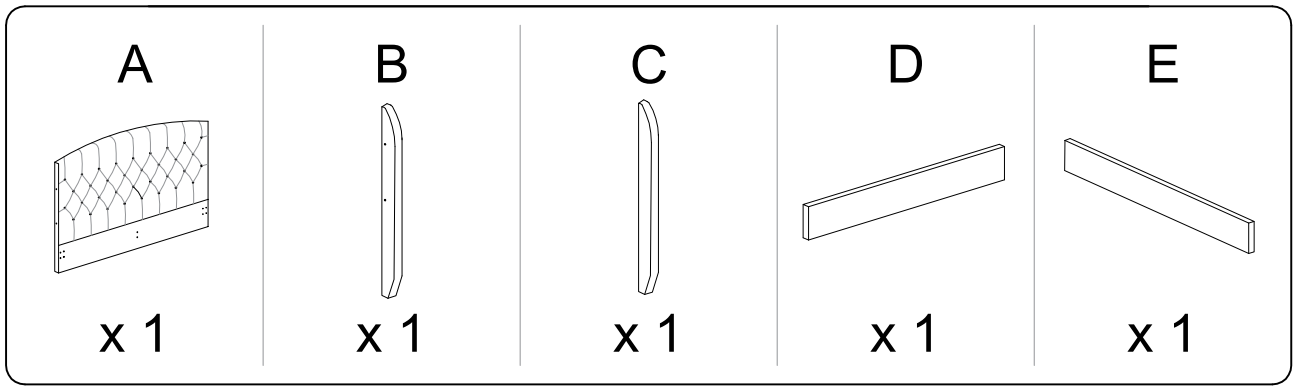


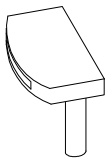
45'



2

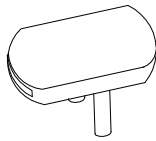


K



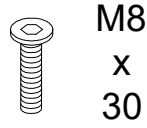
x 26

L



x 13

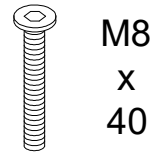
M



M8  
x  
30

x 18

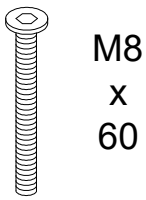
N



M8  
x  
40

x 8

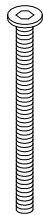
O



M8  
x  
60

x 4

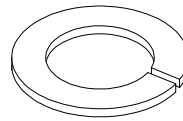
P



M8  
x  
100

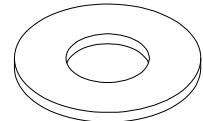
x 2

Q



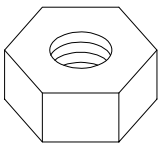
x 30

R



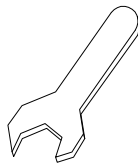
x 30

S



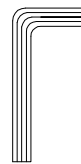
x 4

T



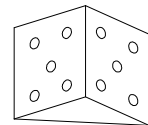
x 1

U



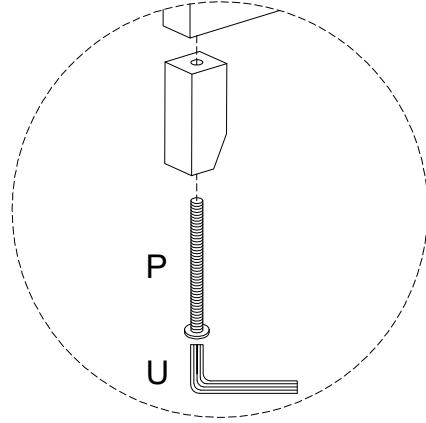
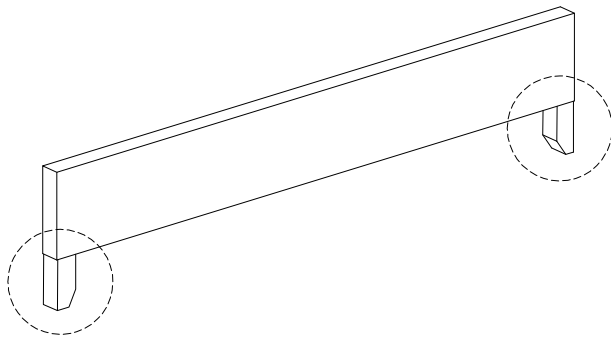
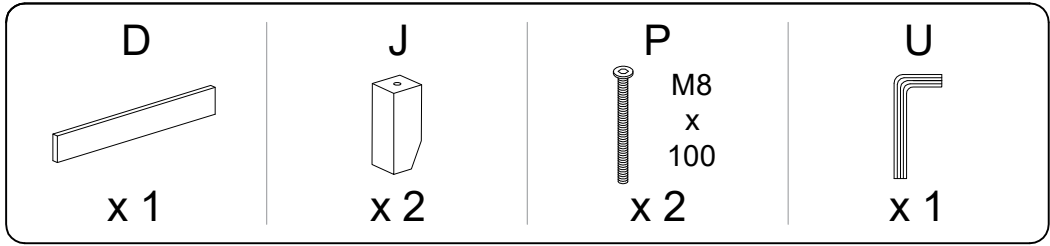
x 1

W

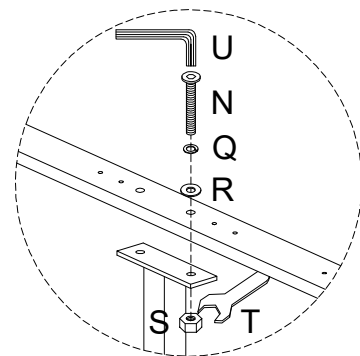
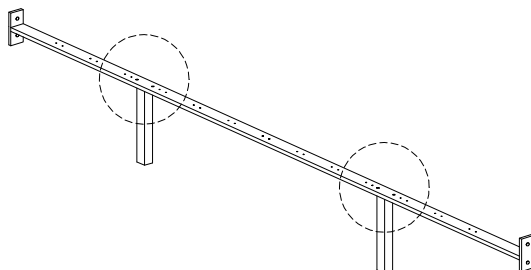
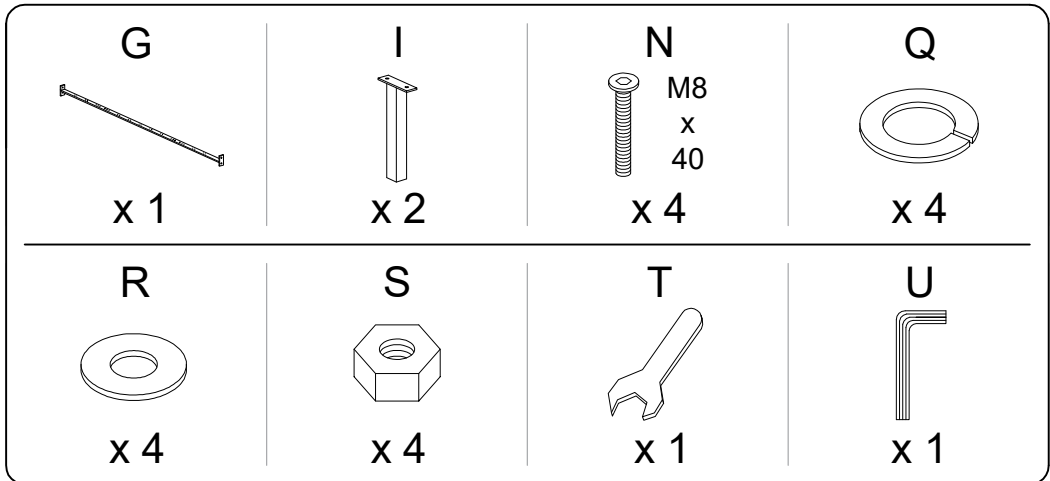


x 2

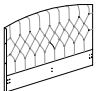



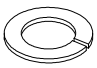
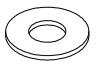

1

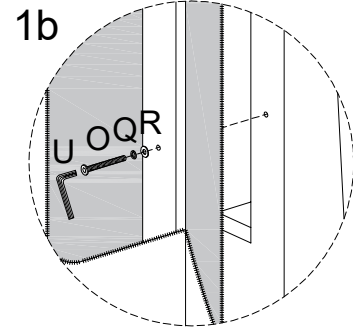
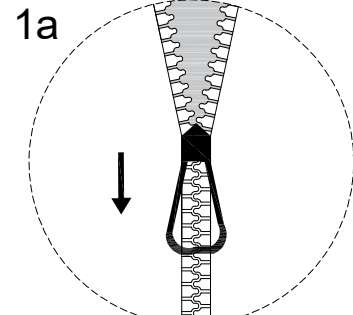
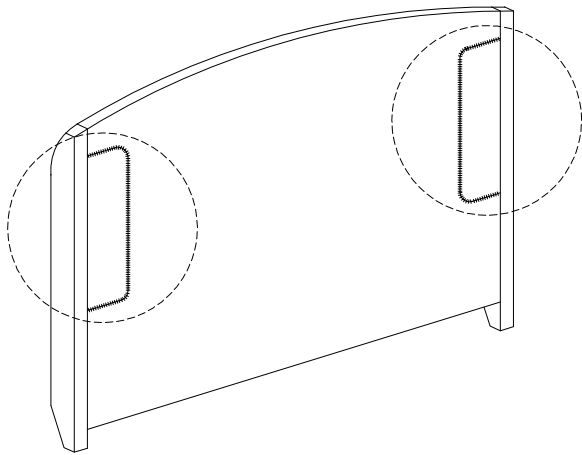


2





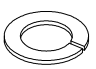

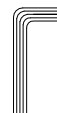
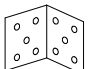


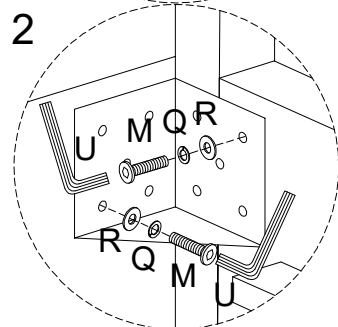
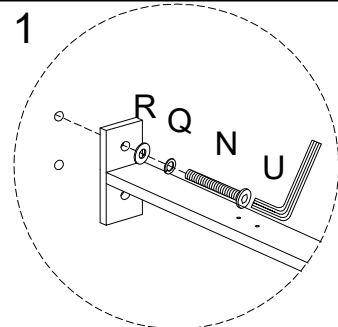
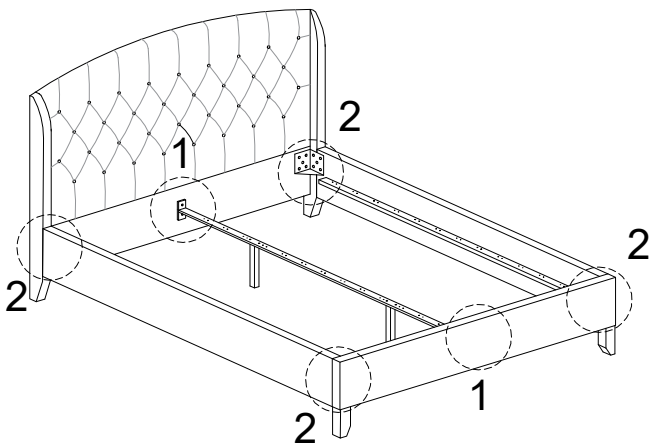
3

<b>A</b>  x 1	<b>B</b>  x 1	<b>C</b>  x 1	<b>O</b>  M8 x 60 x 4	<b>Q</b>  x 4	<b>R</b>  x 4	<b>U</b>  x 1
------------------------------------------------------------------------------------------------------	------------------------------------------------------------------------------------------------------	------------------------------------------------------------------------------------------------------	-----------------------------------------------------------------------------------------------------------------	-------------------------------------------------------------------------------------------------------	--------------------------------------------------------------------------------------------------------	--------------------------------------------------------------------------------------------------------

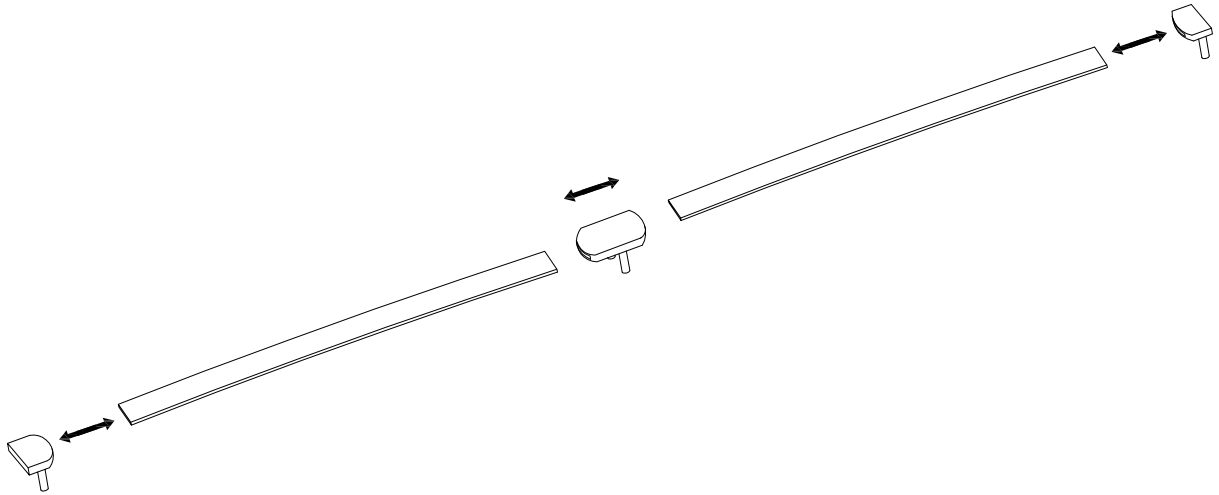
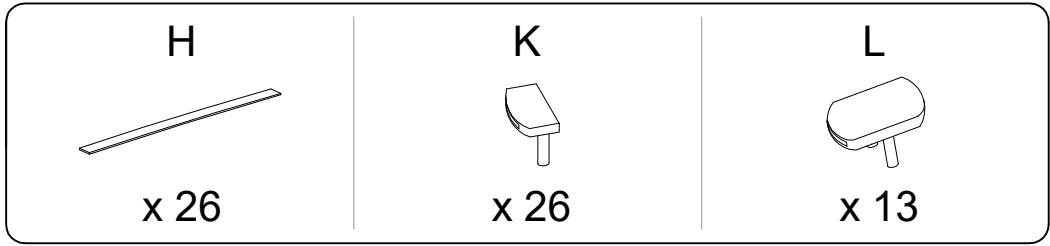


4

<b>E</b>  x 1	<b>F</b>  x 1	<b>M</b>  M8 x 30 x 18	<b>N</b>  M8 x 40 x 4	<b>Q</b>  x 22	<b>R</b>  x 22	<b>U</b>  x 1	<b>W</b>  x 2
--------------------------------------------------------------------------------------------------------	--------------------------------------------------------------------------------------------------------	--------------------------------------------------------------------------------------------------------------------	-------------------------------------------------------------------------------------------------------------------	----------------------------------------------------------------------------------------------------------	-----------------------------------------------------------------------------------------------------------	----------------------------------------------------------------------------------------------------------	----------------------------------------------------------------------------------------------------------



5



6

