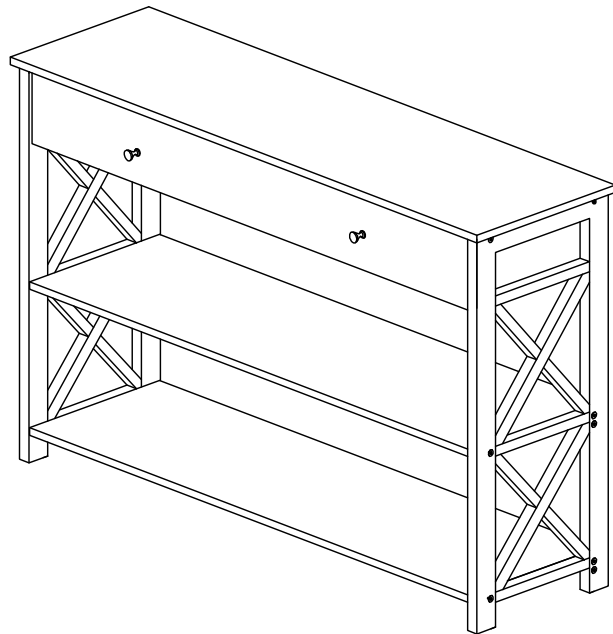


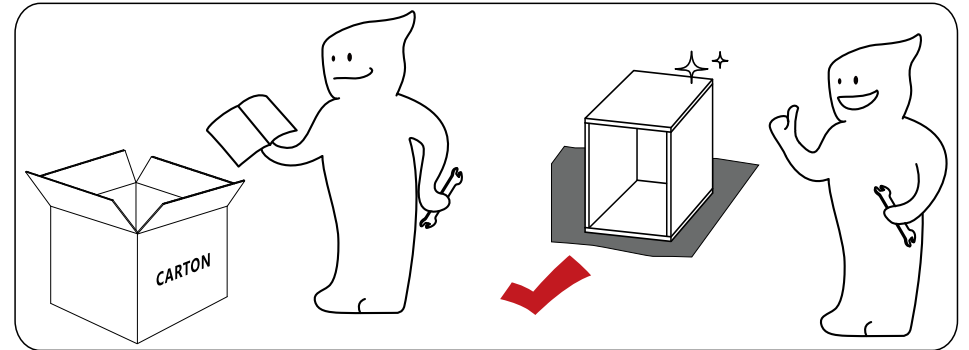
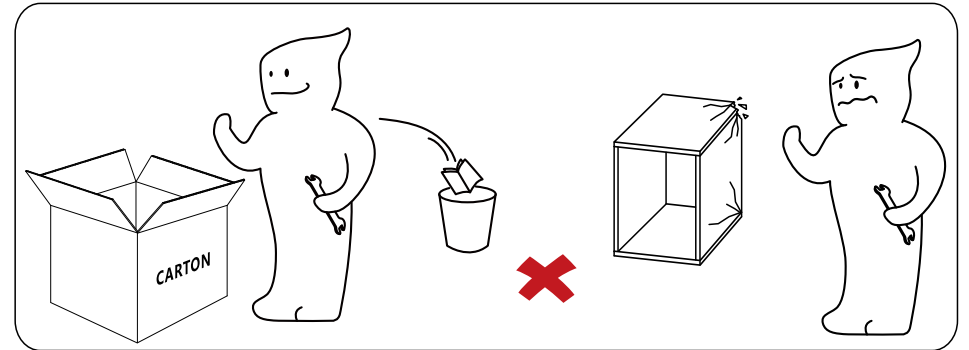
# CONSOLE TABLE

## Assembly Instructions



# ! IMPORTANT





Please follow the instruction manuals and use a pad to avoid damage during assembly.

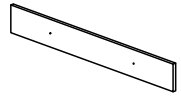
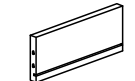
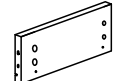
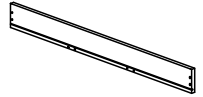


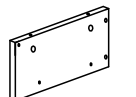
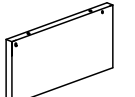
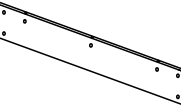


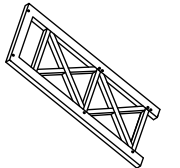
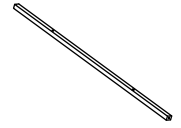
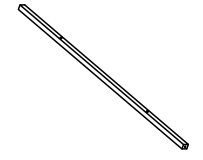
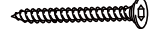






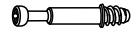


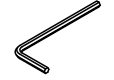
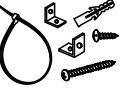


For easier and better assembly, **2** or more adults are required.

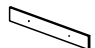
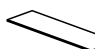





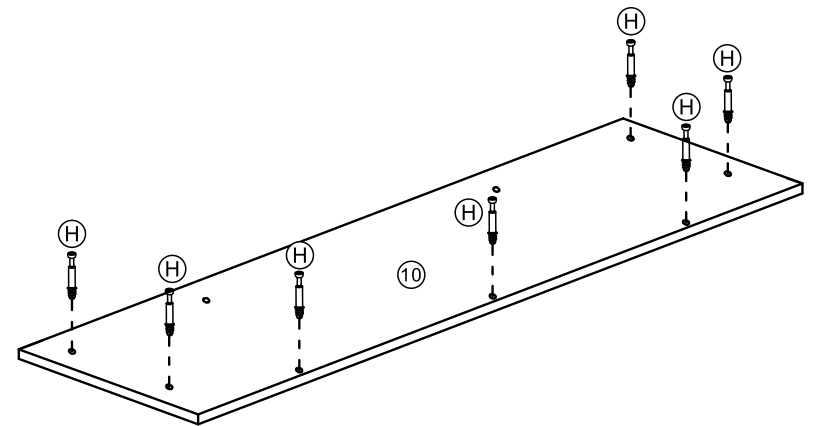
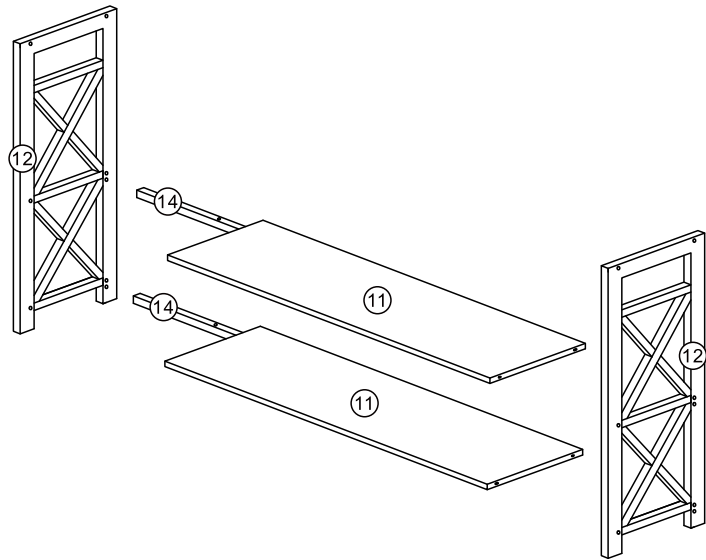
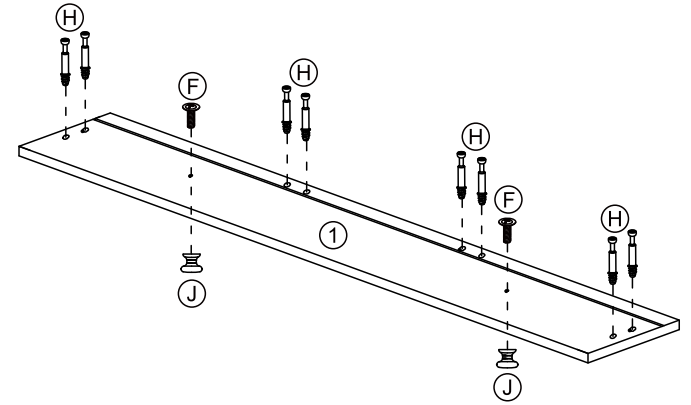
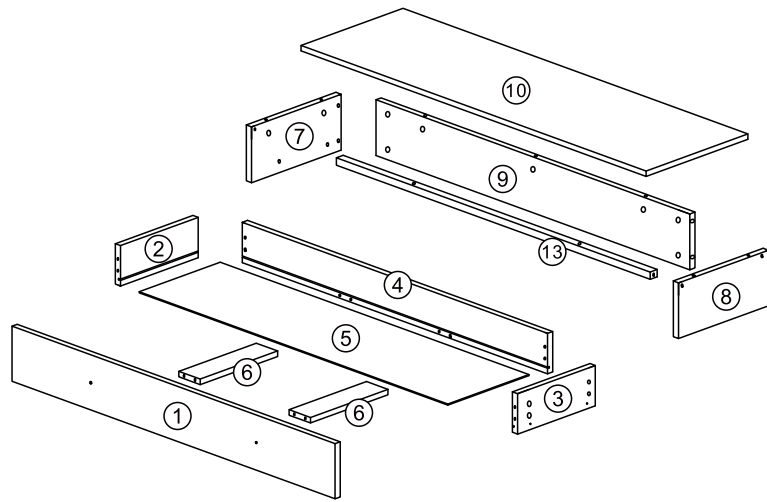
The expected assembly time for this product is **1 h**, depending on the individual's manipulative ability.

	<p>Not intended for use by children. Please keep your children closely supervised.</p>
	<p>Keep away from fire or other heat sources.</p>
	<p>Do not use harsh cleaner for cleaning!</p>
	<p>We recommend wearing protective gloves for assembly.</p>
	<p>Identify, sort and count the parts before assembly.</p>

<p>①x1</p> 	<p>②x1 L</p> 	<p>③x1 R</p> 	<p>④x1</p> 	
<p>⑤x1</p> 	<p>⑥x2</p> 	<p>⑦x1 L</p> 	<p>⑧x1 R</p> 	
<p>⑨x1</p> 	<p>⑩x1</p> 	<p>⑪x2</p> 	<p>⑫x2</p> 	
<p>⑬x1</p> 	<p>⑭x2</p> 	<p>Ⓐx16</p> 	<p>Ⓑx8</p> 	
<p>Ⓒx2</p>  <p>60mm</p>	<p>Ⓓx4</p>  <p>40mm</p>	<p>Ⓔx8</p>  <p>30mm</p>	<p>Ⓕx2</p> 	<p>Ⓖx19</p> 
<p>Ⓕx19</p> 	<p>Ⓖx2</p> 	<p>Ⓙx2</p> 	<p>Ⓚx1</p> 	<p>Ⓛx2</p> 

1

①		x1
⑩		x1
ⓕ		x2
ⓓ		x15
ⓐ		x2

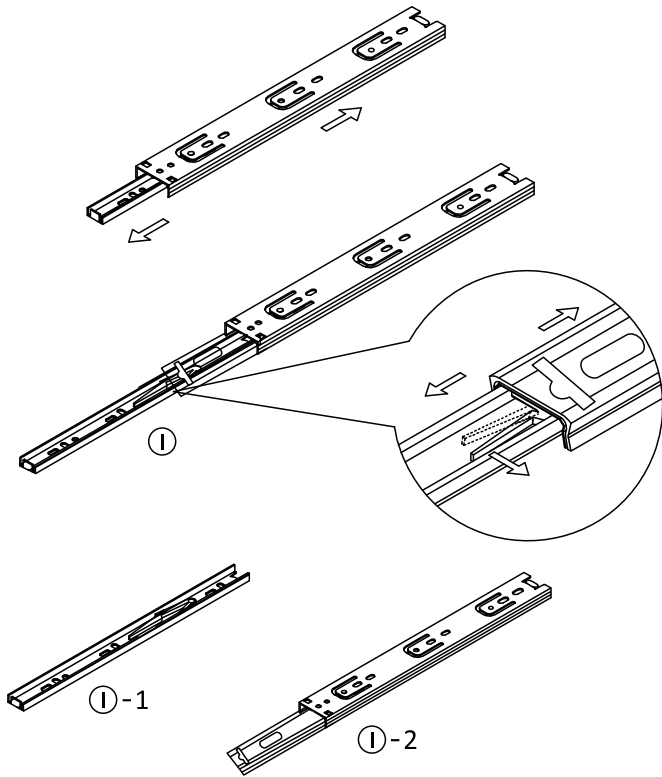


2



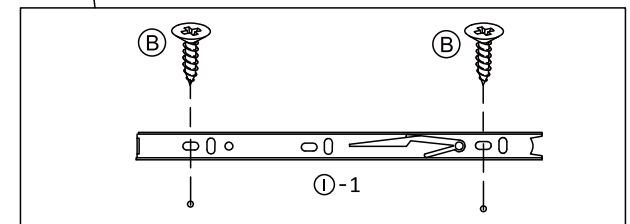
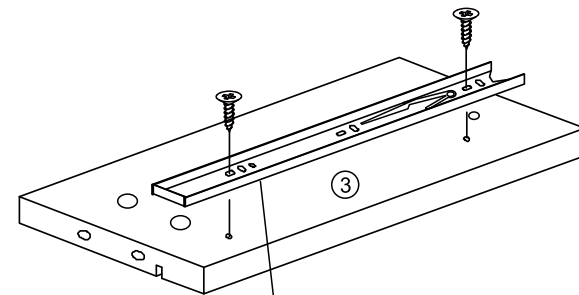
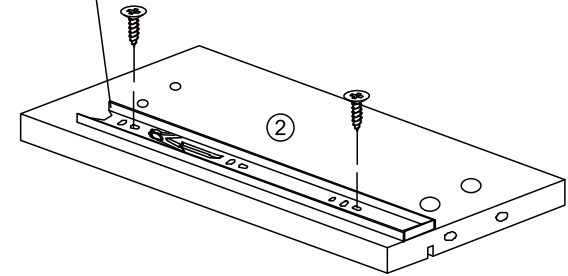
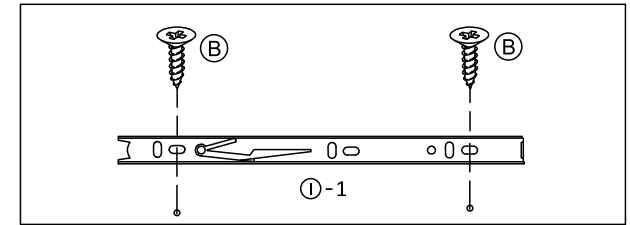
**Note:** To disassemble the slide rails, first pull out the slide rails. Then use a screwdriver to flip up the plastic parts and draw tracks to the sides.

EN

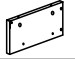
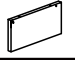

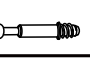



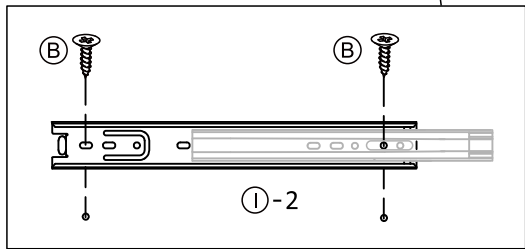
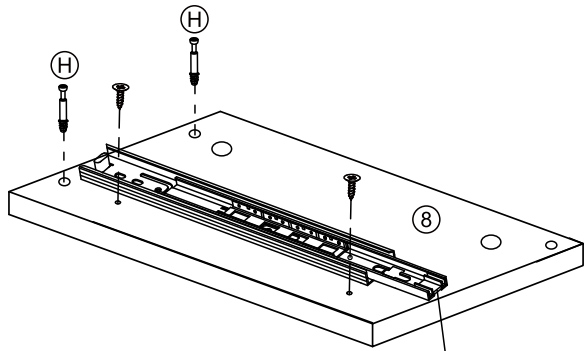
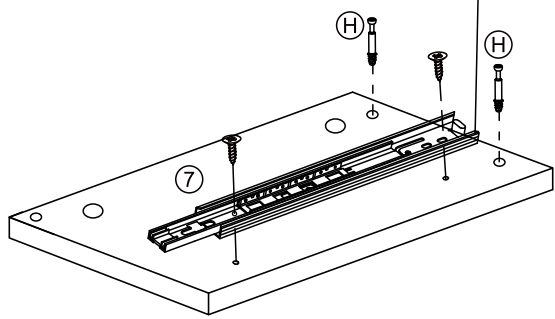
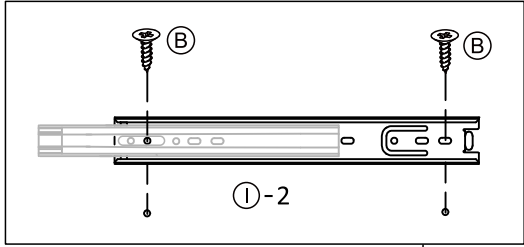
3

②		x1
③		x1
Ⓑ		x4
①-1		x2





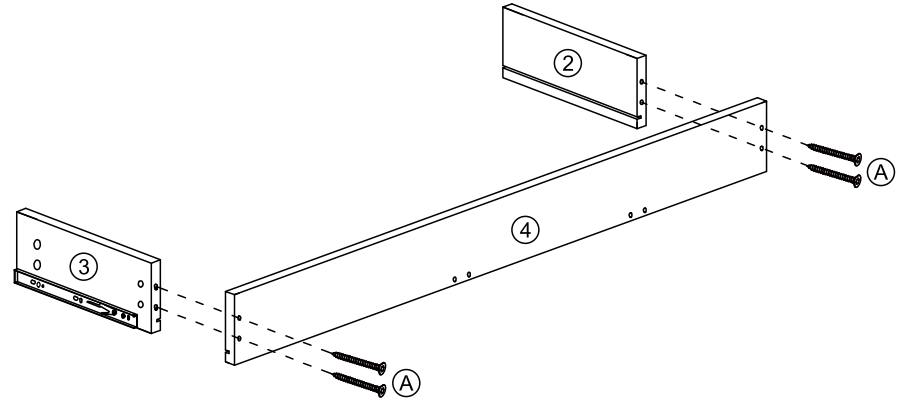
4

⑦		x1
⑧		x1
Ⓑ		x4
Ⓗ		x4
①-2		x2

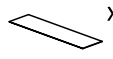


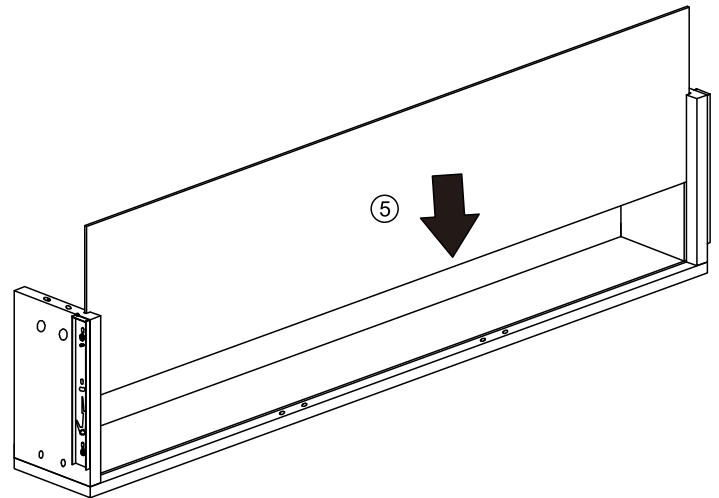
5

④		x1
Ⓐ		x4

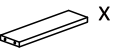




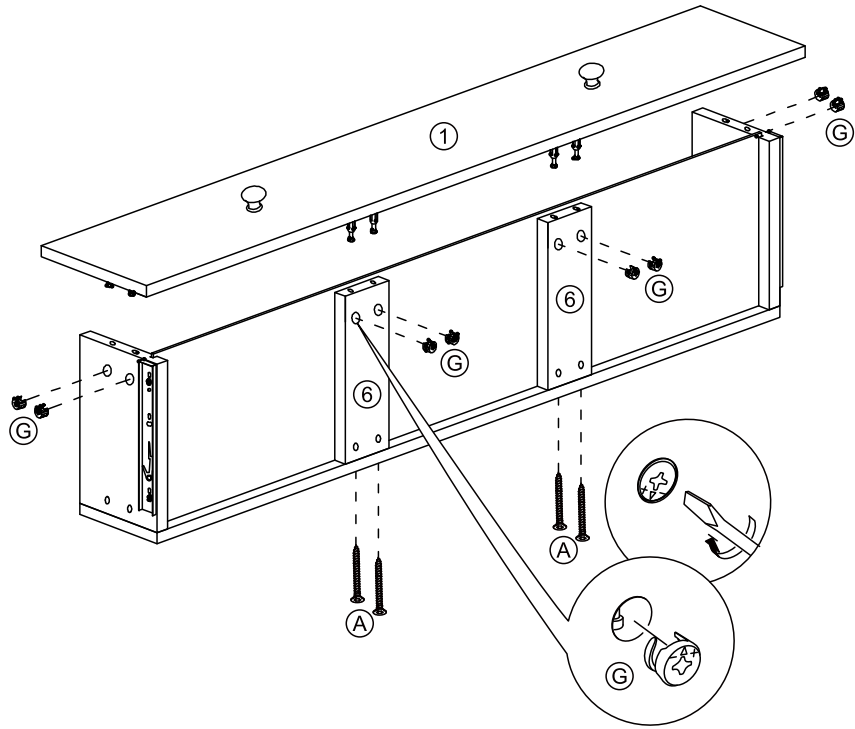
6

⑤		x1
---	---	----





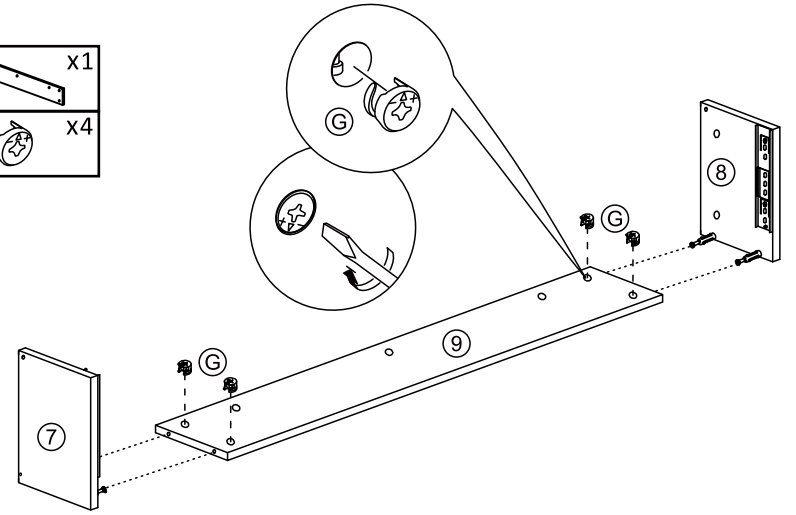
7

⑥	 x2
Ⓐ	 x4
Ⓒ	 x8



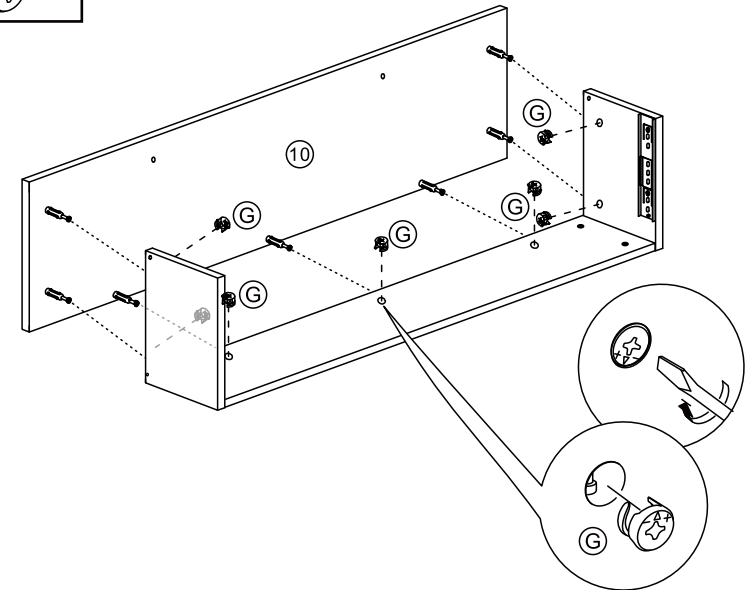
8

⑨	 x1
Ⓒ	 x4





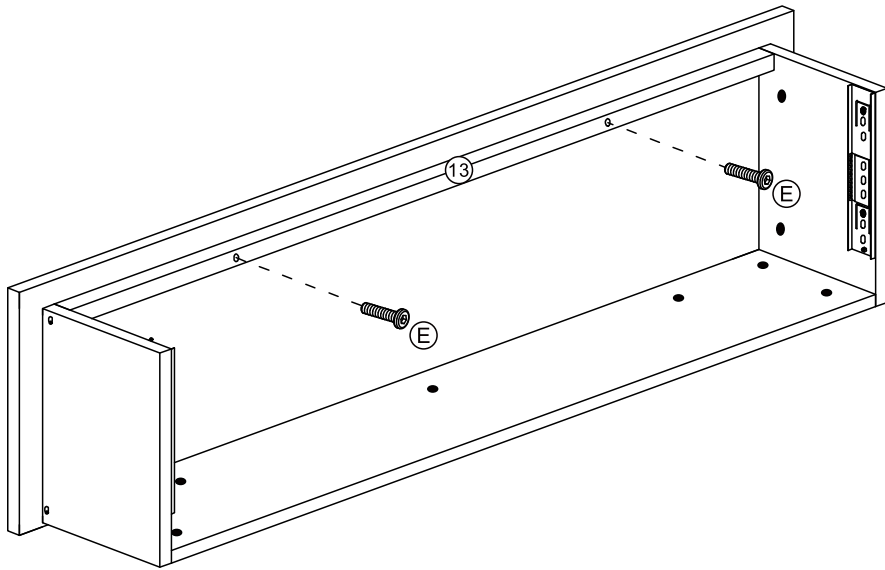
9

Ⓒ	 x7
---	--

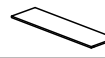




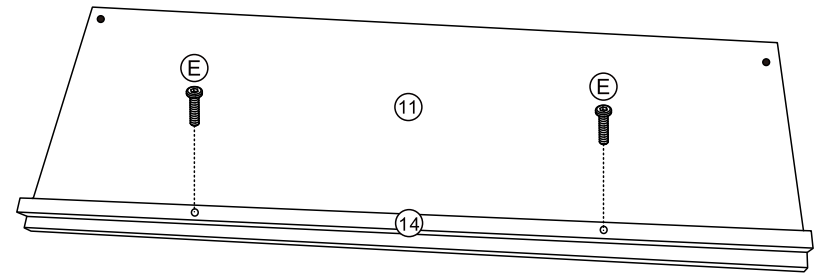
10

13		x1
E		x2






11

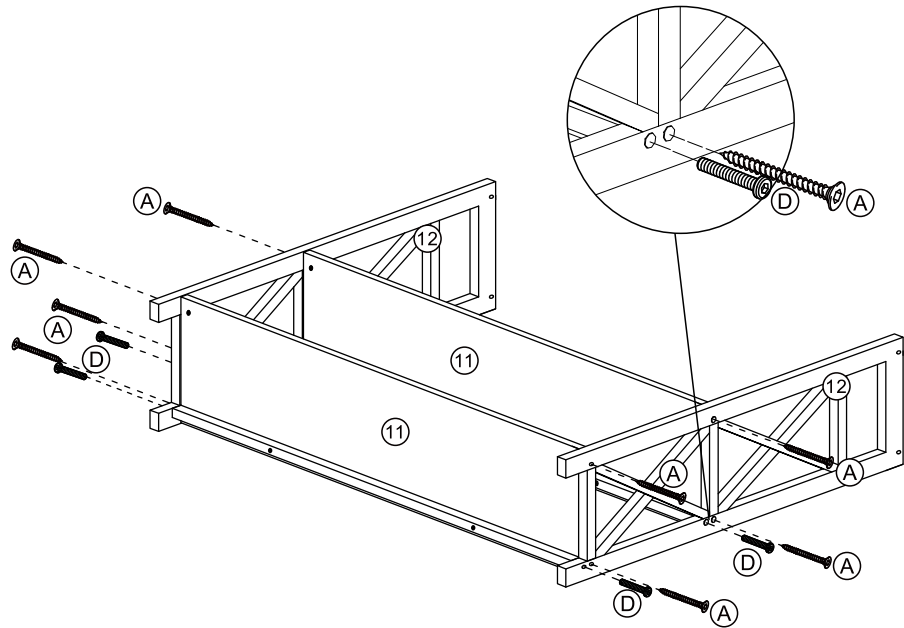
11		x1
14		x1
E		x2



**X2**

12



12		x2
A		x8
D		x4

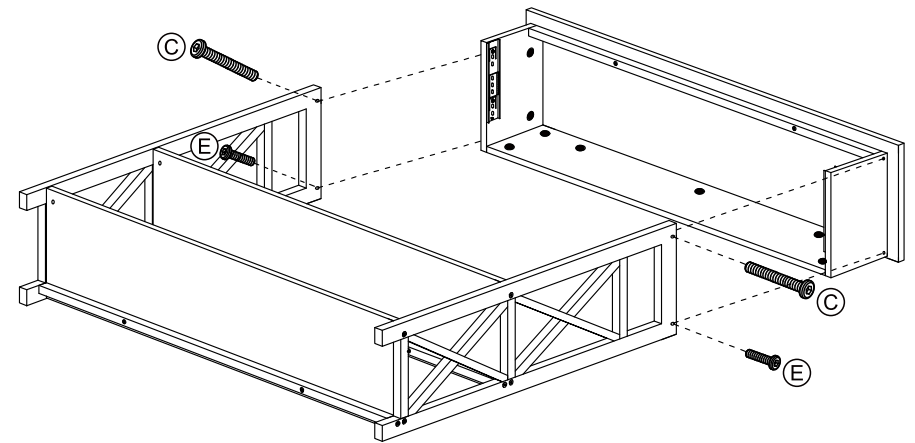


**Note:** During the assembly, please first half-tighten all the screws into the holes. After all the screws are set, fully tighten them.

EN

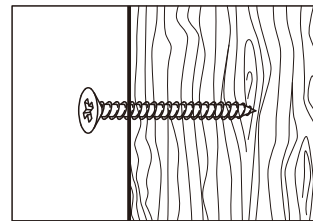
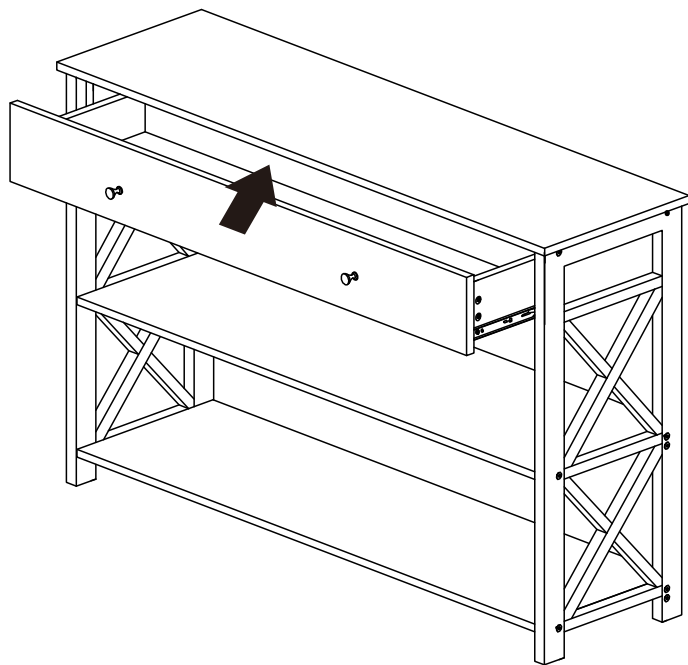
13

C		x2
E		x2



**Note:** During the assembly, please first half-tighten all the screws into the holes. After all the screws are set, fully tighten them.

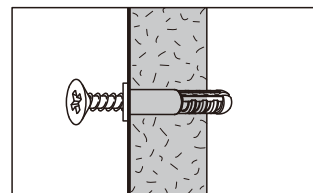
EN



**Drywall or plaster with available wood stud:**

- Mark the attachment point(s) with a pencil at the appropriate height and positioned over wood stud(s).
- Drill a pilot hole(s) with a diameter that matches the screw into the wood stud(s), at the height you marked with pencil.

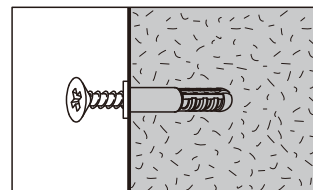
- Secure the screw to the wood firmly as the picture shows.



**Drywall without available wood stud:**

- Mark the attachment point(s) with a pencil at the appropriate height.
- Drill a hole(s) with a diameter that matches the plastic anchor through the wall at the height you marked with pencil.

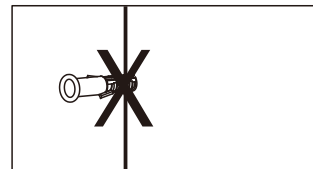
- Drive the plastic plug(s) into the hole(s), using a hammer if needed.
- Insert the screw into the plastic plug firmly as the picture shows. Do not over-tighten.



**Masonry:**

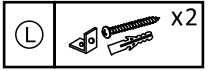
- Mark the attachment point(s) with a pencil at the appropriate height.
- Drill a hole(s) with a diameter and depth that match the plastic anchor through the wall at the height you marked with pencil.

- Drive the plastic plug(s) into the hole(s), using a hammer if needed.
- Insert the screw into the plastic plug firmly as the picture shows. Do not over-tighten.



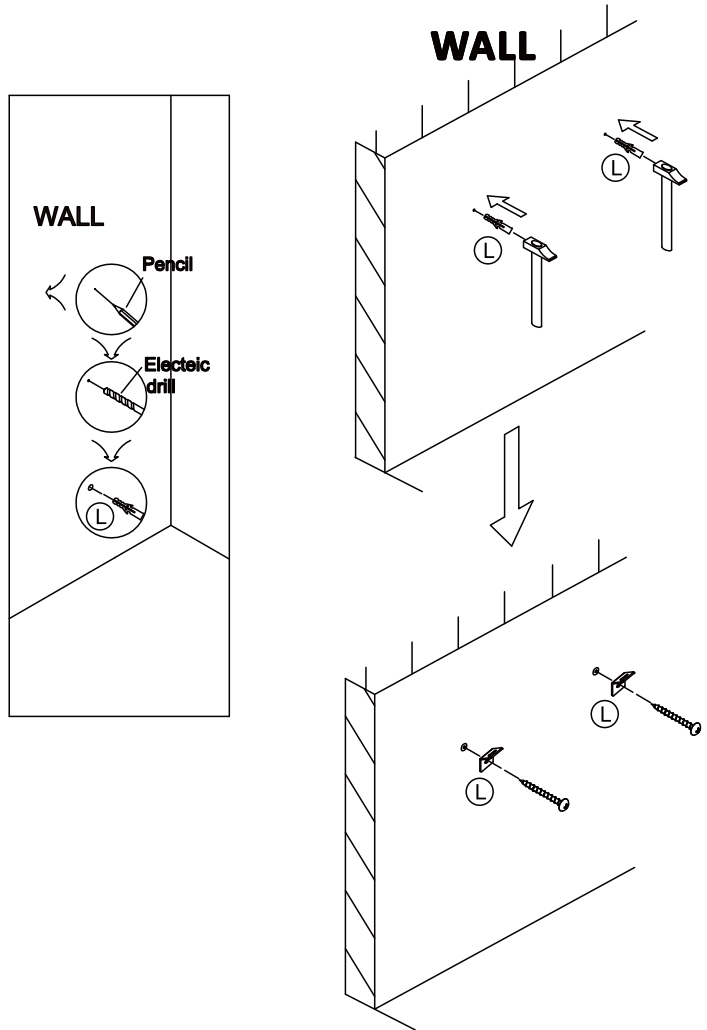
If the screw can't be secured to the wall, please keep the product away from children.

15

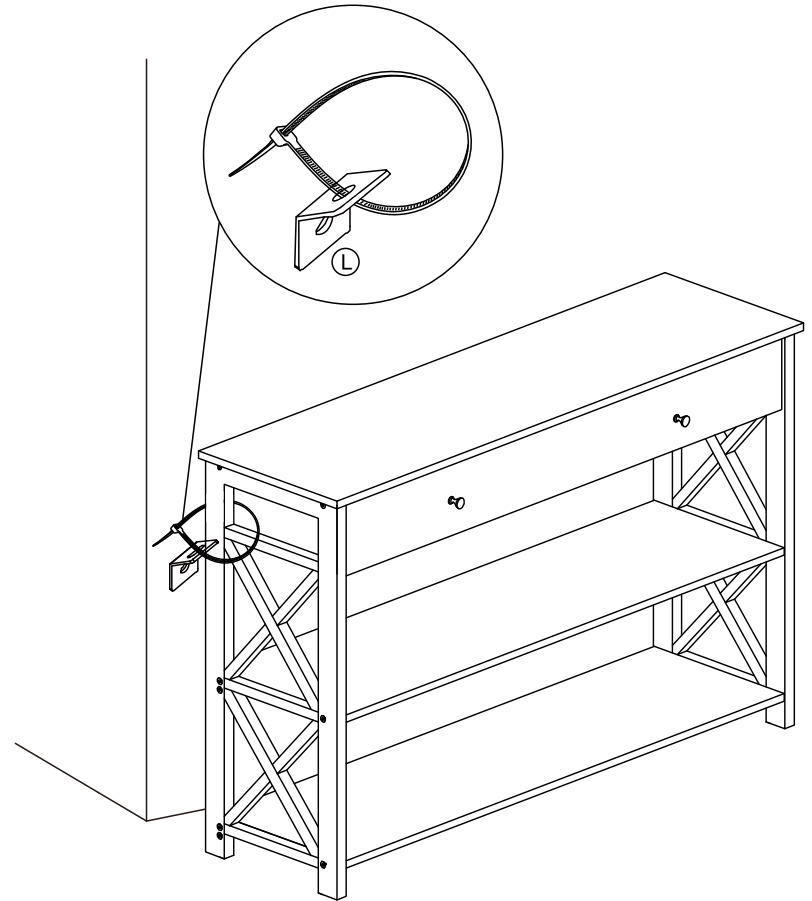


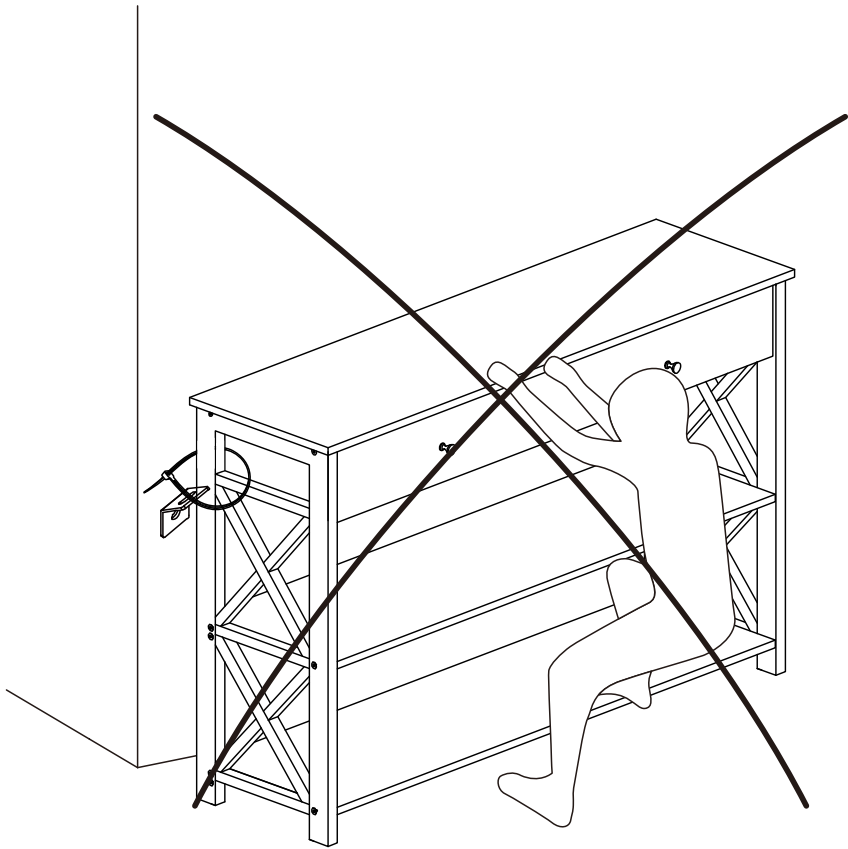
EN

**WALL ANCHORING GUIDE:** Using the guide below, identify your wall material and the appropriate steps to take for that wall material.



16





Check every 6 months that all assembly fastenings are properly tightened and retighten when necessary.

EN