


TOV



Follow us!

Show your new purchase some love by tagging it on our Instagram!

 @tovfurniture

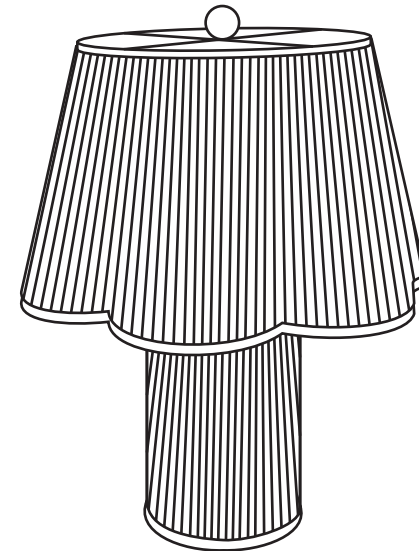
 516-888-3355

CARE & MAINTENANCE

Do not use polishes or cleaners on your Table
USE DRY CLOTH TO CLEAN.

Thank you for purchasing the **Corrine Table Lamp**
This page lists all contents included in the box.
Please take time to identify all the parts of this product.
As you unpack and prepare for assembly, place
the contents on a carpeted or padded area to protect them
from damage.

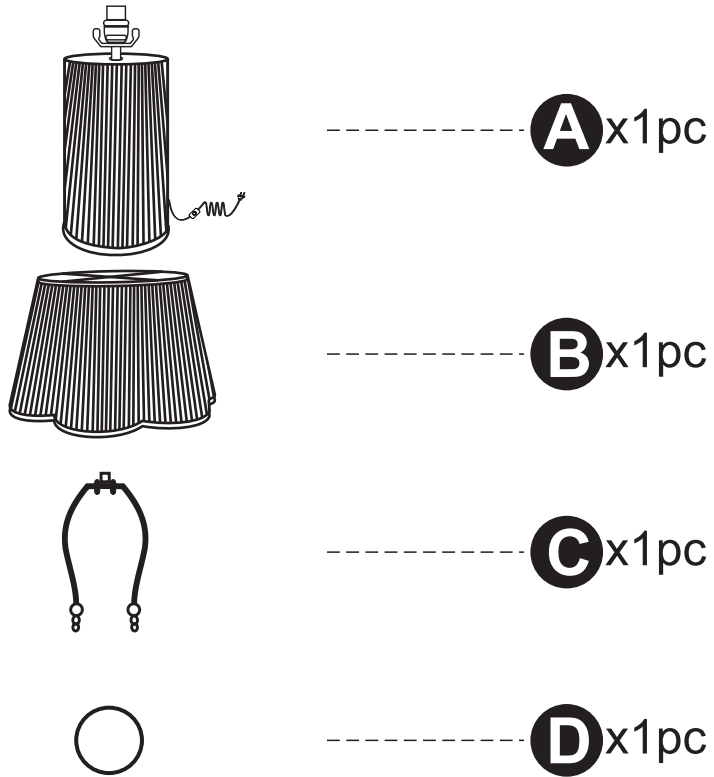
TOV



CORRINE Table Lamp

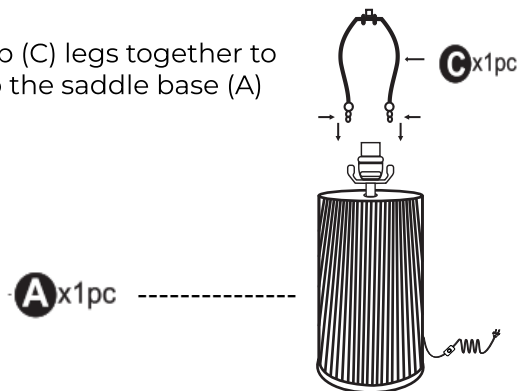
DON'T BE BORING.

Hardware and Components



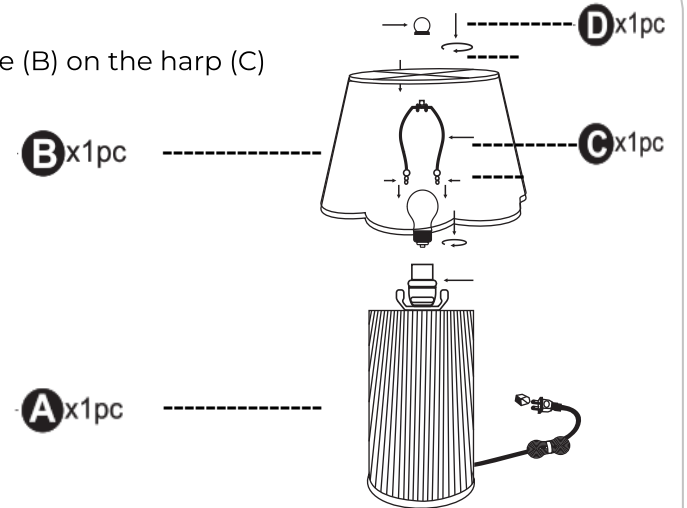
Step 1

Squeeze the harp (C) legs together to connect them to the saddle base (A)



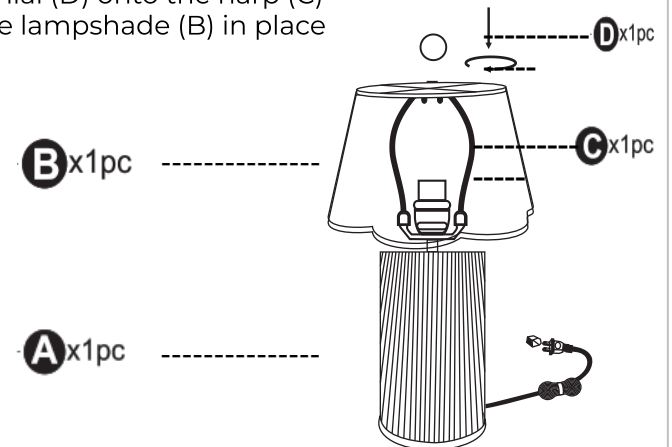
Step 2

Place shade (B) on the harp (C)



Step 3

Screw the finial (D) onto the harp (C) to secure the lampshade (B) in place



Stuck?

Contact our team @ 516-888-3355

Scan for product care!