

As this item contains many parts, please read the installation instruction carefully before installation . Please use tools properly and carefully. If you have any questions about the product and installation, please contact us.

CONTACT US ANYTIME FOR TOP-NOTCH CUSTOMER SERVICE

Q: Need help with assembly?

A: We could provide detailed installation videos. Contact us for step-by-step guidance to ensure successful installation.

Q: Found damaged panels or missing accessories?

A: Let us know, and we'll promptly send replacements your way.

Q: Have feedback on product usage?

A: Contact us, and we'll collaborate to ensure the best experience for you.

DO NOT RETURN PRODUCT TO WAREHOUSE CONTACT US BY EMAIL OR PHONE



You can search for official released related videos on FACEBOOK, pls scan the QR code to take installation video.

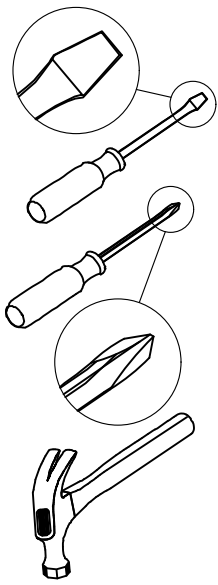


TOLL-FREE: [+001]877-297-2788
Monday-Friday 9:00am-5:00pm | Saturday & Sunday 9:00am-12:00am



EMAIL: SERVICENOW.GDC@GMAIL.COM
Reply to email within 24 hours

Before You Start

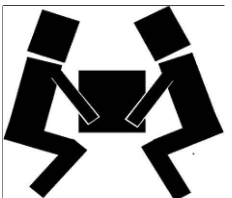
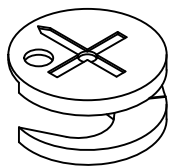
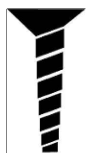
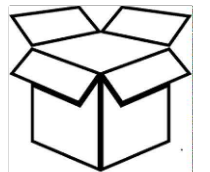


- ✓ Read through each step carefully and follow the proper order
- ✓ Separate and count all your parts and hardware
- ✓ Give yourself enough room for the assembly process
- ✓ Have the following tools: Flat Head Screwdriver, #2 Phillips Head Screwdriver and Hammer
- ✓ Caution: If using a power drill or power screwdriver for screwing, please be aware of to slow down and stop when screw is tight. Failure to do so may result in stripping the screw. (Assembly speed can be increased by using electric screwdriver)

Helpful Hints

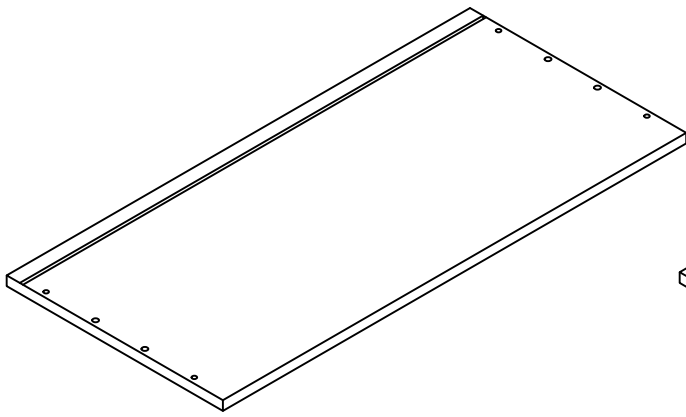
PEOPLE NEEDED FOR ASSEMBLY: 1-2

- Open your item in the area you plan to keep it to avoid excessive heavy lifting.
- Identify, sort and count the parts before attempting assembly.
- Compression dowels are lightly tapped in with a hammer.
- Slides are labeled with an **R** (right) and **L** (left) for proper placement.
- Make sure to always face the point on the top of the Cam Lock towards the outer edge.
- If there is a back panel in the package, please install it to make sure your unit is complete and sturdy.
- Please fix all the screws provided for the back panel which can enhance product stability. If it is difficult to fix it when tightening, it can be fixed with the help of a hammer and then tightened.
- Do NOT use harsh chemicals or abrasive cleaners on this item.
- Never push, pull, or drag your furniture.



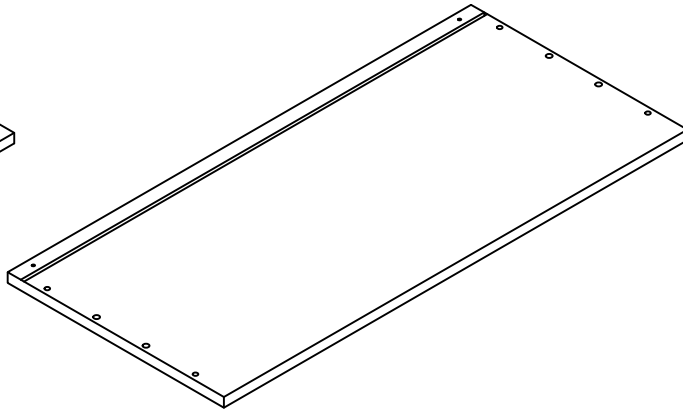
Board Identification

Not actual size



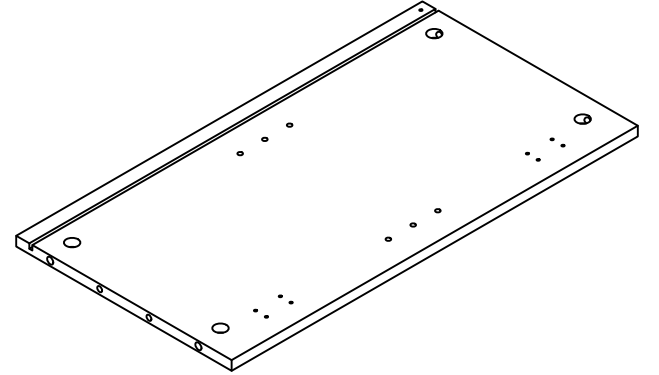
Ⓐ

Qty:1



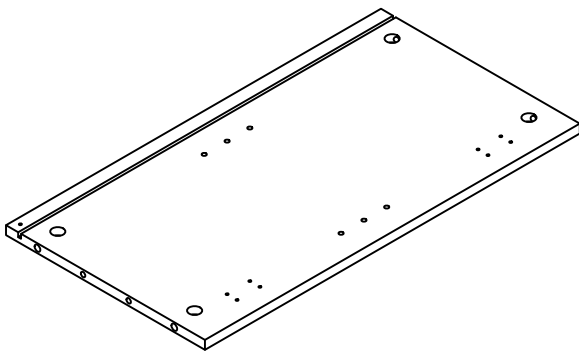
Ⓑ

Qty:1



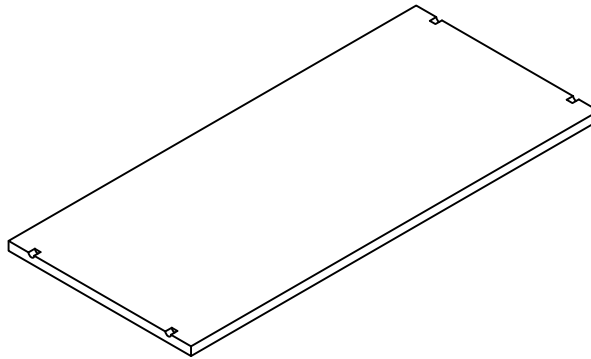
Ⓒ

Qty:1



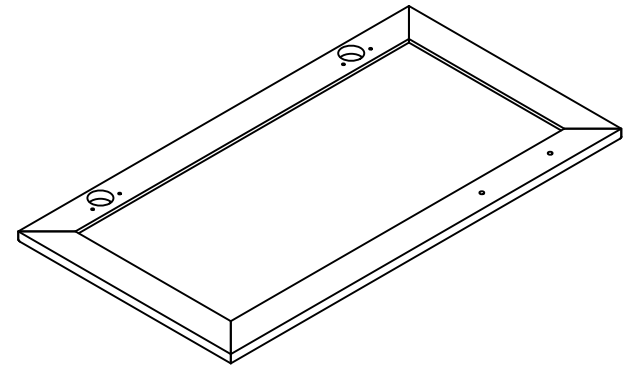
Ⓓ

Qty:1



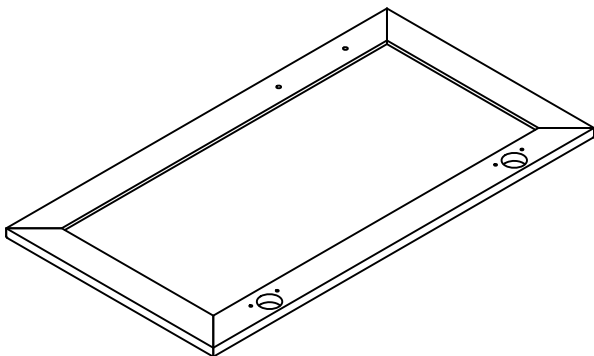
Ⓔ

Qty:1



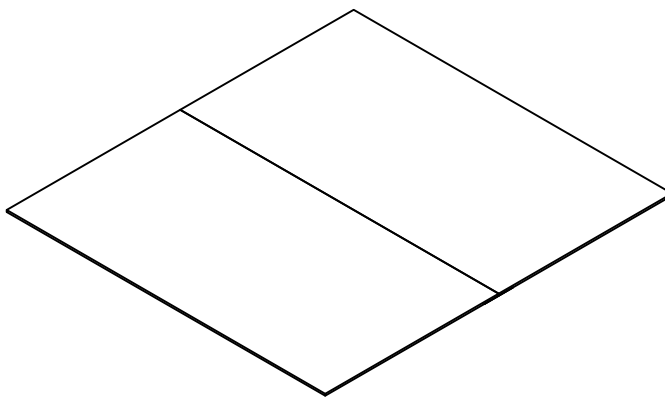
Ⓕ

Qty:1



Ⓖ

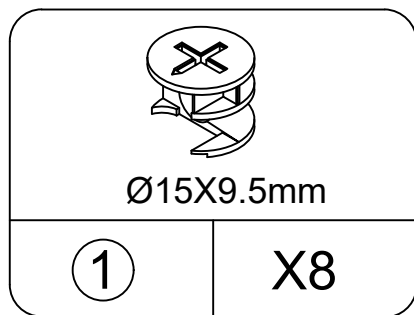
Qty:1



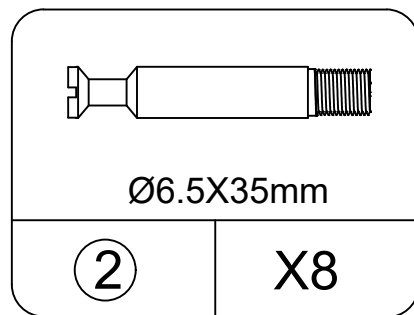
Ⓕ

Qty:1

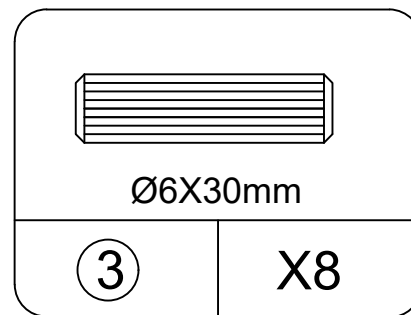
Part List



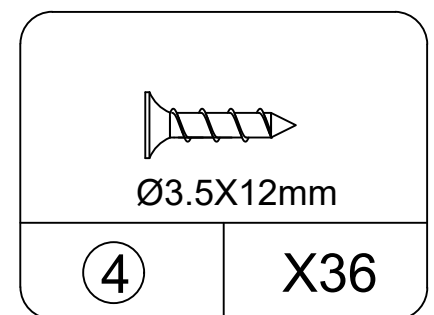
CAM LOCK
spare:1



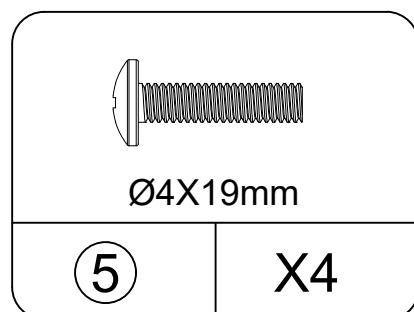
CAM BOLT
spare:1



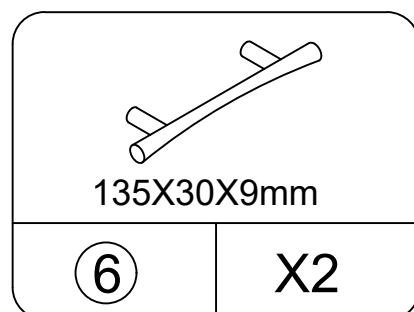
WOOD DOWEL
spare:1



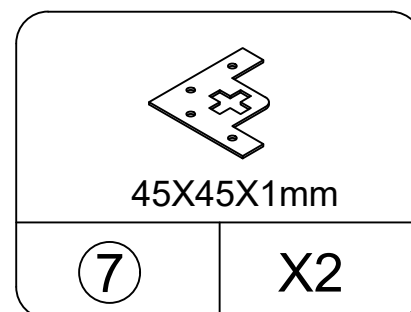
SCREW
spare:3



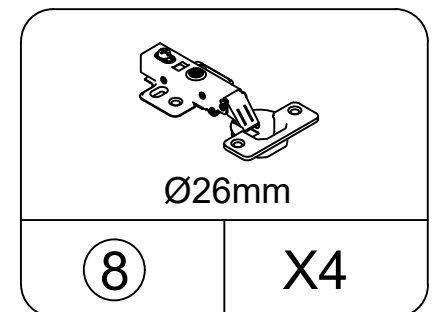
SCREW
spare:1



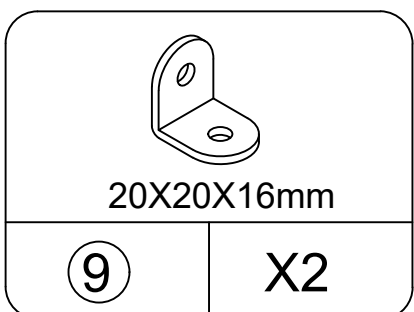
HANDLE



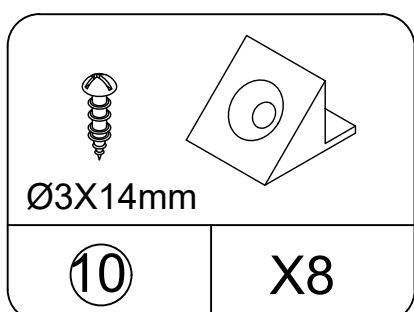
CORNER CODE



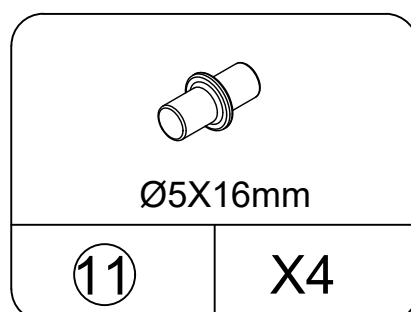
HINGE



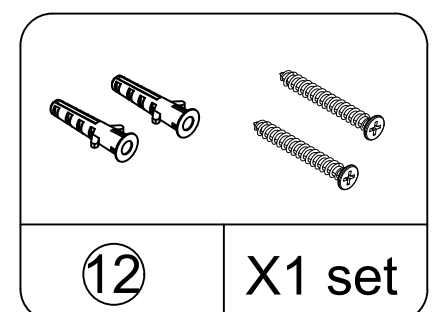
CORNER BRACE



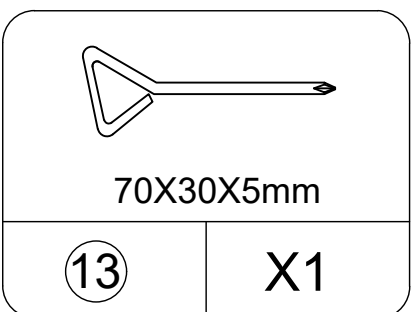
BACK PANEL BUCKLE
spare:1



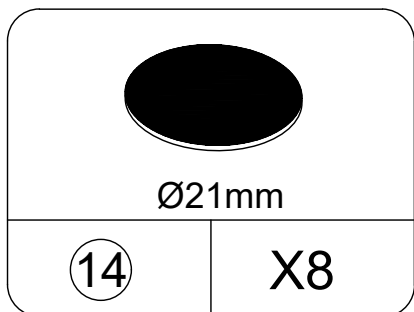
SHELF SUPPORT



SCREW ANCHOR SET



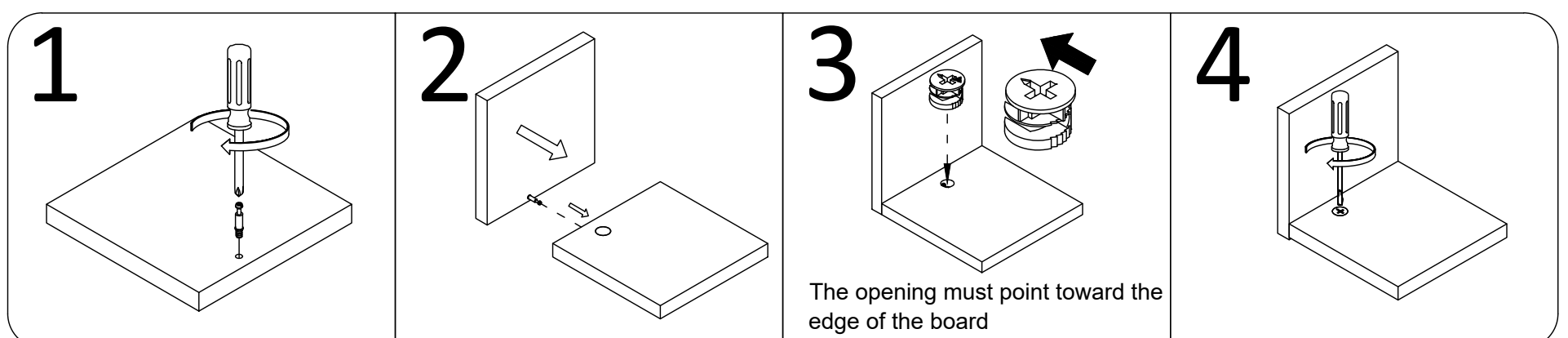
SCREWDRIVER



HOLE STICKER
spare:1

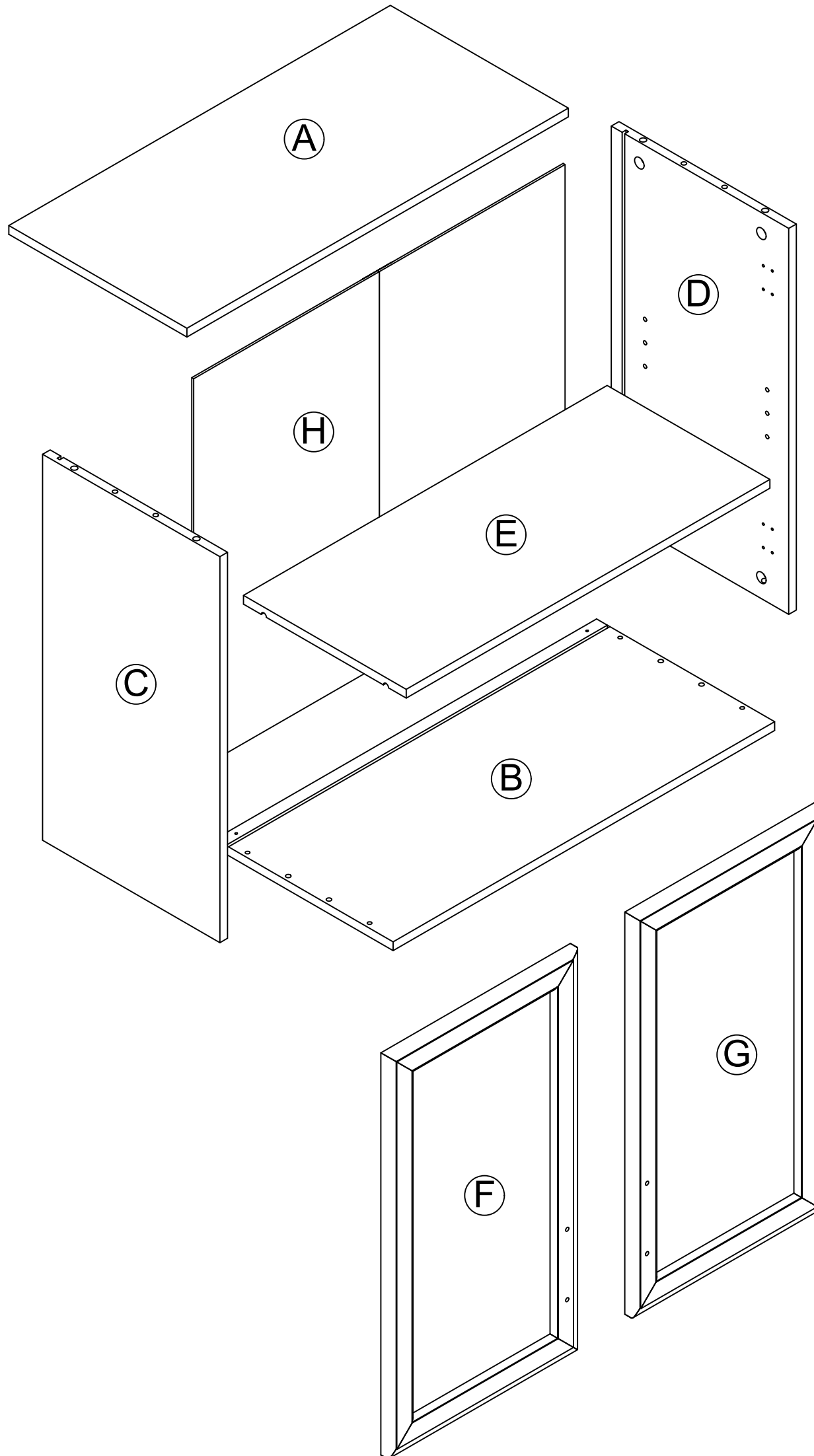
Cam Lock Fastening System

Insert the cam bolt into the hole first, then insert the cam lock and lock it.



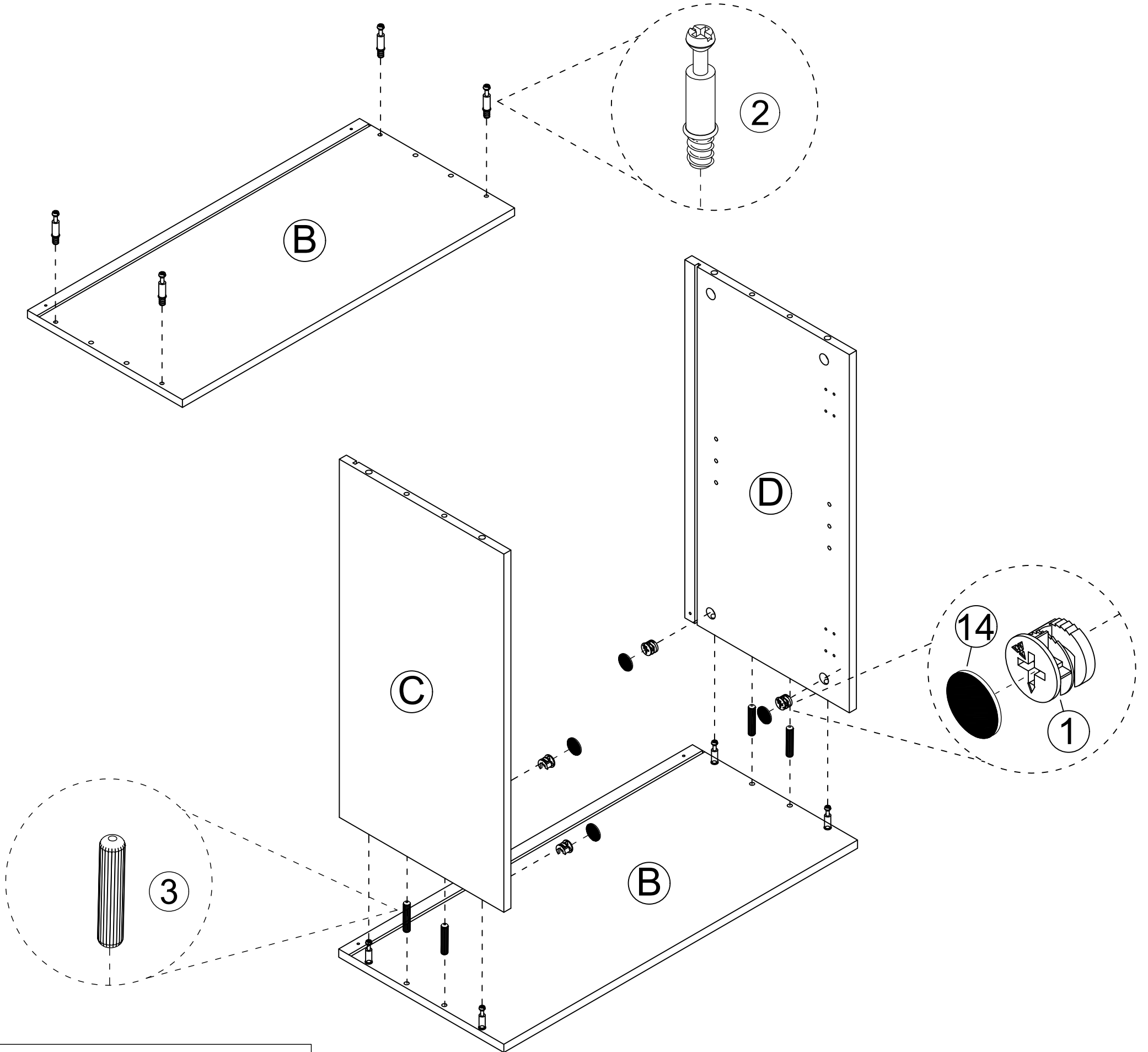
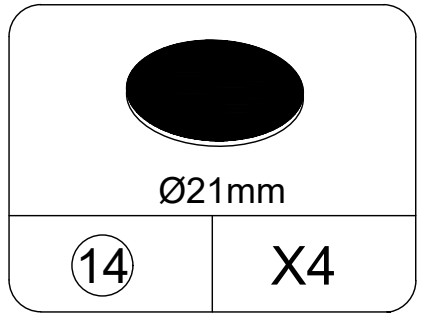
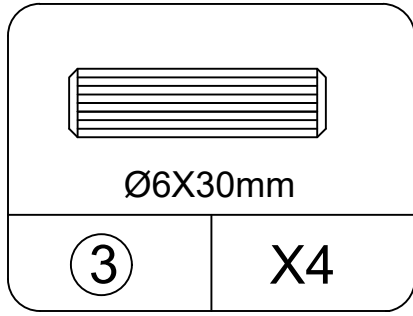
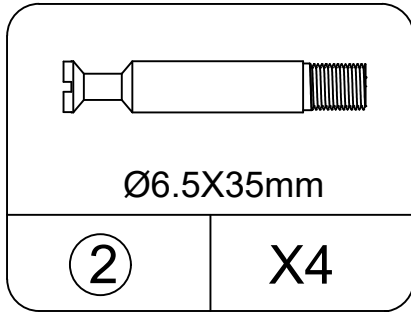
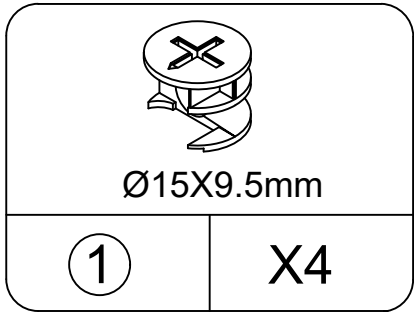
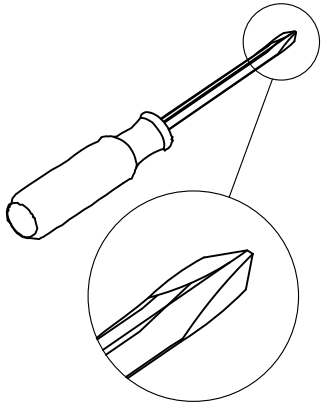
Board Identification

Not actual size

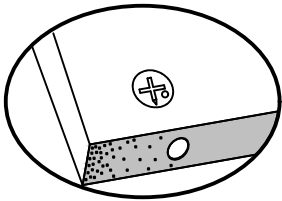
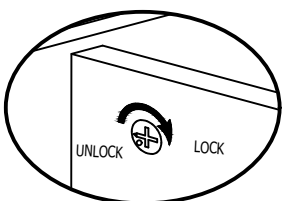


STEP 1

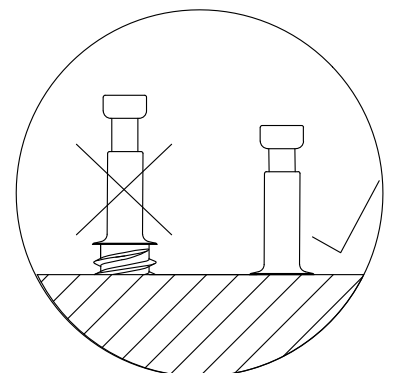
If you have installation issues, please don't return the item.
Contact us at SERVICENOW.GDC@GMAIL.COM for assistance.



Insert the cam bolt into the hole first, then insert the cam lock and lock it.

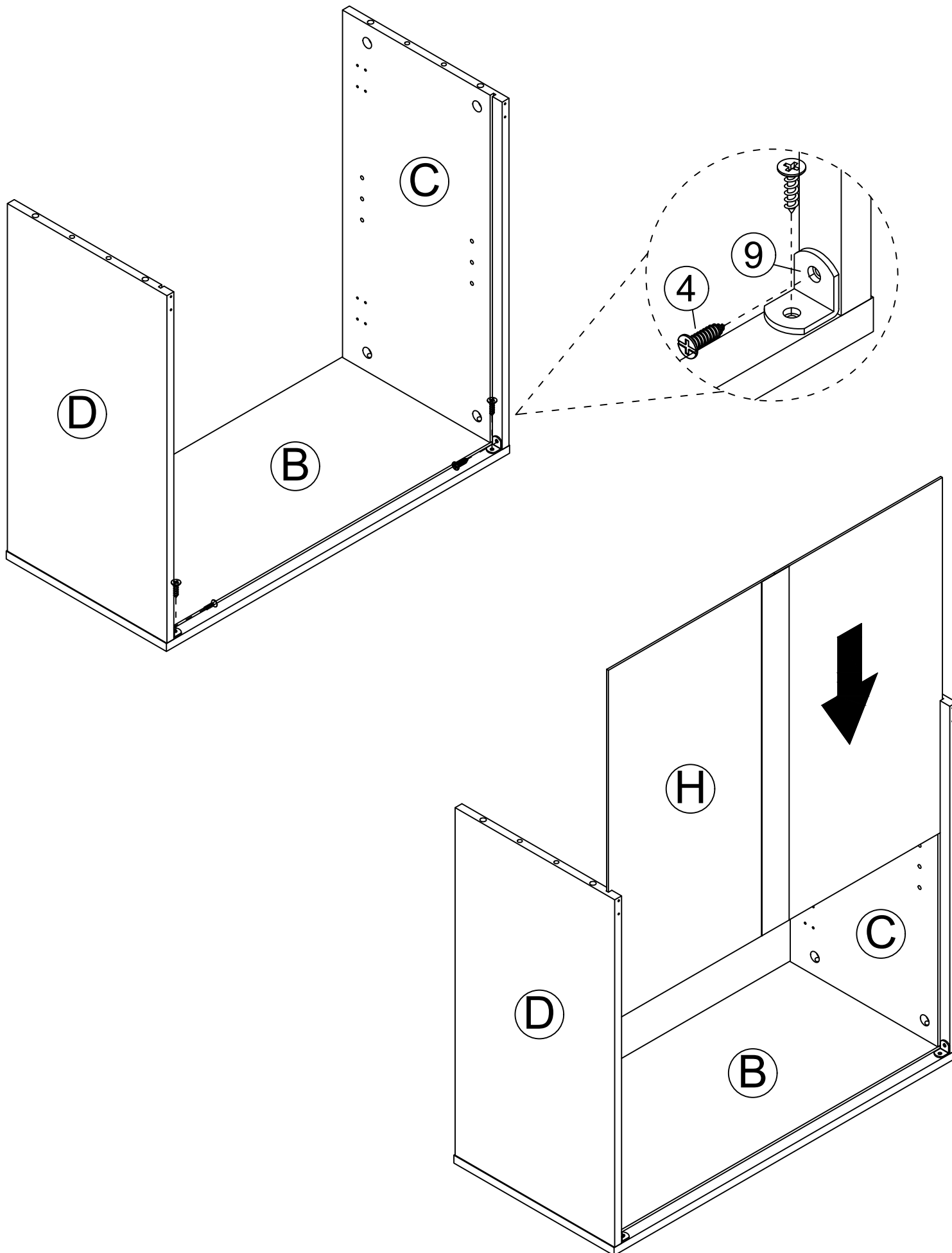
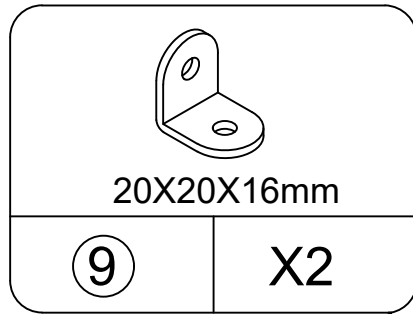
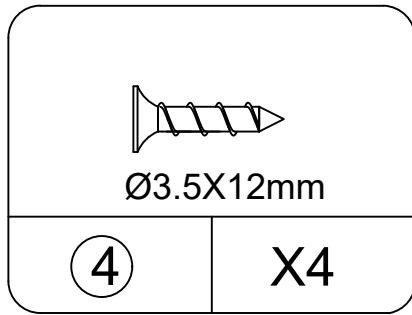
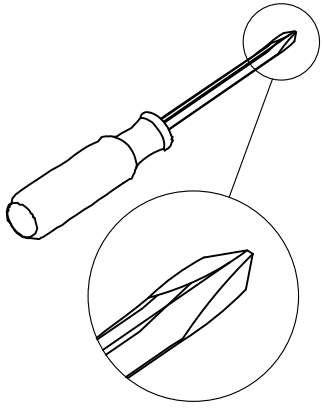


Proper orientation of CAM LOCK



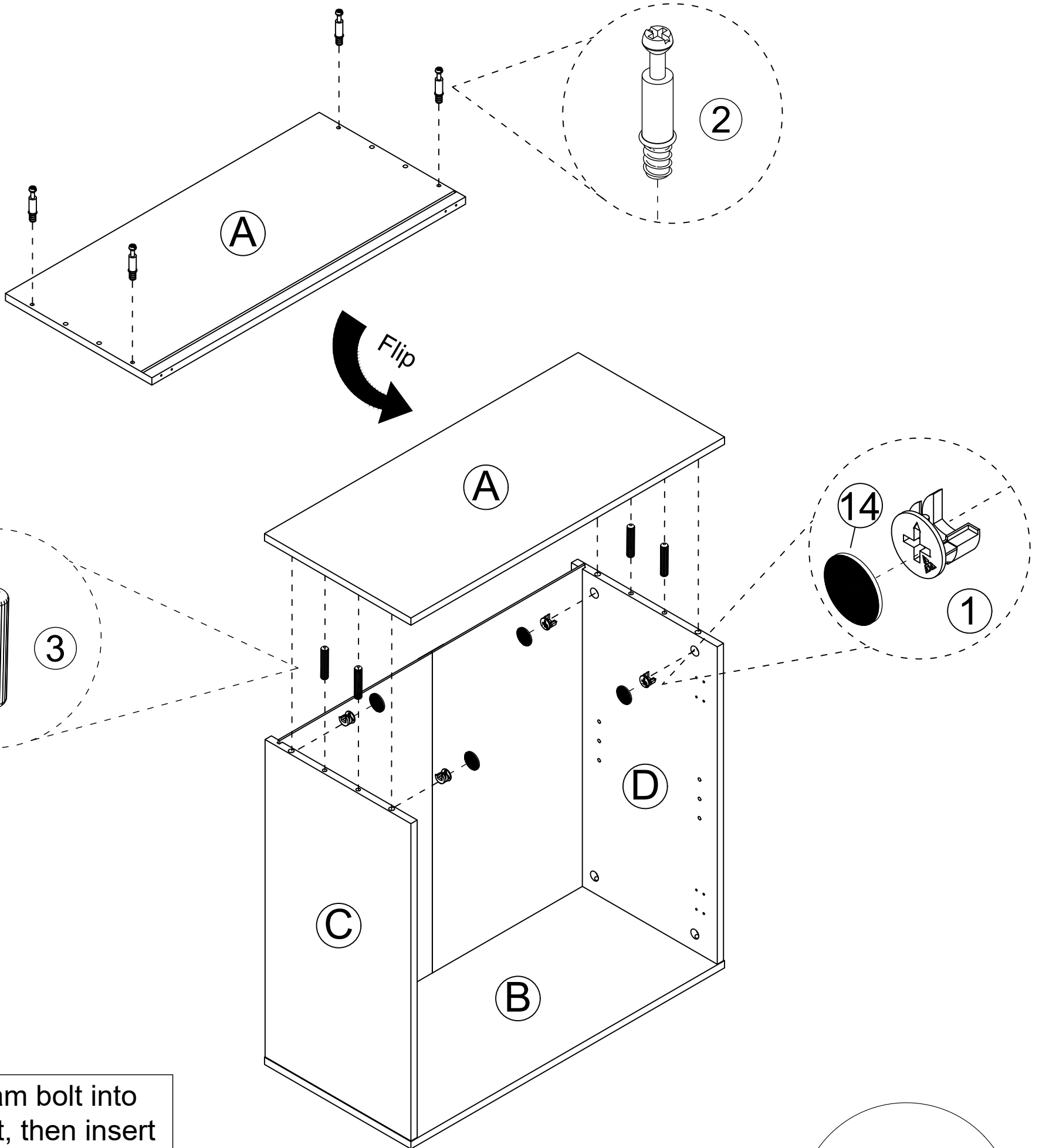
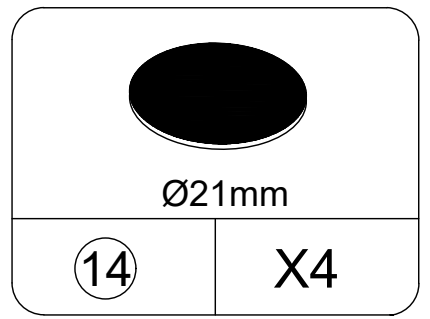
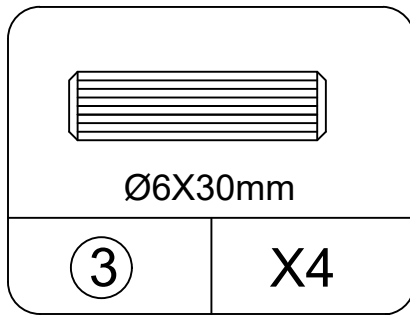
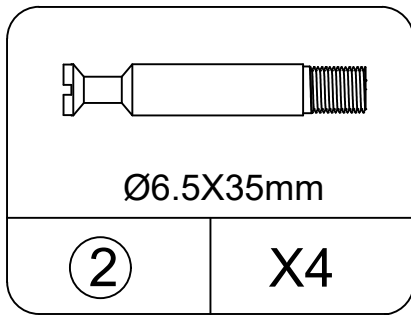
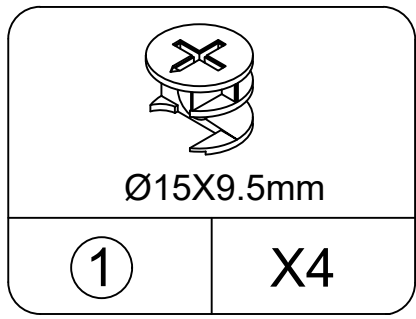
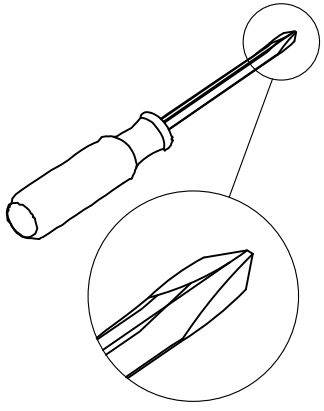
STEP2

If you have installation issues, please don't return the item.
Contact us at SERVICENOW.GDC@GMAIL.COM for assistance.

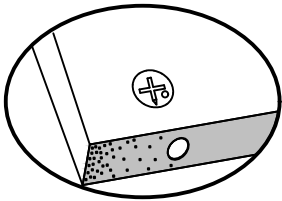
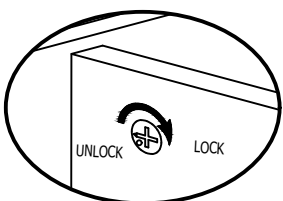


STEP 3

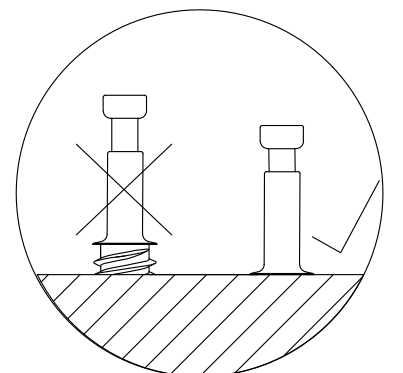
If you have installation issues, please don't return the item.
Contact us at SERVICENOW.GDC@GMAIL.COM for assistance.



Insert the cam bolt into the hole first, then insert the cam lock and lock it.

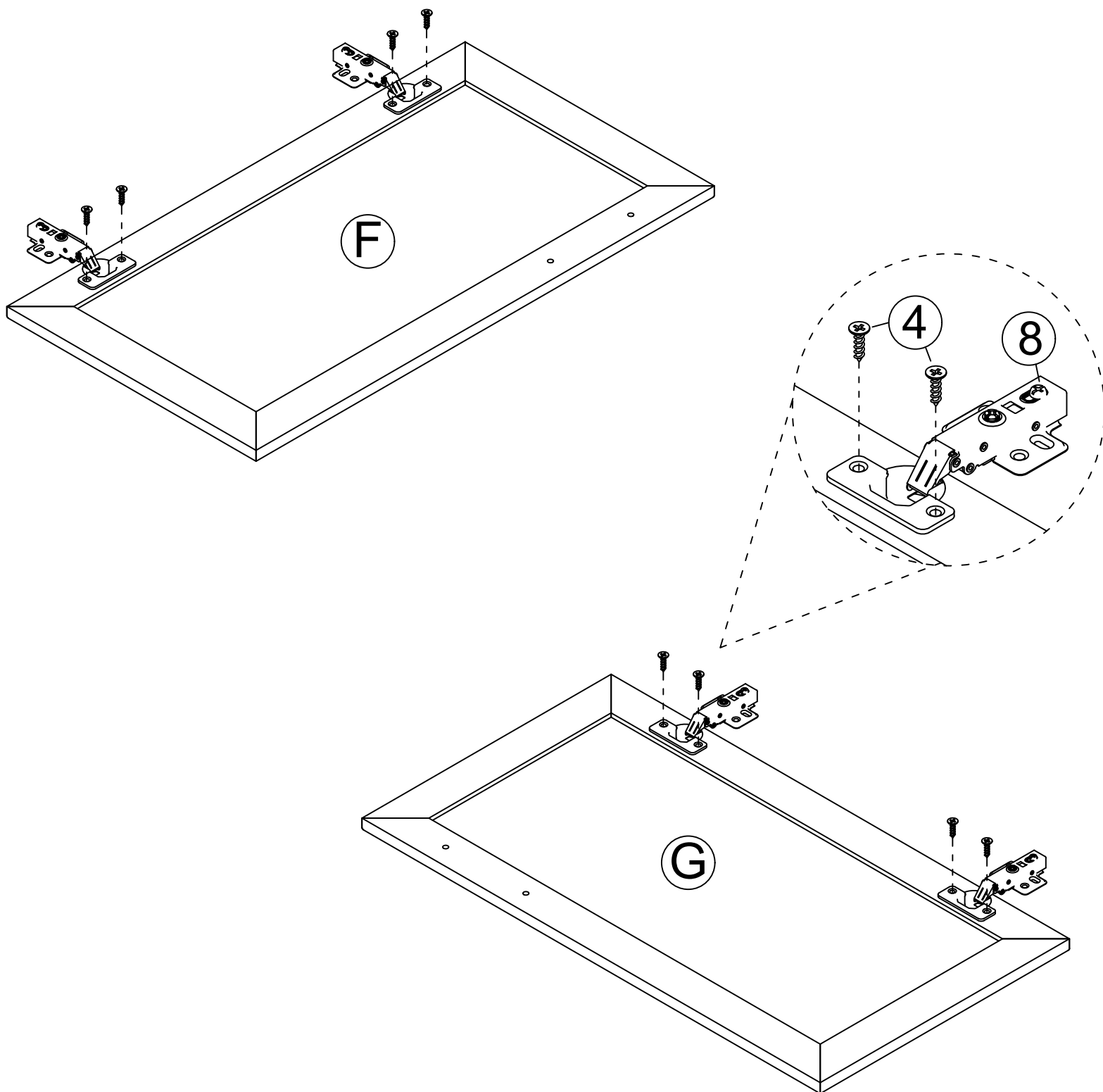
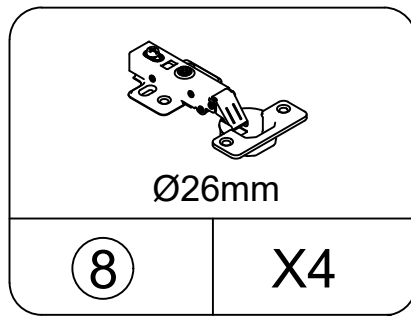
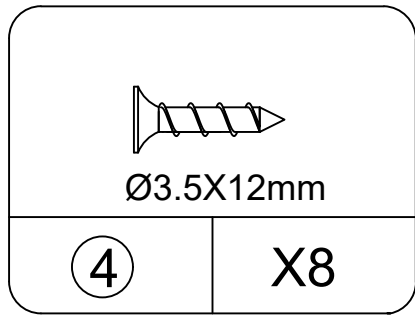
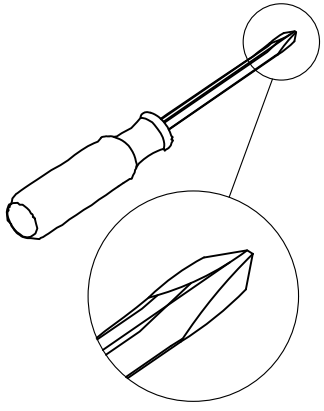


Proper orientation of CAM LOCK



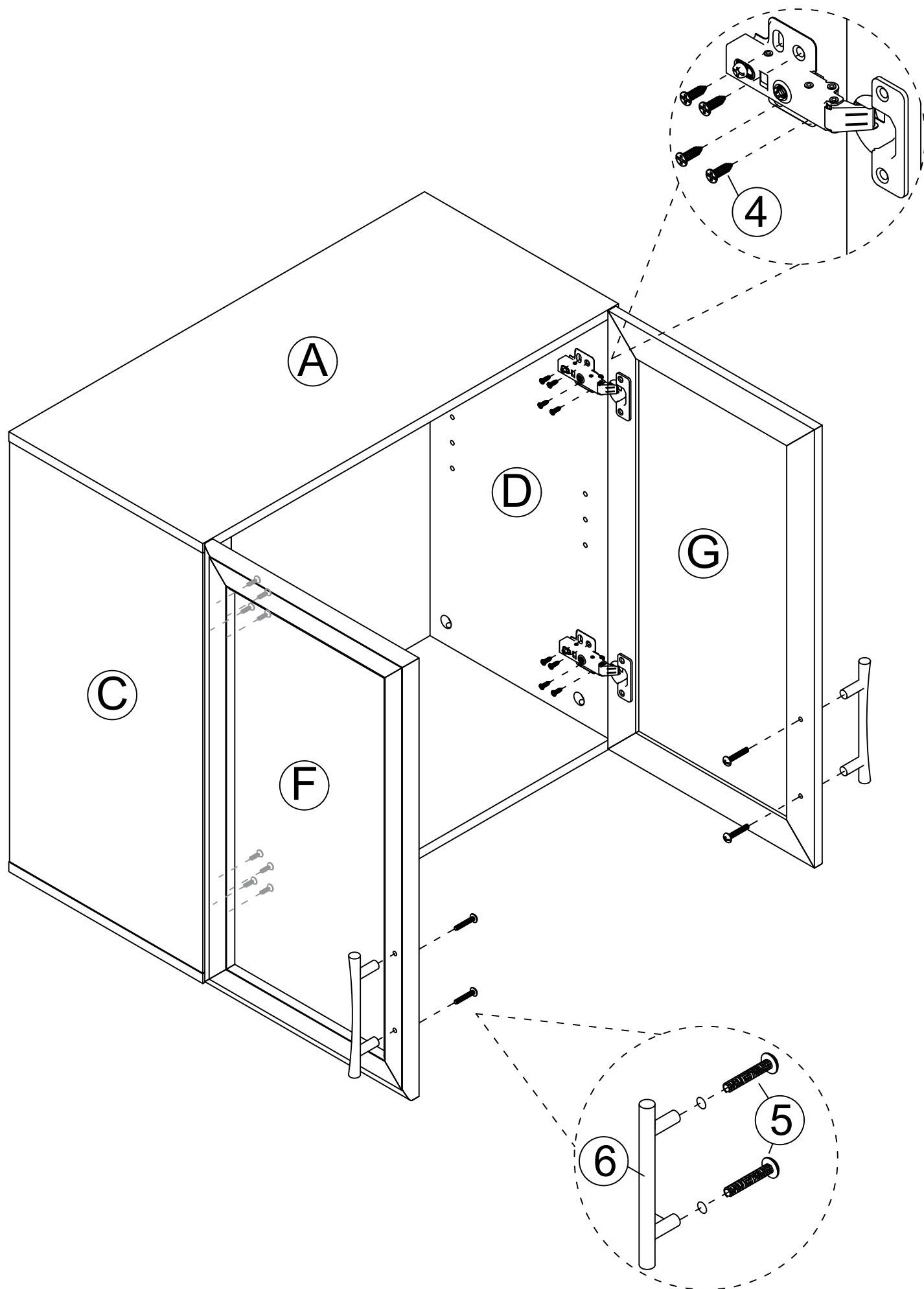
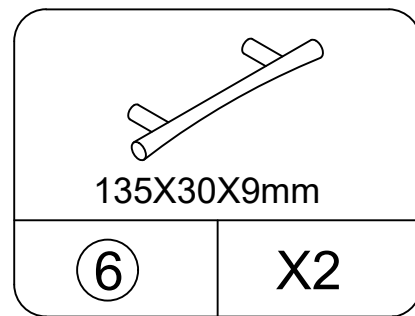
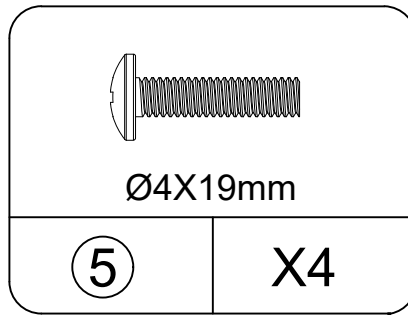
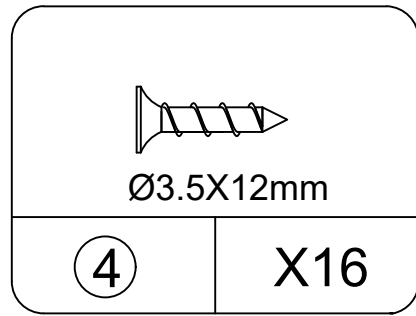
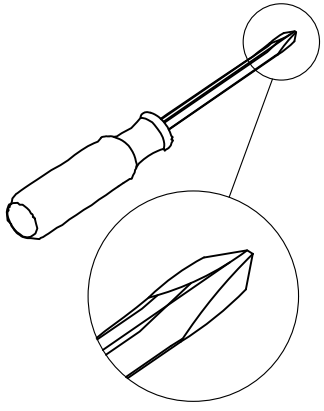
STEP4

If you have installation issues, please don't return the item.
Contact us at SERVICENOW.GDC@GMAIL.COM for assistance.



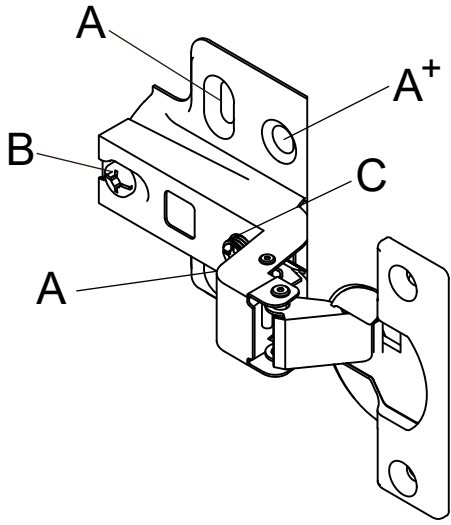
STEP 5

If you have installation issues, please don't return the item.
Contact us at SERVICENOW.GDC@GMAIL.COM for assistance.

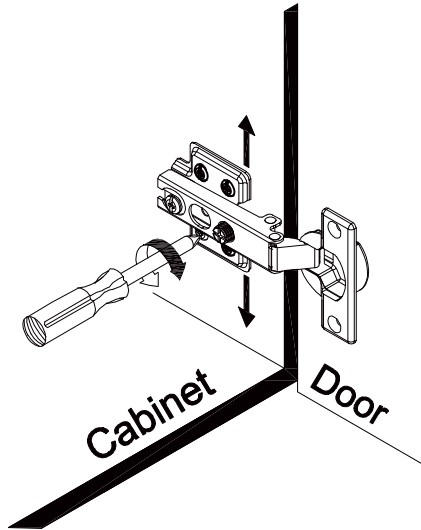
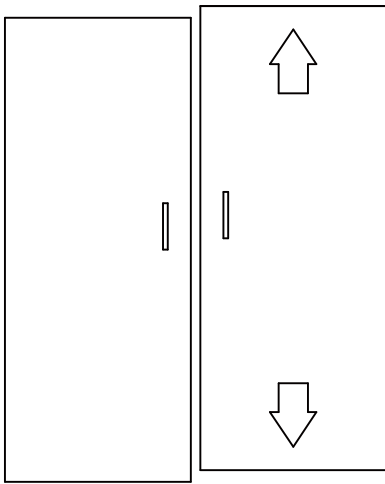


STEP 6

If you have installation issues, please don't return the item.
Contact us at SERVICENOW.GDC@GMAIL.COM for assistance.

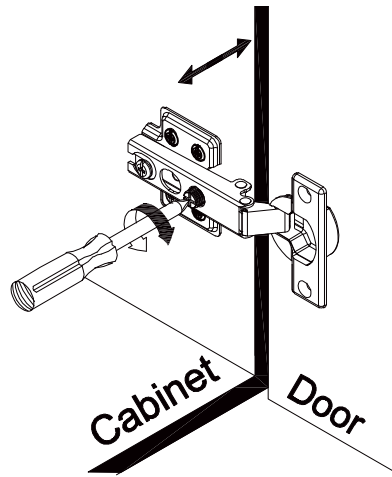
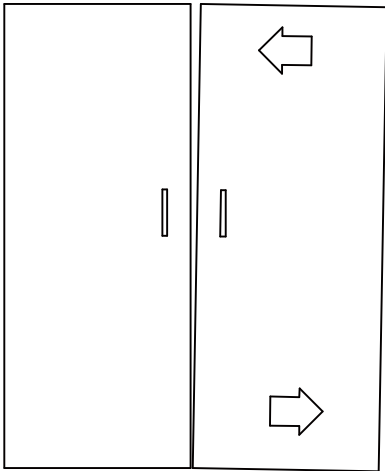


NOTE: If you encounter a gap or difficulty closing the door after installation, please email us at SERVICENOW.GDC@GMAIL.COM
We offer helpful videos.



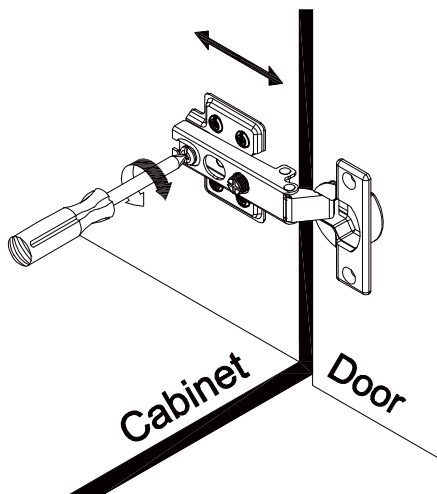
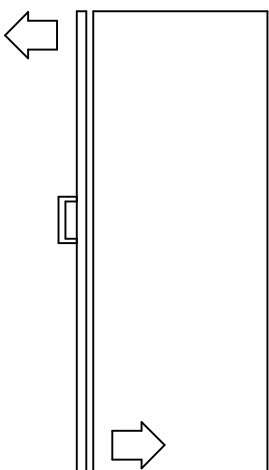
[How to adjust vertical height of the door]

- First remove the 2 screws "A+" on the hinge.
- Then loosen the 2 screws "A" on the hinge so that it can be adjusted up or down a few millimeters.
- Then tighten "A" and reinstall "A+".



[How to adjust the level of the door]

- Turn screw "C" on hinge to adjust the level of the door.

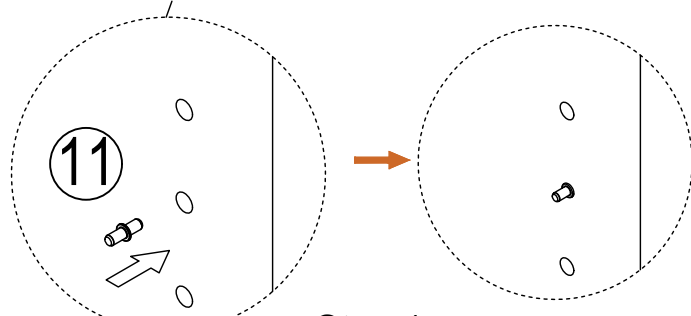
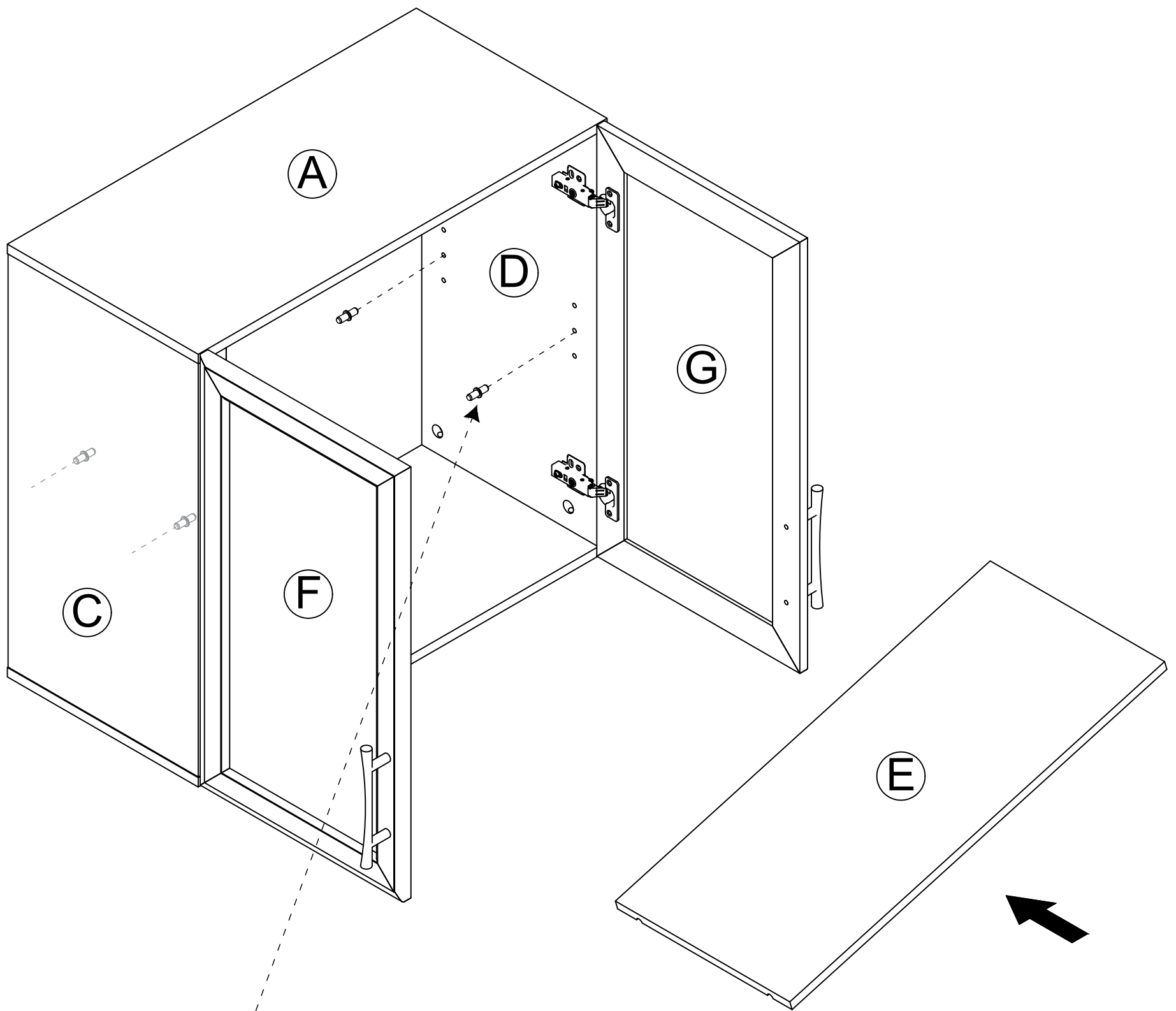
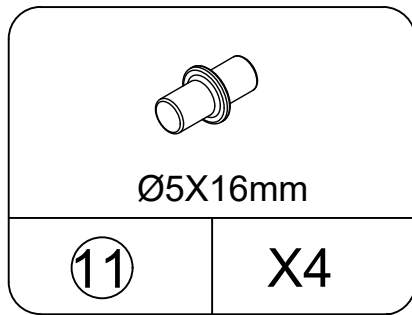


[How to adjust depth of the door]

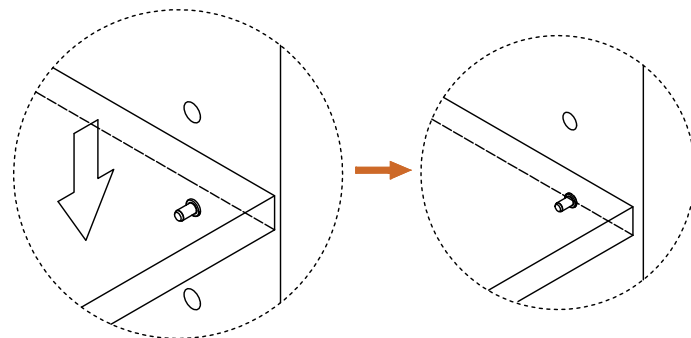
- Loosen screw "B" and adjust the depth of the door.
- If screw "B" is loose, the depth of the door still cannot be adjusted. Simply loosen the screw "C" slightly to adjust the position of the door forward and backward.
- After adjusting the position, tighten screw "B" last.

STEP 7

If you have installation issues, please don't return the item.
Contact us at SERVICENOW.GDC@GMAIL.COM for assistance.



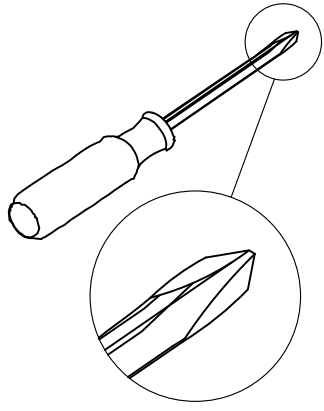
Step 1
Select the desired height
and put it in

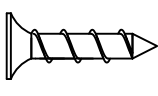
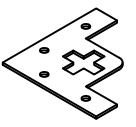



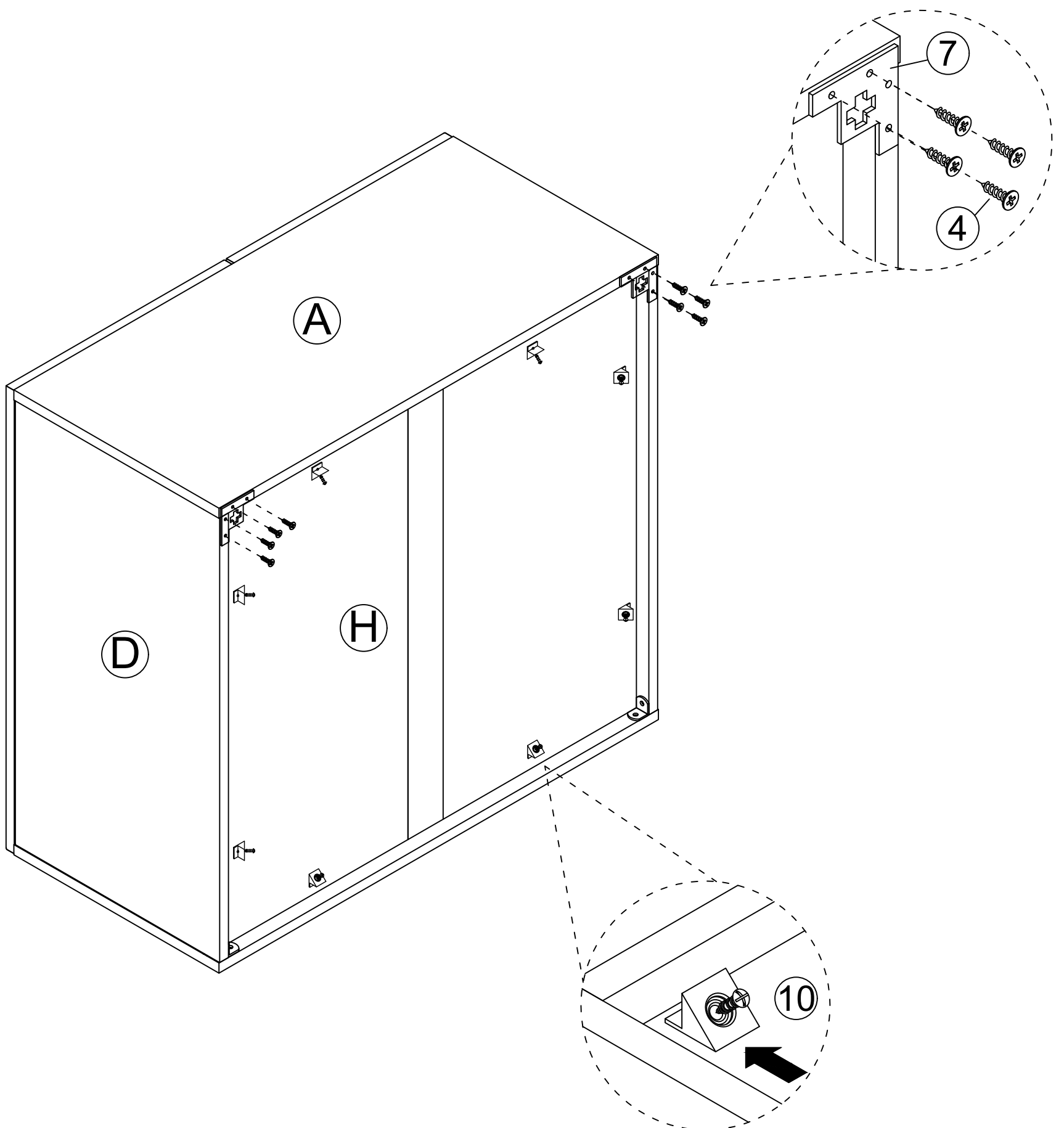
Step 2
Aim the board gaps down

STEP 8

If you have installation issues, please don't return the item.
Contact us at SERVICENOW.GDC@GMAIL.COM for assistance.



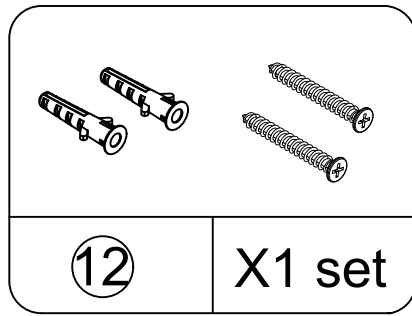
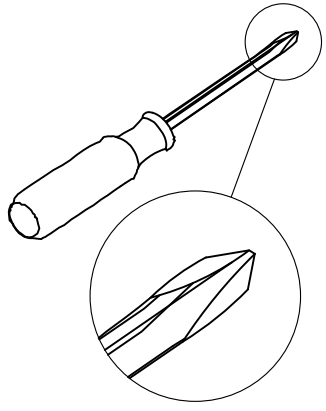
 Ø3.5X12mm	 45X45X1mm	 Ø3X14mm
④ X8	⑦ X2	⑩ X8



Insert the plastic buckle into the back plate slot, screw through the hole in the plastic buckle and lock it in place.

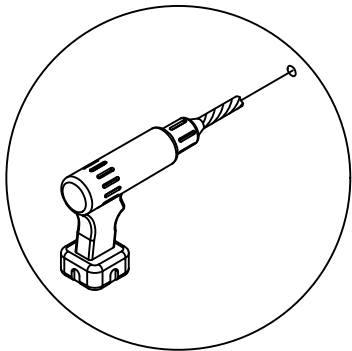
STEP9

If you have installation issues, please don't return the item.
Contact us at SERVICENOW.GDC@GMAIL.COM for assistance.



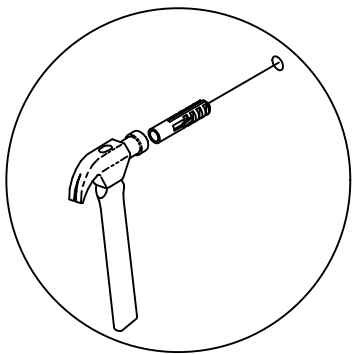
STEP1

Set the hole position near the wall



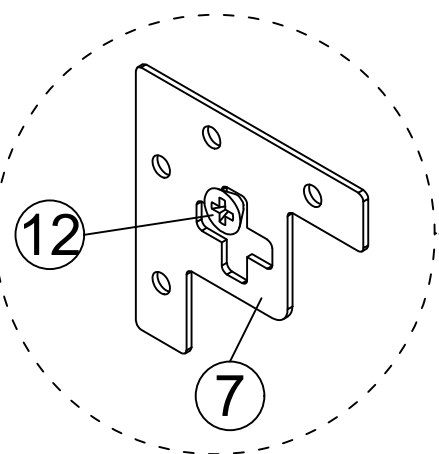
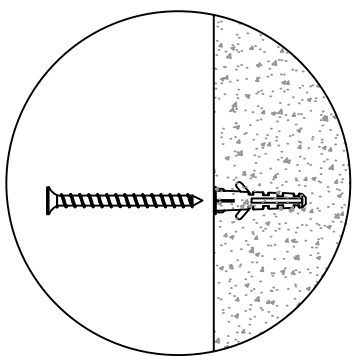
STEP2

Put the embedded part into the hole



STEP3

Put the screw part into the hole



Align the NO.7 hardware notch with the NO. 12 screw and hang it

