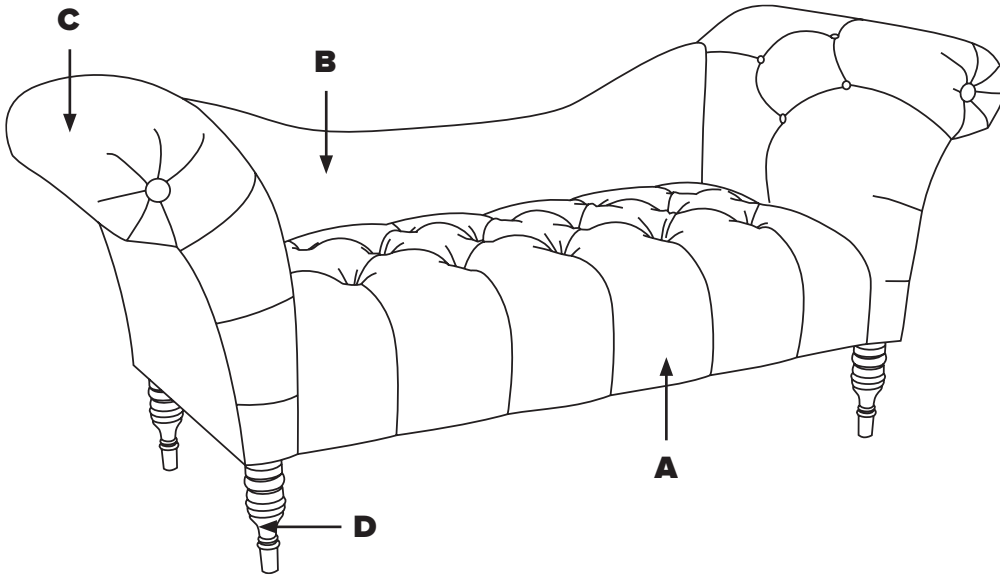


# CHAISE ASSEMBLY

## COMPONENTS

---

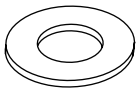


ITEM	DESCRIPTION	QTY
<b>A</b>	Seat	1
<b>B</b>	Back	1
<b>C</b>	Arms	2
<b>D</b>	Legs	4

*Please note: actual product may look different than illustration.*

## HARDWARE

---



**(H1)** x 16  
1 1/4" flat washer  
larger



**(H2)** x 8  
5/16" nut

*Please note: you will need a wrench to complete this assembly.  
This assembly requires two people.*

## LIMITED WARRANTY

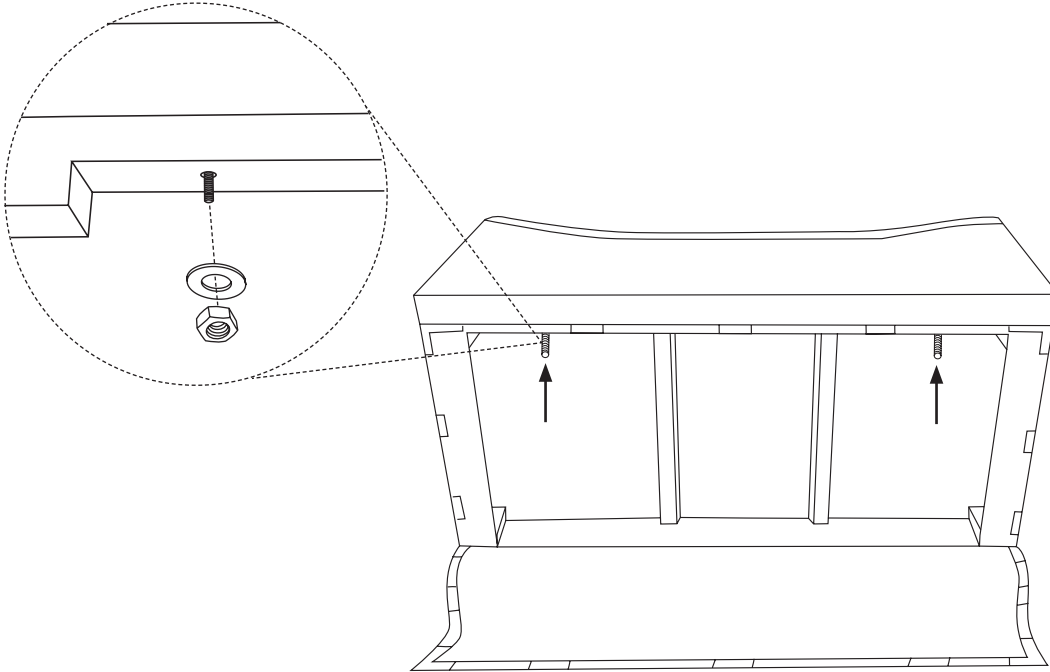
---

We guarantee our upholstered furniture against defects in construction for a period of one (1) year. When a structural defect is brought to our attention, we will repair or replace it at our option at no charge to the customer (includes parts and labor, not transportation costs). Fabric wearability for upholstered furniture is not covered by the warranty. Vacuum for regular cleaning.

PLEASE DISPOSE OF PLASTIC BAG(S) AND CARTON(S) RESPONSIBLY.

# CHAISE ASSEMBLY

## STEP 1



### 1.1

Peel back velcro on the bottom of (A) seat.

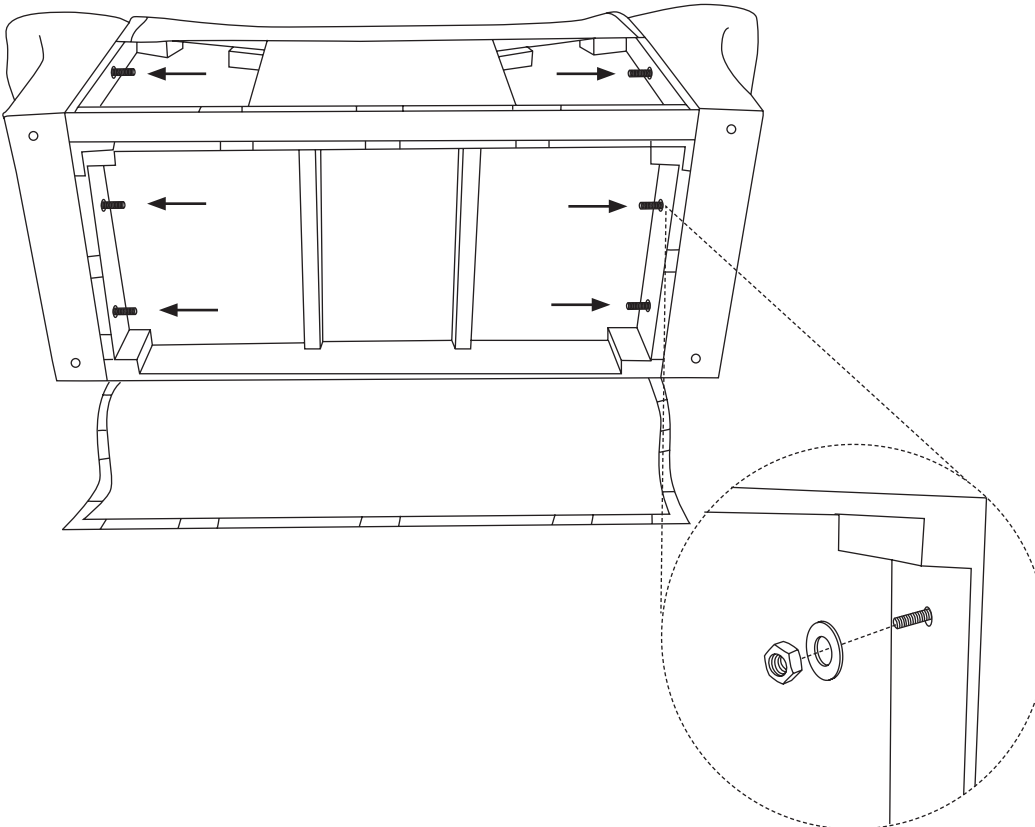
Carefully place bolts of (B) back into holes of (A) seat, making sure the sides and bottoms of both pieces are flush.

### 1.2

Attach (B) back to (A) seat using (H1) washers and (H2) nuts.

Tighten with wrench.

## STEP 2



### 2.1

Peel back velcro on (B) back.

Starting on one side of the chaise, carefully insert bolts of (C) arm into holes of (A) seat and (B) back.

### 2.2

Attach (C) arm to (A) seat and (B) back using (H1) washers and (H2) nuts.

Repeat process on both sides.

Tighten with wrench and replace velcro on all pieces.

# CHAISE ASSEMBLY

## STEP 3

---

### 3.1

Remove plastic caps from (B) legs, and attach to (A) chaise using one (H1) washer per leg.

Once legs are secure, turn chaise upright to check if level.

If chaise is not level, unscrew the shortest leg and add an additional (H1) washer.

Repeat as needed.

*Please note: you may have extra (H1) washers depending on how many you use to level the chaise.*

