

Suitable for pro builders and DIY crafters. Installation requires 2 people.

Illustrations not to scale. Black steel rendered in gray.

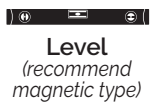
Read through ALL instructions completely before starting. Follow step-by-step. Do not jump ahead!

We recommend following best building practices for installing OUTDECO Steel Posts and Frames with OUTDECO Decorative Panels in accordance with their intended purpose. Examples shown in this document are installation suggestions. Adjust installation configurations to meet your specific project requirements. If in doubt, consult a professional. We recommend checking with the proper authorities about building codes/standards that may apply to your project. OUTDECO Steel Panels & Posts have a **5-Year Limited Warranty** for material integrity when installed per these instructions. Installers assume responsibility for the installation.

Product Details

- OUTDECO Steel Panels are engineered to install directly on OUTDECO 18" Wall Extension Posts and 16" Fence Extension Posts (see other side).
- Slots in panel sides align with pre-drilled holes on posts and allow for vertical adjustment of up to 1" to level panels on uneven surfaces.
- Panels can also be mounted on timber posts or hung on walls/fences.

WHAT YOU'LL NEED



WHAT'S IN THE BOX: PANELS

- 1 48" x 16" or 72" x 16" Decorative Steel Panel
Black powder-coated galvanized steel
- 4 Panel Screws – #8 x 1" Phillips

WHAT'S IN THE BOX: POSTS

- 1 18" Post – Black powder-coated galvanized steel
- 4 Masonry Post Bolts
M10 hex; Use 5/16" drill bit
- 1 Post Cap – 2" x 2" Black poly
- 2 Post Hole Plugs – Black poly

NOTE: Panels and Posts are sold separately.

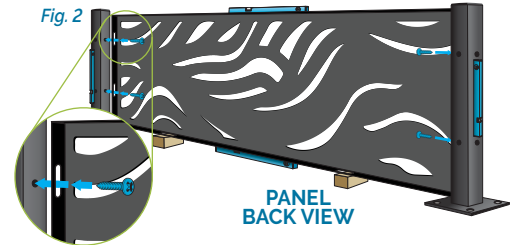
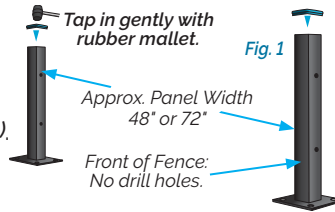
IMPORTANT! Install 18" Posts on: 1) tops of walls or fences with a minimum 5" w flat cap; 2) solid wall or fence structure in good condition, with no loose bricks, blocks, or planks.

Installing Panels on 18" Wall Extension Posts

WARNING: Wear gloves – panel edges can be sharp.

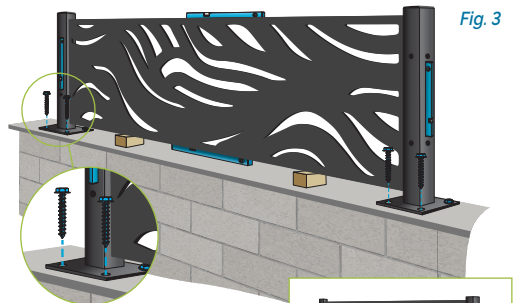
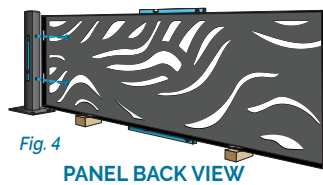
1. Set Posts and Install Panels

- Set two Posts on hard, flat surface (not on wall), same distance apart as the Panel width, with un-drilled side of Posts facing front (Fig. 1). Insert Post Caps** on top of Posts.
- With a helper, rest Panel on 1" blocks (Fig. 2).
- On back of panel: Use impact driver to loosely drive Panel Screws* through Panel into Posts' top slots, then lower slots (Fig. 2). Do not tighten screws yet.



2. Install Posts on Wall

- With a helper, lift the assembly onto top of wall and level Posts and Panel. Mark hole placement through bases. Remove assembly.
- Pre-drill top of wall with 5/16" drill bit. Place assembly on wall again and level Posts and Panel.
- Bolt down Posts with Post Screws** (Fig. 3). Remove support blocks.
- Adjust Panel vertically until level and hand-tighten screws securely. Do not overtighten.



3. Install Additional Sections

- Repeat Step 1, using one Post only (Fig. 4).
- Repeat Step 2, attaching Panel to previously installed Post (Fig. 5).

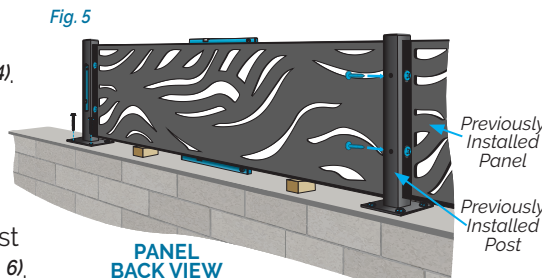
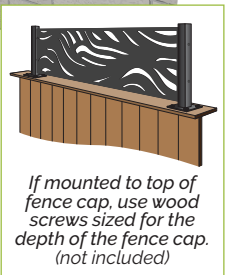
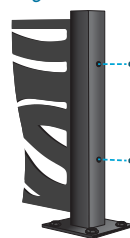


Fig. 6



4. Finish Fencing

- Insert Post Hole Plugs** into unused post holes to help prevent water leakage (Fig. 6).

* Included with Panel
** Included with Post

Suitable for pro builders and DIY crafters. Installation requires 2 people.

Illustrations not to scale. Black steel rendered in gray.

Read through ALL instructions completely before starting. Follow step-by-step. Do not jump ahead!

We recommend following best building practices for installing OUTDECO Steel Posts and Frames with OUTDECO Decorative Panels in accordance with their intended purpose. Examples shown in this document are installation suggestions. Adjust installation configurations to meet your specific project requirements. If in doubt, consult a professional. We recommend checking with the proper authorities about building codes/standards that may apply to your project. OUTDECO Steel Panels & Posts have a **5-Year Limited Warranty** for material integrity when installed per these instructions. Installers assume responsibility for the installation.

Product Details

- OUTDECO Steel Panels are engineered to install directly on OUTDECO 16" Fence Extension Posts and 18" Wall Extension Posts (see other side).
- Slots in panel sides align with pre-drilled holes on posts and allow for vertical adjustment of up to 1" to level panels on uneven surfaces.
- Panels can also be mounted on timber posts or hung on walls/fences.

WHAT YOU'LL NEED



WHAT'S IN THE BOX: PANELS

- 1 48" x 16" or 72" x 16" Decorative Steel Panel
Black powder-coated galvanized steel
- 4 Panel Screws – #8 x 1" Phillips

WHAT'S IN THE BOX: POSTS

- 1 39" Fence Leg (16" Post + 23" Support Leg)
Black powder-coated galvanized steel
- 4 Wood Post Bolts, Washers, and Nuts
M5 hex; use 15/64" drill bit
- 1 Post Cap – 2" x 2" Black poly
- 2 Post Hole Plugs – Black poly

NOTE: Panels and Posts are sold separately.

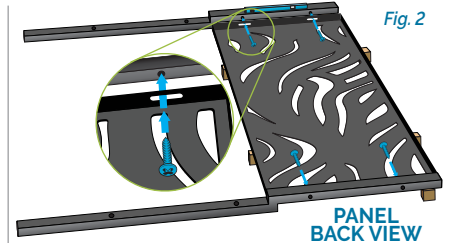
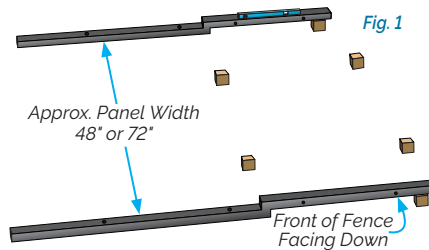
IMPORTANT! Install only on solid fences in good condition, with no loose boards. Post system is intended for installation on front of fence. Position posts to avoid screwing into fence rails.

Installing Panels on 39" Fence Extension Leg

WARNING: Wear gloves – panel edges can be sharp.

1. Set Posts and Install Panels

- Insert Post Caps** into Post tops and bottoms.
- Lay Posts face down on flat, non-scratching surface, same distance apart as the width of the Panel. Place 1" blocks under upper 16" Post section and in Panel area (Fig. 1).
- With a helper, position Panel between the upper 16" Post section (with back side facing up), resting on blocks (Fig. 2). Use an impact driver to loosely drive Panel Screws* into Posts, first through Panel's top slots, then lower slots (Fig. 2). Do not tighten screws yet.

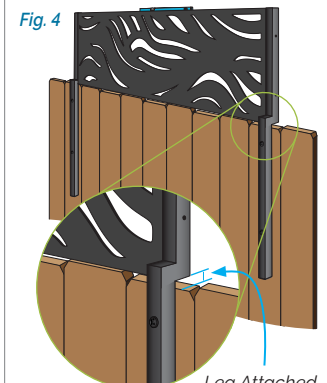
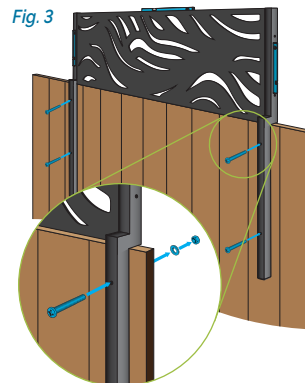


2. Install Posts on Fence

- With a helper, lift the assembly onto the fence. Check that Posts and Panel are level (Fig. 3).

IMPORTANT! If entire length of fence top is not level, position extension sections higher than fence top to compensate (Fig. 4).

- Pre-drill front of fence with 15/64" drill bit. Bolt 23" Leg section to fence with Post Screws, Washers, and Nuts** (Fig. 3).
- Adjust Panel vertically until level. Hand tighten screws securely. Do not overtighten.

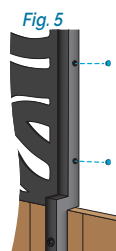


3. Install Additional Sections

- Repeat Step 1, using one Post only, then Step 2, attaching Panel to previously installed Post.

4. Finish Fencing

- Insert Post Hole Plugs** into unused Post holes to help prevent water leakage into Posts (Fig. 5).



NOTE: If back of fence is not accessible, drive #8 or #10 wood screws[§] through front. Screw length = 1" + fence plank thickness.

*Included with Panel **Included with Post §Not Included