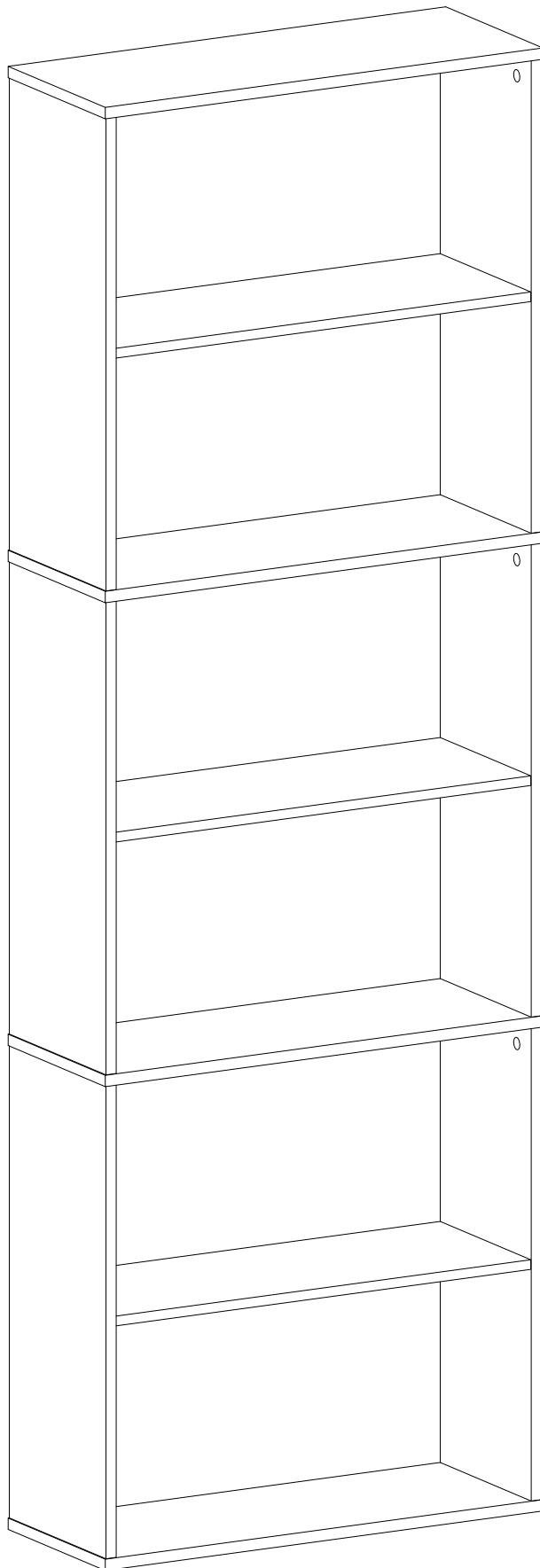
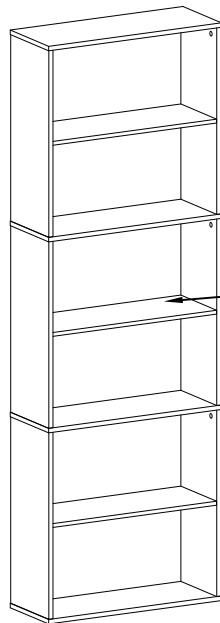
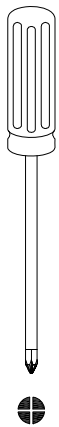


V-BC25-1005



# WARNING



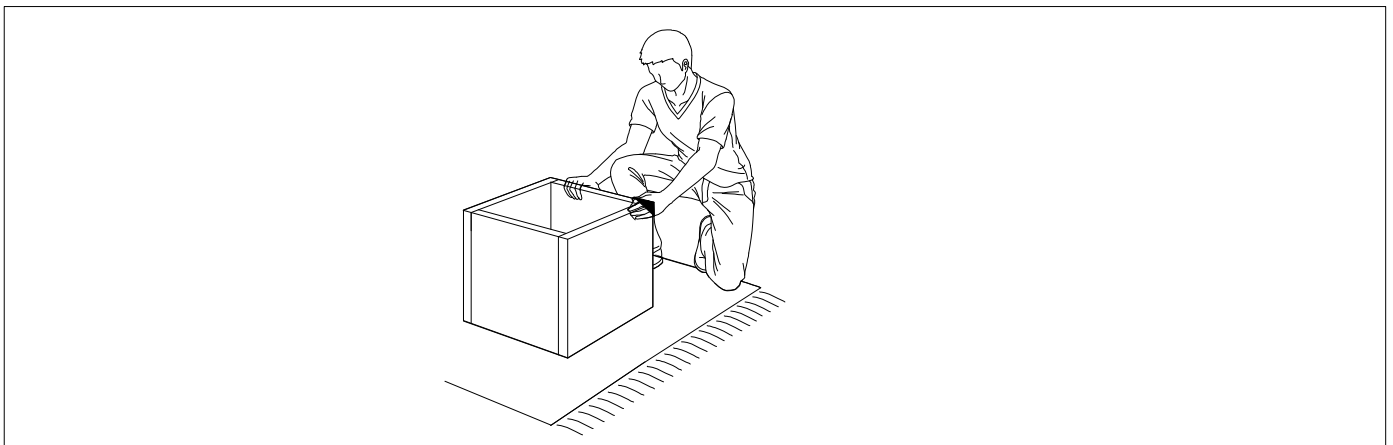
**MAXIMUM LOAD**

20 lb/9.1kg

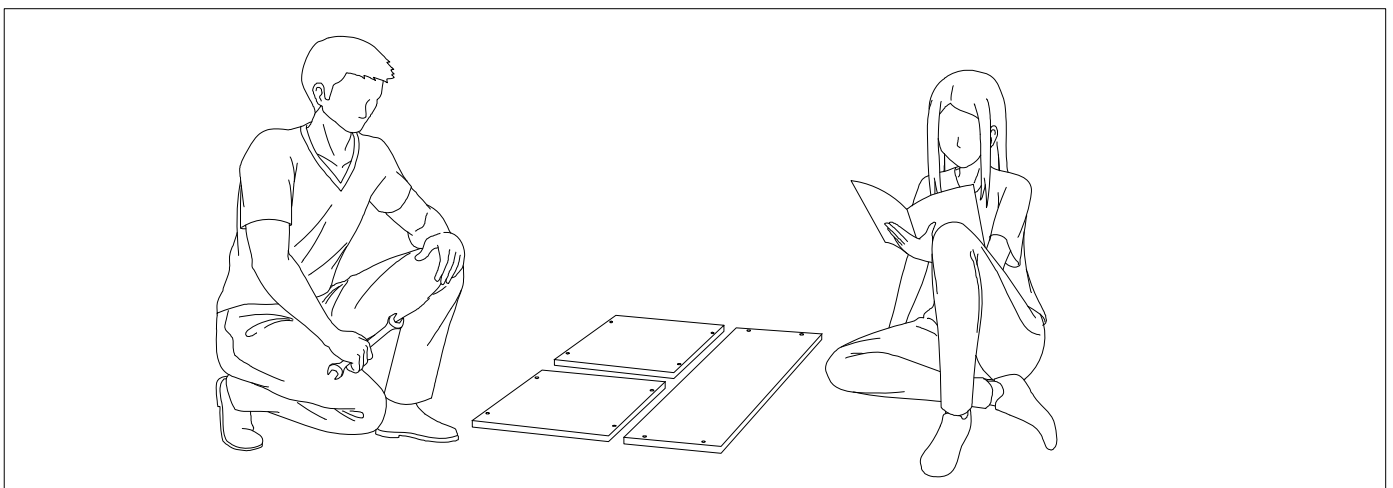


Estimated Time for Assembly

**45 mins**



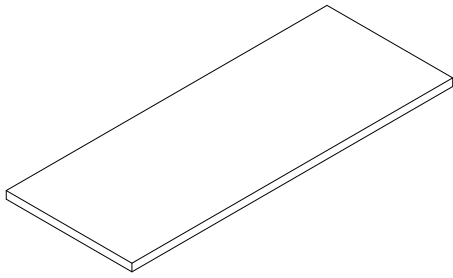
Assemble the furniture on empty carton, carpet, or rug to prevent scratches or damage,



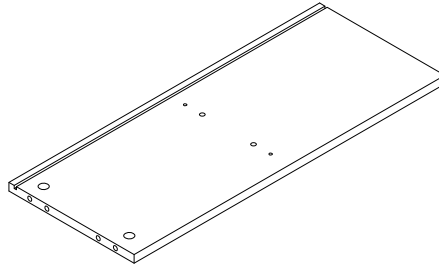
This furniture requires 2 people to assembly.  
Make sure no parts are missing or damaged before assembly.



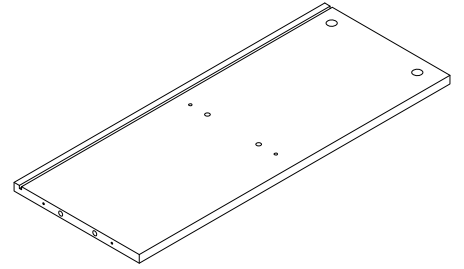
PF056



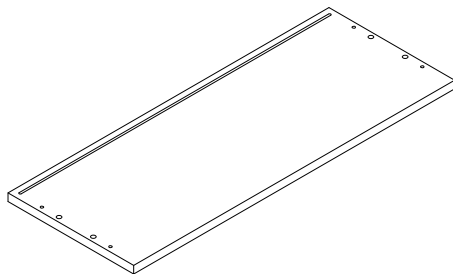
① X1



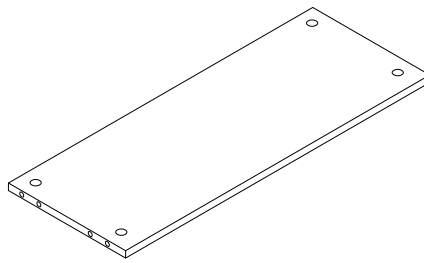
② X3



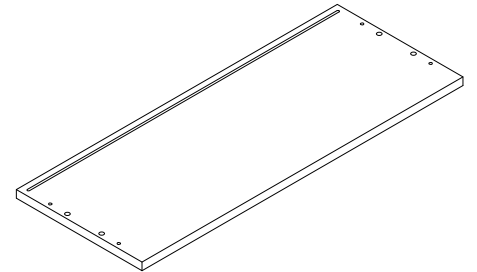
③ X3



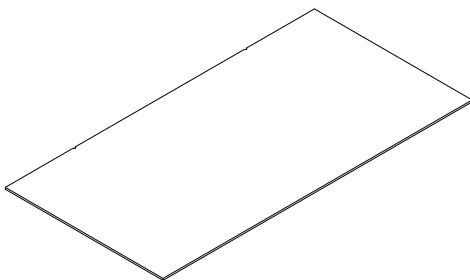
④ X2



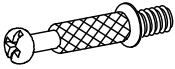

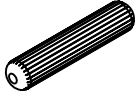
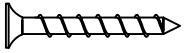
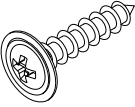
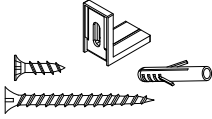
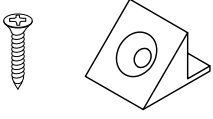
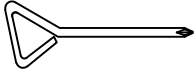
⑤ X3



⑥ X1

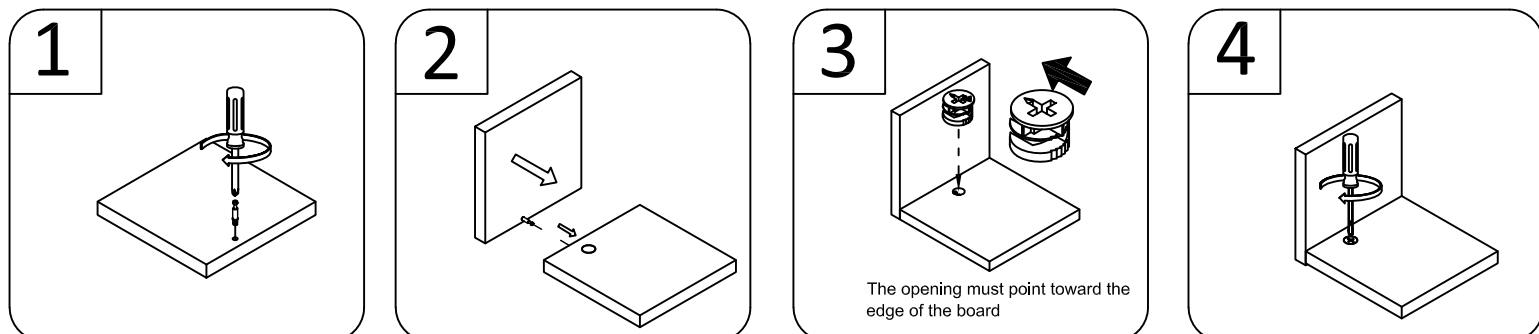


⑦ X6

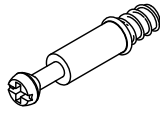
A	X24+1	B	X24+1	C	X36+2	D	X12+1
							
Ø6*33		Ø15*9.5		Ø8*30		Ø4*38	
E	X6+1	F	X1	G	X18+1	H	X1
							
Ø3*14				Ø3*14		70*30*5	

## Cam Lock Fastening System

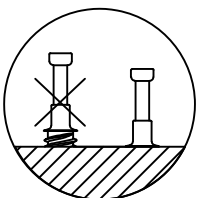
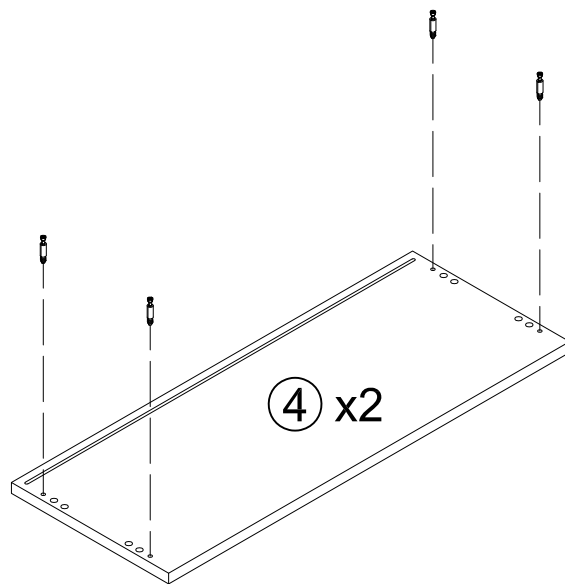
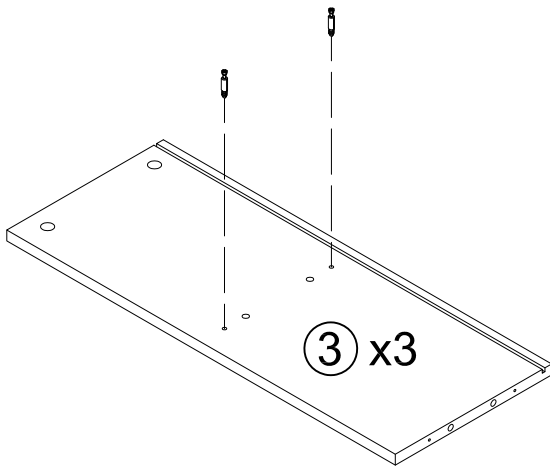
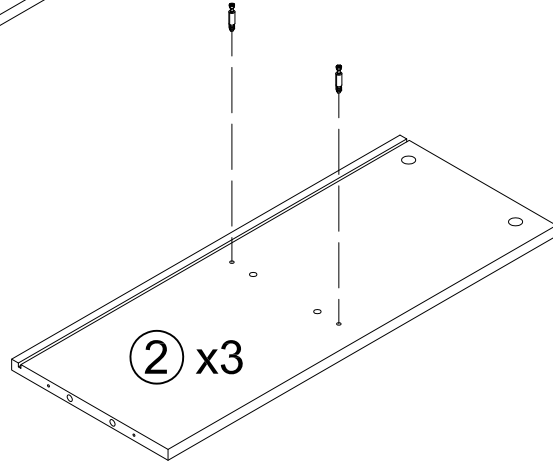
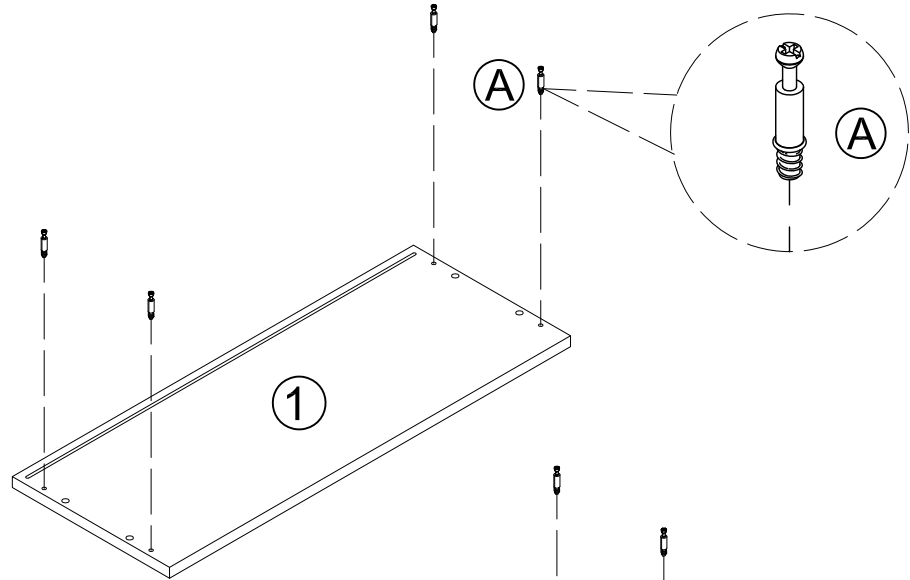
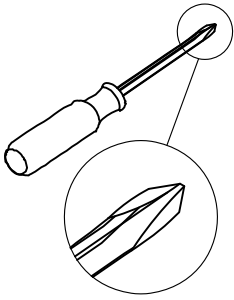
Insert the cam bolt into the hole first, then insert the cam lock and lock it.



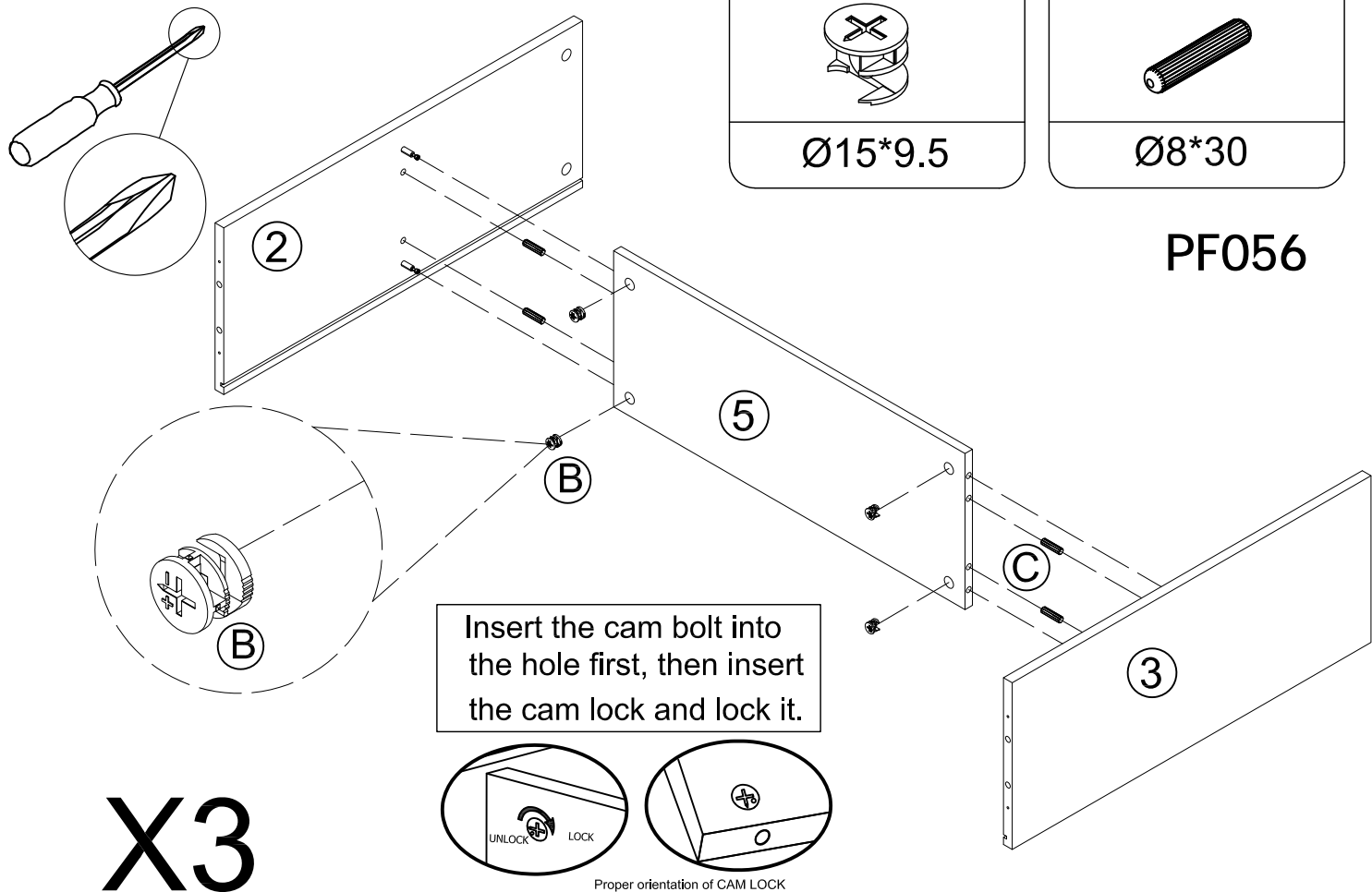
# STEP 1

(A)	X24
	
Ø6*33	

PF056



# STEP 2

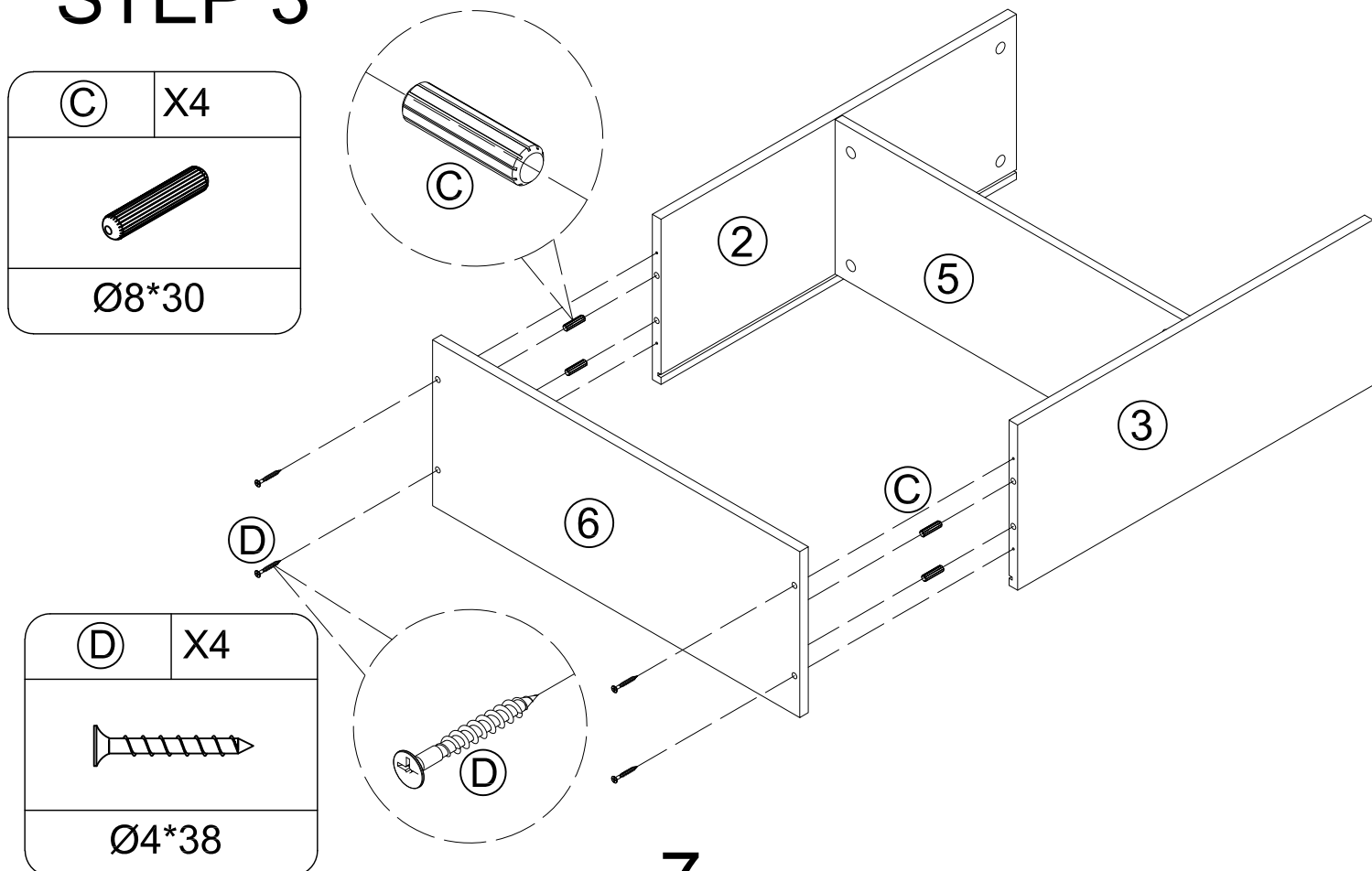


(B)	X12
Ø15*9.5	

(C)	X12
Ø8*30	

PF056

# STEP 3

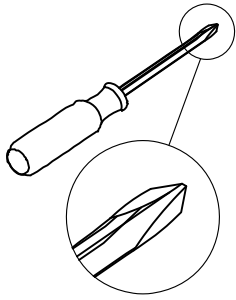



(C)	X4
Ø8*30	

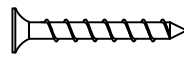
(D)	X4
Ø4*38	

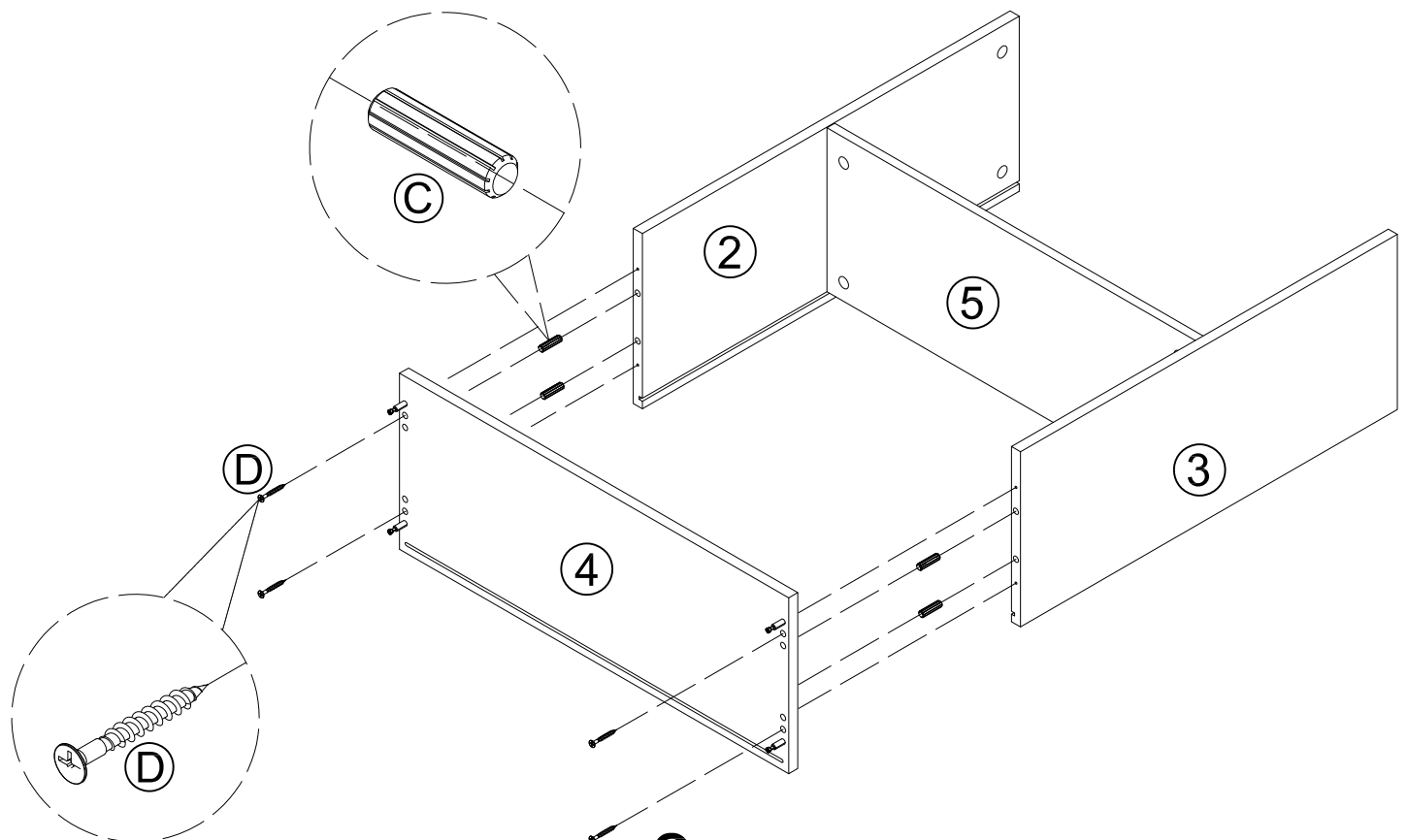
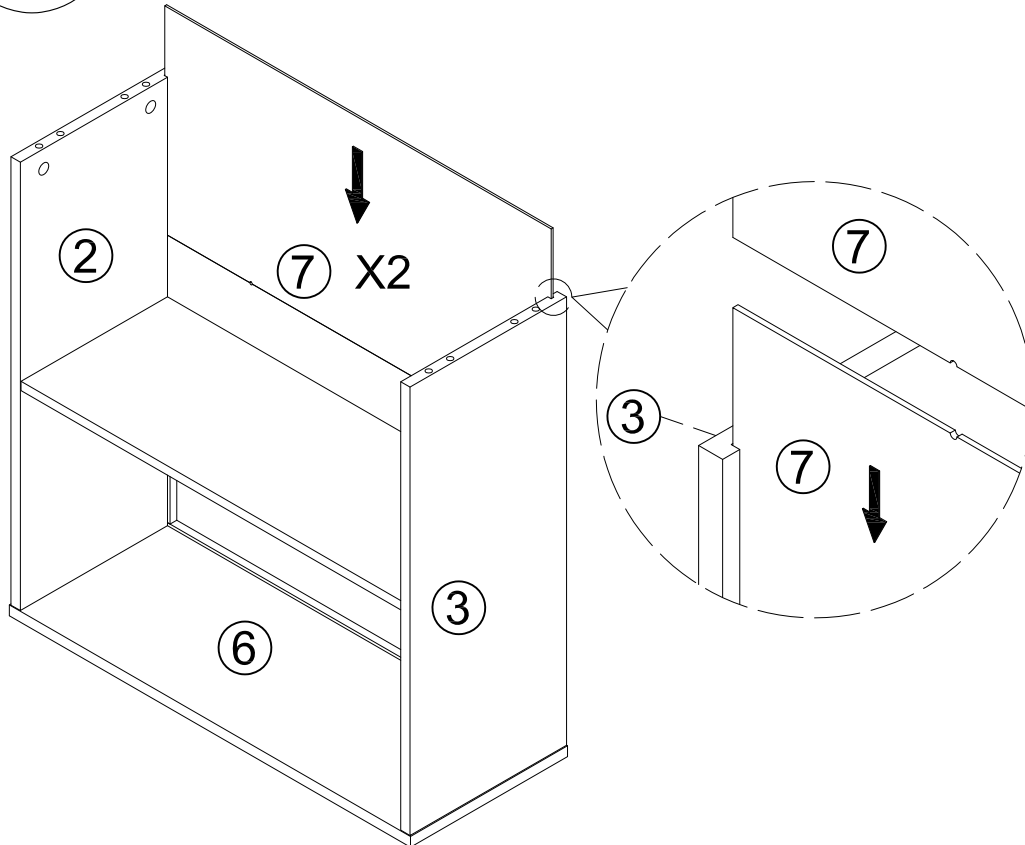
PF056

# STEP 4

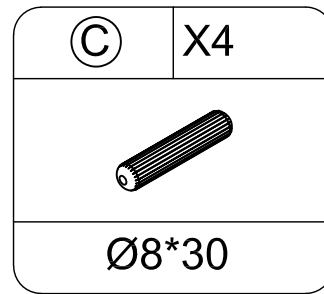
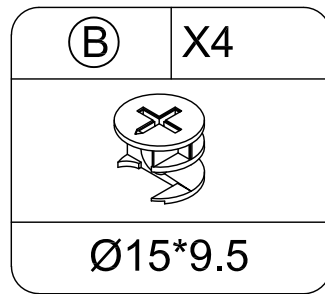
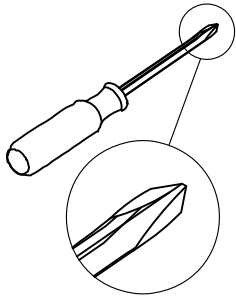


Ⓒ	X4
	
Ø8*30	

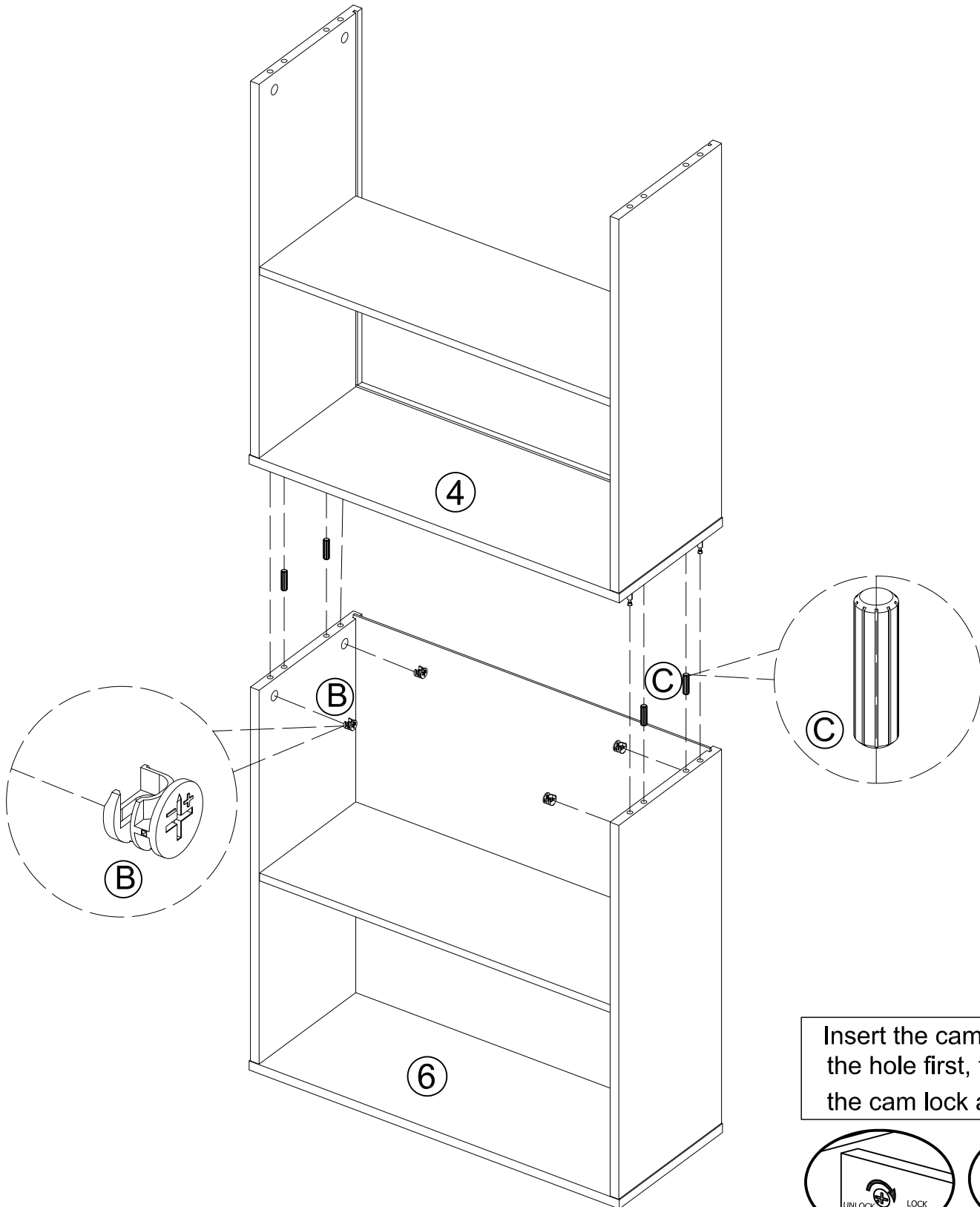
Ⓓ	X4
	
Ø4*38	



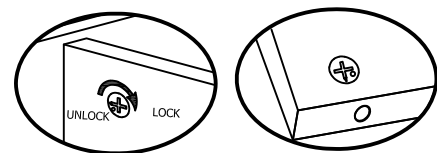
# STEP 5



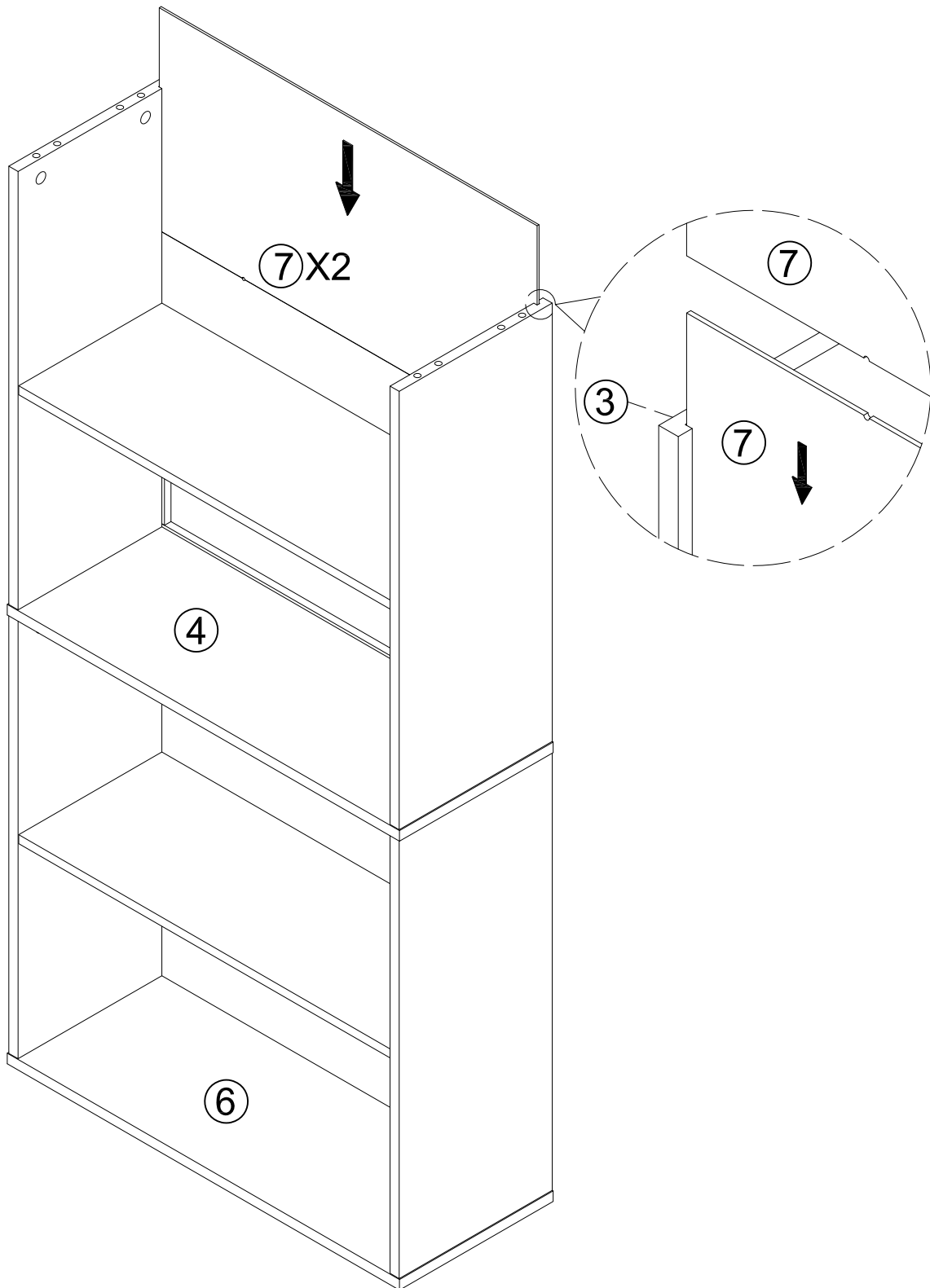
PF056



Insert the cam bolt into the hole first, then insert the cam lock and lock it.

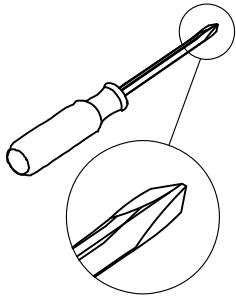



Proper orientation of CAM LOCK

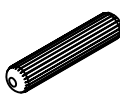


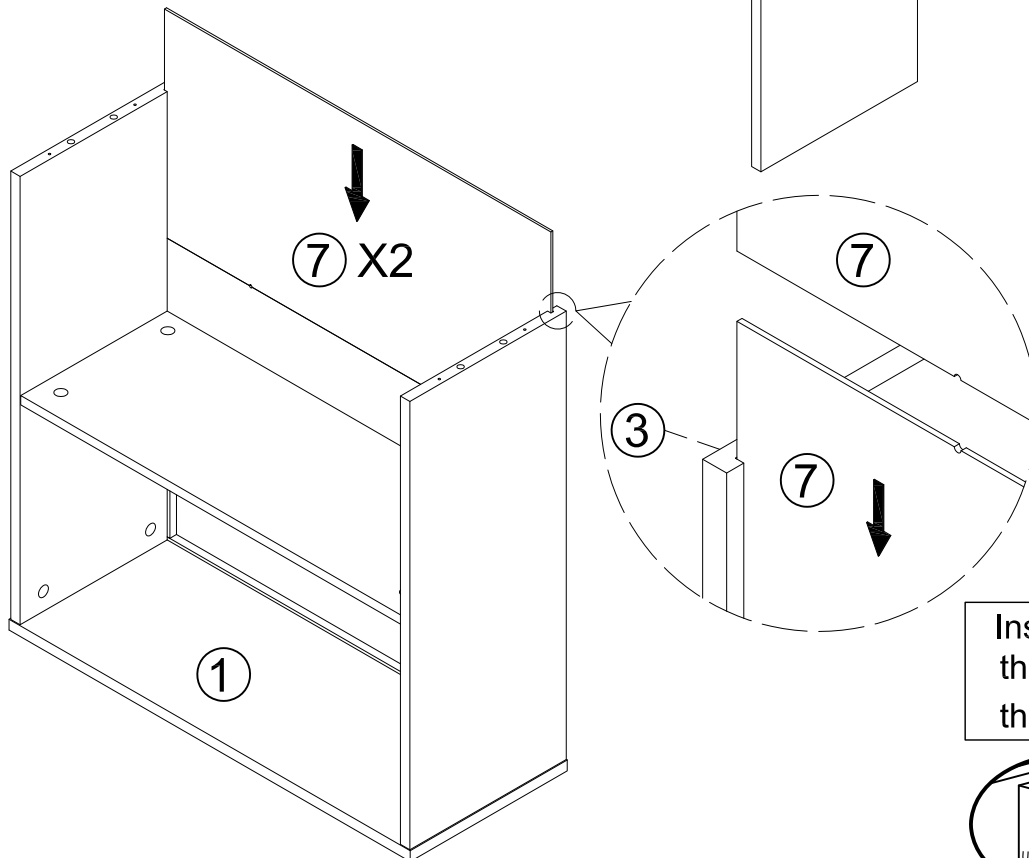
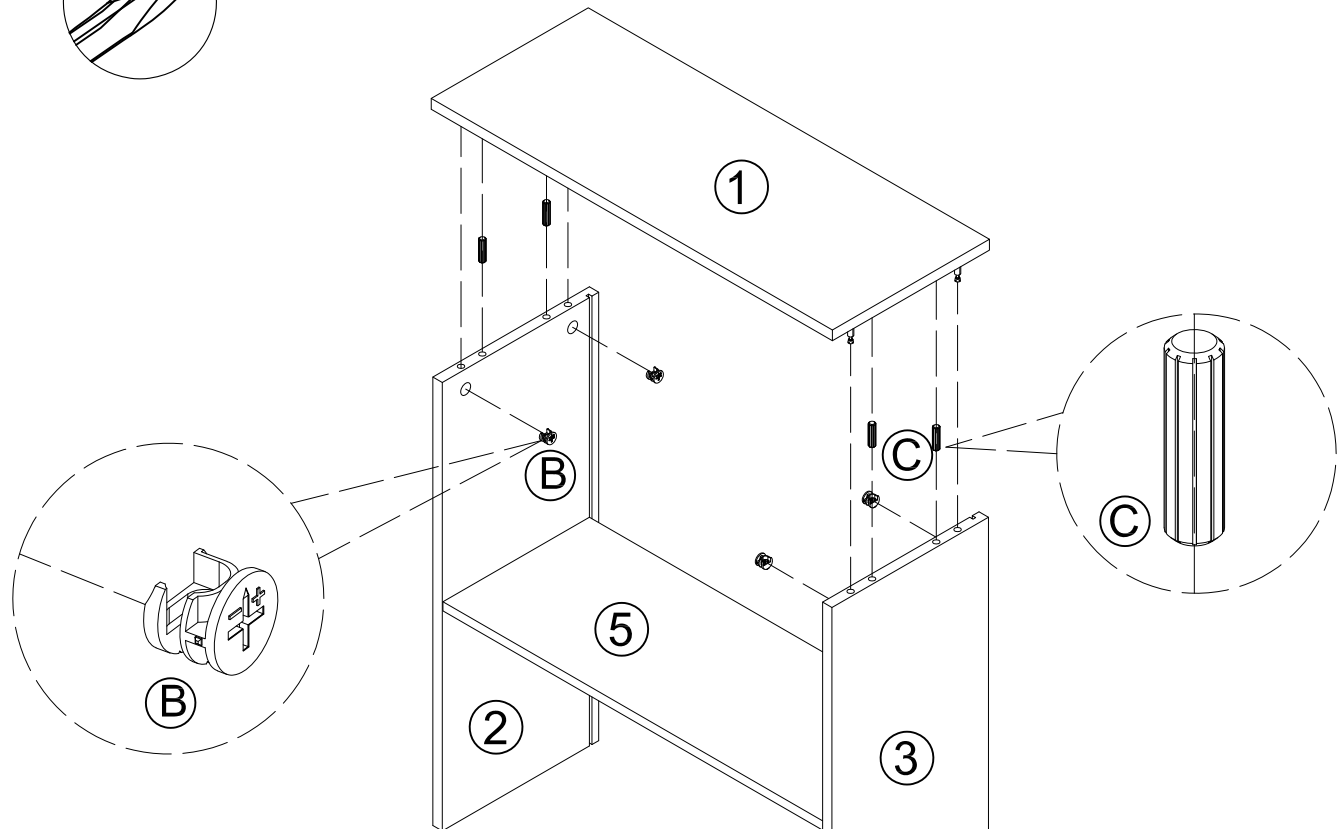
# STEP 7

PF056

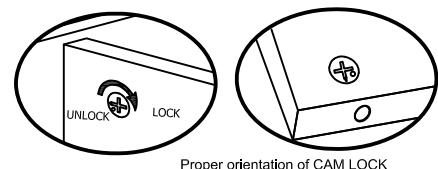


(B)	X4
	
Ø15*9.5	

(C)	X4
	
Ø8*30	



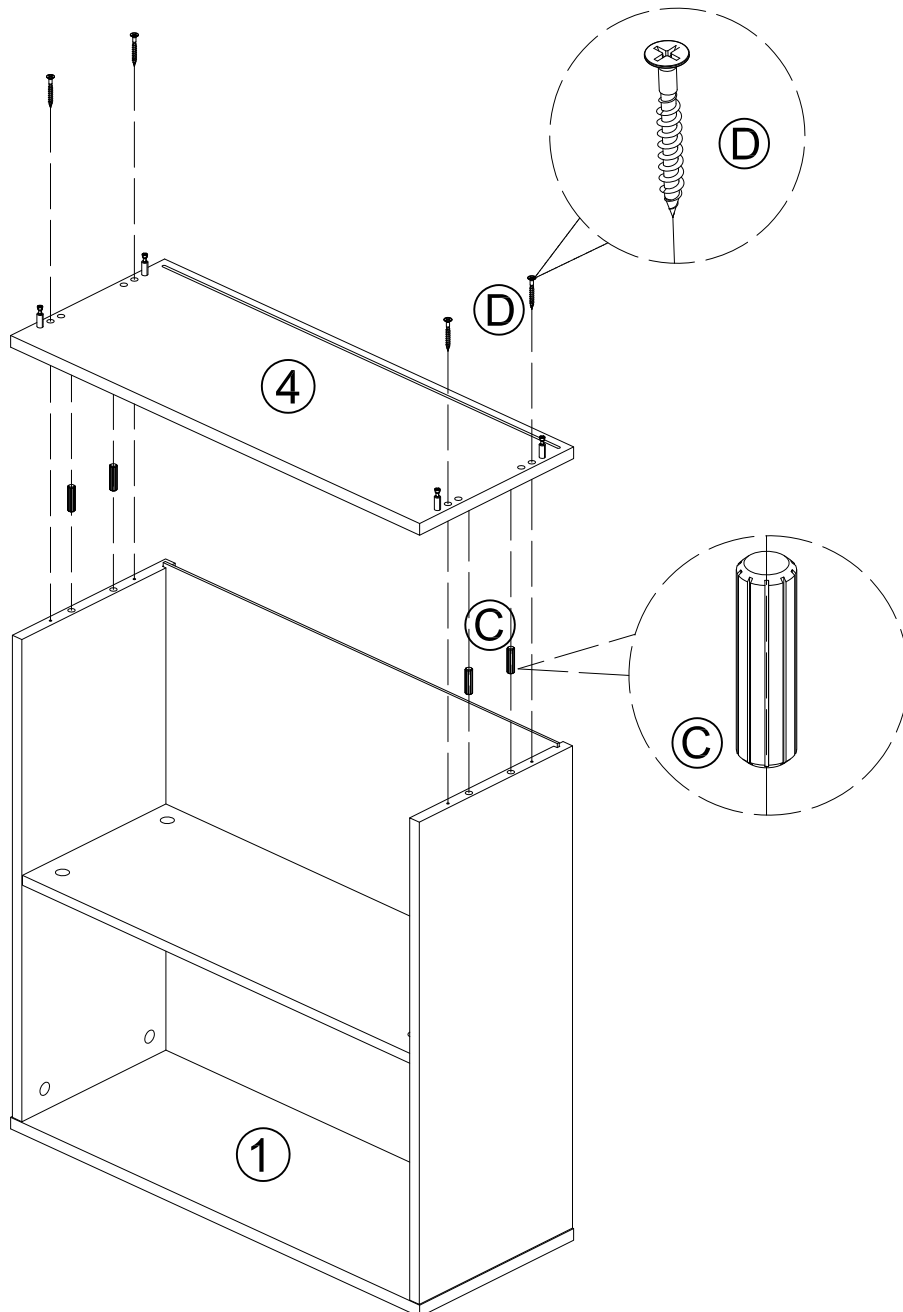
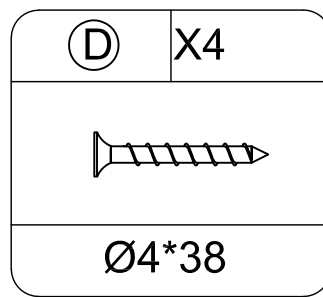
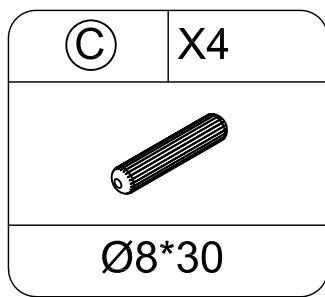
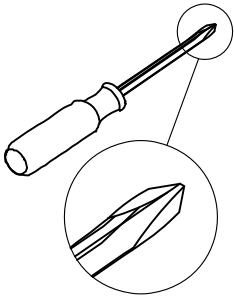
Insert the cam bolt into the hole first, then insert the cam lock and lock it.



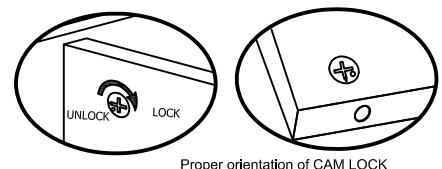
Proper orientation of CAM LOCK

# STEP 8

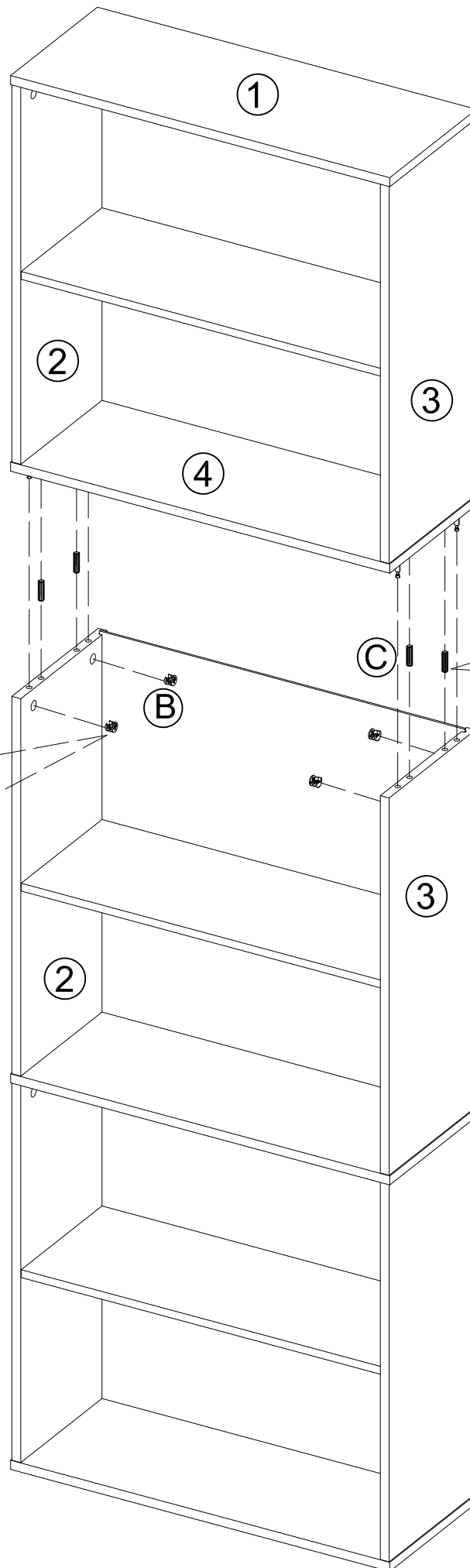
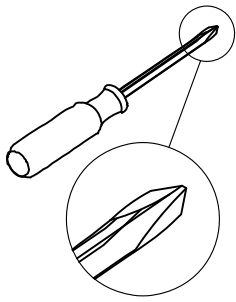
PF056





Insert the cam bolt into the hole first, then insert the cam lock and lock it.



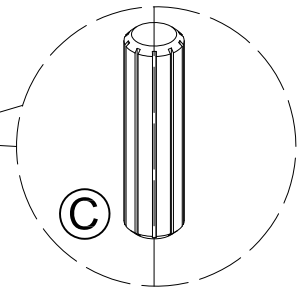
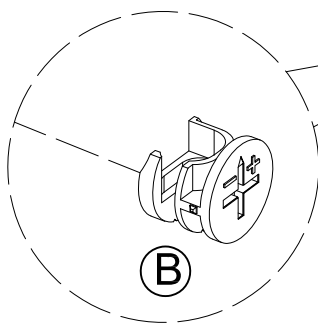
# STEP 9



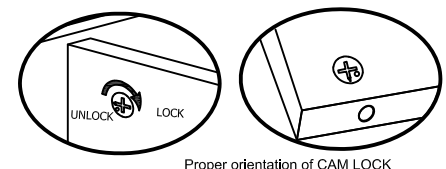
(B)	X4
	
Ø15*9.5	

(C)	X4
	
Ø8*30	

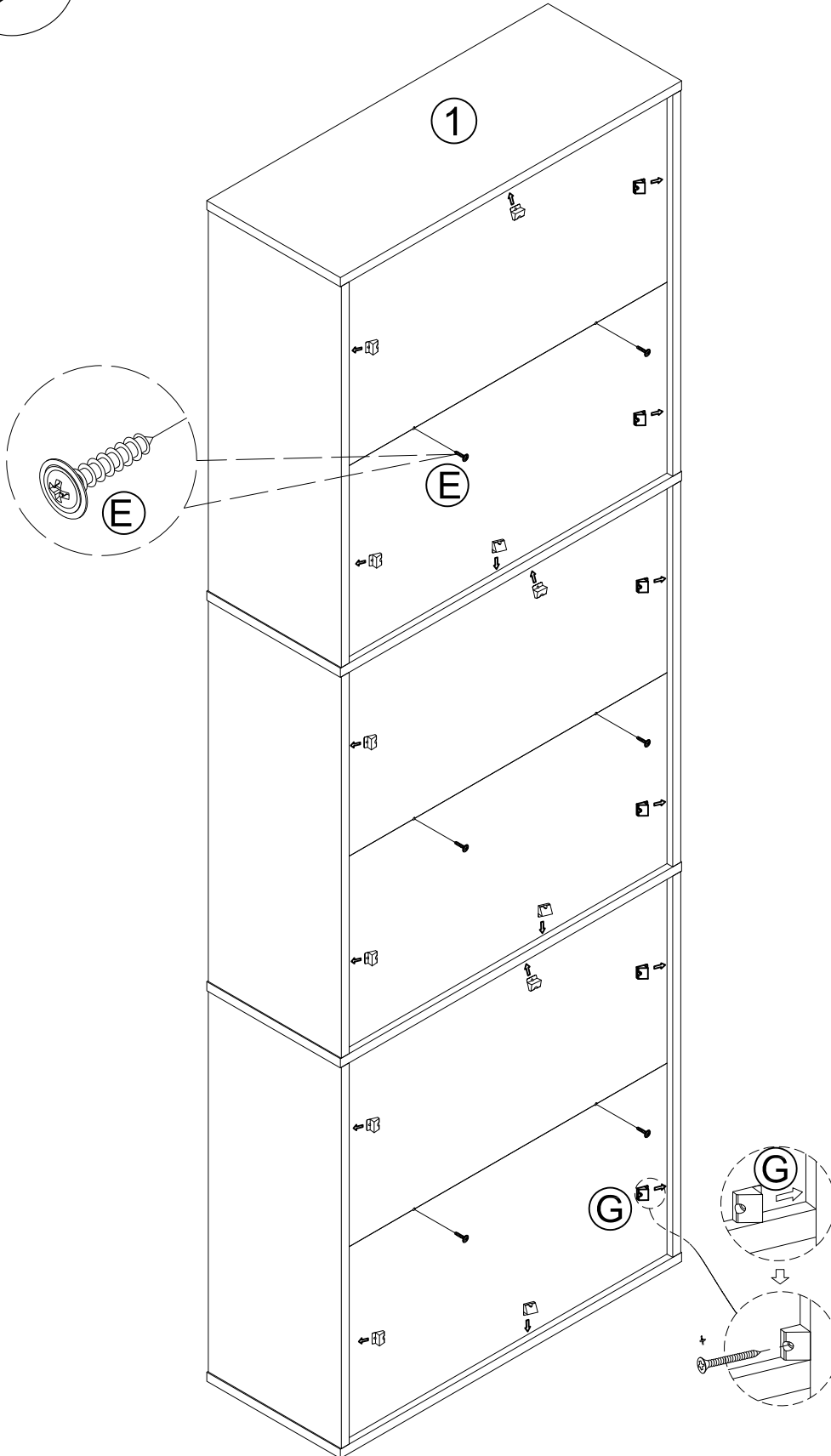
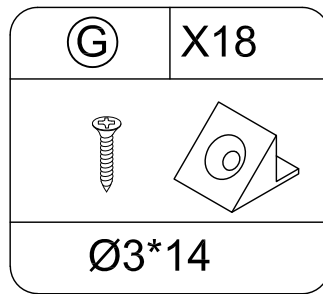
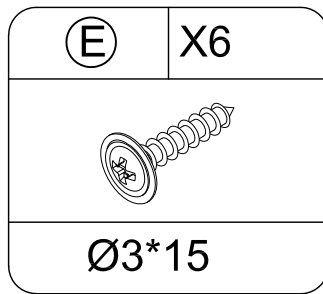
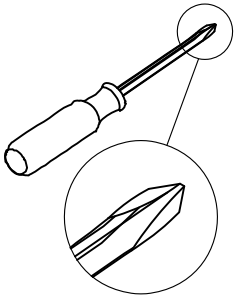
PF056



Insert the cam bolt into the hole first, then insert the cam lock and lock it.



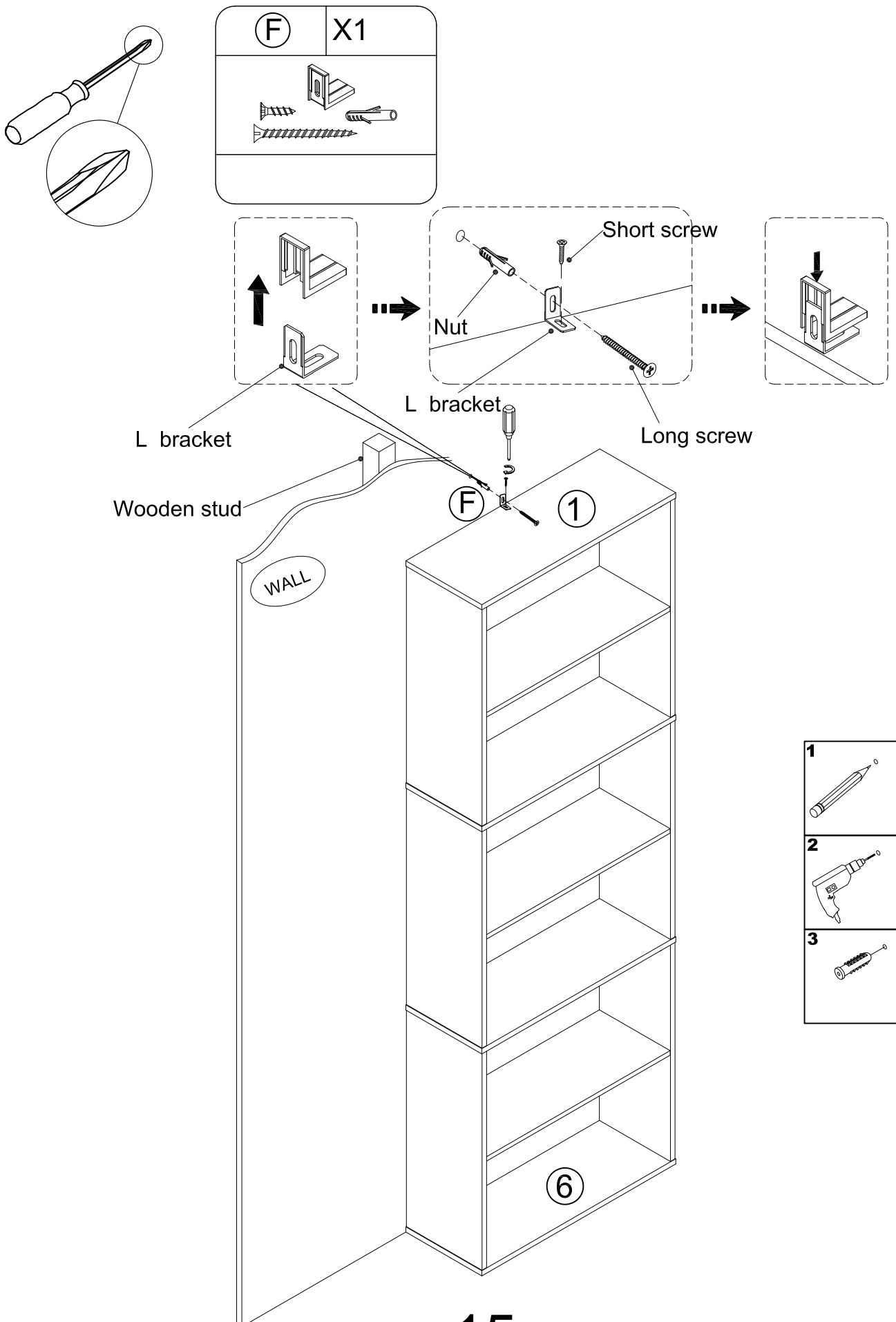
# STEP 10



# STEP 11

PF056

Serious or fatal injuries can occur from furniture tipping over. To prevent the furniture from tipping over we recommend that it is permanently fixed to the wall. Wall anchor and hardware are included with this product. Please make sure hardware is suitable for your walls before installing, as different wall materials may require different types of anchors.



# FURNITURE CARE AND MAINTENANCE

## MDF and Particleboard

Thank you for your purchase. We want your item to last as long as possible. To ensure the product gives you years of service, please refer to this care and maintenance guide.



### MAINTENANCE

- . Tighten all bolts and screws again within the first 2 weeks of assembly
- . Check the tightness of all bolts every 2 months, tighten them if necessary



### CLEANING

- . Clean the surface of the MDF and particleboard with a lightly dampened cloth
- . Small amount of mild soap can be used if necessary
- . Dry the surface immediately after cleaning.
  
- . DO NOT use bleach or alcohol detergent to clean the surface.
- . DO NOT apply wood treatment on parts made with MDF and particleboard.

MDF and Particleboard will swell and distort when suffer damage.  
Make sure to dry the furniture immediately after cleaning