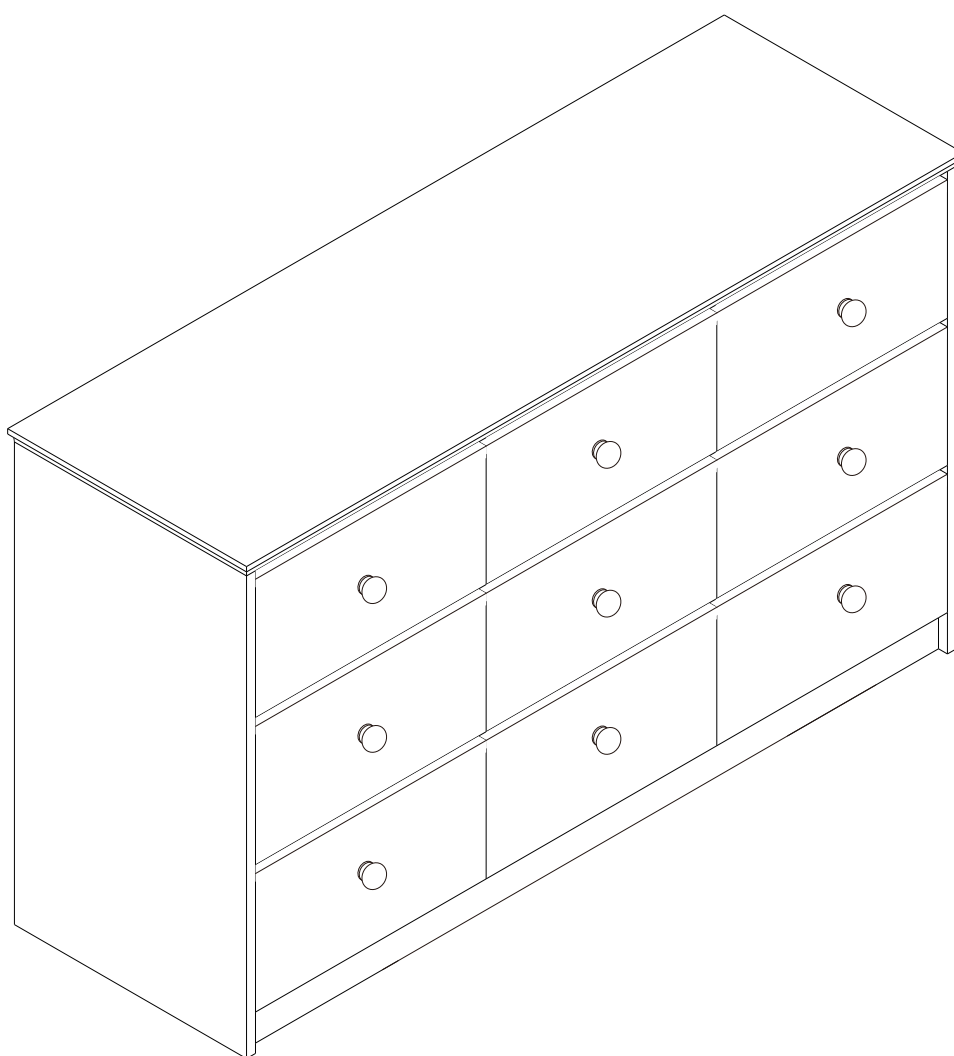


ASSEMBLY INSTRUCTIONS



THIS INSTRUCTIONS CONTAINS IMPORTANT SAFETY INFORMATION.
PLEASE READ BEFORE ASSEMBLY AND KEEP FOR FUTURE REFERENCE.

IMPORTANT NOTICE

- This product contains small components, please ensure that they are kept away from small children.
- THIS INSTRUCTIONS CONTAINS IMPORTANT SAFETY INFORMATION. PLEASE READ BEFORE ASSEMBLY AND KEEP FOR FUTURE REFERENCE.
- Read each step carefully. It is very important that each step of instruction is performed in the correct order. If these steps are not followed in sequence, assembly difficulties will occur.
- Make sure all parts are included. Most parts are labelled or stamped on the raw edge.
- Work in spacious area, preferably on a carpet, near the place the unit will be used.
- Do not use power tools to assemble your furniture. Power tools may strip or damage the parts.
- Move your new furniture carefully, with two people lift and carry the unit to it's new location.
- Never push, drag or pull your furniture (especially on carpet)





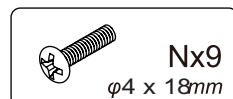
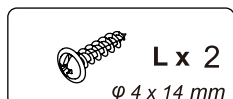
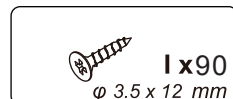
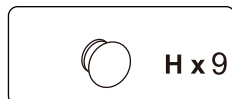
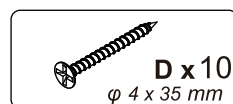
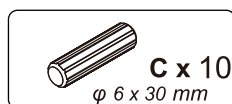
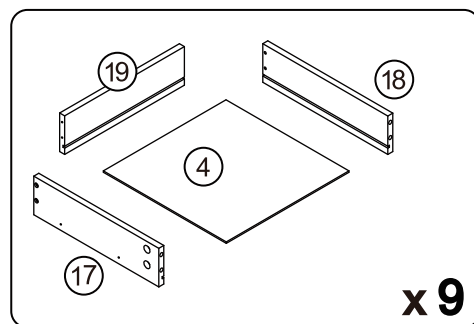
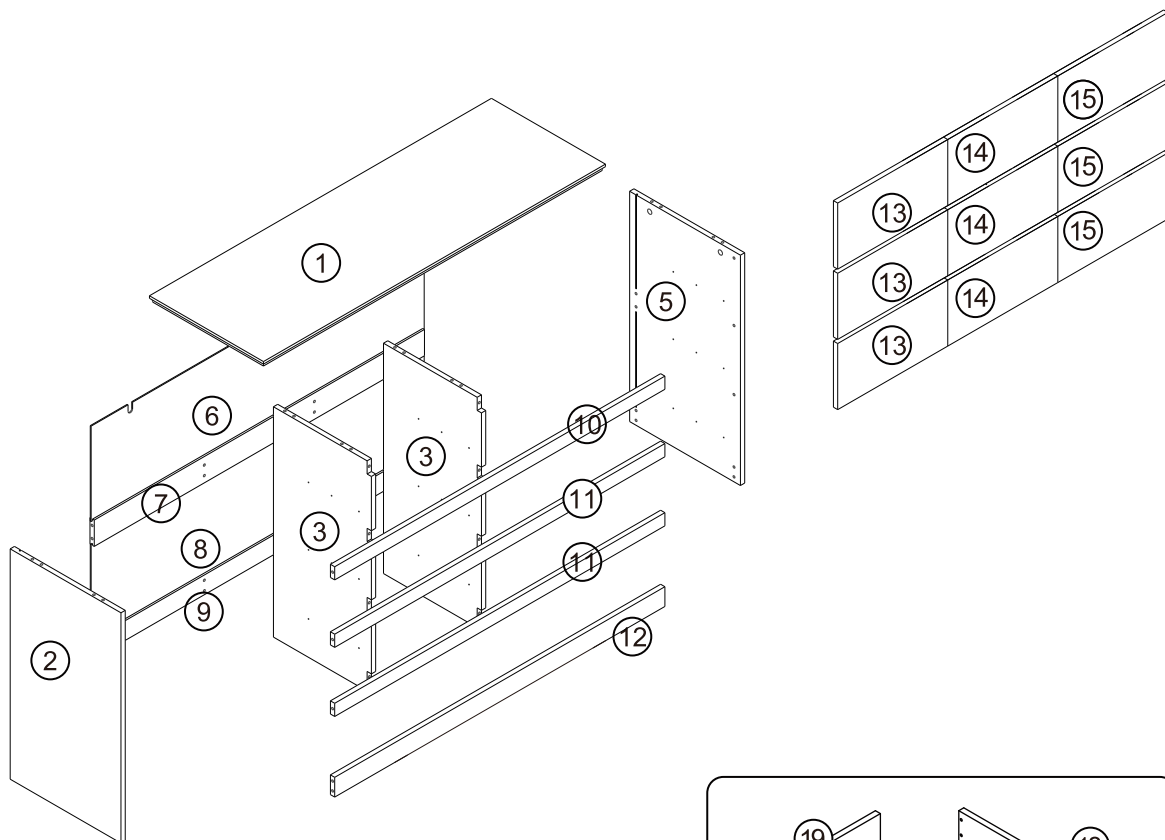
PLEASE DO NOT RETURN PRODUCT TO US IMMEDIATELY

If a part is missing or damaged, email our customer service. We will gladly ship your replacement parts FREE of charge.

Need Parts or Assistance? Email us at cs@nbrehome.com

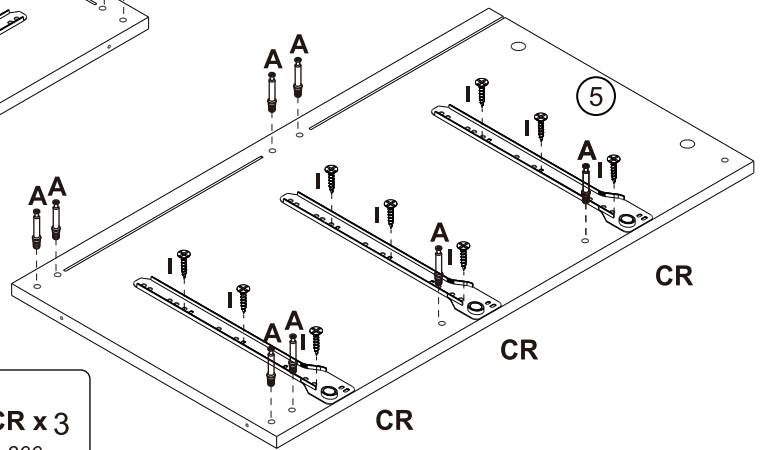
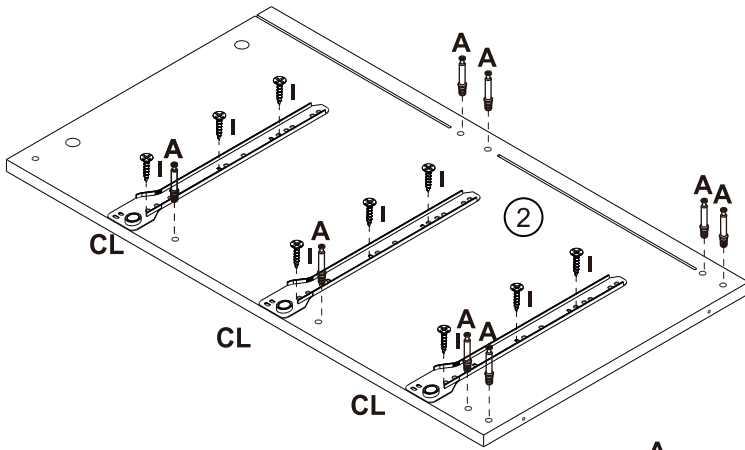
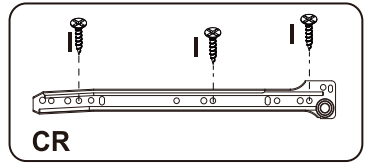
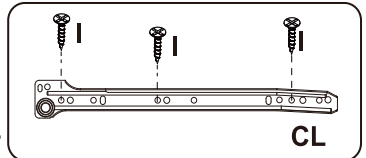
For Prompt, reliable service, please have your assemble instruction ready.

! WARNING	
	Children have died from furniture tipover. To reduce the risk of furniture tipover: <ul style="list-style-type: none">• ALWAYS install anti-tip device provided.• NEVER put a TV on this product.• NEVER allow children to stand, climb or hang on any drawers, doors, or shelves.• NEVER open more than one drawer at a time.• Place heaviest items in the lowest drawers.
	<p><i>This is a permanent label. Do not remove!</i></p>



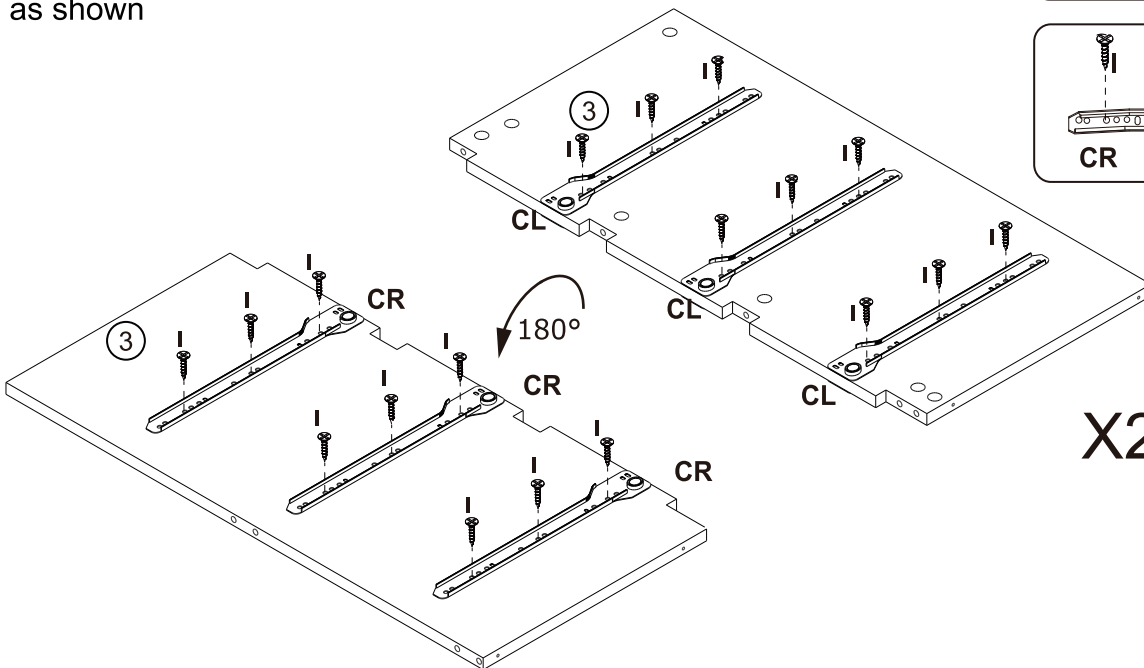
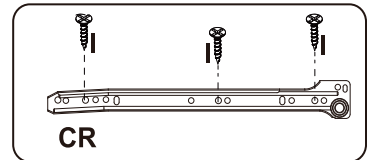
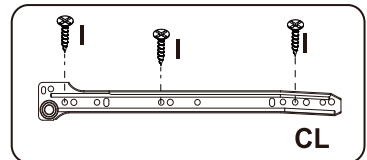
Step 1

Insert quickfit screws(A) into corresponding holes in part 2&5 as shown. Then fix left outer drawer runner (CL) and right outer drawer runner (CR) to parts 2&5 using screws (I), as shown



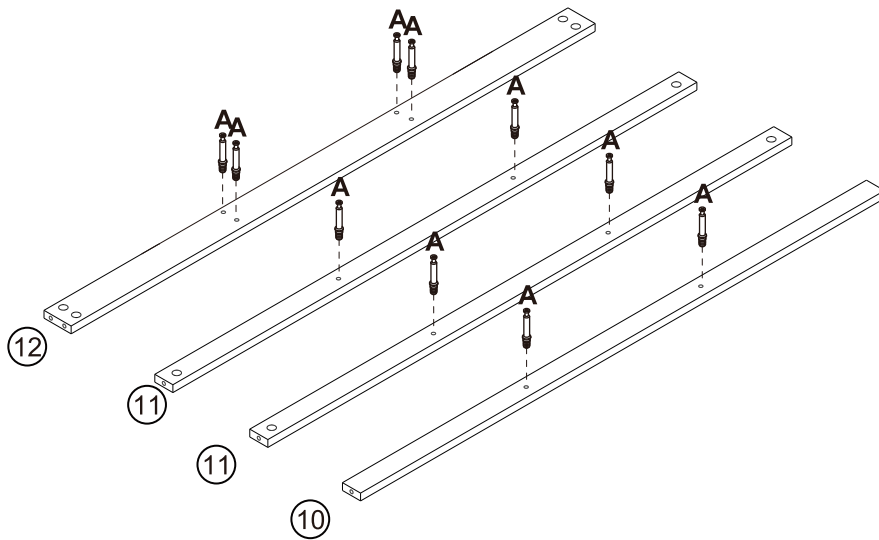
Step 2

Fix left outer drawer runner (CL) to parts 3 using screws (I), as shown. And fix right outer drawer runner (CR) to parts 3 using screws (I), as shown



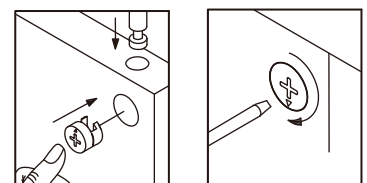
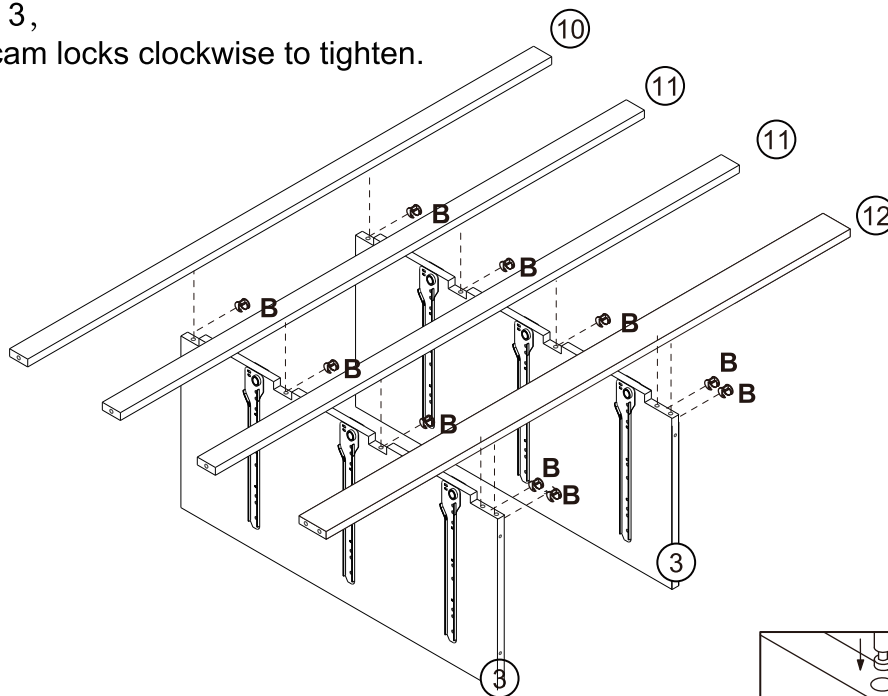
Step 3

Insert quickfit screws(A) into corresponding holes in part 10&11&12.



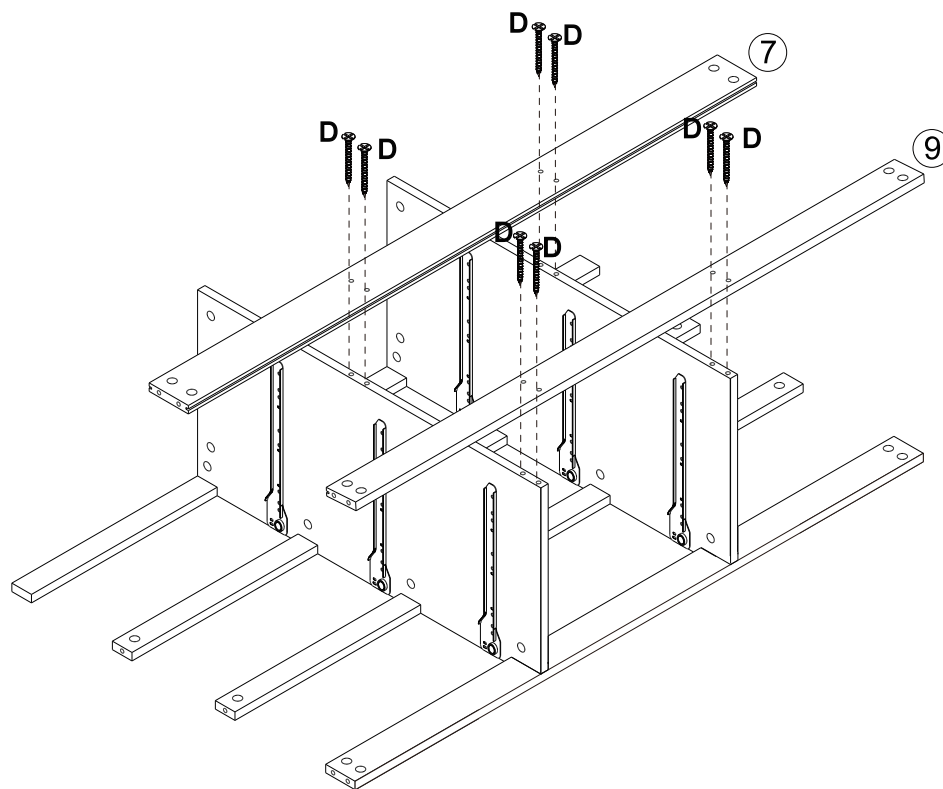
Step 4

Insert cam locks(B) into parts 10&11&12.
and attach parts 3,
as shown. Turn cam locks clockwise to tighten.



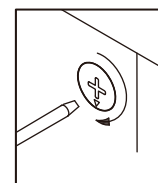
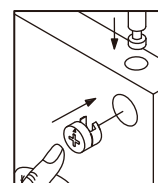
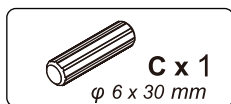
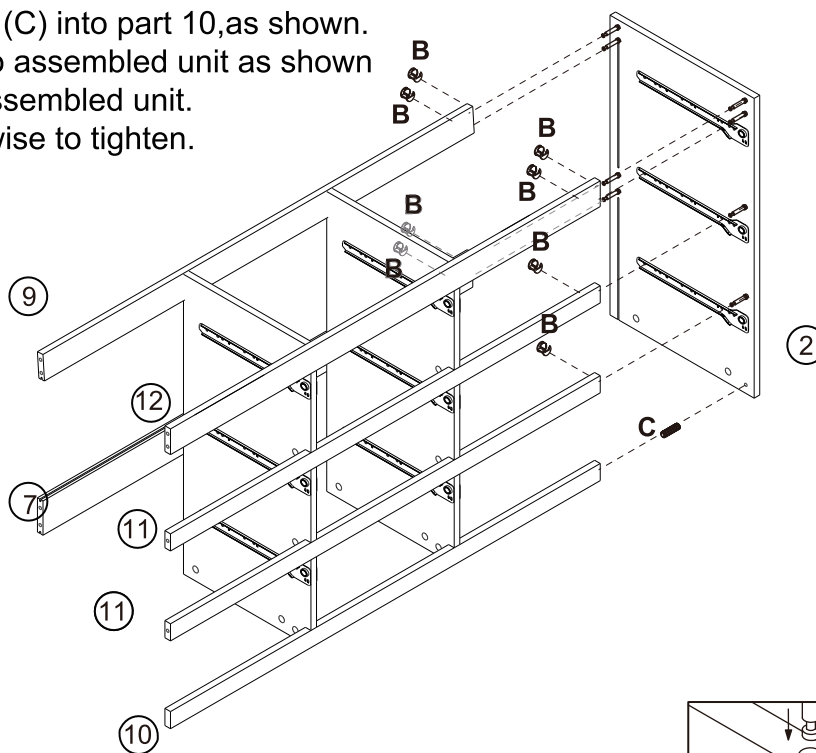
Step 5

Attach part 7&9 to assembled unit using screws (D) ,
as shown



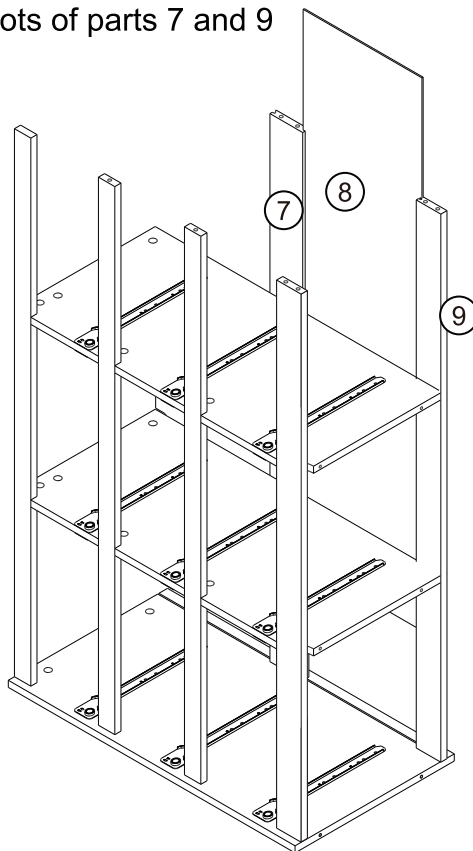
Step 6

Insert wooden dowels (C) into part 10, as shown.
Add cam locks (B) into assembled unit as shown
and attach part 2 to assembled unit.
Turn cam locks clockwise to tighten.



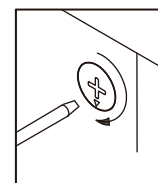
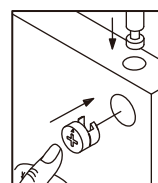
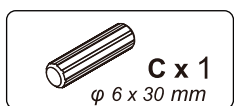
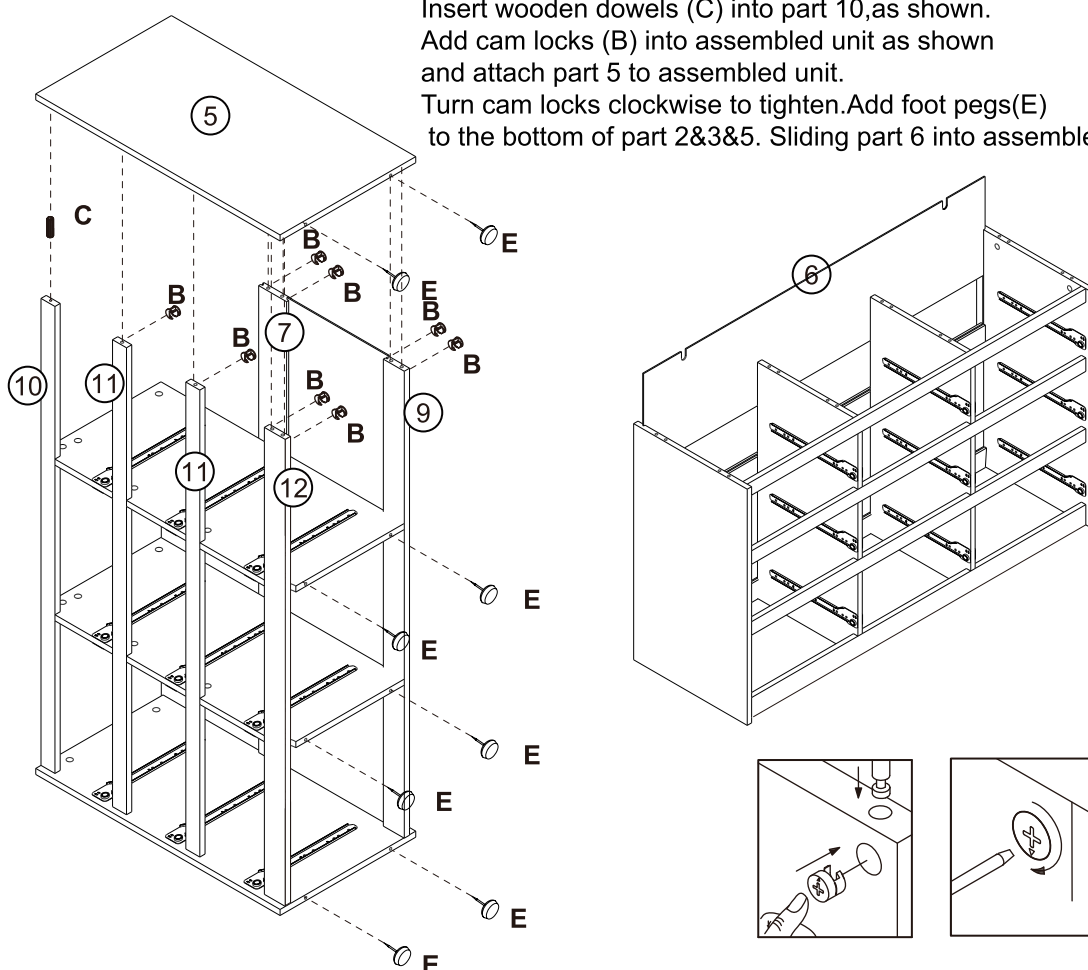
Step 7

Flipping assembled unit 90degrees horizontally then sliding part 8 into available slots of parts 7 and 9 as shown.



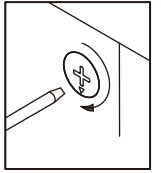
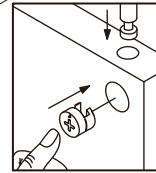
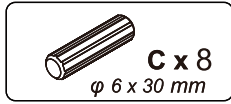
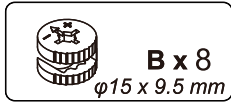
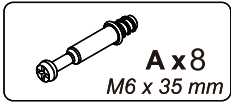
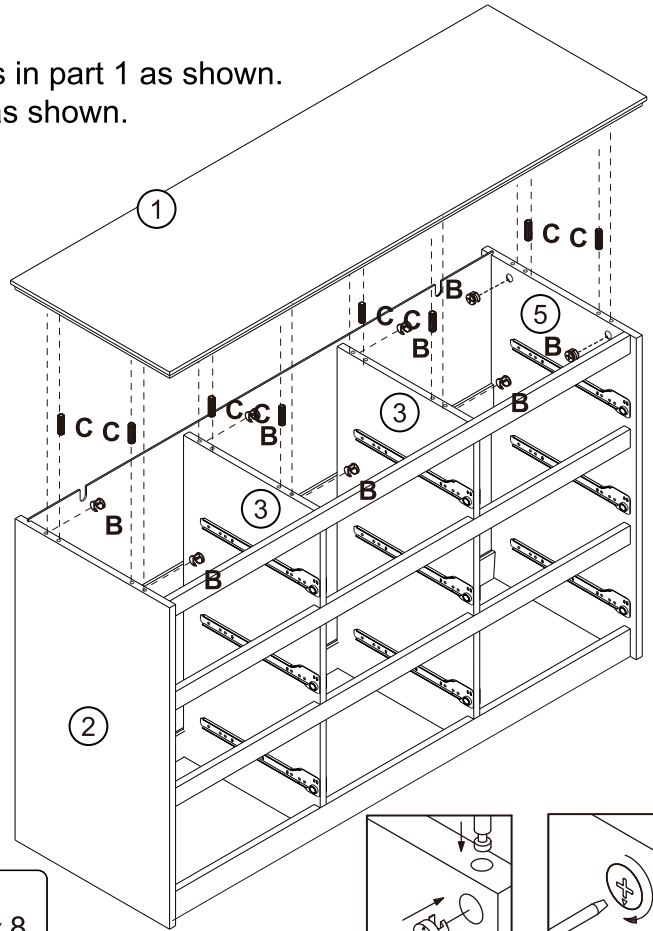
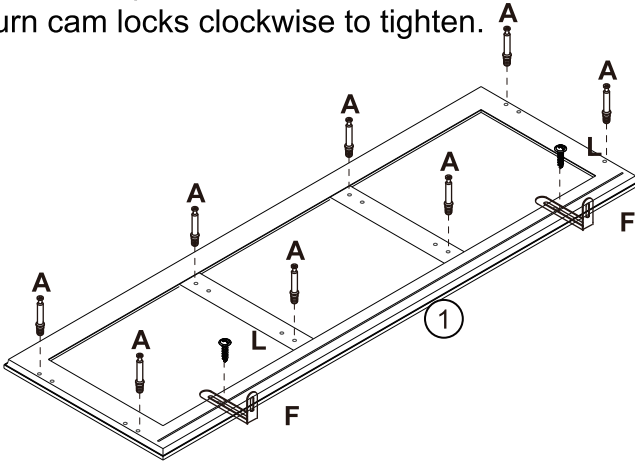
Step 8

Insert wooden dowels (C) into part 10, as shown. Add cam locks (B) into assembled unit as shown and attach part 5 to assembled unit. Turn cam locks clockwise to tighten. Add foot pegs (E) to the bottom of part 2&3&5. Sliding part 6 into assembled units.



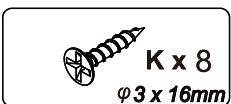
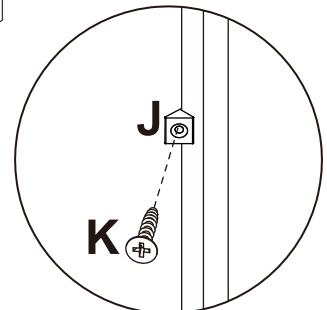
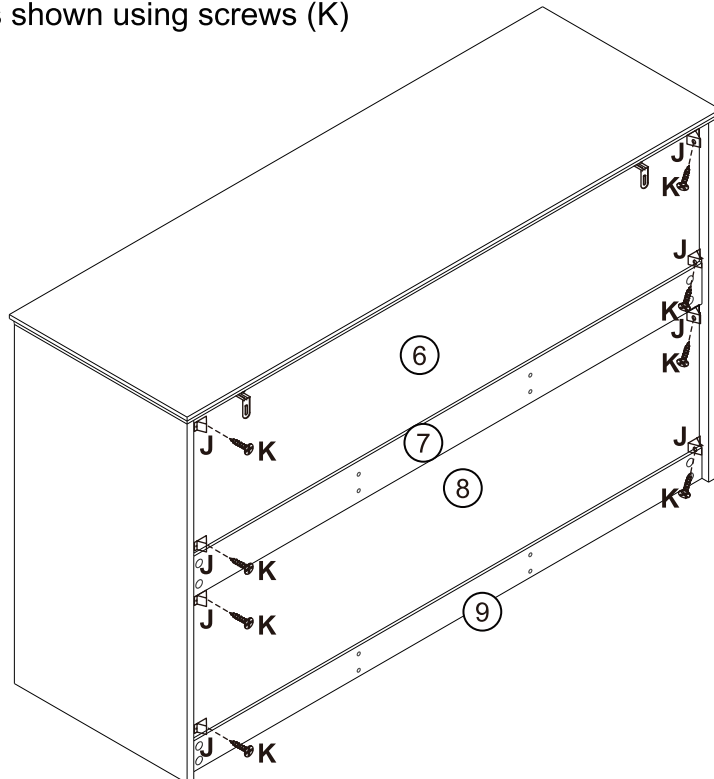
Step 9

Insert quickfit screws(A) into corresponding holes in part 1 as shown.
 Install anti-tipping device (F) using screws(L) as shown.
 Insert wooden dowels (C).
 Add cam locks (B) into assembled unit as shown
 and attach part 1 to assembled unit.
 Turn cam locks clockwise to tighten.



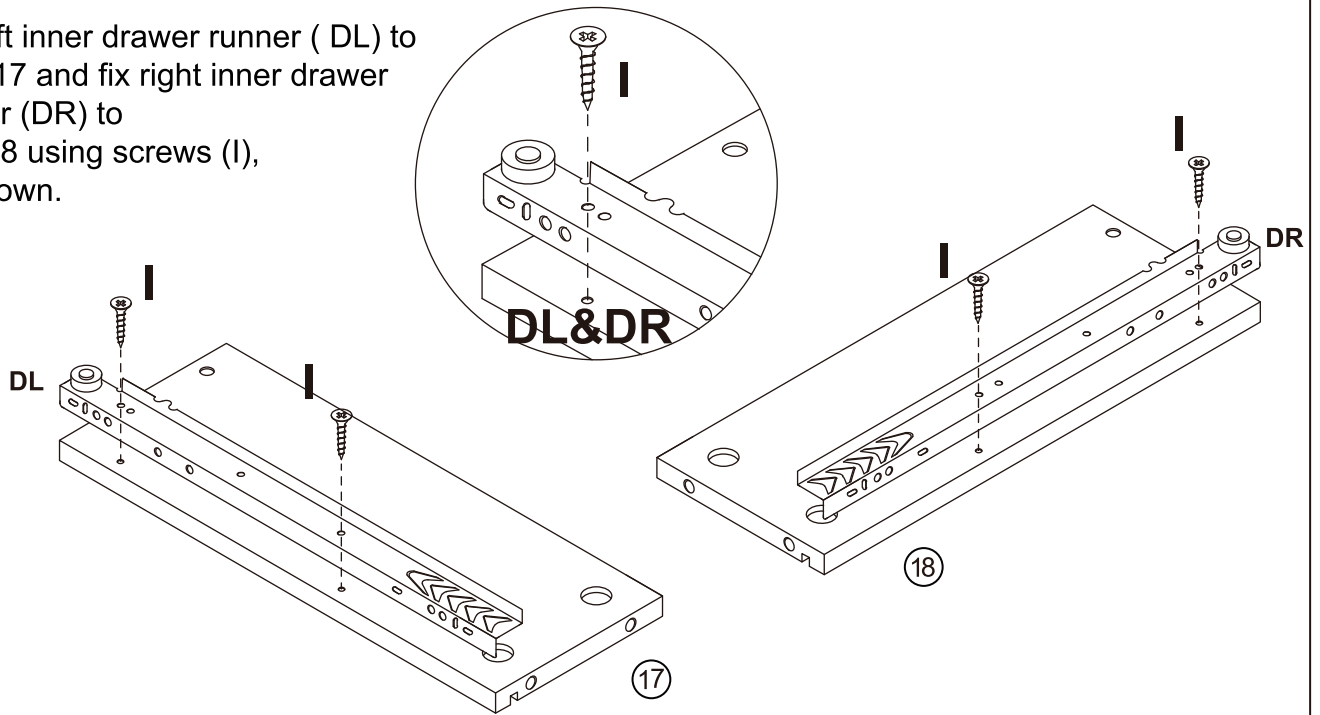
Step 10

Attach wedges (J) as shown using screws (K)



Step 11

Fix left inner drawer runner (DL) to part 17 and fix right inner drawer runner (DR) to part 18 using screws (I), as shown.



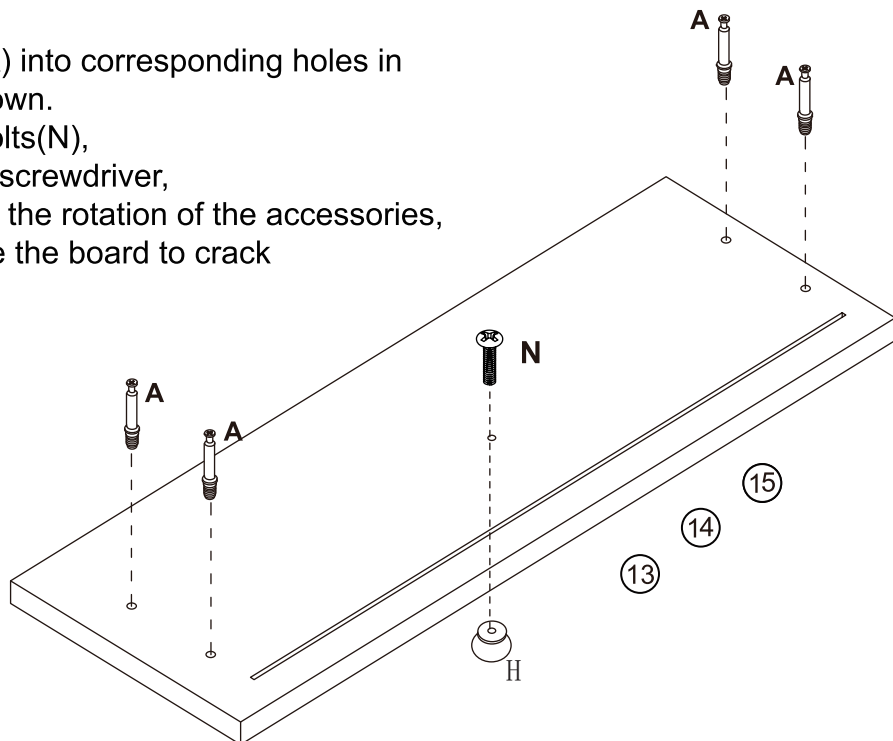
x9



Step 12

Insert quickfit screws (A) into corresponding holes in parts 13 & 14 & 15 as shown.

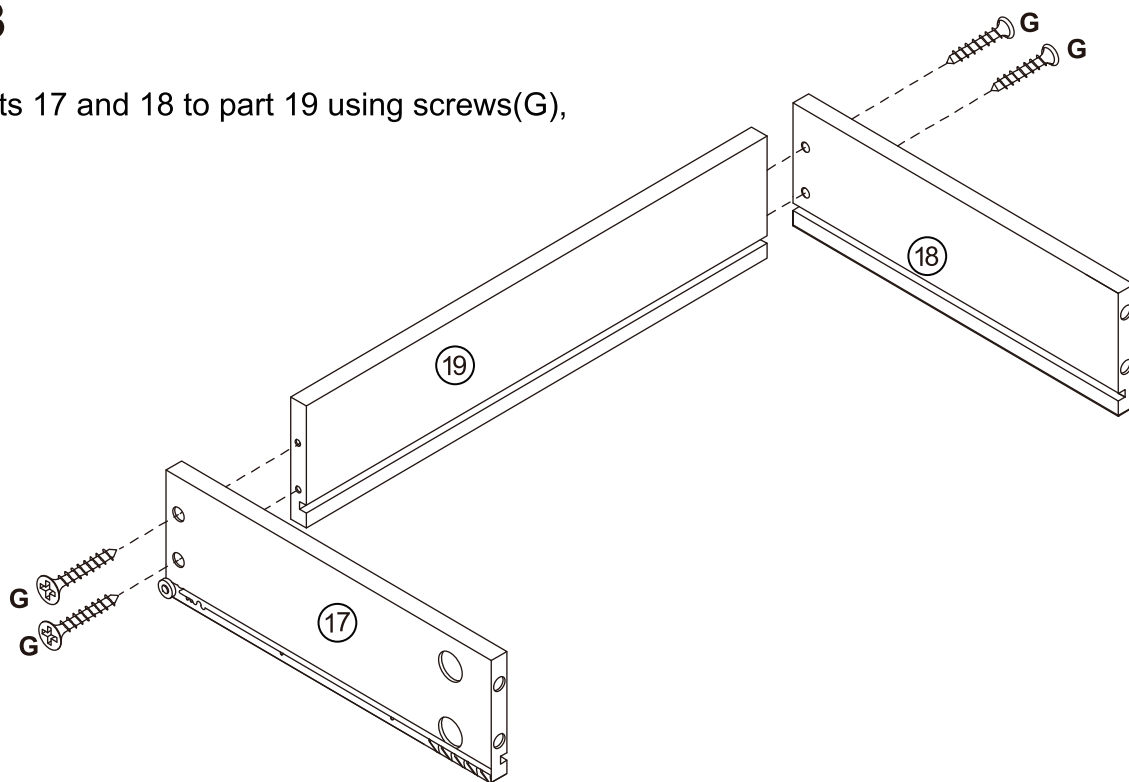
Fix handle (H) using bolts (N),
.Do not use an electric screwdriver,
do not use force during the rotation of the accessories,
otherwise it may cause the board to crack



x9

Step 13

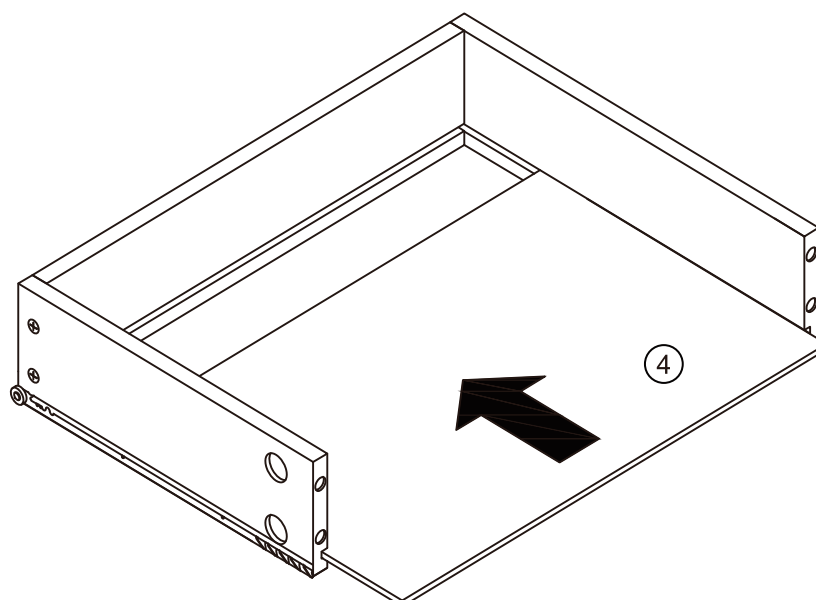
Attach parts 17 and 18 to part 19 using screws(G), as shown.



x9

Step 14

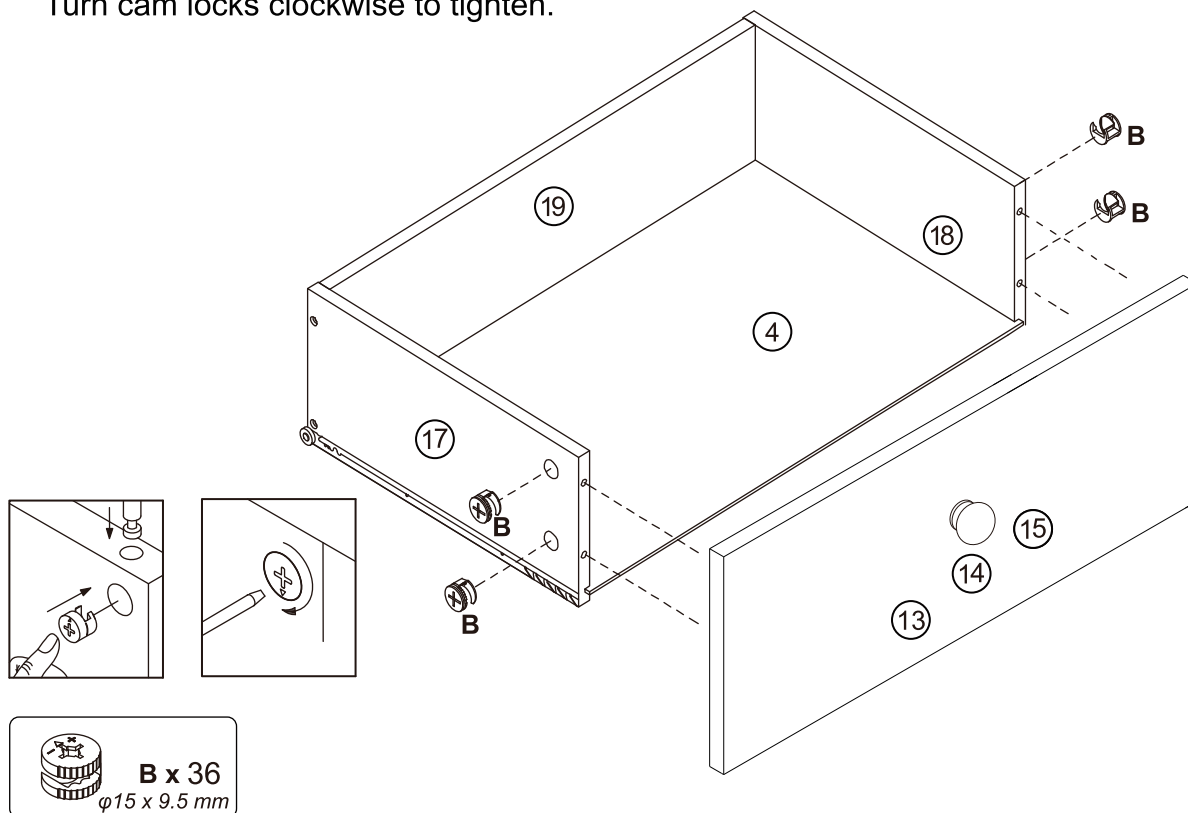
Slide part 4 into available slots as shown.



x9

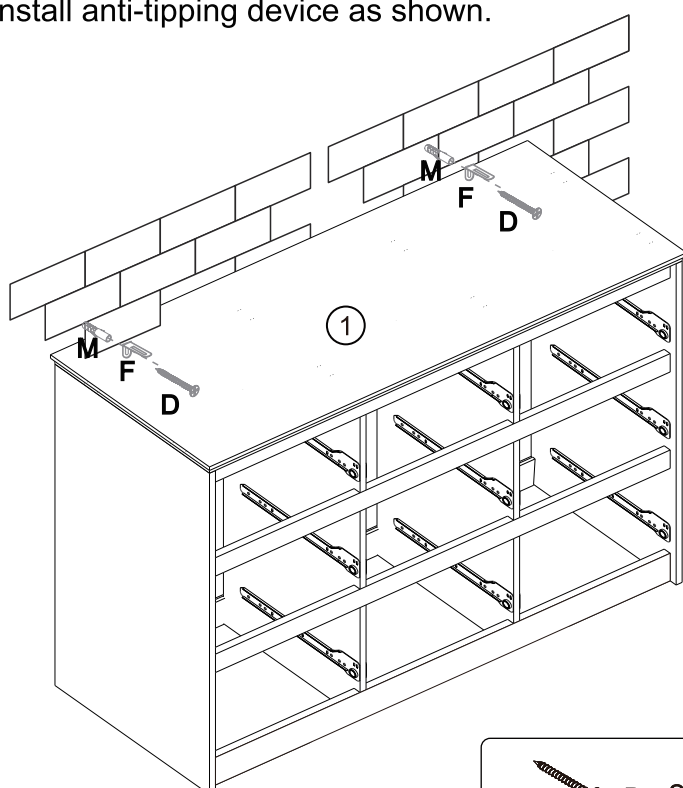
Step 15

Insert cam locks(B) to parts 17&18 and attach part 13&14&15 as shown.
Turn cam locks clockwise to tighten.



Step 16

Install anti-tipping device as shown.



Step 17

The drawer slides must be aligned with the internal rails, otherwise the drawer will tilt.

