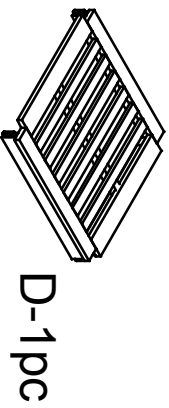
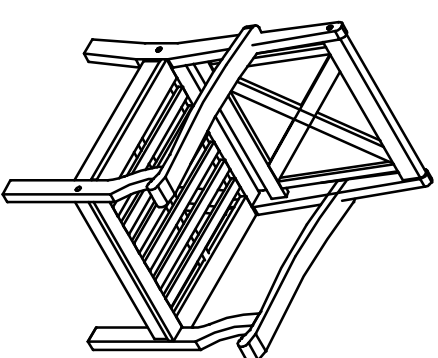
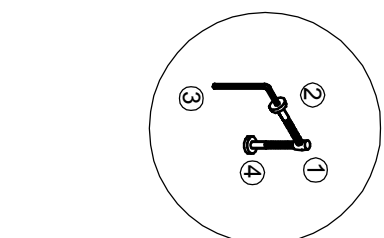
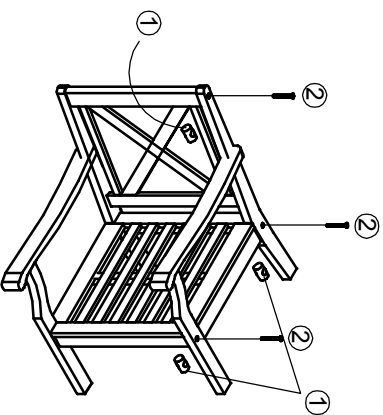
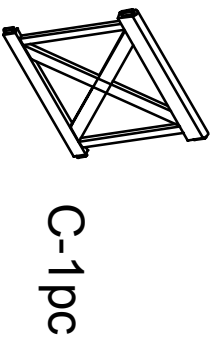
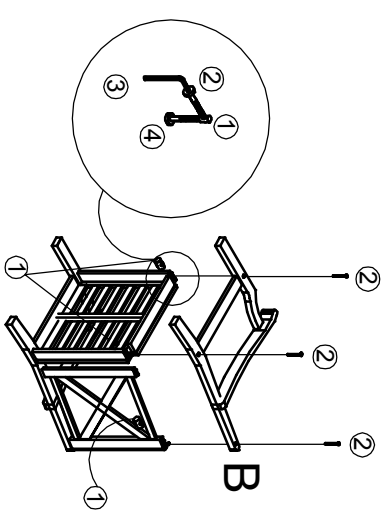
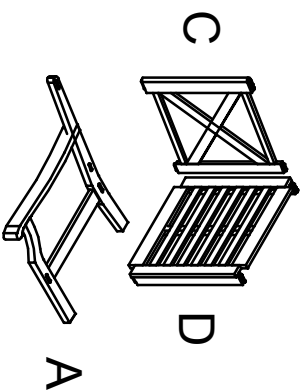
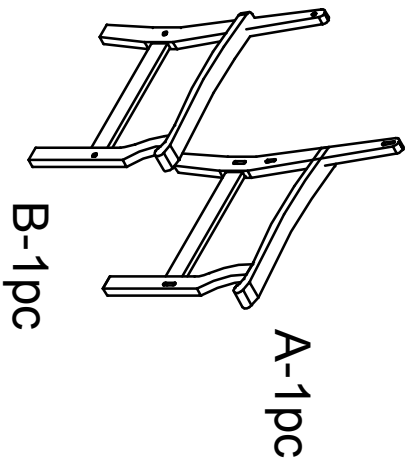


Plow & Hearth.

62A56BNT Product Name: X-Back Chair

ASSEMBLY INSTRUCTIONS



Fitting list



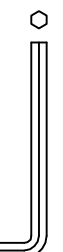
1

EXTRACT NUT M6 x 6 Pcs



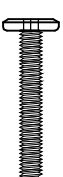
2

(M6 x 70) mm x 6Pcs



3

Allen Key M4x1pc



4

(M6 x 40) mm x1 Pcs