

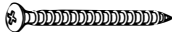



ASSEMBLY INSTRUCTION

317-857L/M Server

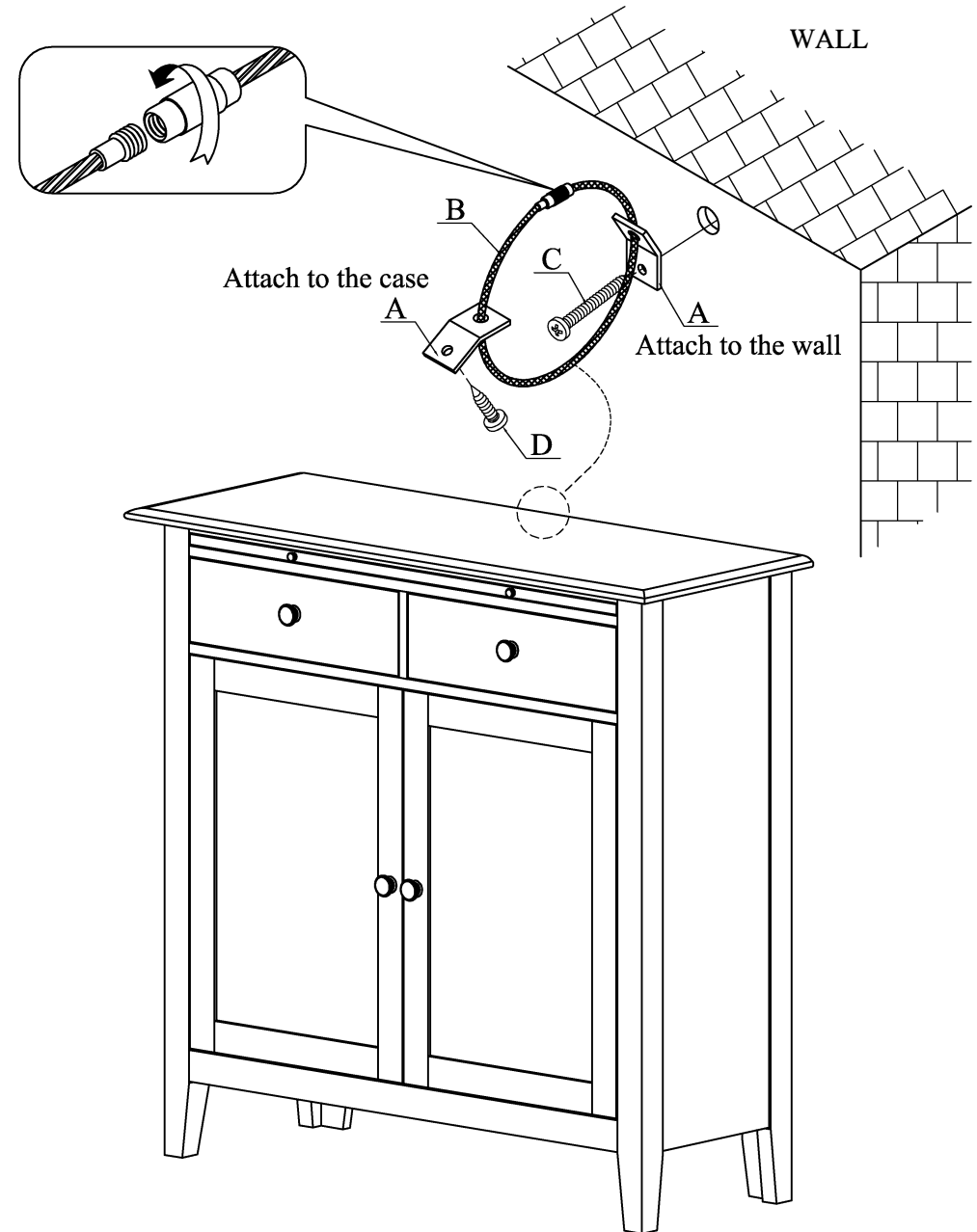
HARDWARE LIST		
CODE	DESCRIPTION	QTY
A	 Brackets	2
B	 Steel Cable	1
C	 Screw Ø8 *1-1/2"	1
D	 Screw Ø8*3/4"	1

IMPORTANT NOTES

- . Place all wooden parts on clean and smooth surface such as rug or carpet to prevent the parts from being scratched.
- . Check to be sure that you have all parts and hardware.
- . Remove all wrapping materials, including staples and packing straps before you start to assemble.
- . Do not tighten all screws and bolts until completely assembled.
- . Keep all hardware out of the reach of children

Instruction:

1. Determine where the furniture is to be placed and find the center line of a stud using a stud finder.
2. Drill a 1/8" pilot hole on the stud approximately 3" below the height of unit top.
3. Attach on bracket (A) securely with screw (C) into the pilot hole in the wall.
4. Position the furniture in place and attach the other bracket (A) with screw (D) to the back edge of unit top in line with the bracket (A) in the wall. NOTE: If the unit has metal back/top follow option 2, using existing hardware on unit as indicated in main assembly instructions, Screw (D) will not be used for this option.
5. Put the male end of the steel cable (B) through each bracket, Securely connect both ends together by turning the female connector clockwise.



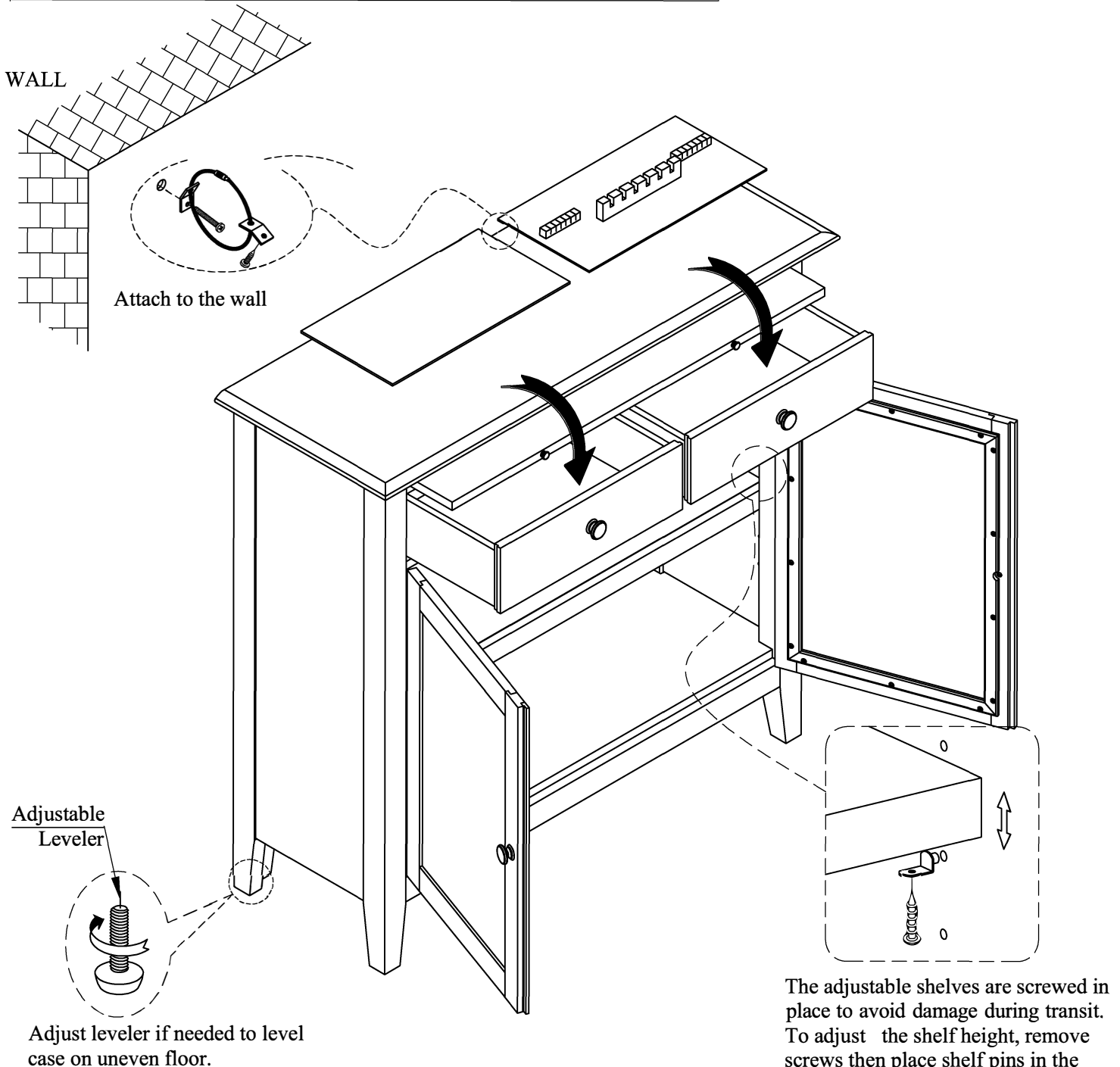
MADE IN VIETNAM

ASSEMBLY INSTRUCTION

317-857L/M Server

IMPORTANT NOTES

- . Place all wooden parts on clean and smooth surface such as rug or carpet to prevent the parts from being scratched.
- . Check to be sure that you have all parts and hardware.
- . Remove all wrapping materials, including staples and packing straps before you start to assemble.
- . Do not tighten all screws and bolts until completely assembled.
- . Keep all hardware out of the reach of children



MADE IN VIETNAM