

STANLEY FURNITURE

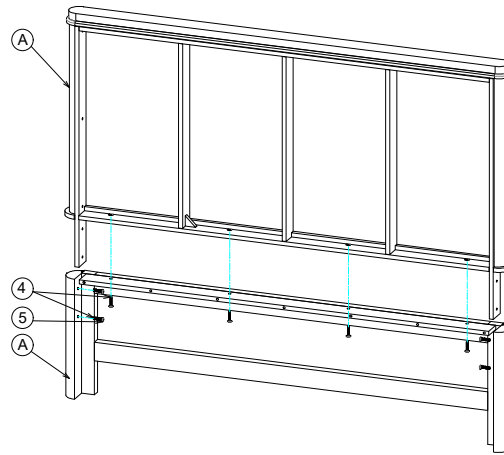
ASSEMBLY INSTRUCTIONS

Item# 901-T2-001A,B-HB UPHOLSTERED BED KING (HEADBOARD)

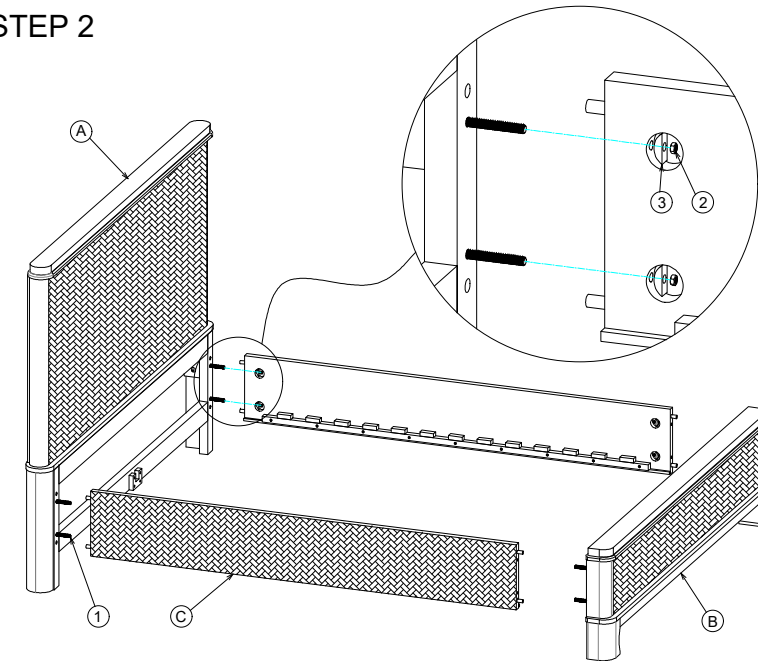
Item# 901-T2-001A,B-FB UPHOLSTERED BED KING (FOOTBOARD & SIDERAILS)

No.	PARTS NAME	Q.ty (pcs)
(A)		1
(B)		1
(C)		2
(D)		14
(E)		1
No.	LIST OF HARDWARE	Q.ty (pcs)
(1)	Bolts M8x100	8
(2)	Nuts M8	8
(3)	Crescent washers M8	8
(4)	Bolts M8x40	8
(5)	Washers M6	8
(6)	Wrench	1
(7)	Allen key 4	1
(8)	Screws M4x30	28

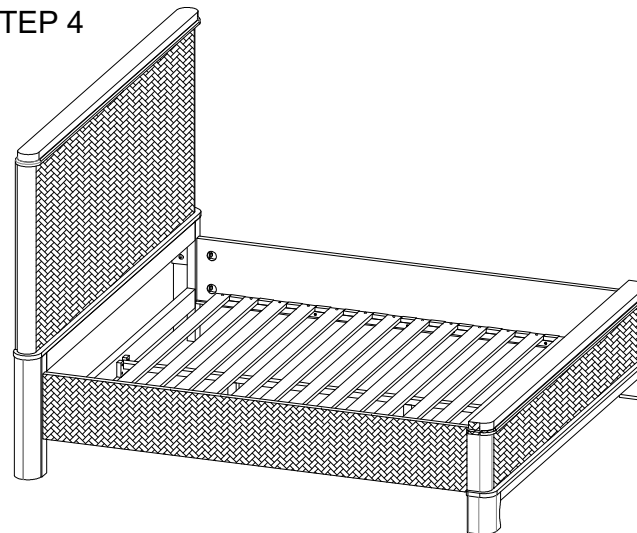
STEP 1



STEP 2



STEP 4



STEP 3

