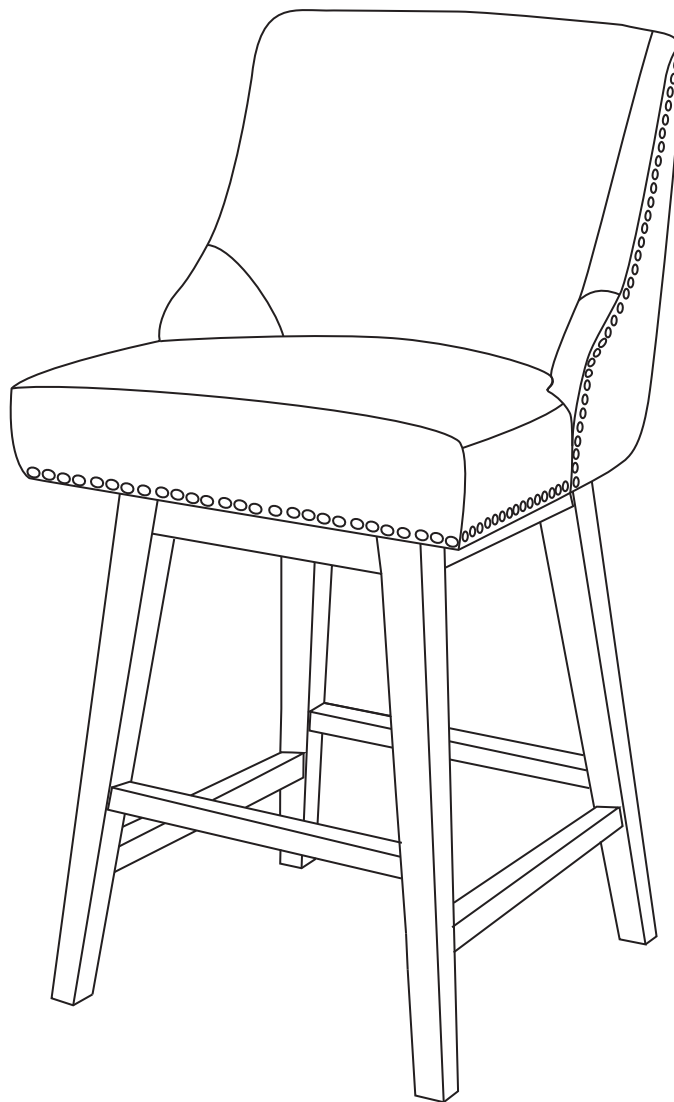


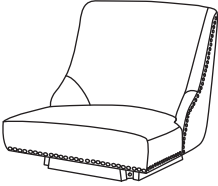
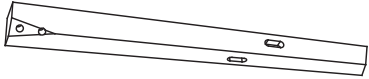
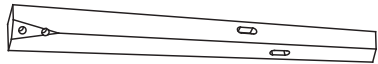
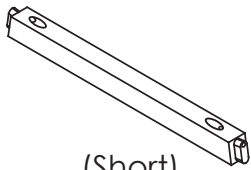
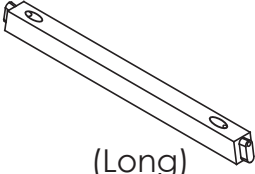


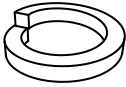



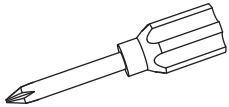
# Assembly Manual

## Swivel Bar & Counter Stool

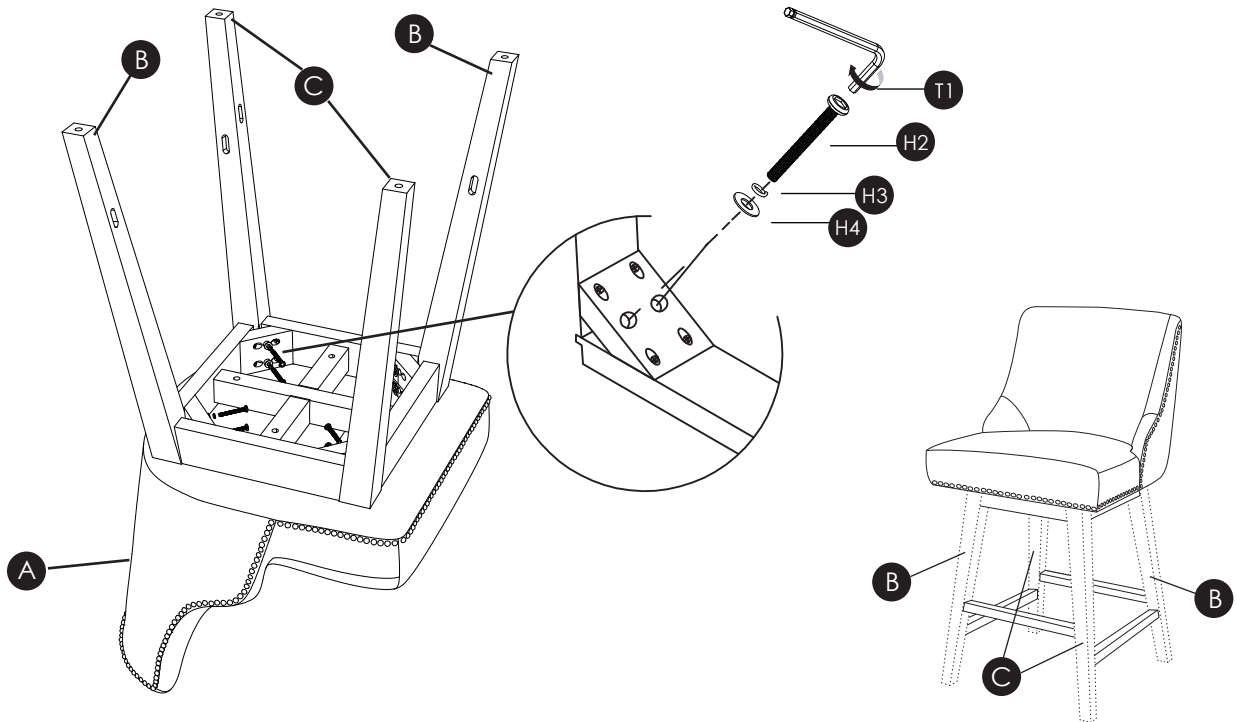


**▲ CAUTION**

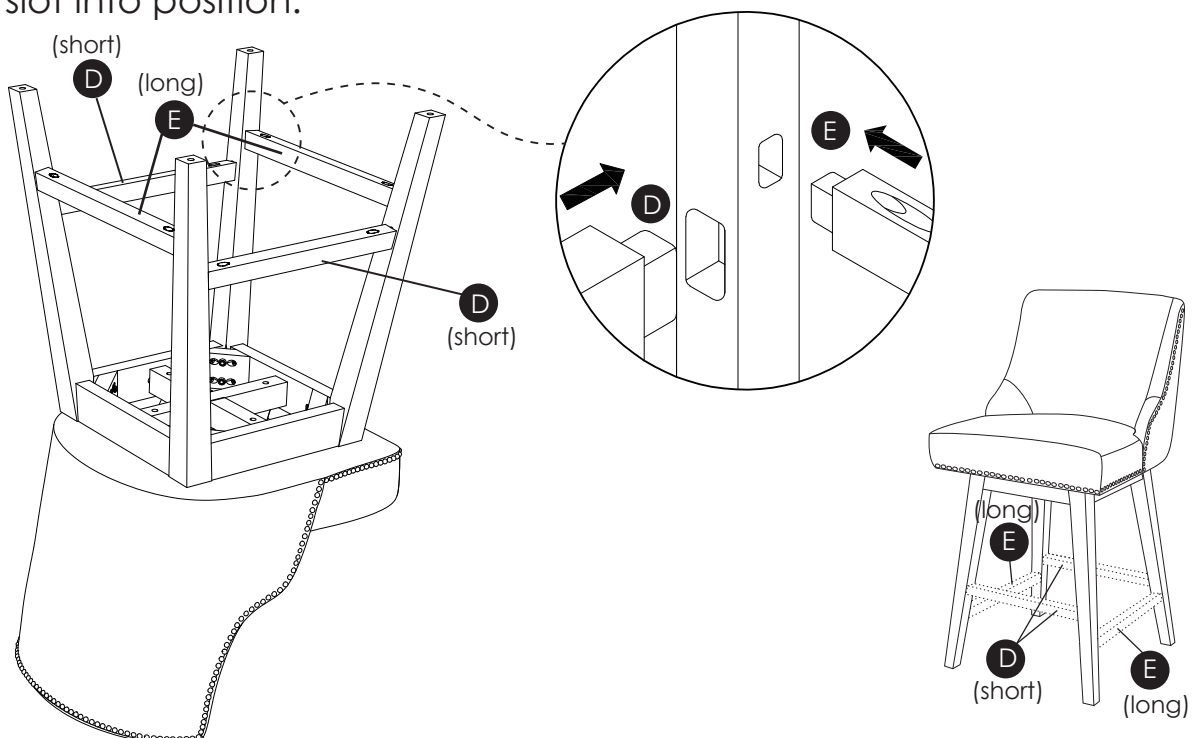
THIS ASSEMBLY MANUAL CONTAINS IMPORTANT SAFETY INFORMATION.  
PLEASE READ AND KEEP FOR FUTURE REFERENCE.

<p>A X 1</p> 	<p>B X 2</p> 	<p>C X 2</p> 
<p>D X 2</p>  <p>(Short)</p>	<p>E x 2</p>  <p>(Long)</p>	<p>H1 x 8</p>  <p>Screw (M5x50mm)</p>
<p>H2 x 8</p>  <p>Bolt (M8x60mm)</p>	<p>H3 x 8</p>  <p>Spring Washer (M8)</p>	<p>H4 x 8</p>  <p>Flat Washer (φ8)</p>
<p>H5 x 4</p>  <p>Foot Leveler (M6xH30mm)</p>	<p>T1 x 1</p>  <p>Allen Wrench (5#)</p>	 <p>Not Included</p>

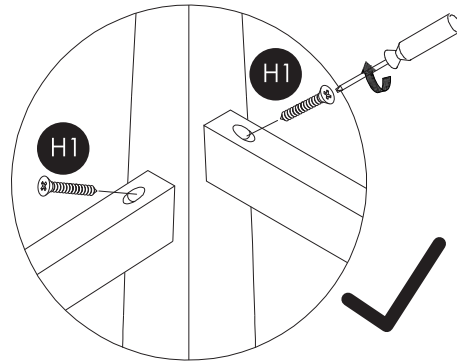
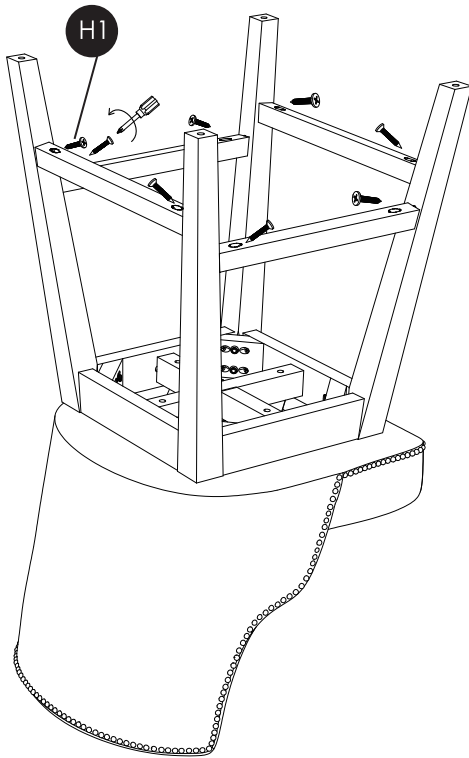
- 1** Attach Legs (B & C) to Seat (A), using bolts (H2), lock washers (H3), flat washers (H4), and allen wrench (T1).  
**Note: Do not fully tighten yet.**



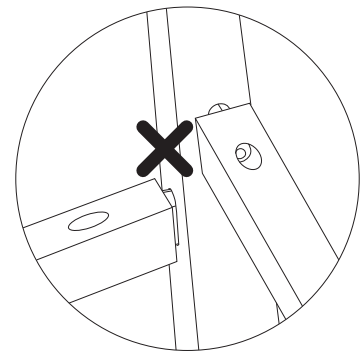
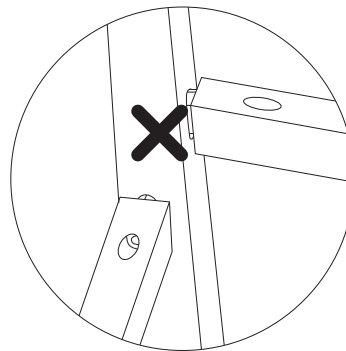
- 2** Insert **short** side rails (D) and **long** side rails (E).  
**Note: You may need to apply a little pressure to enable the rails to slot into position.**



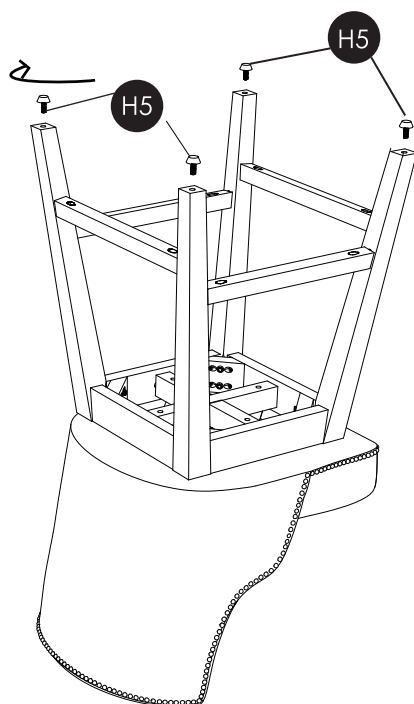
- 3** Attach the rails using screws (H1). **Do NOT start the screws if the rails are not fully slotted into position.**  
**Note: Do not fully tighten yet.**



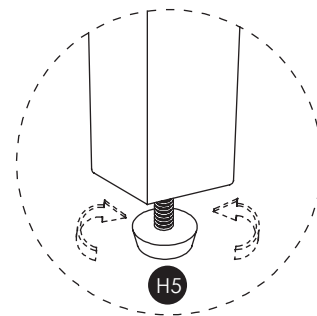
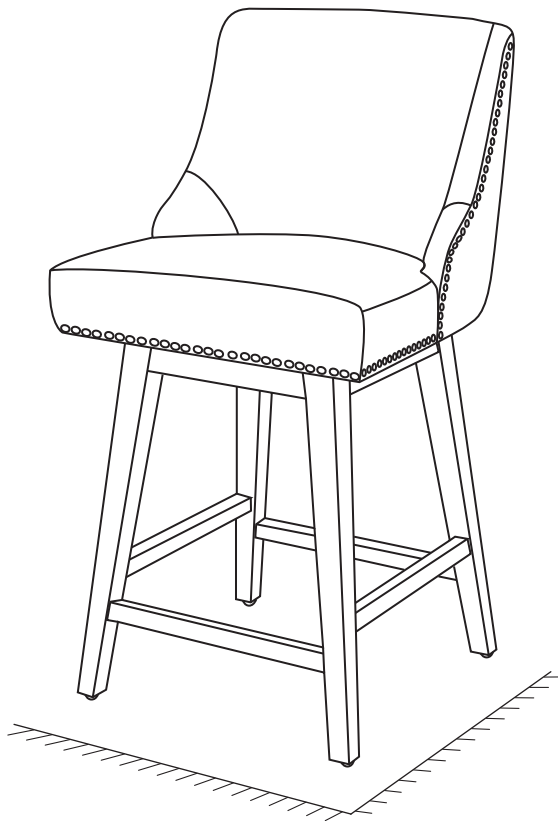
**Note: Do NOT start the screws if the rails are not fully slotted into position.**



- 4** Attach foot levelers (H5) to Legs (B & C).

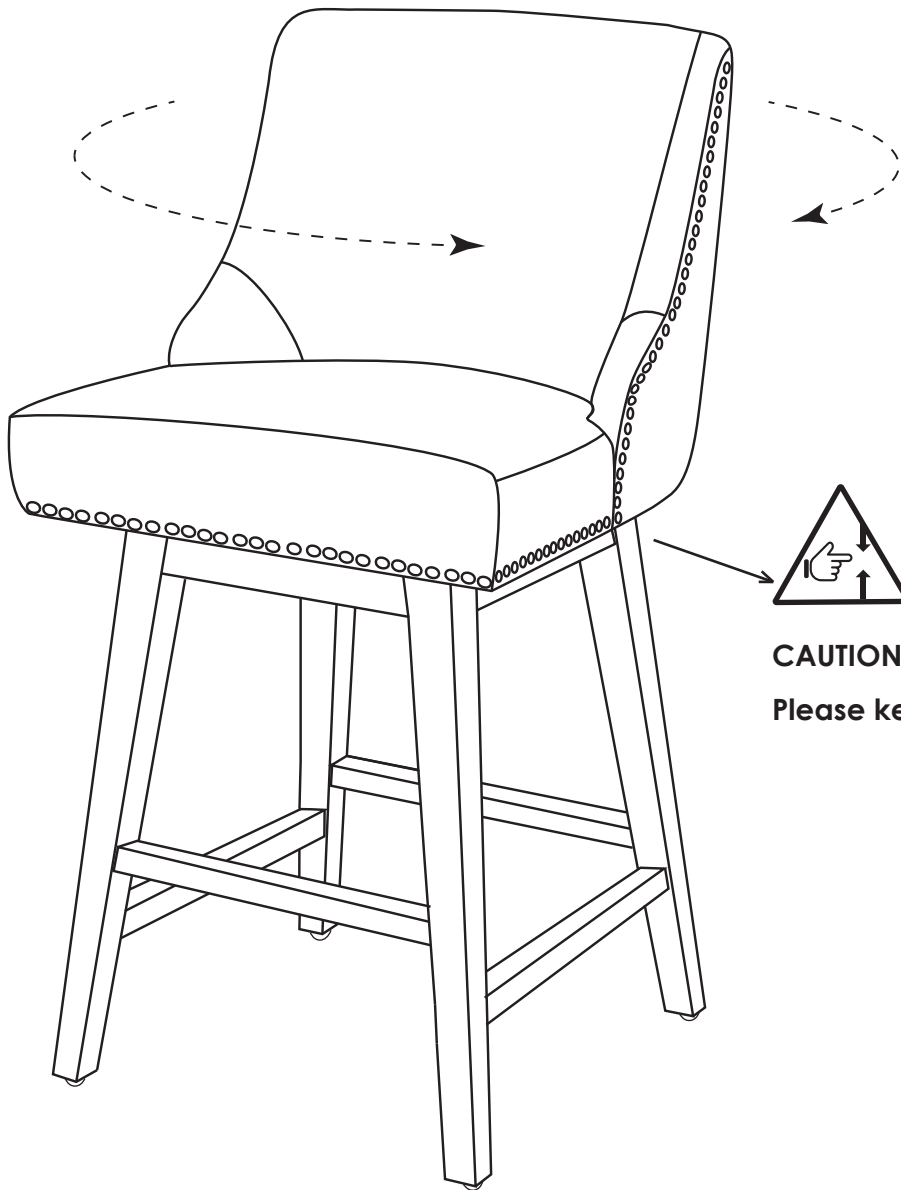


- 5** Turn assembled chair upright and place on a flat surface. Push legs up or down as necessary to level. **Once level, tighten all bolts and screws.**  
**Note:** Each leg has an adjustable foot leveler to help level your chair.



Foot levelers

**6** Assembly complete. Enjoy.



**CAUTION: PINCH POINT.**  
Please keep hands clear during swivel.