



INSTALLATION SPECIFICATION

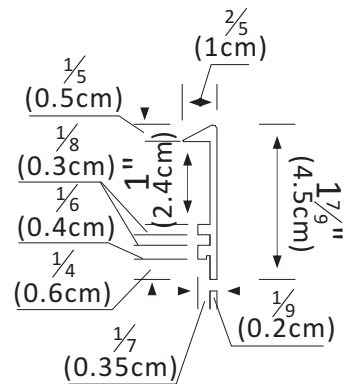
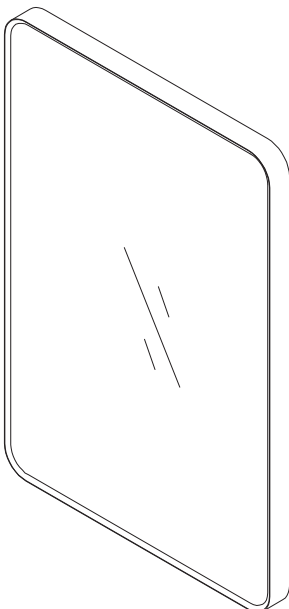
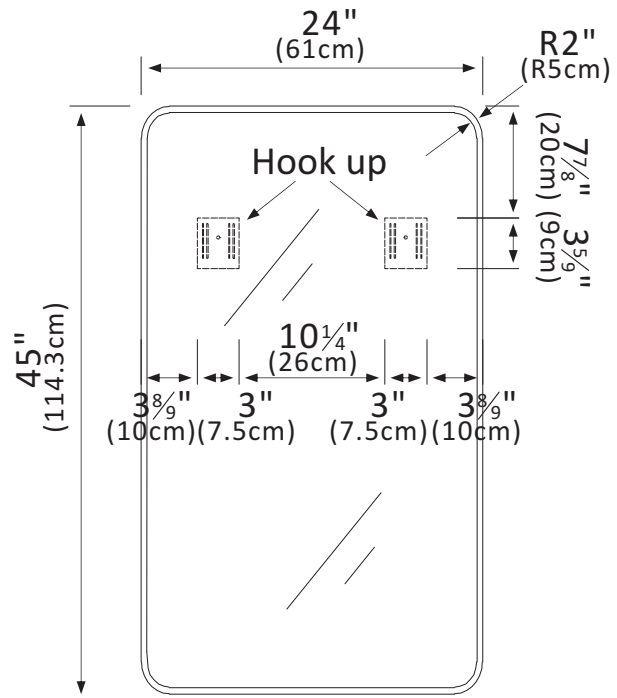
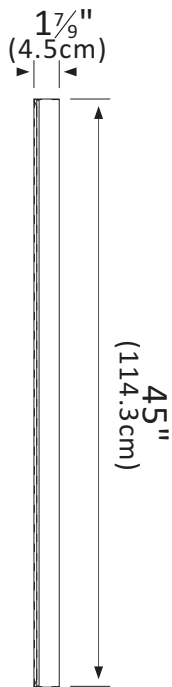
Model No.:	803225-MIR-BB
Finish:	Brushed black
Mount type:	Wall-mounted
Orientation:	Vertical
Material:	Aluminum
Storage included:	No
Overall size:	24.0"W x 1.8"D x 45.0"H
Net weight:	21.2 lbs
Lens Thickness:	5mm

Mutriku

25"

Bathroom Mirror

All measurements are approximate. Measurements may vary +/- 1/2



Aluminum section