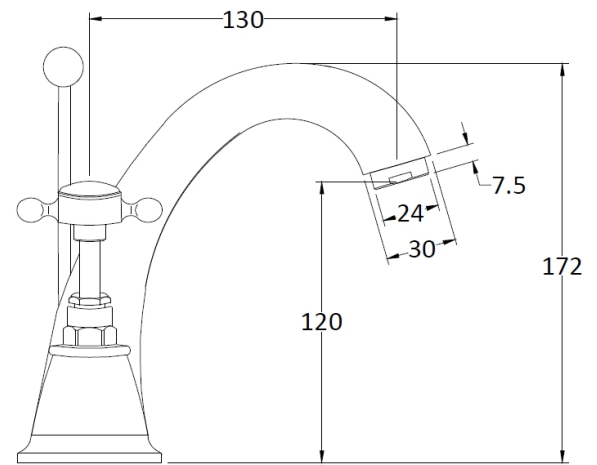
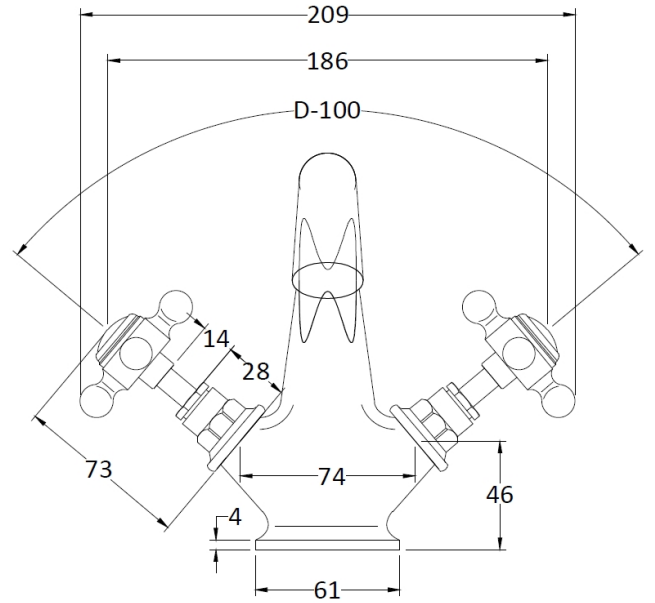


CUSTOMER DATA SHEET - BRASSWARE

SALES CODE: BC305HX

DESCRIPTION: Topaz Mono Basin Mixer



PRODUCT DIMENSIONS

Height (mm)	Width (mm)	Depth (mm)	Length (mm)	Nett Wgt Kg
172	215	185		2.2

PACKAGING DIMENSIONS

Height (mm)	Width (mm)	Depth (mm)	Gross Wgt Kg
125	220	390	2.4

PACKAGING DATA

Box Colour	White Cardboard Box		
Box Qty	1	Label Colour	White Label
Label Size	100 x 50	Label Qty	1

OUTER BOX DIMENSIONS (If Applicable)

Height (mm)	Width (mm)	Depth (mm)	Length (mm)	Gross Wgt Kg
395	415	440		
Barcode	5055275830697			

PRODUCT DETAILS

Country of Origin	United Kingdom		
Fitting Instruction	Yes		
Product Material	Brass		
Control Type	Manual		
Waste Included	Waste Included		
WRAS Approval	No	Approval No.	N/A
Operating Pressure (bar)	0.1		
Valve/Cartridge Type	1/4 Turn Ceramic Disc		

Colour/Finish	Chrome			
Mount Type	Deck			
Waste Type	Pop-Up			
Flow Rates (L/min)	0.1	6.4	0.5	1 23.4 2 33.5 3 41
Pipe Size	15 mm (1/2" Bsp)			
Pipe Centres	N/A			