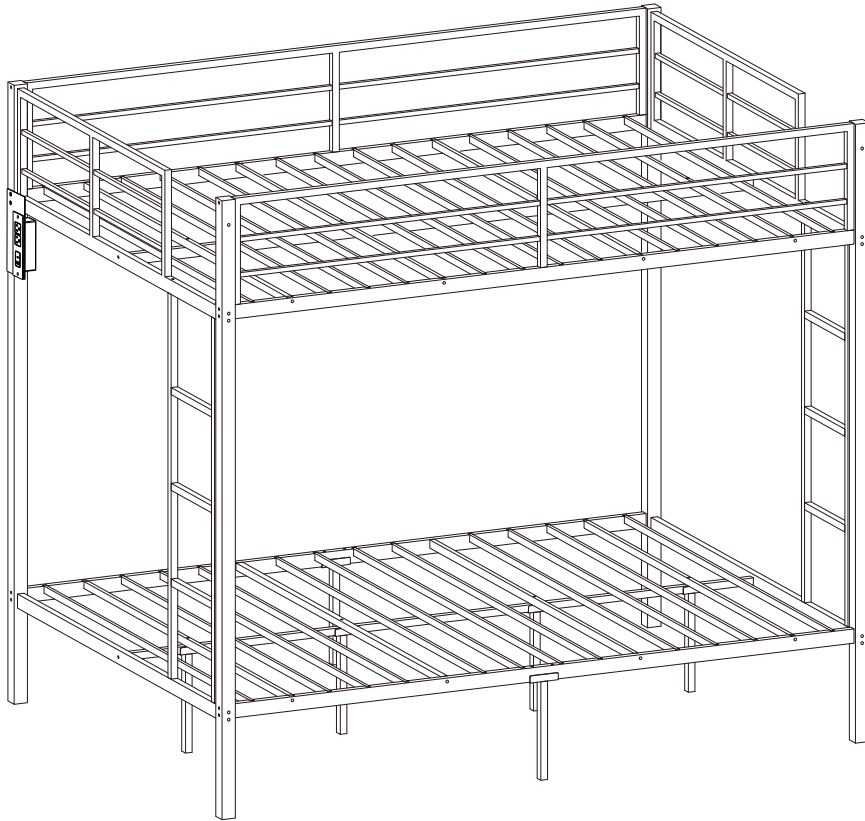


# ASSEMBLY INSTRUCTION

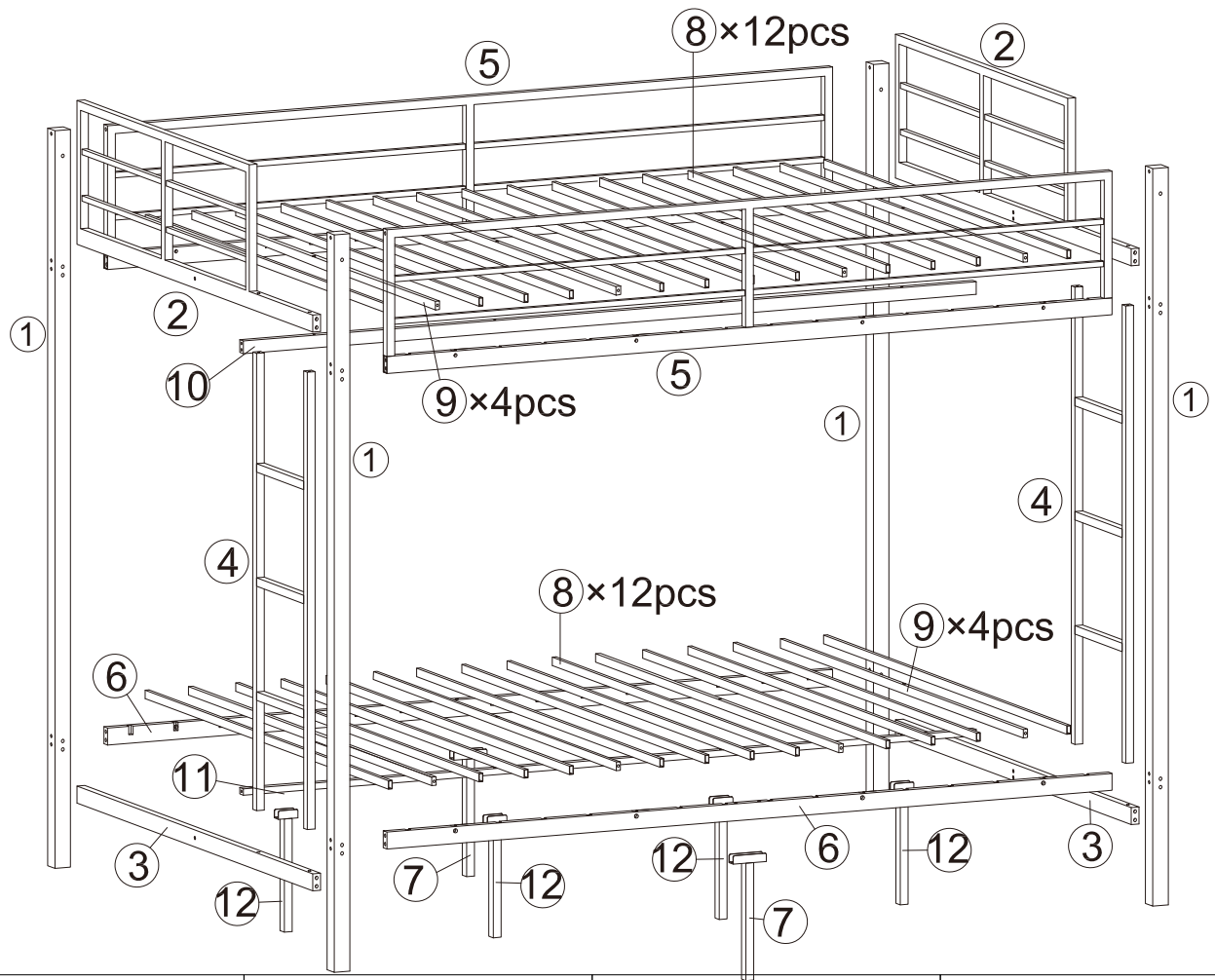



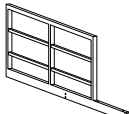
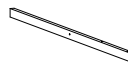

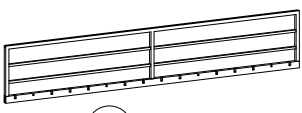

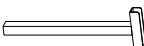




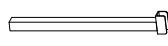
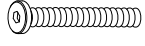
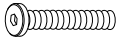









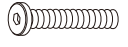
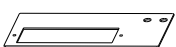
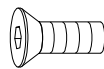
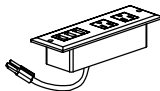

1:Please take a moment to read through the entire instruction booklet before assembly this product.

2:Once you feel ready to start, follow the instructions step by step, please not to skip any step.

3:Please not to fully tight screws before finish assembly.

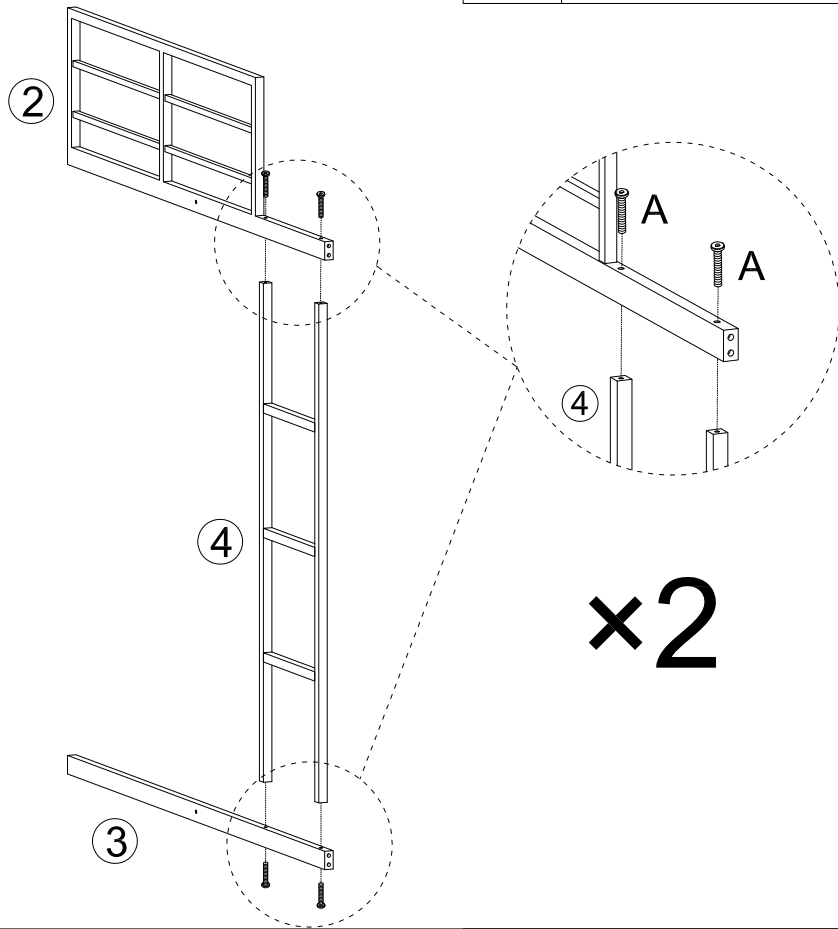
Thank you and enjoy your time !



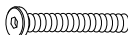
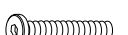

 ① × 4 pcs	 ② × 2 pcs	 ③ × 2 pcs	 ④ × 2 pcs	
 ⑤ × 2 pcs	 ⑥ × 2 pcs	 ⑦ × 2 pcs	 ⑧ × 24 pcs	
 ⑨ × 8 pcs	 ⑩ × 1 pc	 ⑪ × 1 pc	 ⑫ × 4 pcs	 M8×60mm A × 44 pcs + 4 pcs
 M8×55mm B × 6 pcs + 1 pc	 M6×25mm C × 16 pcs + 2 pcs	 D × 54 pcs + 5 pcs	 M6×40mm E × 8 pcs + 1 pc	 M6 F × 2 pcs
 M8 G × 2 pcs	 H × 2 pcs	 I × 2 pcs	 J × 2 pcs	 K × 2 pcs
 M6×55mm L × 4 pcs + 1 pc	 M × 1 pc	 N × 2 pcs + 1 pc	 O × 1 pc	 P × 1 pc

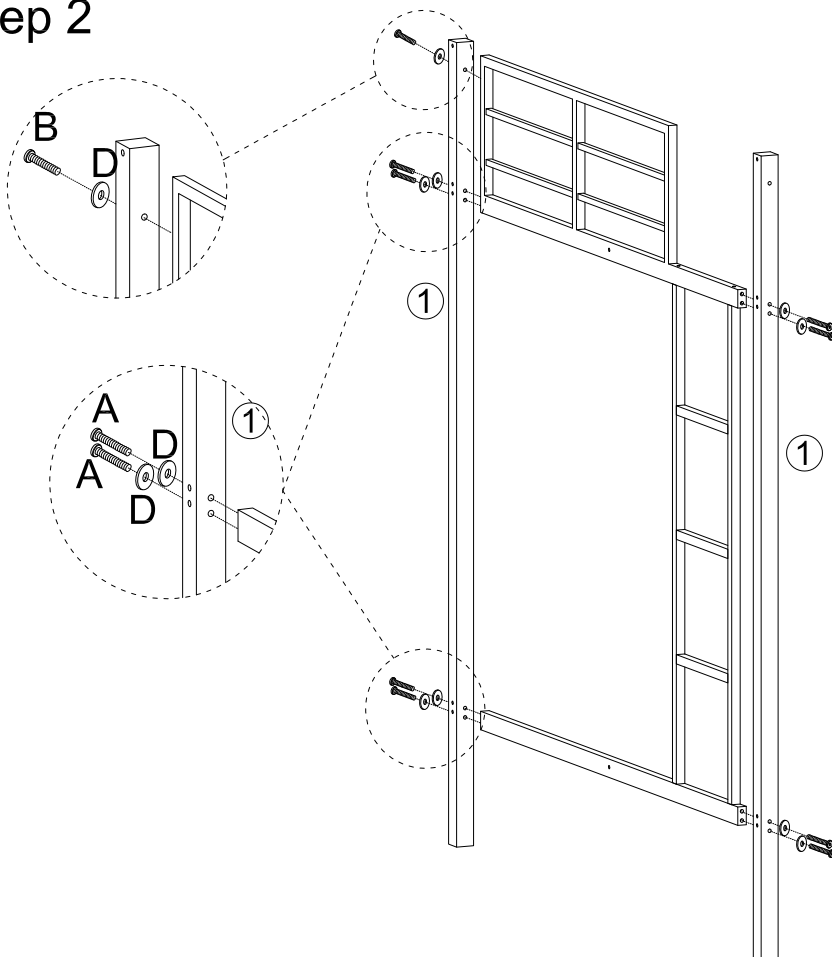
# Step 1

A	 M8×60	8
---	---	---

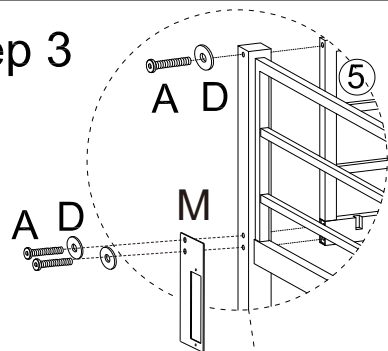


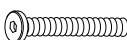

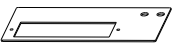
# Step 2

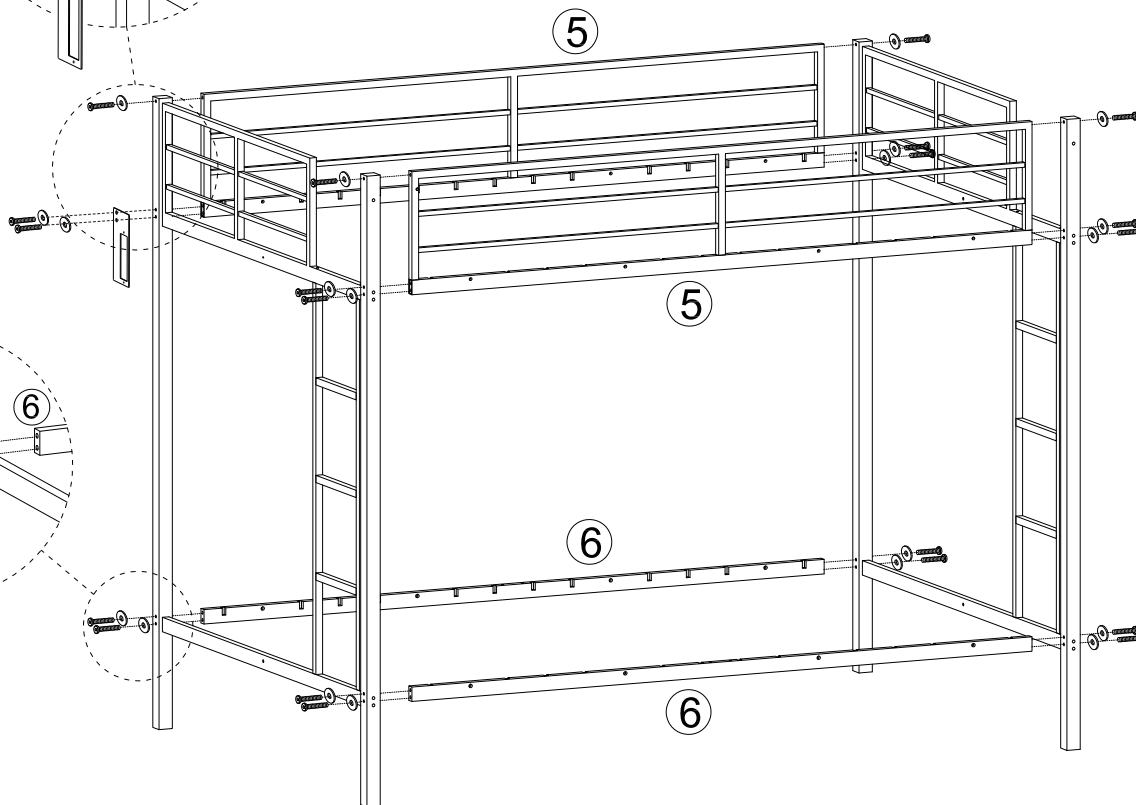
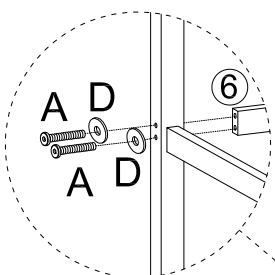
A	 M8×60	16
B	 M8×55	2
D		18



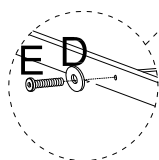
### Step 3





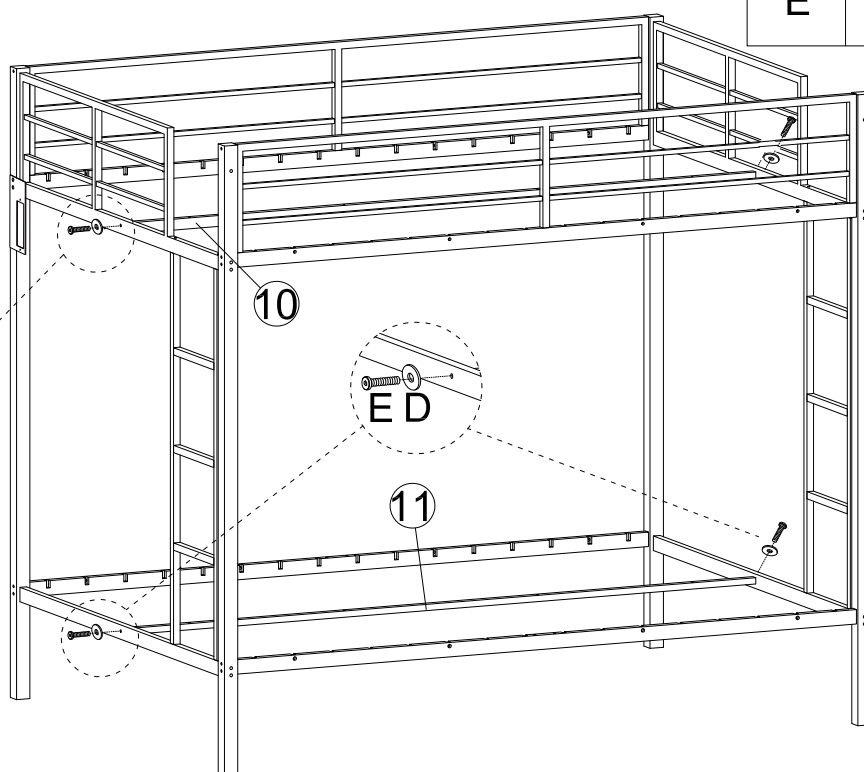
A	 M8×60	20
D		20
M		1



### Step 4



D		4
E	 M6×40	4



# Step 5

D



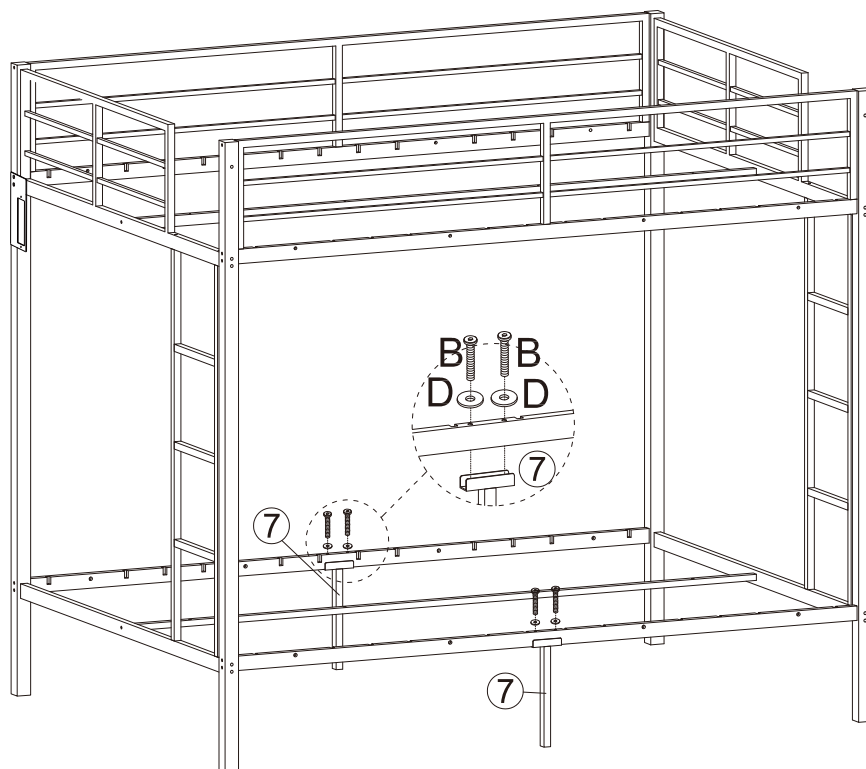
4

B



M8×55

4



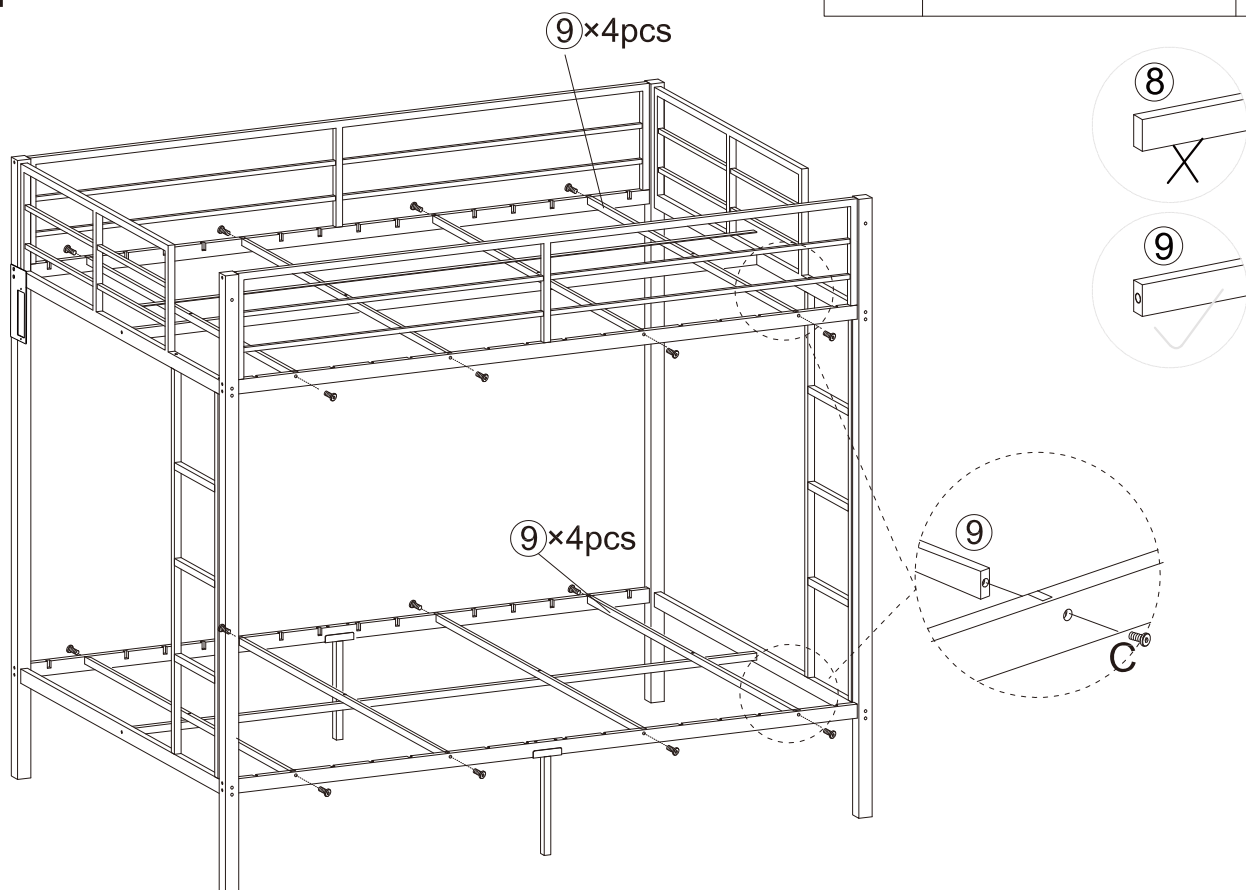
# Step 6

C






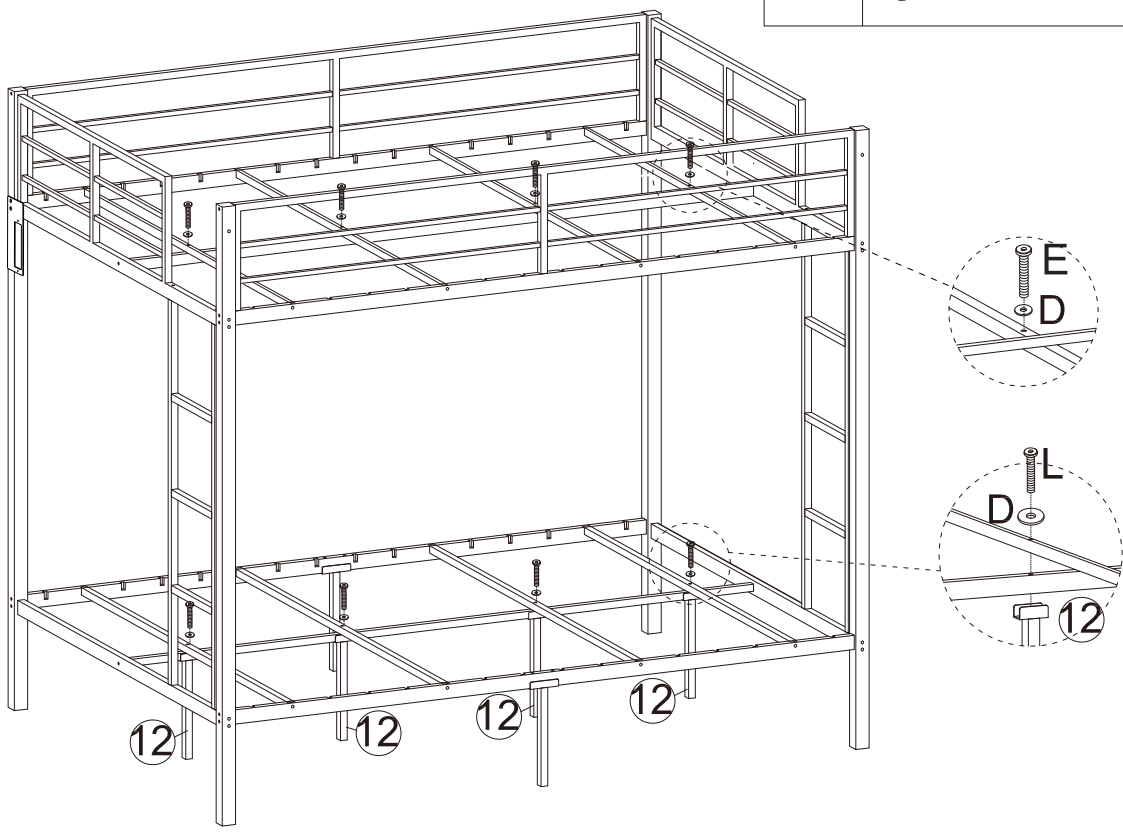
M6×25

16



# Step 7

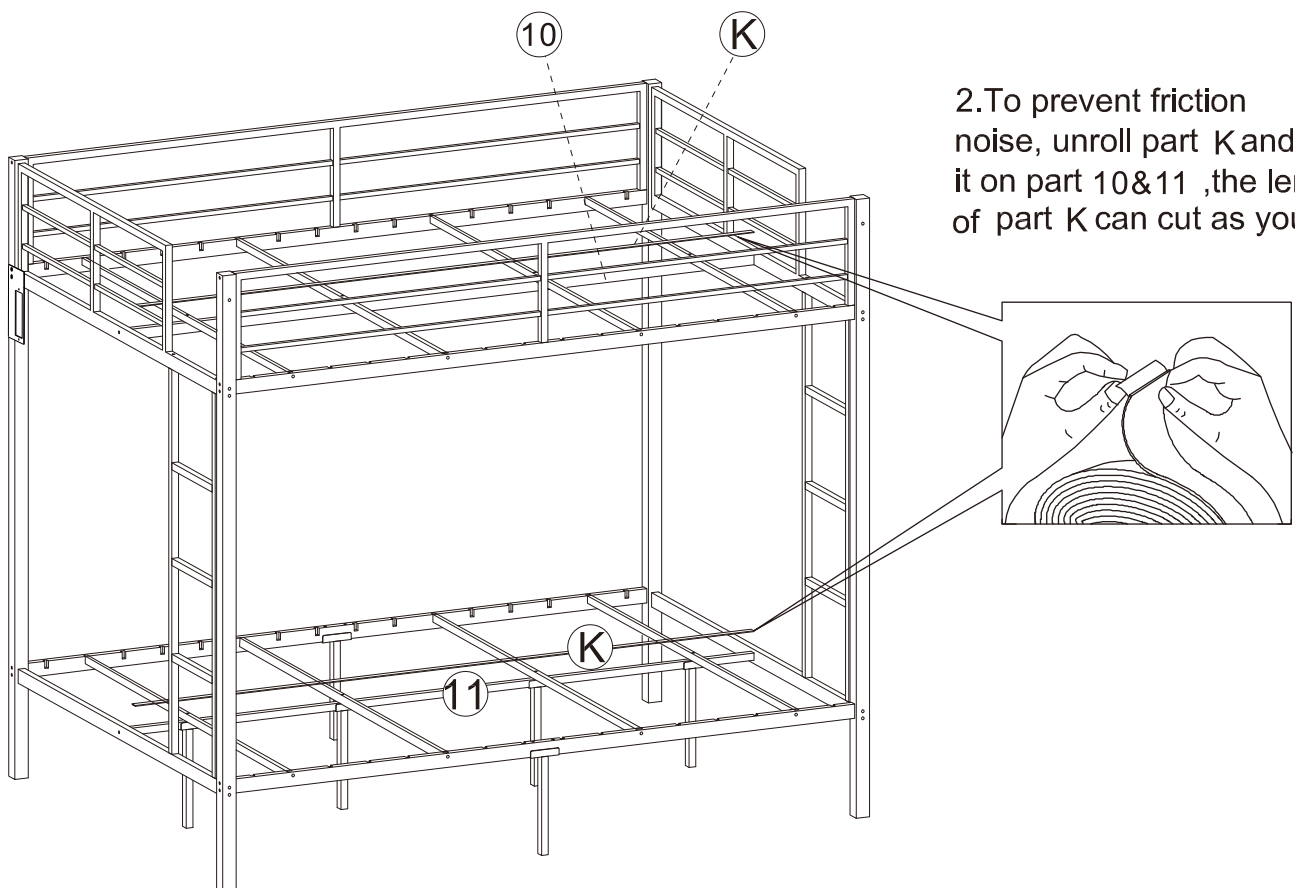
D		8	L		M6×55	4
E				M6×40		4



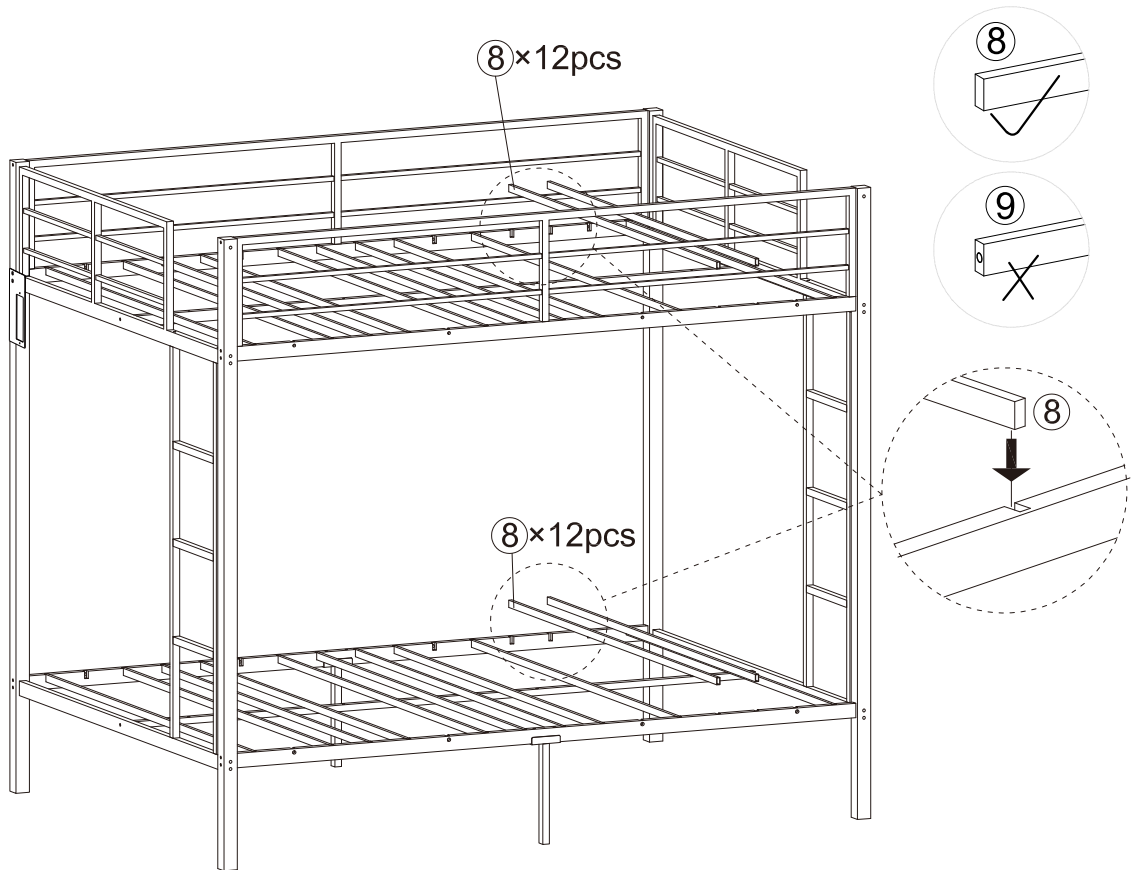
# Step 8

K		2
---	---	---

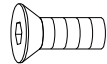
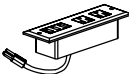

2.To prevent friction noise, unroll part K and fit it on part 10&11 ,the lenght of part K can cut as you will.

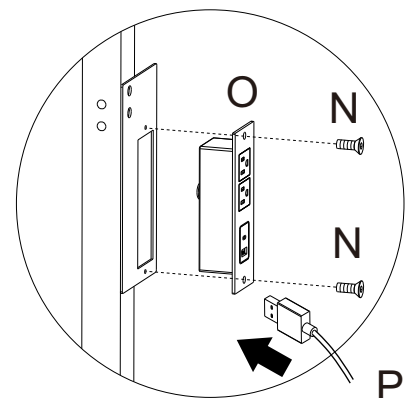
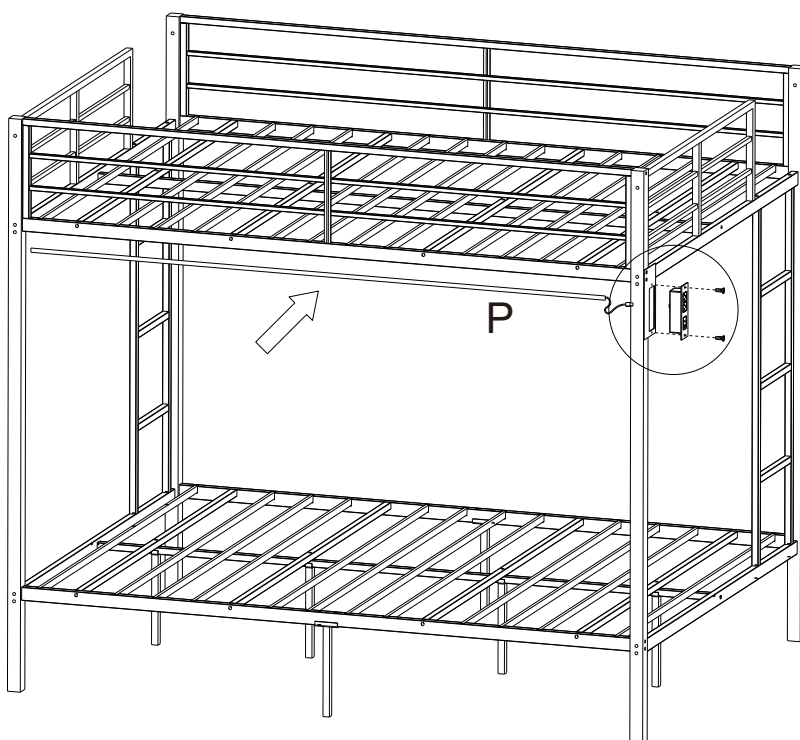


# Step 9


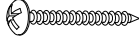



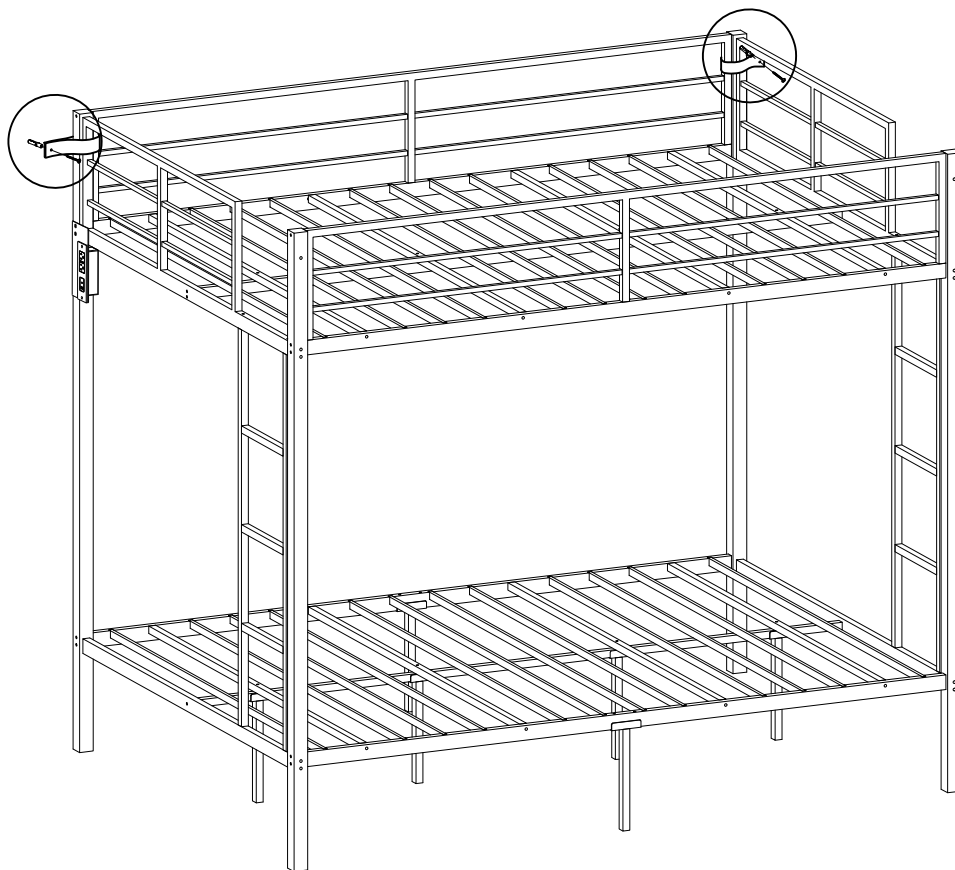
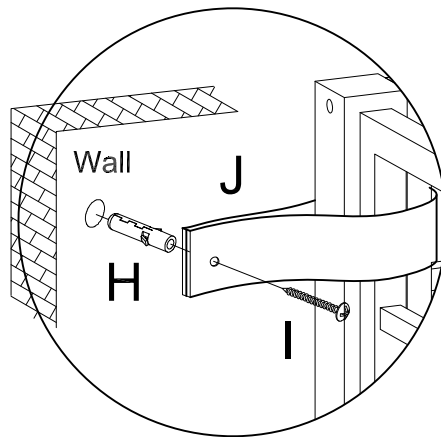
# Step 10

N		2
O		1
		1






# Step 11

H		2	I		2
			J		2



# Safety Warnings

1. Follow the information on the warnings appearing on the upper bunk end structure and on the carton. Do not remove warning label from bed.
2. Always use the recommended size mattresses or mattress supports, or both, to help prevent the likelihood of entrapment or falls.
3. Surface of mattress must be at least 5 in. (127 mm) below the upper edge of guardrails.
4. Do not allow children under 6 years of age to use the upper bunk.
5. Periodically check and ensure that the guardrail, ladder, and other components are in their proper position, free from damage, and that all connectors are tight.
6. Do not allow horseplay on or under the bed and prohibit jumping on the bed.
7. Always use the ladder for entering and leaving the upper bunk.
8. Do not use substitute parts. Contact the manufacturer or dealer for replacement parts.
9. Use of a night light may provide added safety precaution for a child using the upper bunk.
10. Always use guardrails on both long sides of the upper bunk. If the bunk bed will be placed next to the wall, the guardrail that runs the full length of the bed should be placed against the wall to prevent entrapment between the bed and wall.
11. The use of water or sleep flotation mattresses is prohibited.
12. **STRANGULATION HAZARD** - Never attach or hang items to any part of the bunk bed that are not designed for use with the bed; for example, but not limited to, hooks, belts and jump ropes.
13. Keep these instructions for future reference.

 <b>WARNING</b>	
<ul style="list-style-type: none"><li>• <b>INGESTION HAZARD:</b> This product contains a button cell or coin battery.</li><li>• <b>DEATH</b> or serious injury can occur if ingested.</li><li>• A swallowed button cell or coin battery can cause <b>Internal Chemical Burns</b> in as little as <b>2 hours</b>.</li><li>• <b>KEEP</b> new and used batteries <b>OUT OF REACH of CHILDREN</b></li><li>• <b>Seek immediate medical attention</b> if a battery is suspected to be swallowed or inserted inside any part of the body.</li></ul>	
 <b>WARNING</b>	
<ul style="list-style-type: none"><li>• <b>INGESTION HAZARD:</b> This product contains a button cell or coin battery.</li><li>• <b>DEATH</b> or serious injury can occur if ingested.</li><li>• A swallowed button cell or coin battery can cause <b>Internal Chemical Burns</b> in as little as <b>2 hours</b>.</li><li>• <b>KEEP</b> new and used batteries <b>OUT OF REACH OF CHILDREN</b></li><li>• <b>Seek immediate medical attention</b> if a battery is suspected to be swallowed or inserted inside any part of the body.</li></ul>	