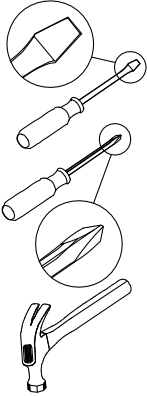


Before You Start



- ✓ Read through each step carefully and follow the proper order
- ✓ Separate and count all your parts and hardware
- ✓ Give yourself enough room for the assembly process
- ✓ Have the following tools: Flat Head Screwdriver, #2 Phillips Head Screwdriver and Hammer
- ✓ Caution: If using a power drill or power screwdriver for screwing, Please slow down or stop when the screw is tightened. Otherwise it may cause the screws to peel off.

Helpful Hints

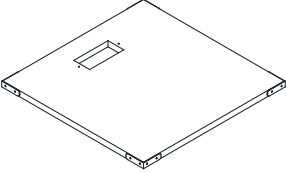
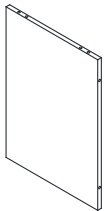
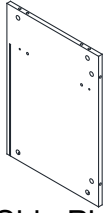
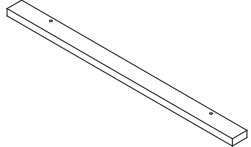
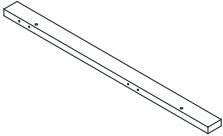
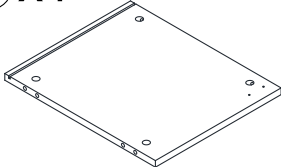
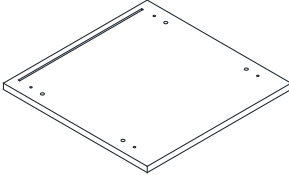
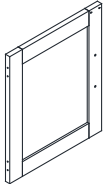
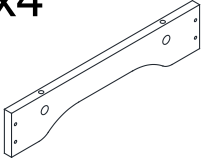
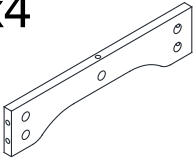
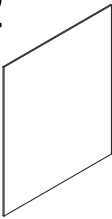
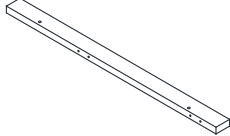
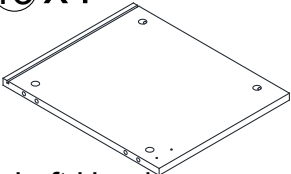
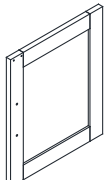
PEOPLE NEEDED FOR ASSEMBLY: 1-2

- Open your item in the area you plan to keep it to avoid excessive heavy lifting.
- Identify, sort and count the parts before attempting to assembly.
- Compression dowels are lightly tapped in with a hammer.
- Slides are labeled with an **R** (right) and **L** (left) for proper placement.
- Make sure to always face the point on the top of the Cam Lock towards the outer edge.
- Use all the nails provided for the back panel and spread them out equally.
- Back panel must be used to make sure your unit is sturdy.
- Do NOT use harsh chemicals or abrasive cleaners on this item.
- Never push, pull, or drag your furniture.

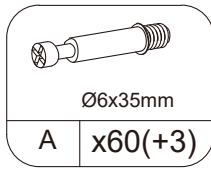


Board Identification

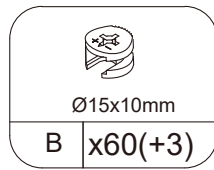
Not actual size

<p>① x2</p>  <p>Roof Plate</p>	<p>② x2</p>  <p>Left Side Plate</p>	<p>③ x2</p>  <p>Right Side Plate</p>	<p>④ x2</p>  <p>Front Vertical Bar Of Side Panel</p>
<p>⑤ x1</p>  <p>Front Vertical Bar Of Right Side Panel Connected To Door</p>	<p>⑥ x1</p>  <p>Right Hand Upper Fixing Plate</p>	<p>⑦ x2</p>  <p>Bottom Plate</p>	<p>⑧ x1</p>  <p>Right Hand Door Frame</p>
<p>⑨ x4</p>  <p>Front And Rear Cross Bars Under Base Plate</p>	<p>⑩ x4</p>  <p>Left And Right Vertical Bars Under Bottom Plate</p>	<p>⑪ x2</p>  <p>Back Panel</p>	<p>⑫ x1</p>  <p>Front Vertical Bar Of Left Side Panel Connected To Door</p>
<p>⑬ x1</p>  <p>Left Hand Upper Fixing Plate</p>	<p>⑭ x1</p>  <p>Left Hand Door Frame</p>		

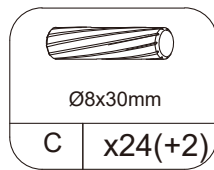
Part List



Cam Bolt



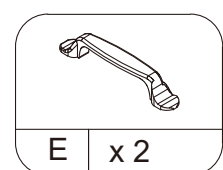
Cam Lock



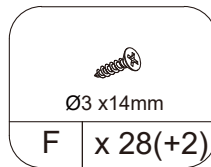
Dowel



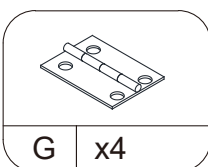
Handle Bolt



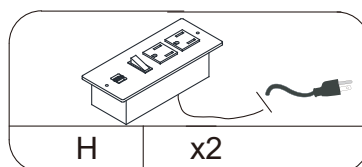
Hold Hands



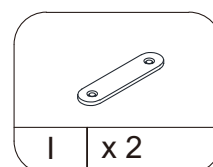
Screw



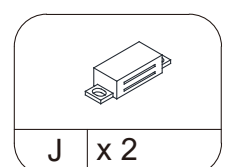
Hinge



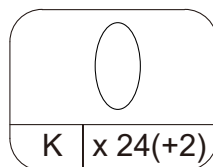
SOCKET



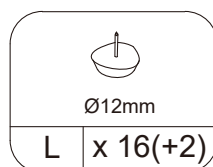
Door Stopper



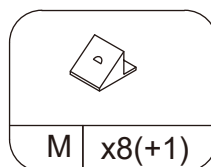
Door Stopper



Sticker



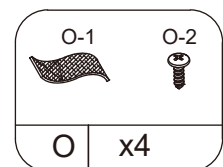
Foot Nail



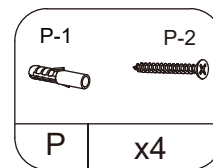
Back Buckle



Back Buckle Screw



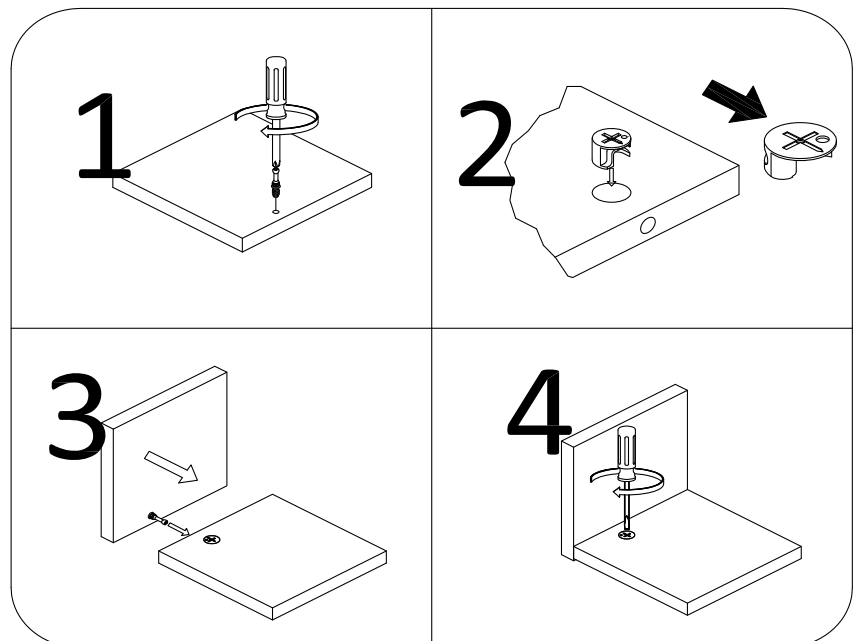
Anti-Fall Strip Large Flat Head Screw

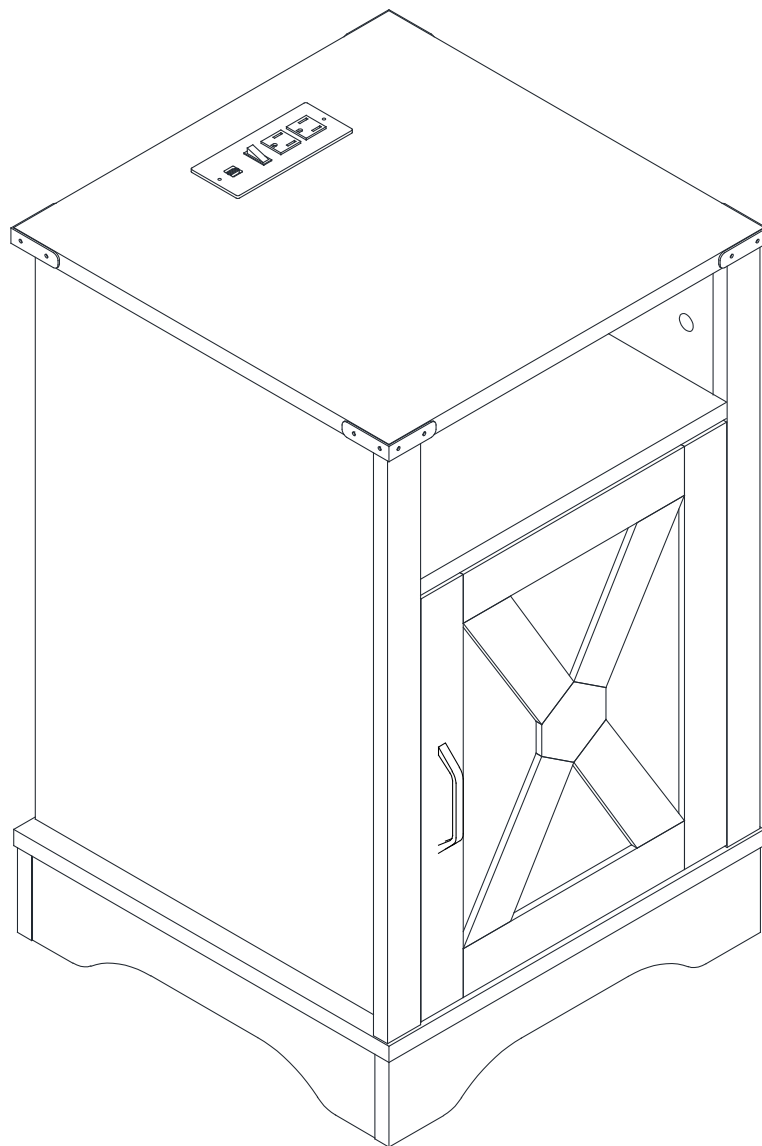


Plastic Expansion Self-Tapping Screw

Cam Lock Fastening System

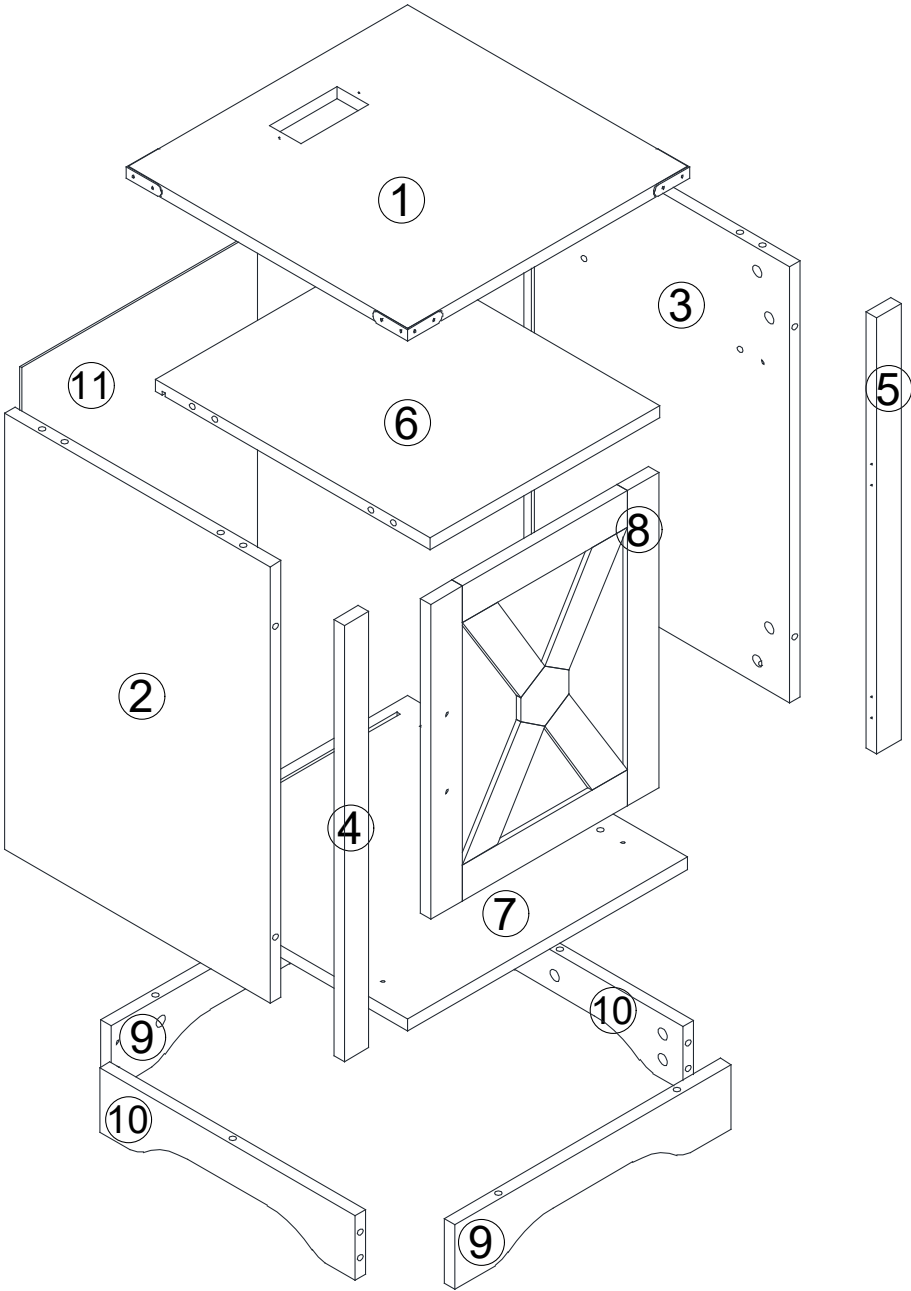
This Cam Lock Fastening System will be used throughout the assembly process.



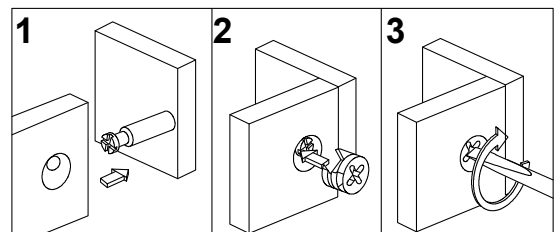
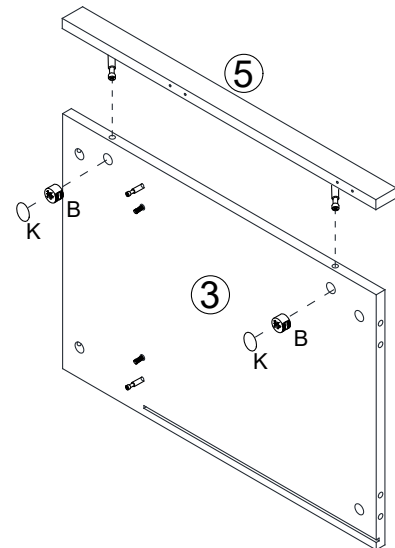
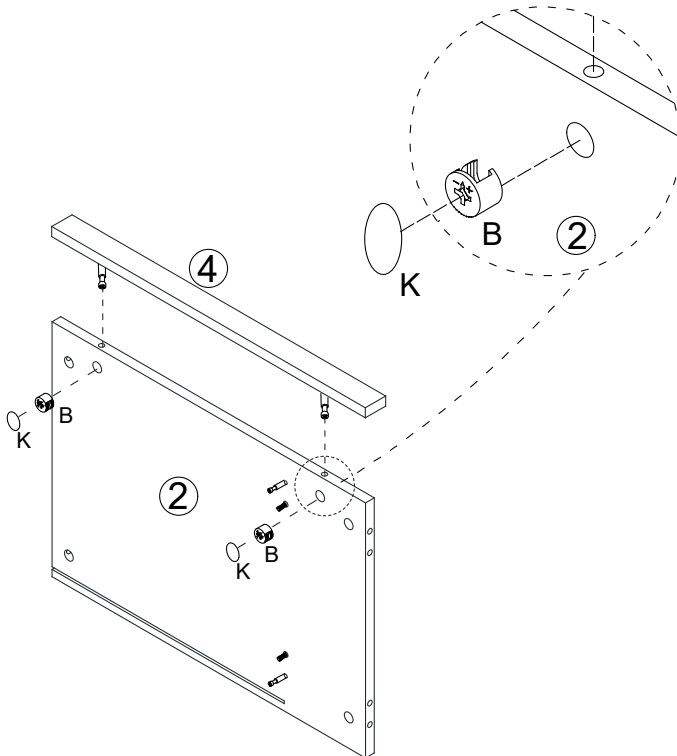
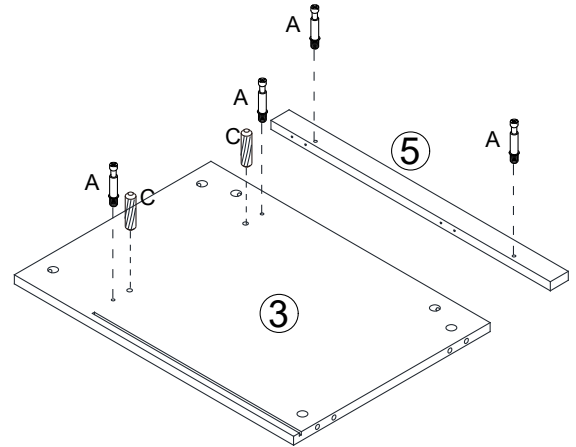
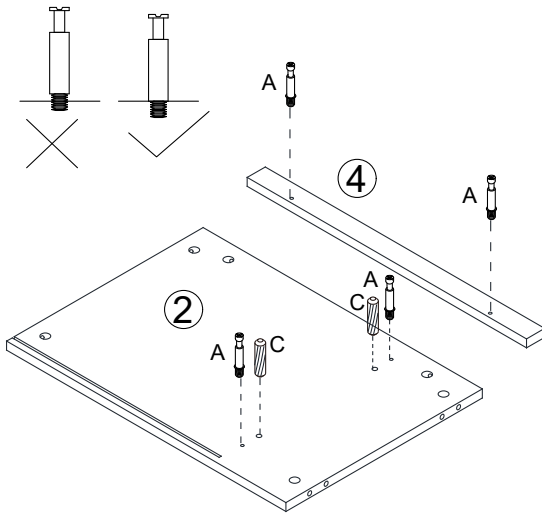
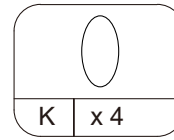
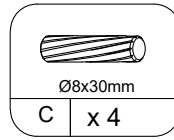
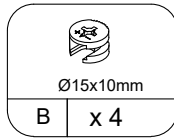
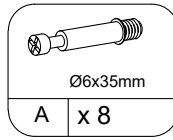
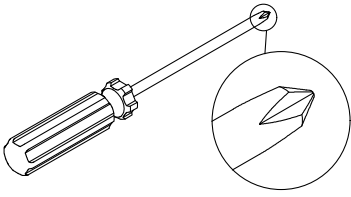


The door opens to the right

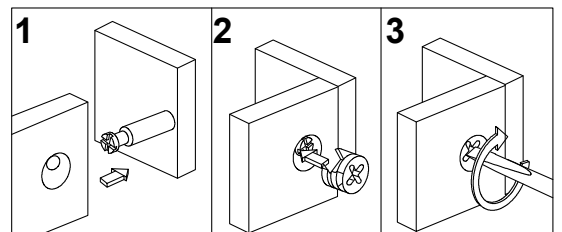
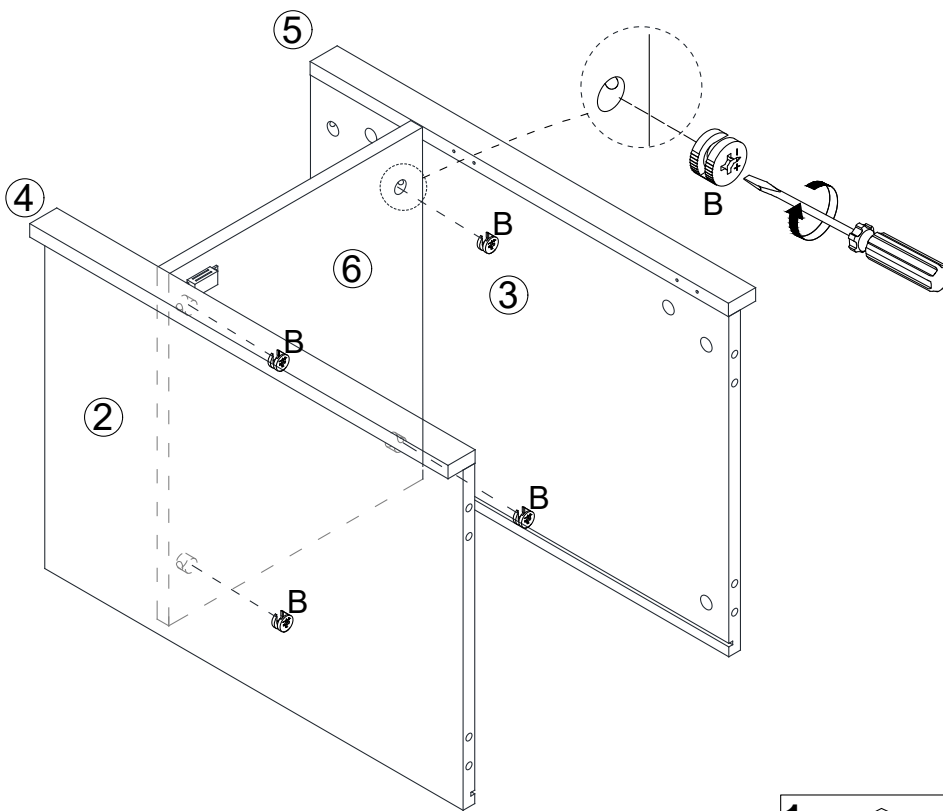
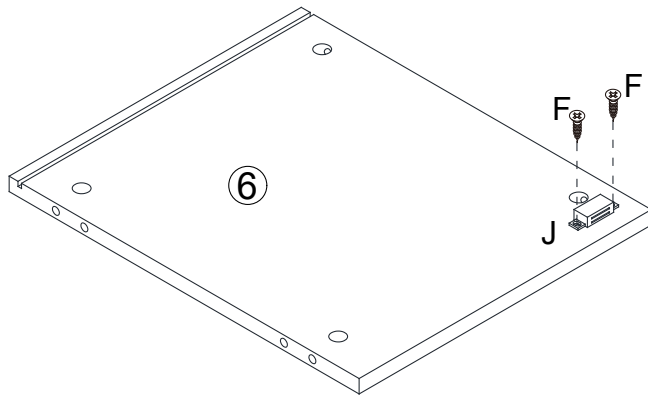
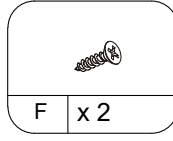
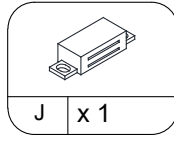
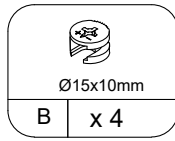
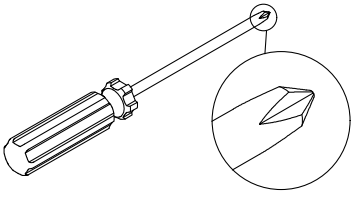
Board Identification



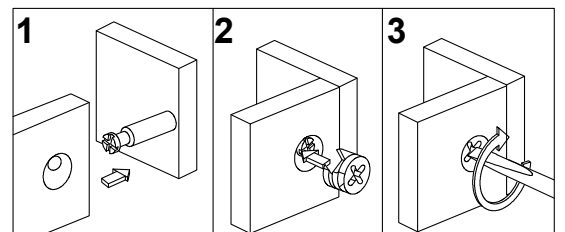
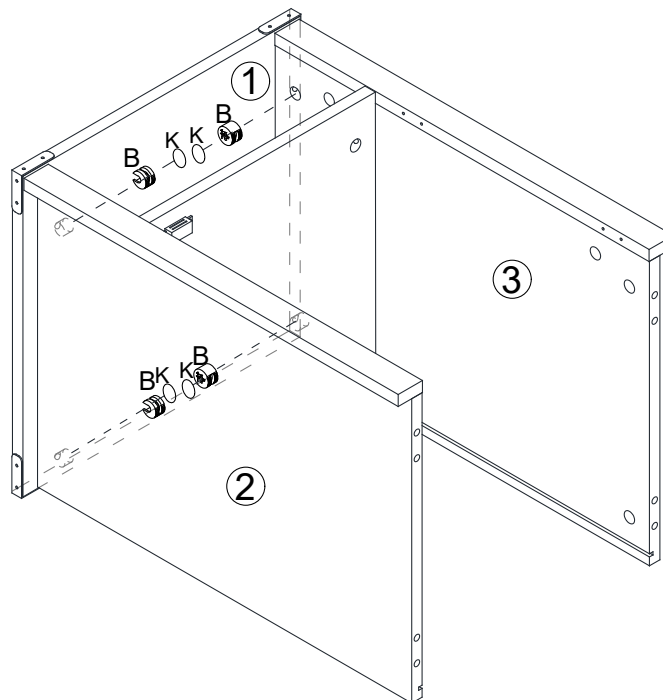
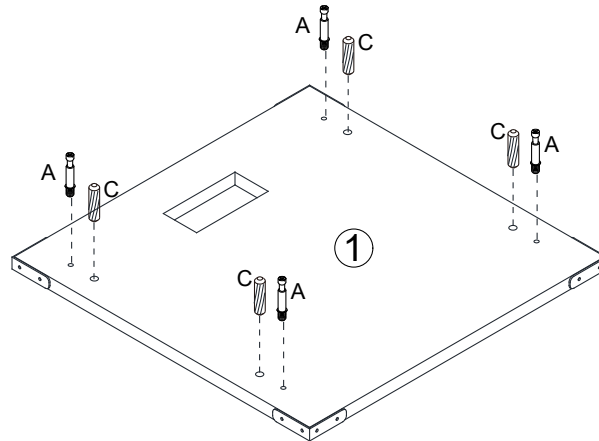
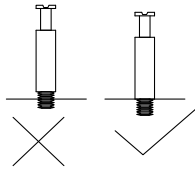
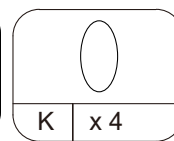
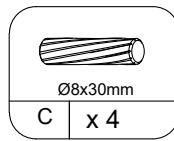
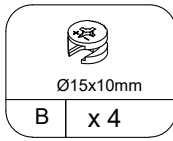
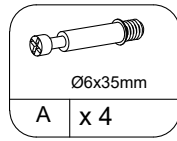
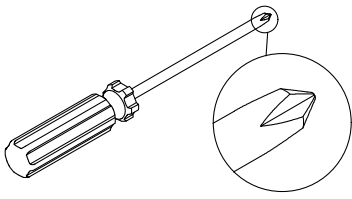
STEP 1



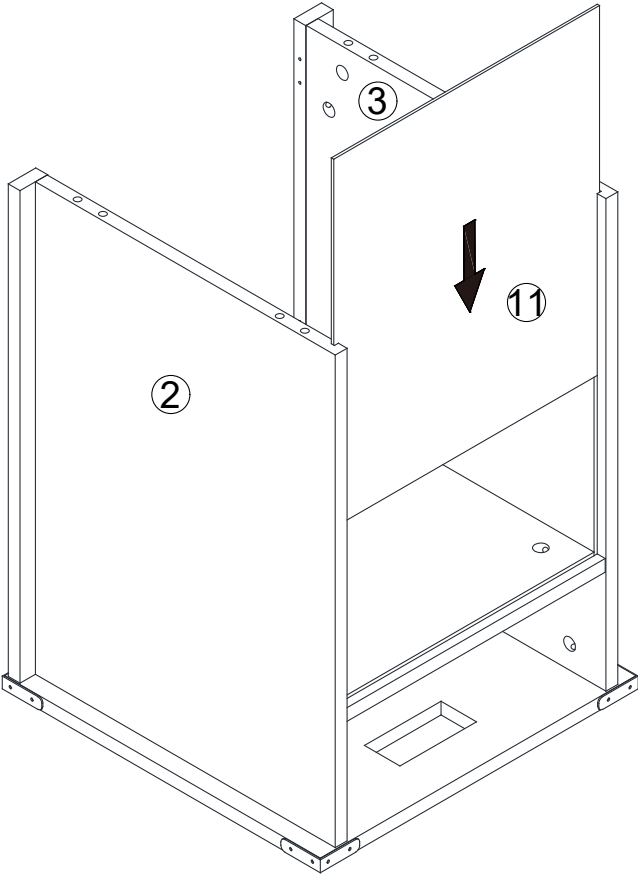
STEP 2



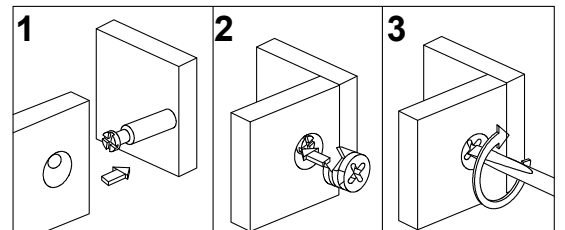
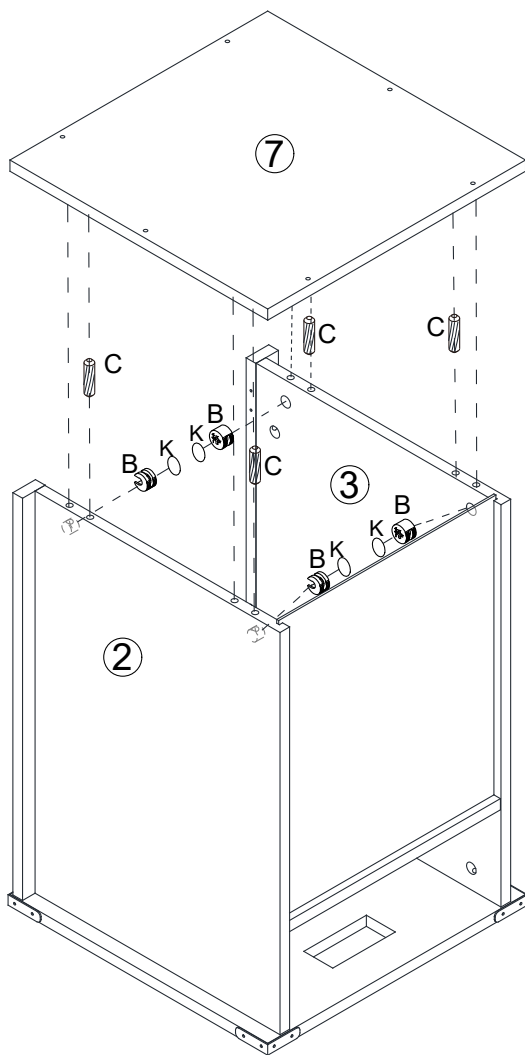
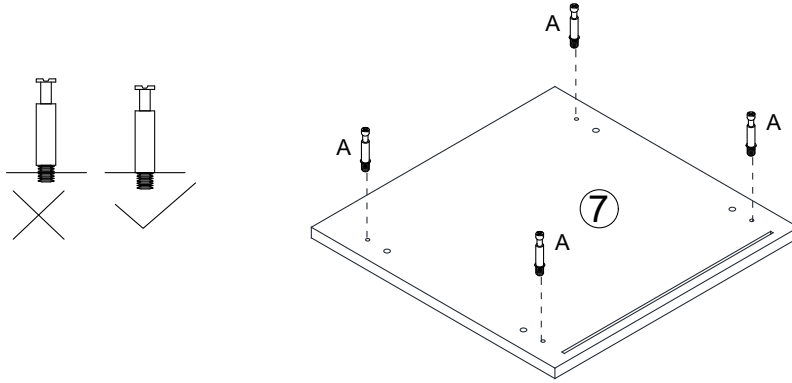
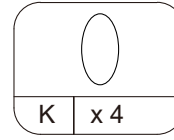
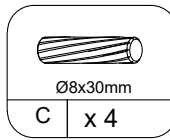
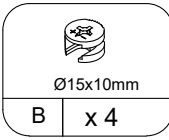
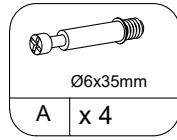
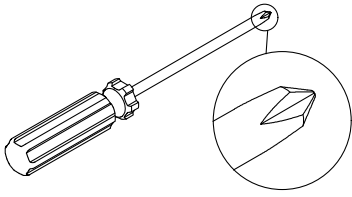
STEP 3



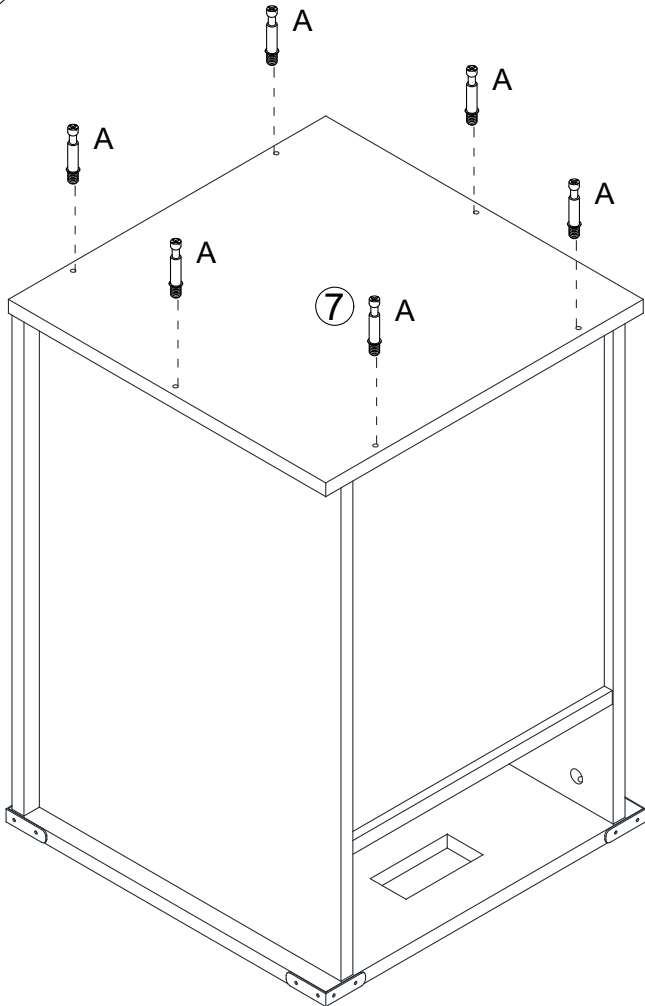
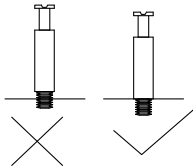
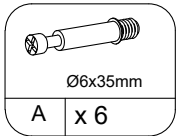
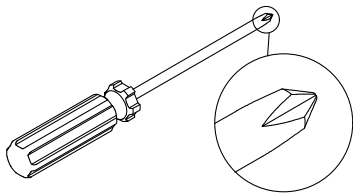
STEP 4



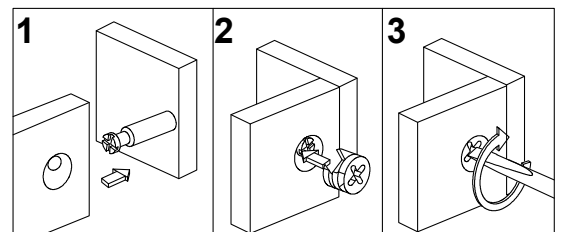
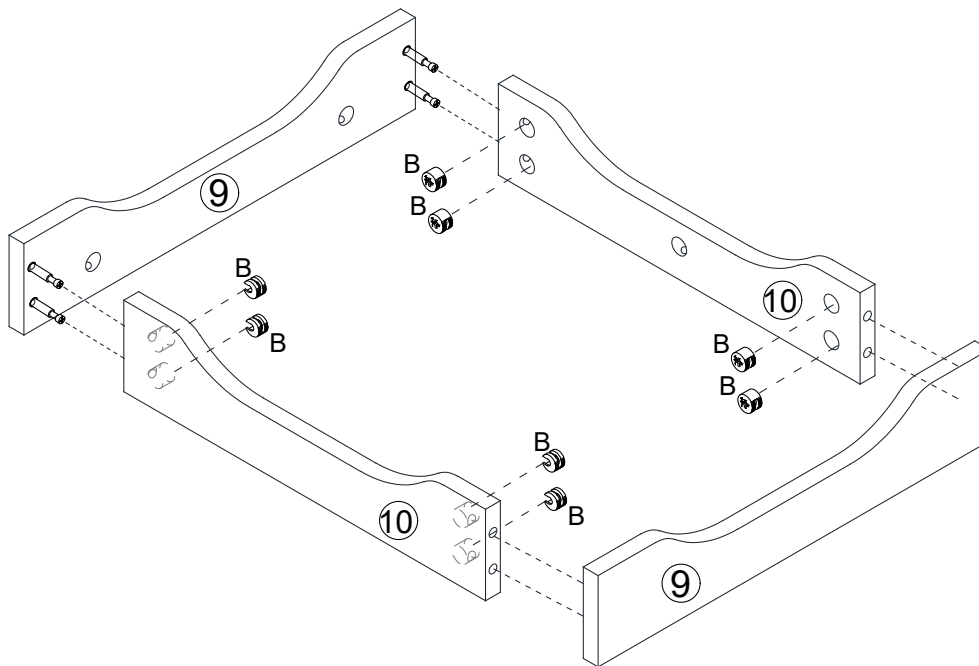
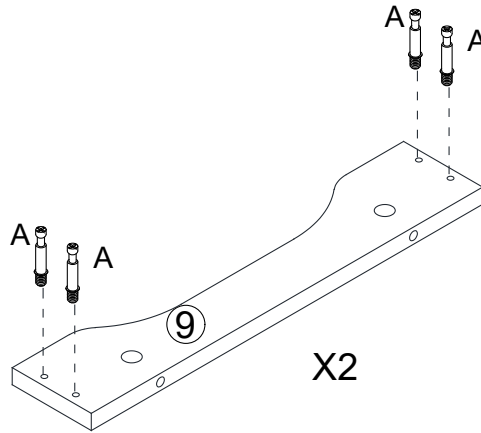
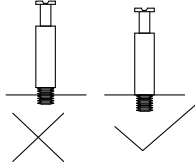
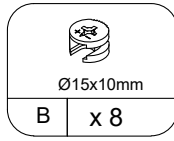
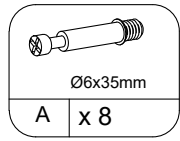
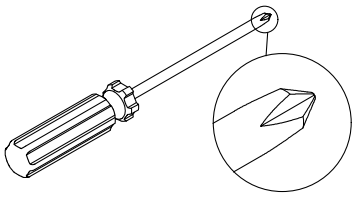
STEP 5



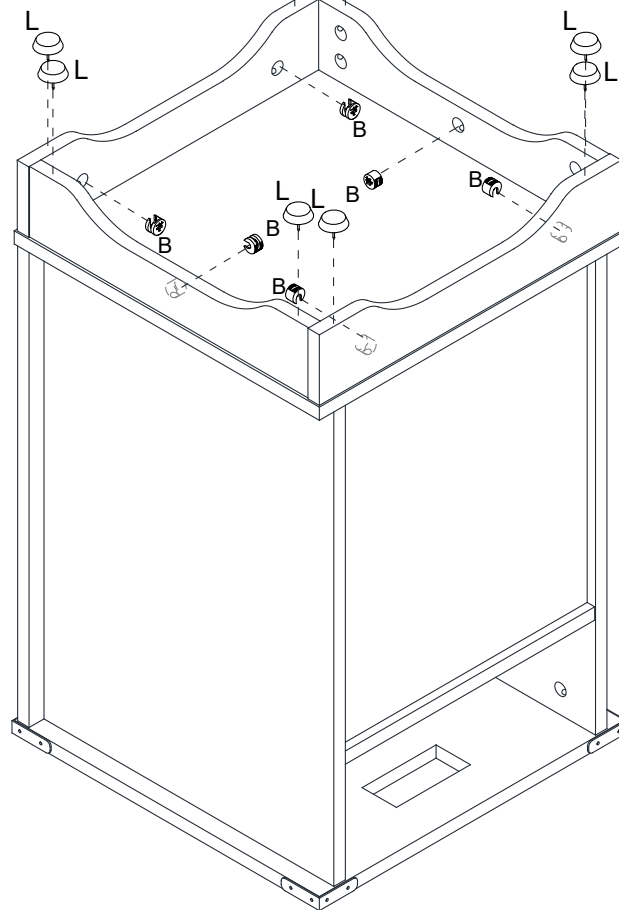
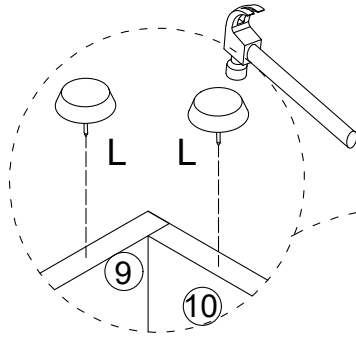
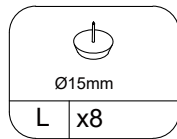
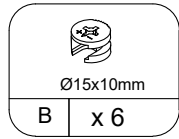
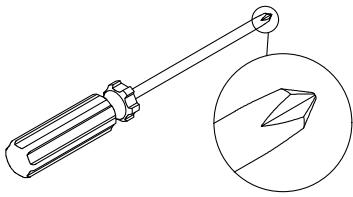
STEP 6



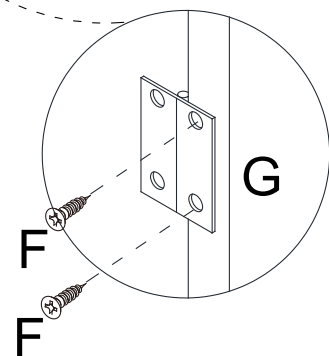
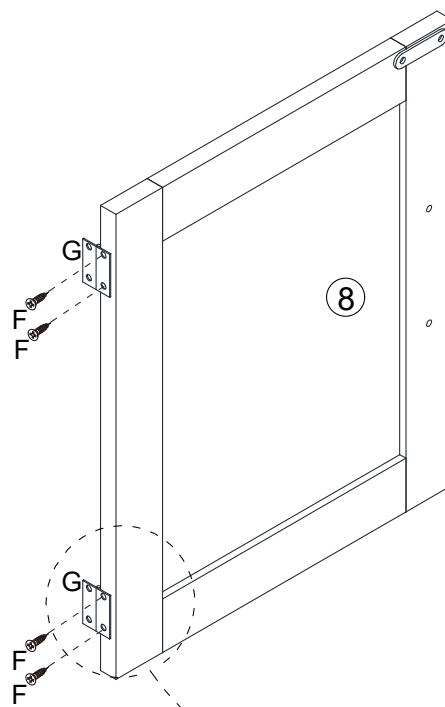
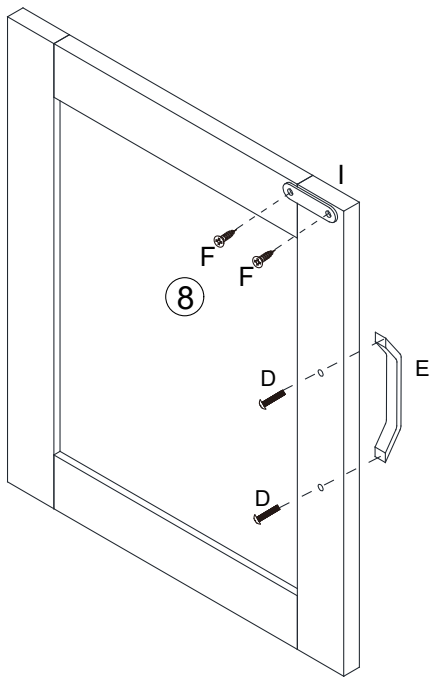
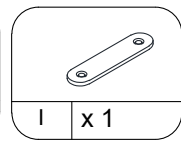
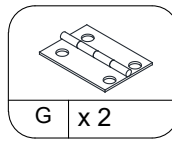
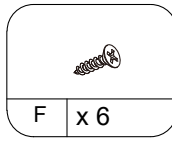
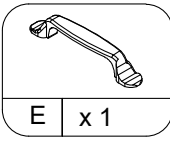
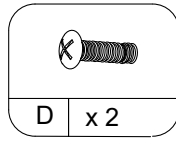
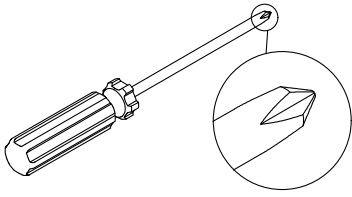
STEP 7



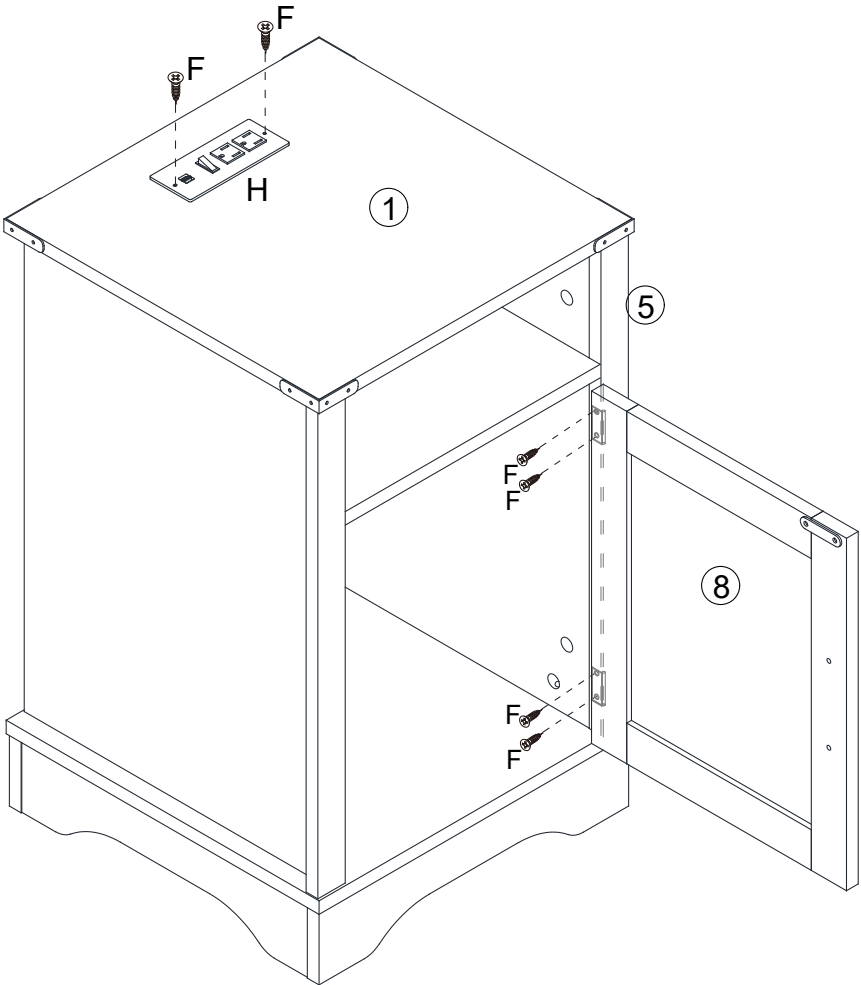
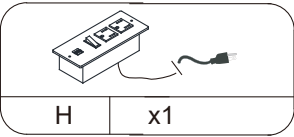
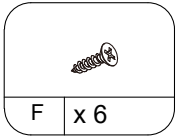
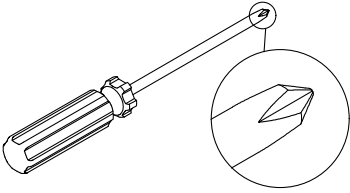
STEP 8



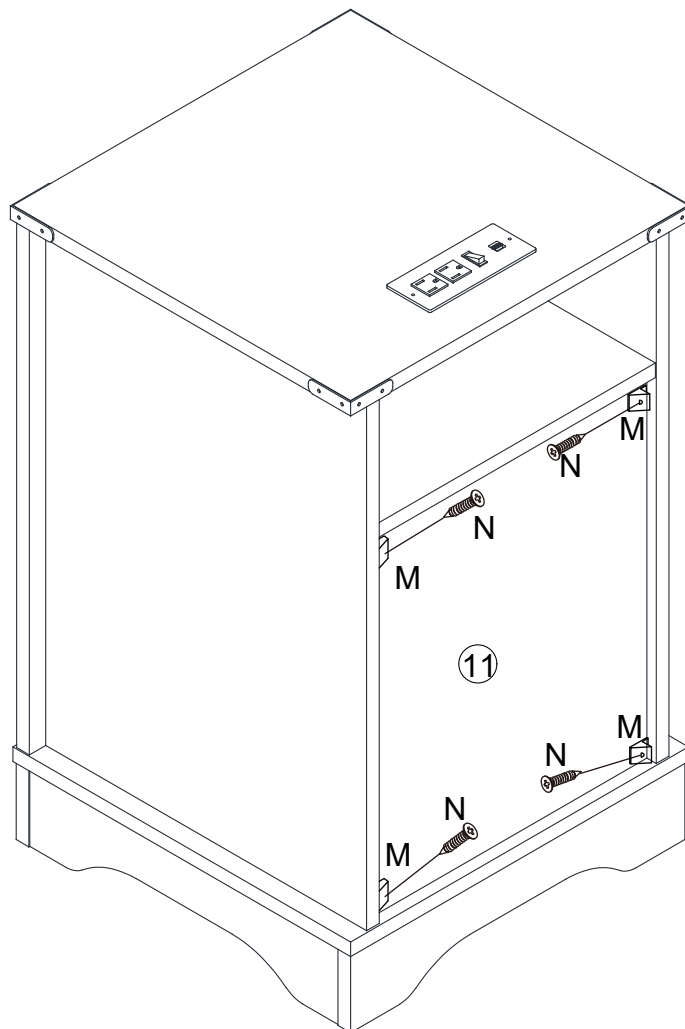
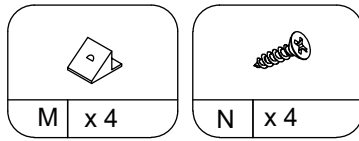
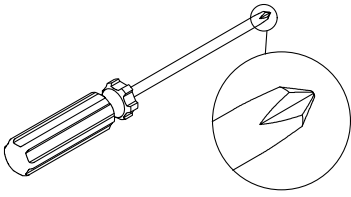
STEP 9



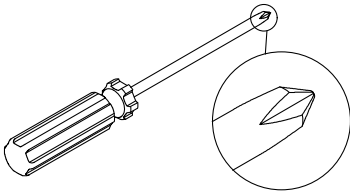
STEP 10





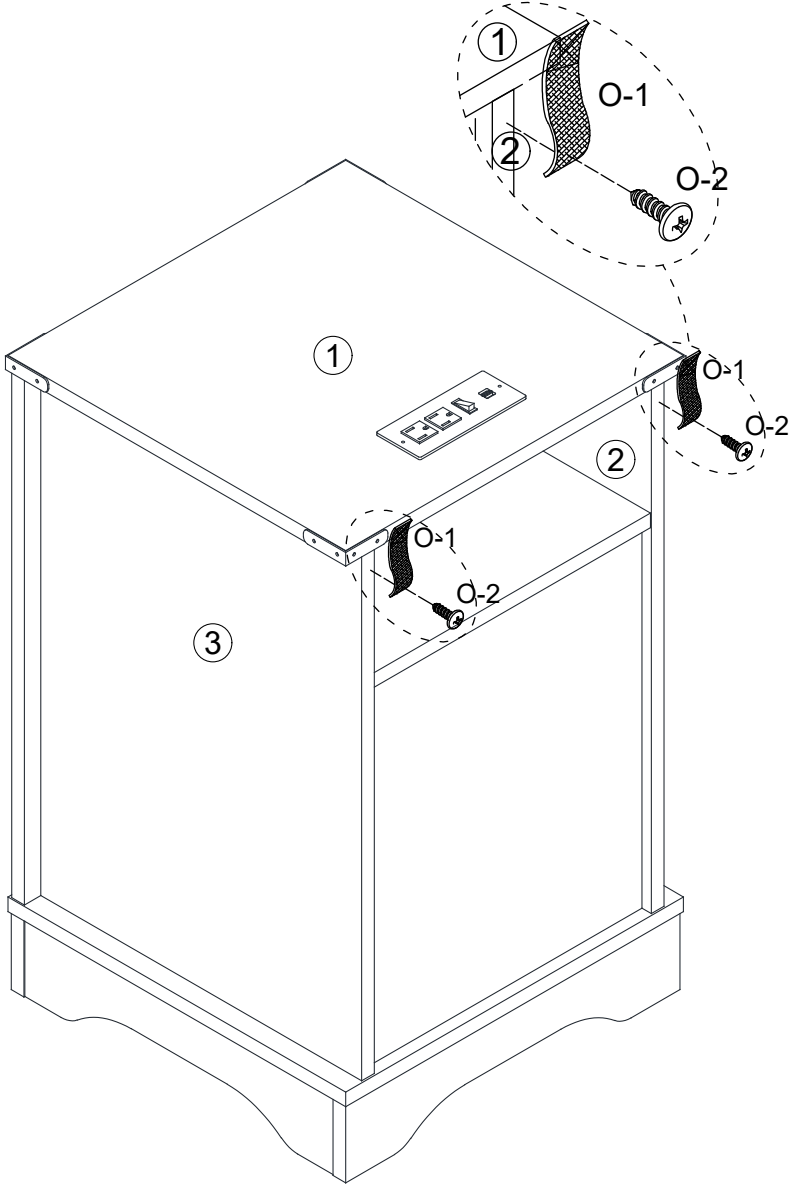
STEP 11



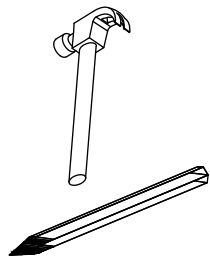
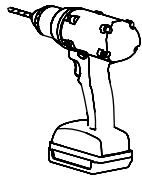
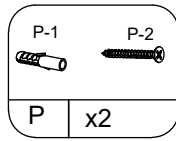
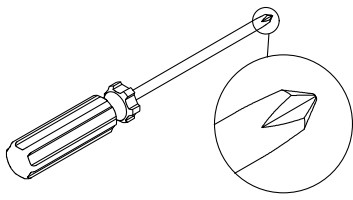
STEP 12



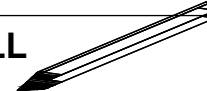
O-1	O-2
	
O	x2



STEP 13

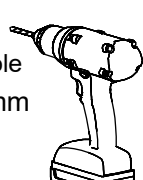


WALL



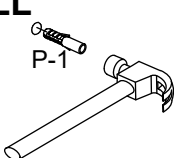
I x2

WALL +
drilling hole
Ø6x30mm

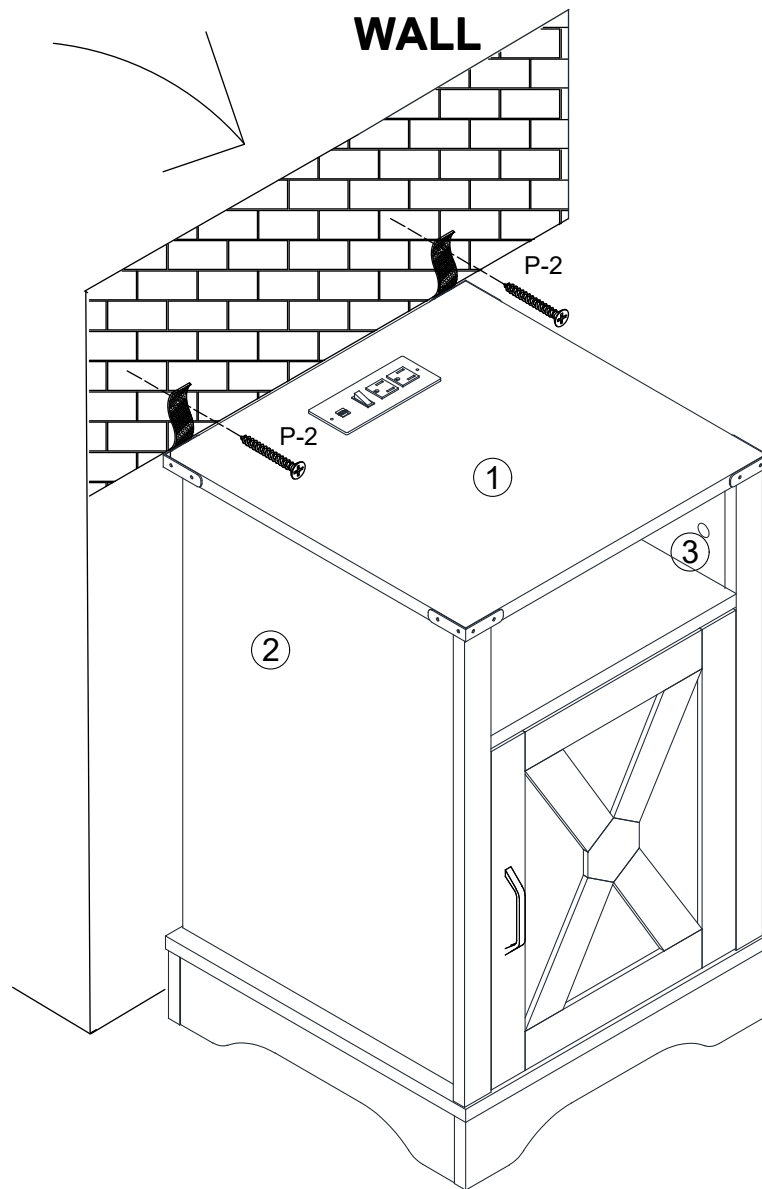


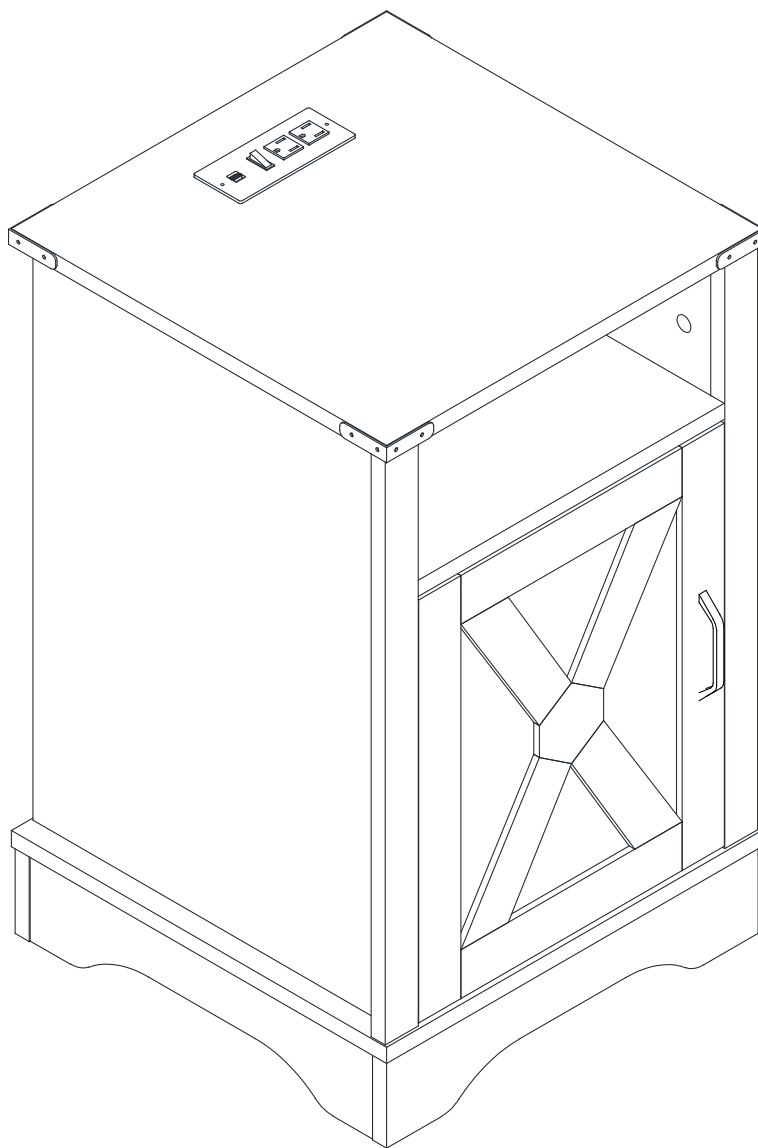
II x2

WALL



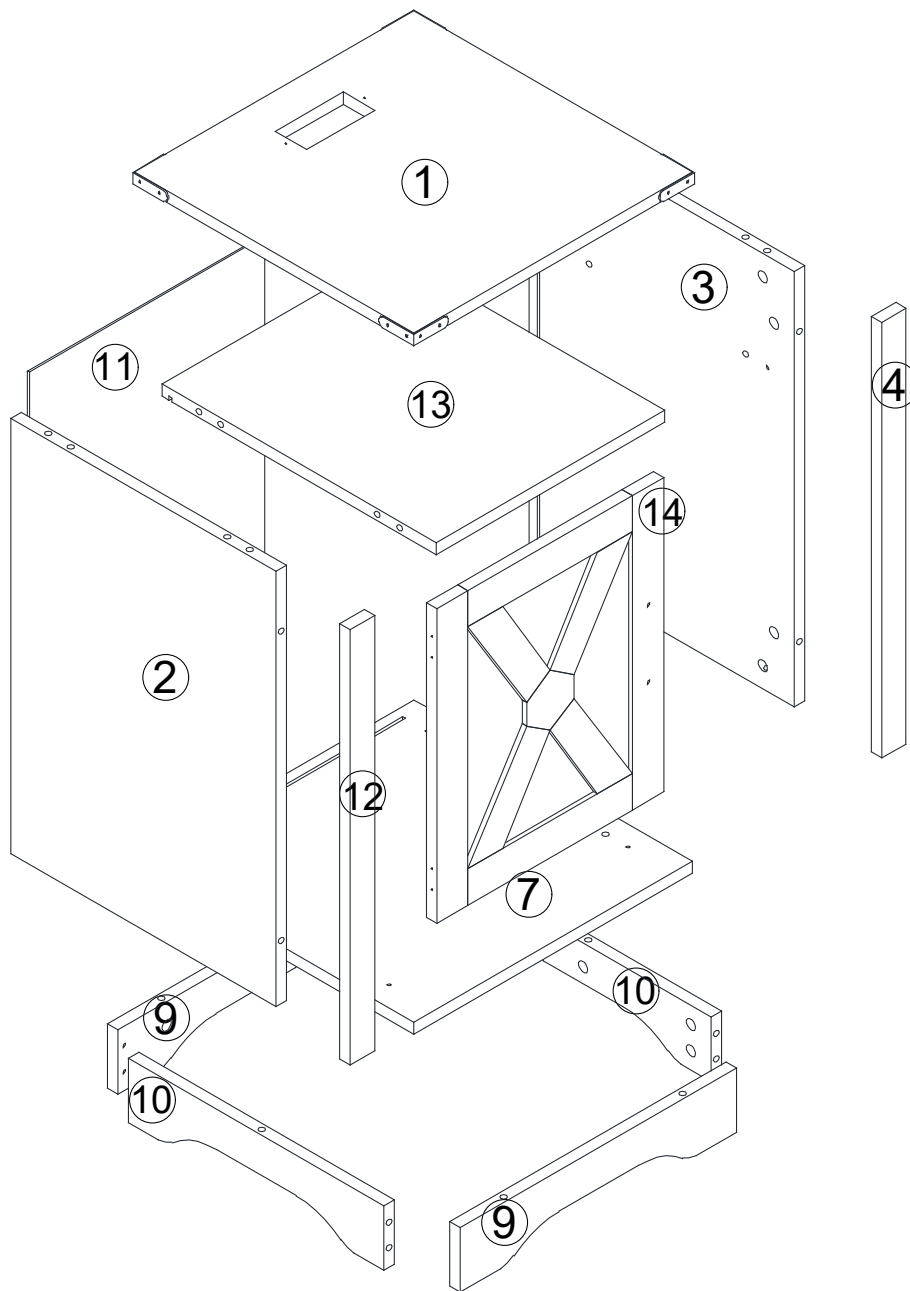
III x2



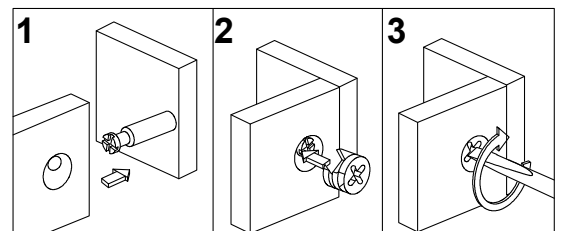
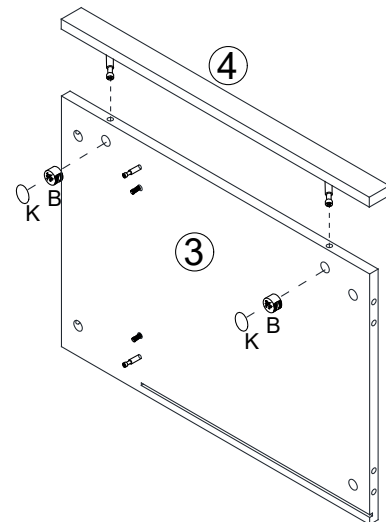
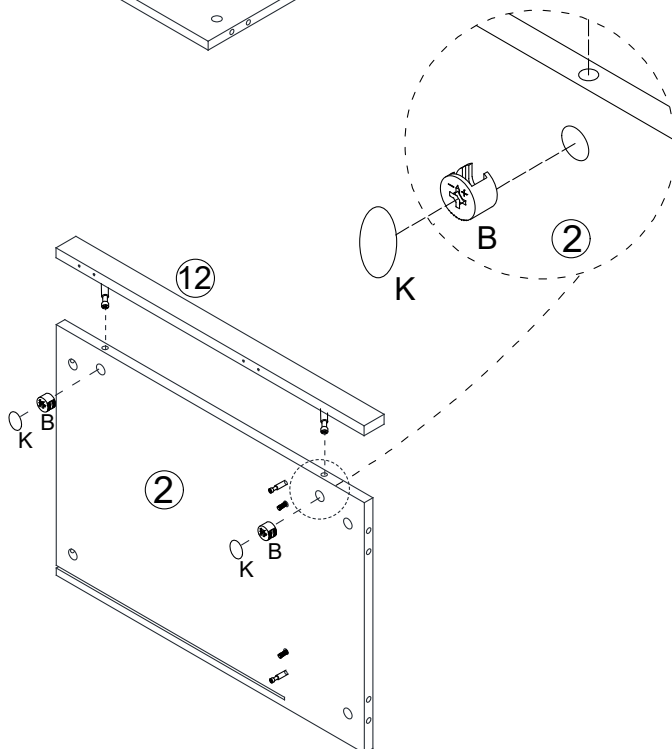
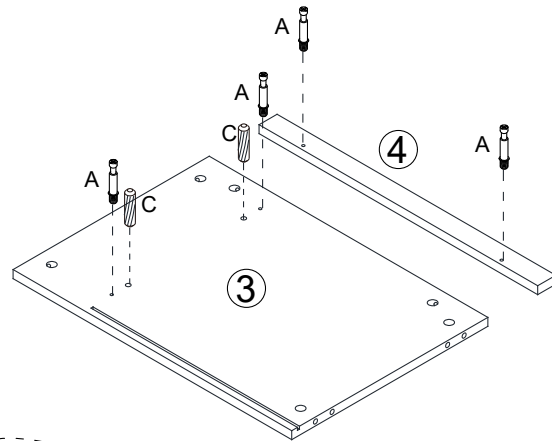
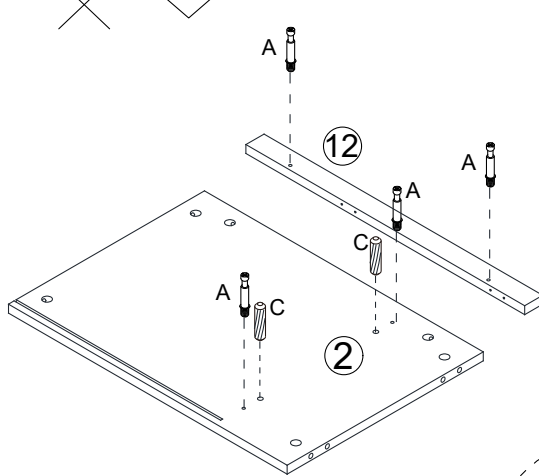
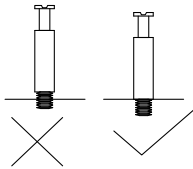
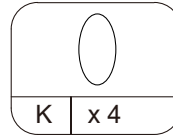
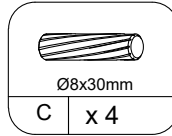
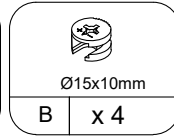
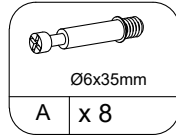
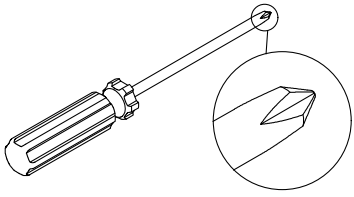


The door opens to the left

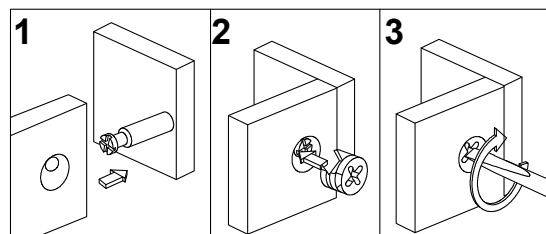
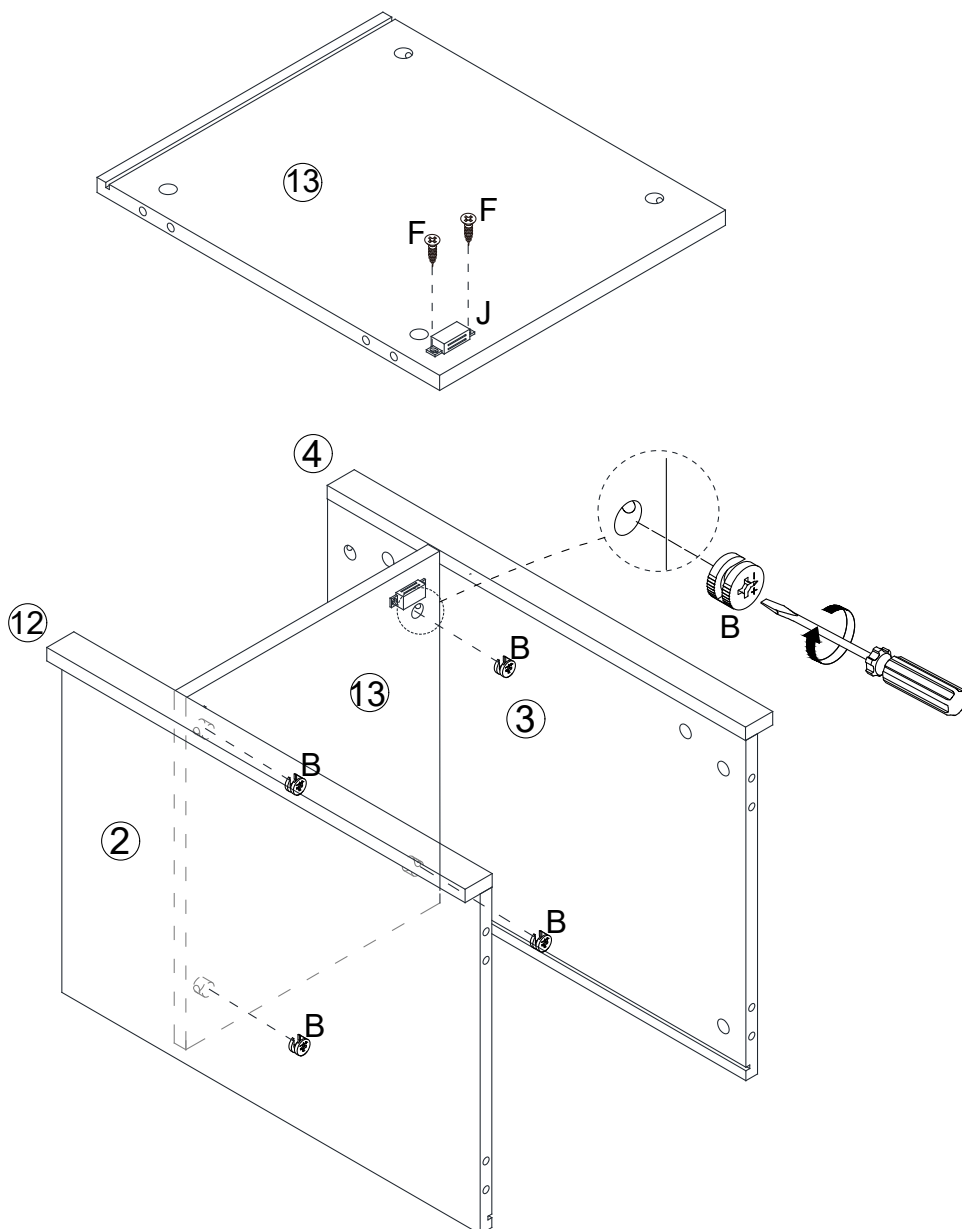
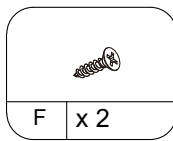
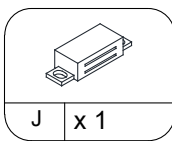
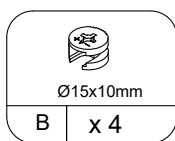
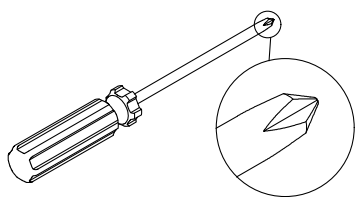
Board Identification



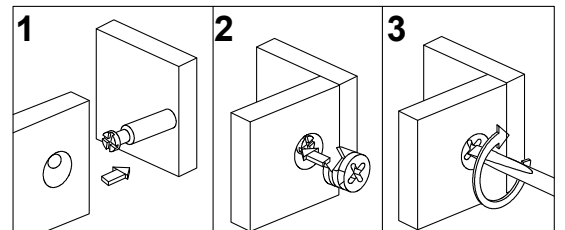
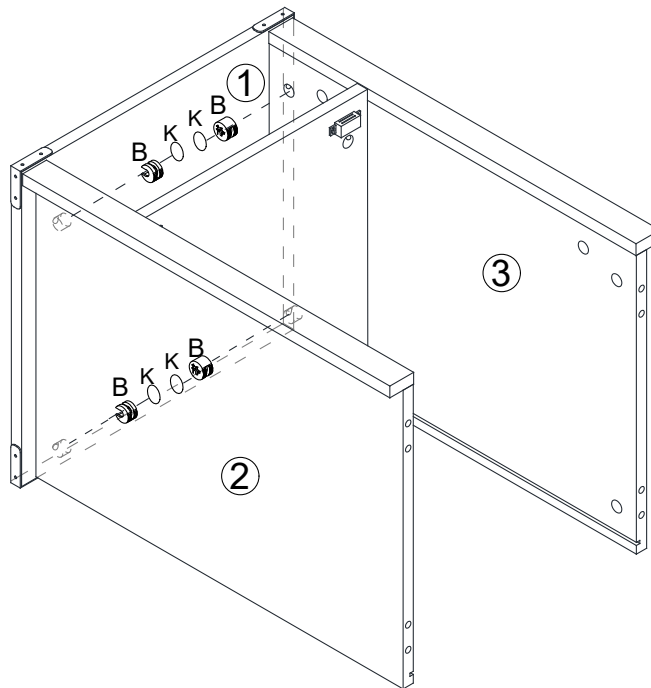
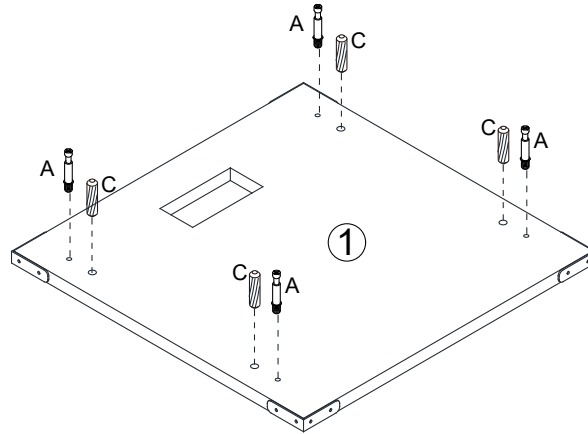
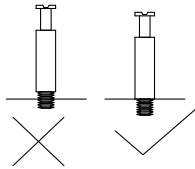
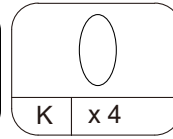
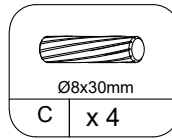
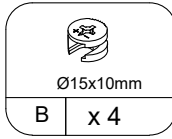
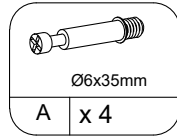
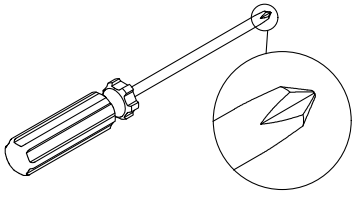
STEP 1



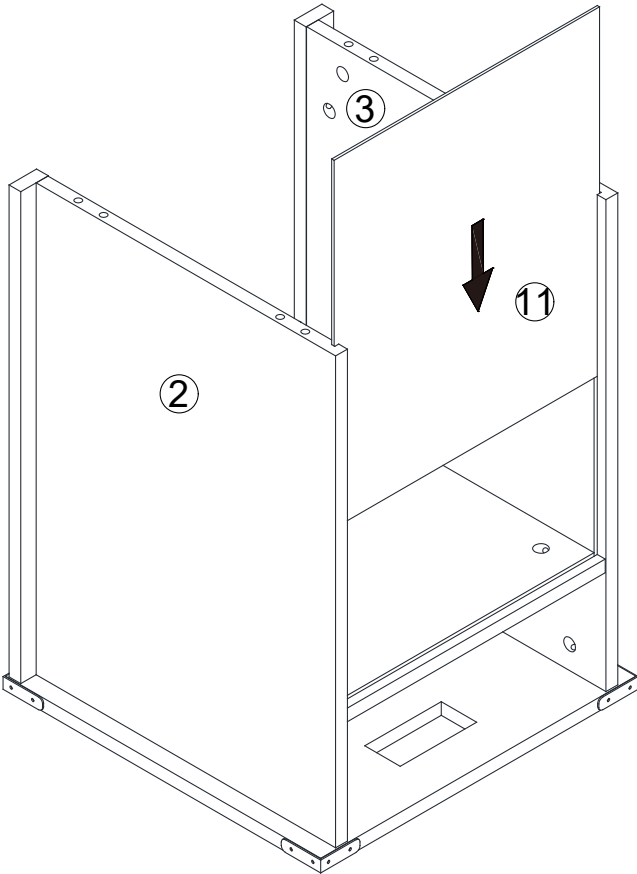
STEP 2



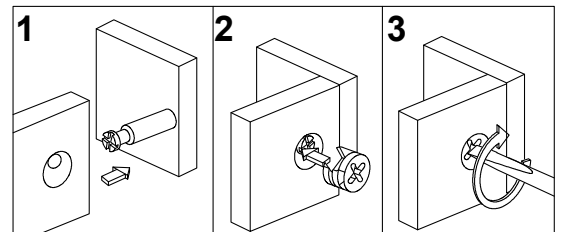
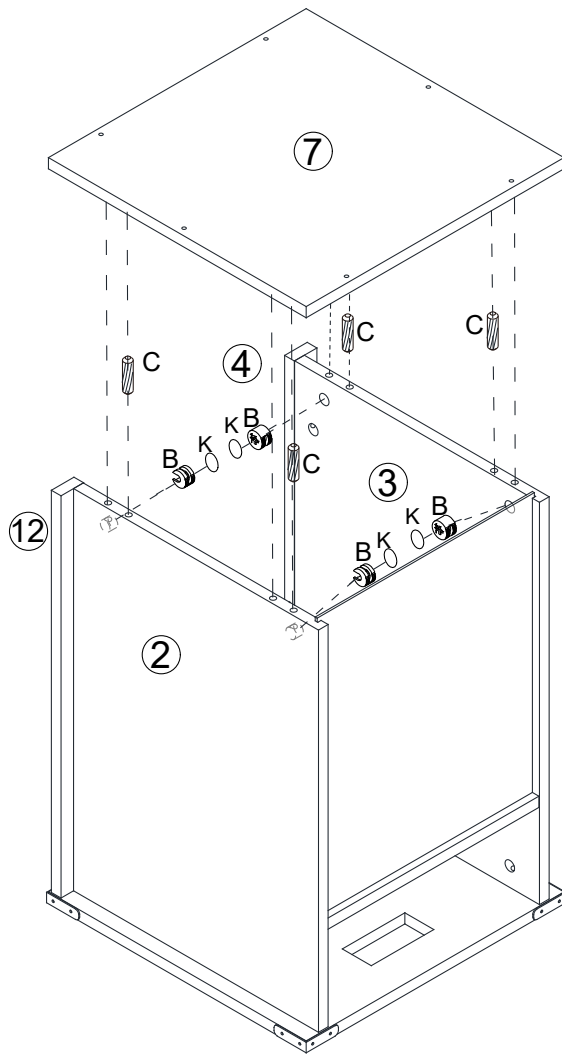
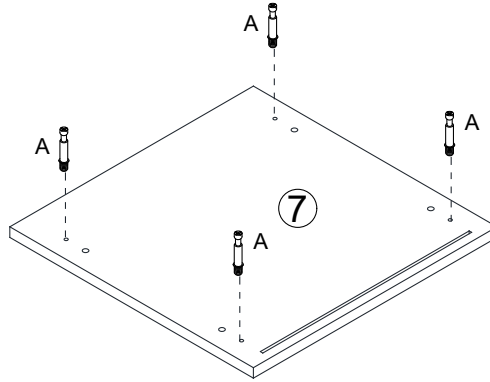
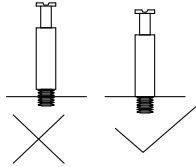
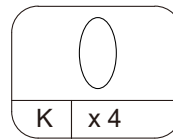
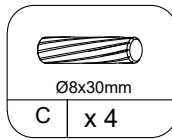
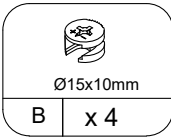
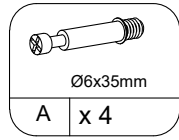
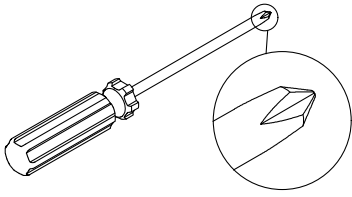
STEP 3



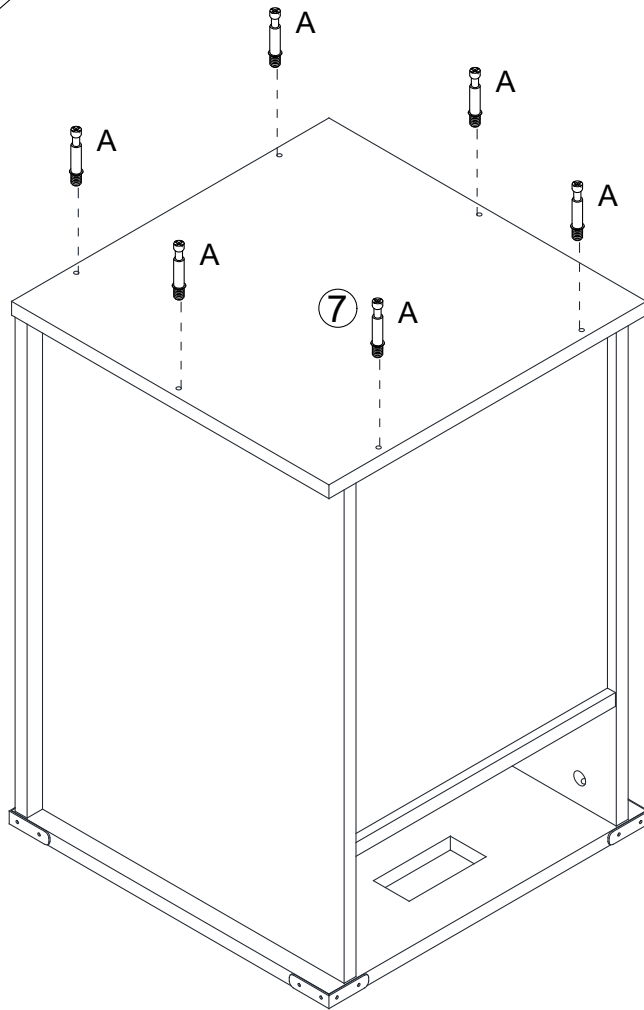
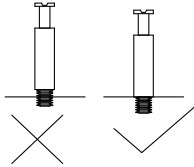
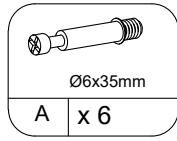
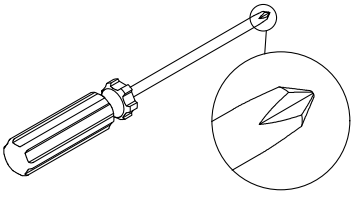
STEP 4



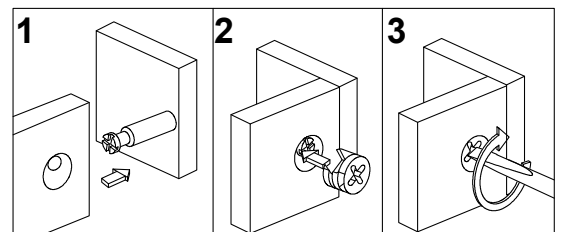
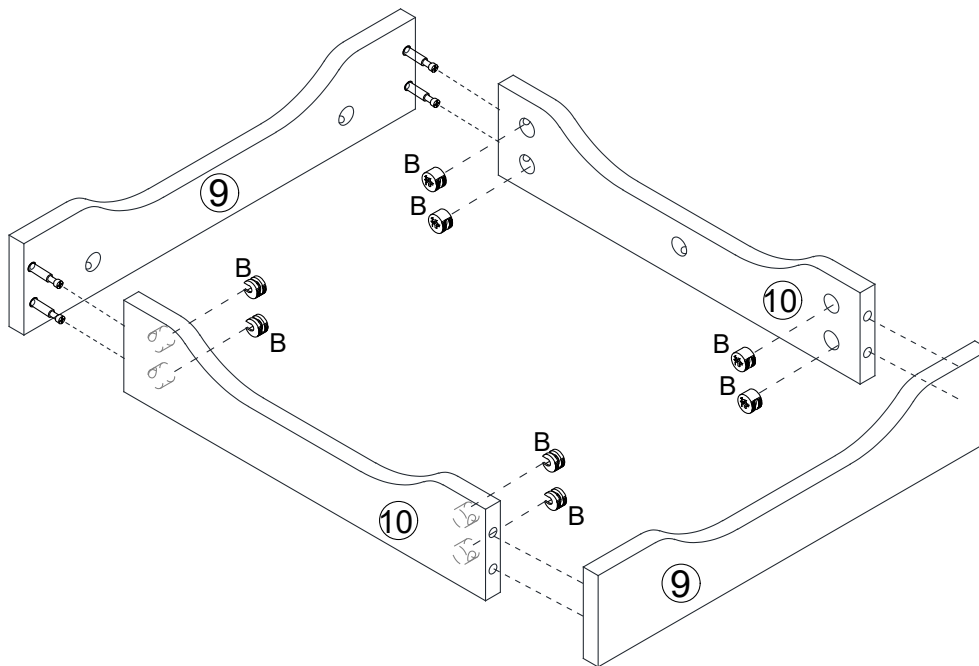
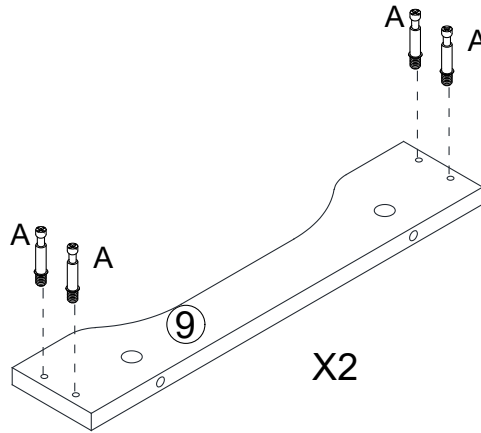
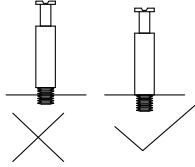
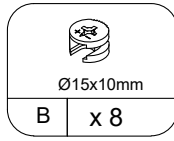
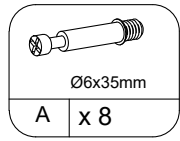
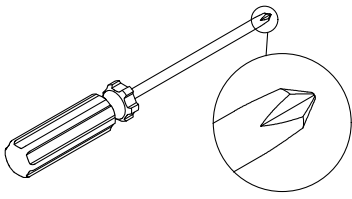
STEP 5



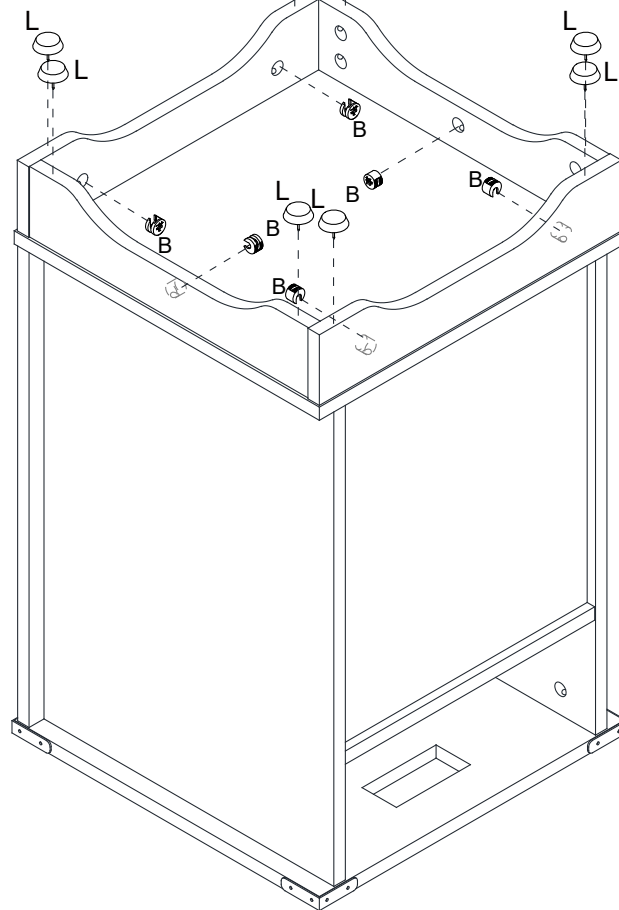
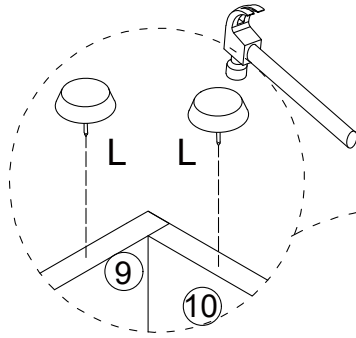
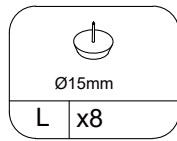
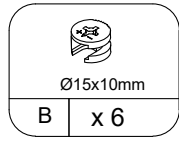
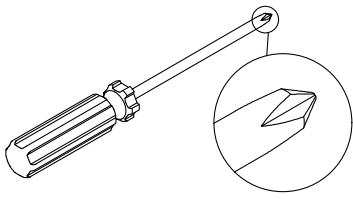
STEP 6



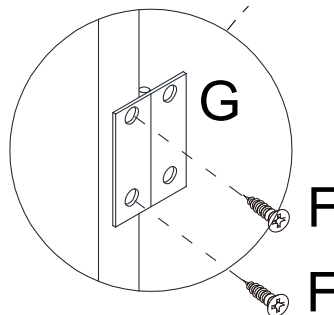
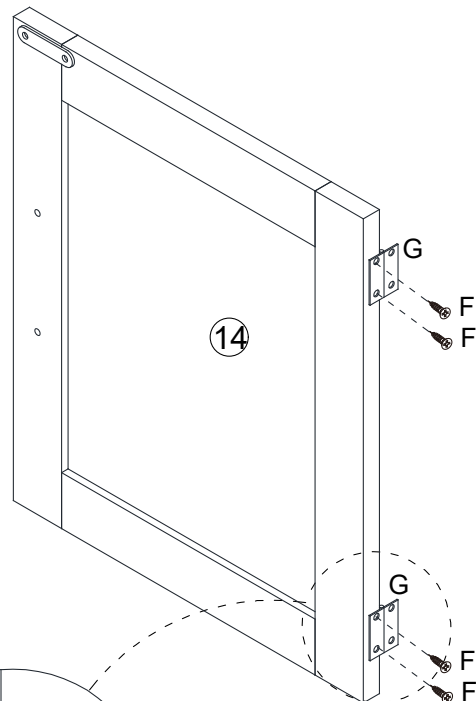
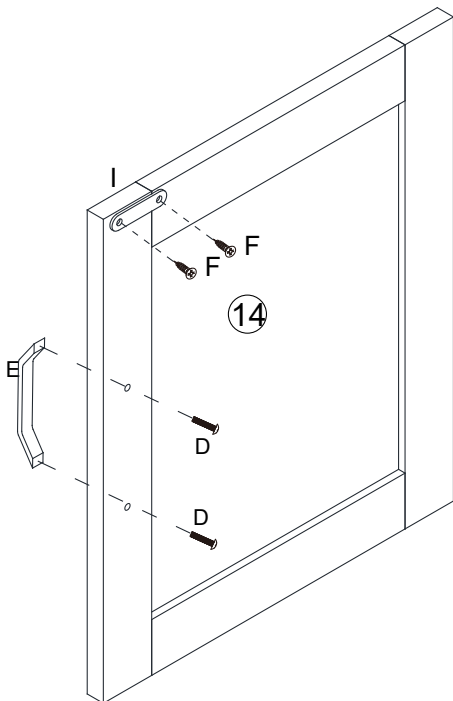
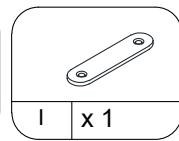
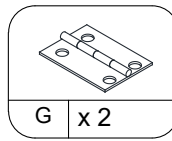
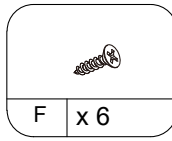
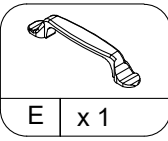
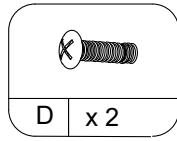
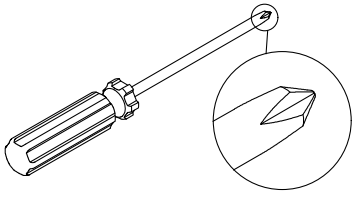
STEP 7



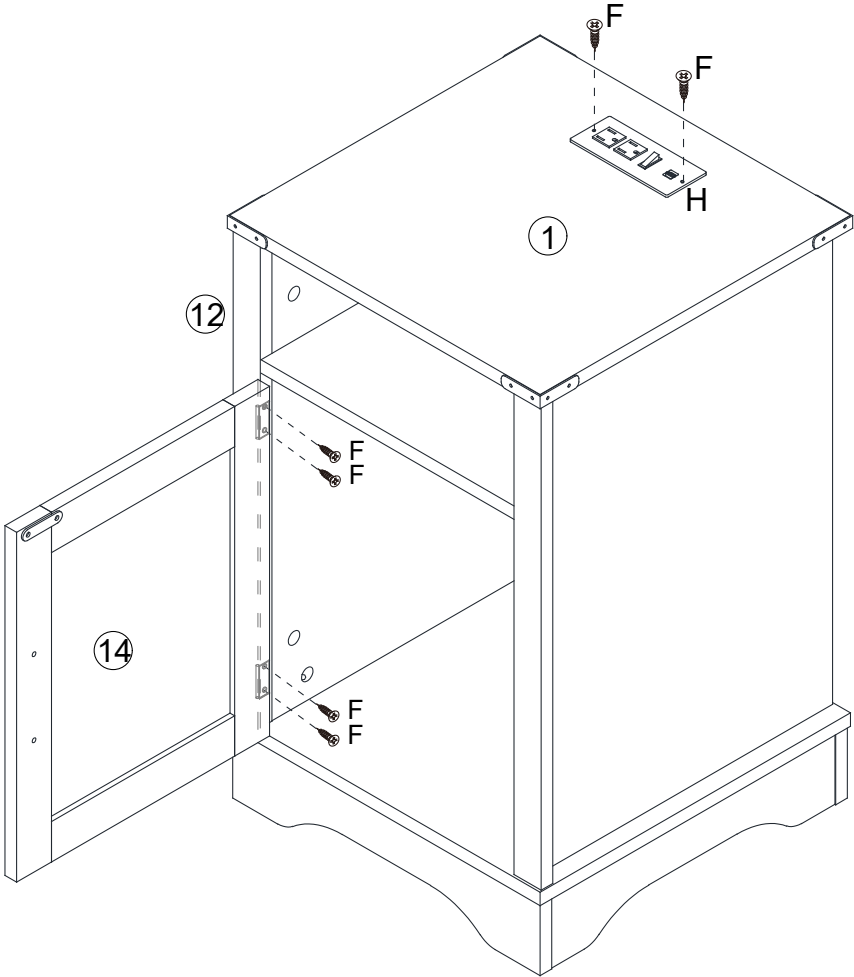
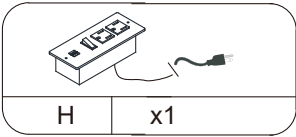
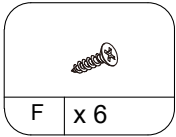
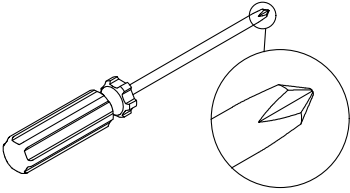
STEP 8



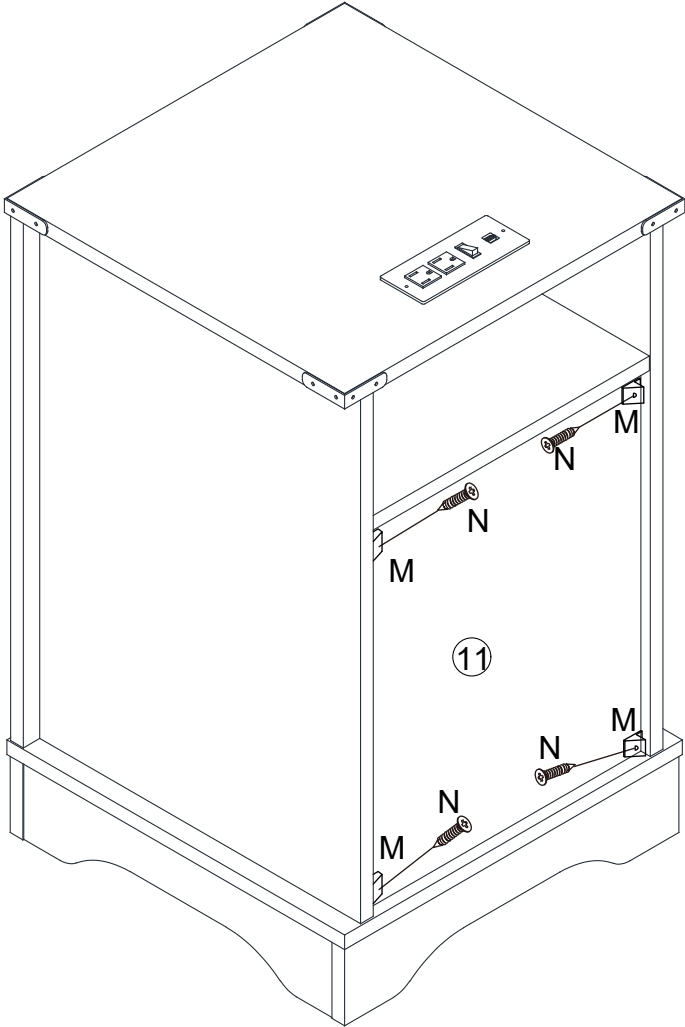
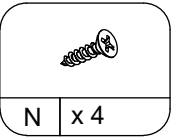
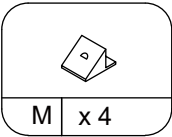
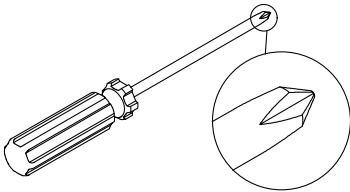
STEP 9



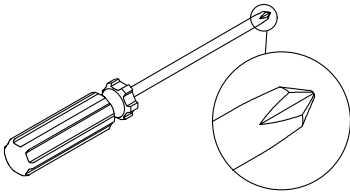
STEP 10





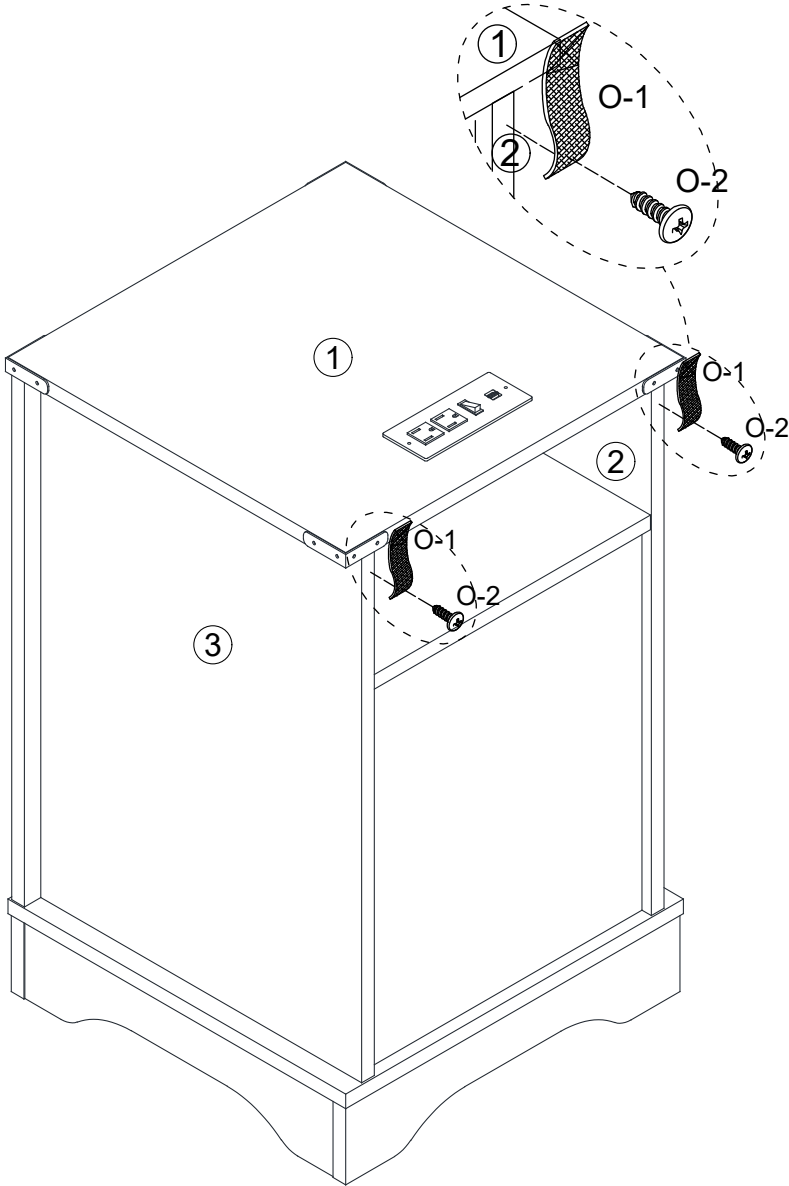
STEP 11



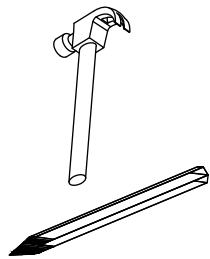
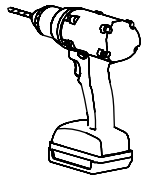
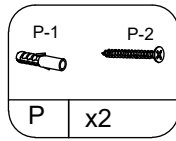
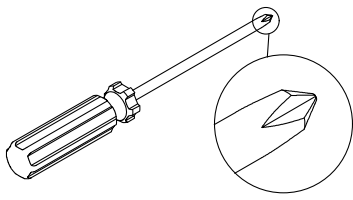
STEP 12



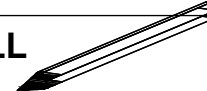
O-1	O-2
	
O	x2



STEP 13

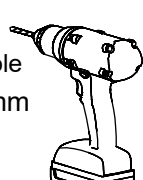


WALL



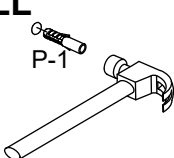
I x2

WALL +
drilling hole
Ø6x30mm



II x2

WALL



III x2

