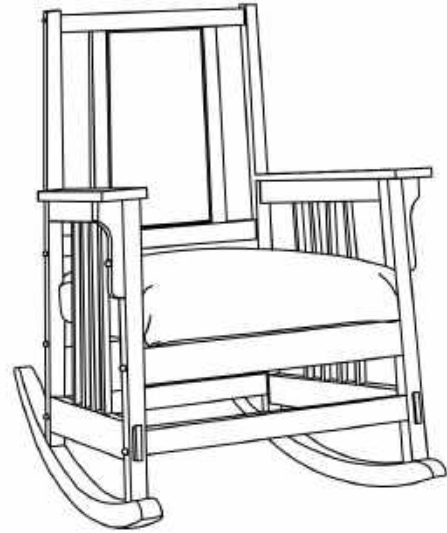


# ROCKER CHAIR

9020X



- Please keep instructions for future reference.
- Check the quantity and irregularity of parts and hardware before you start.



## PARTS

#1 1pc



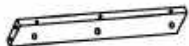
**LEFT SIDE PANEL**

#5 1pc



**RIGHT ARM**

#9 1pc



**FRONT STRETCHER  
TOP**

#2 1pc



**RIGHT SIDE PANEL**

#6 2pcs



**ROCKER**

#10 1pc



**FRONT STRETCHER  
BOTTOM**

#3 1pc



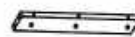
**BACK CUSHION**

#7 1pc



**SEAT CUSHION**

#11 1pc



**REAR STRETCHER  
TOP**

#4 1pc



**LEFT ARM**

#8 2pcs



**EAR**

#12 1pc



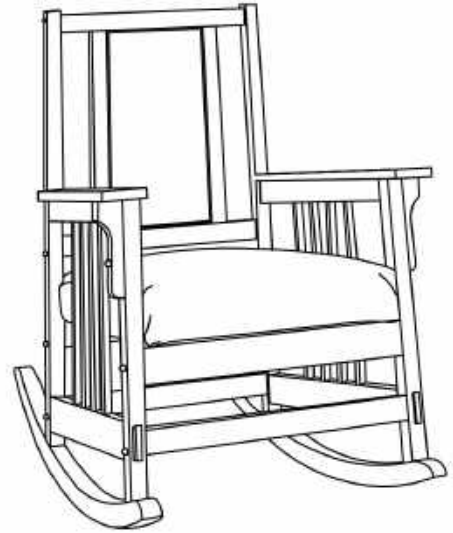
**REAR STRETCHER  
BOTTOM**

# ROCKER CHAIR

9020X



- Please keep instructions for future reference.
- Check the quantity and irregularity of parts and hardware before you start.



## HARDWARE

#A 22pcs



Bolt  $\varnothing 1/4"$  x 1-1/2"

#B 2pcs



Bolt  $\varnothing 1/4"$  x 1"

#C 24pcs



Lock Washer

#D 4pcs



Flat Washer

#E 14pcs



Wooden Cap

#F 1pc



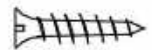
Glue

#G 1pc



Allen Wrench

#H 4pcs



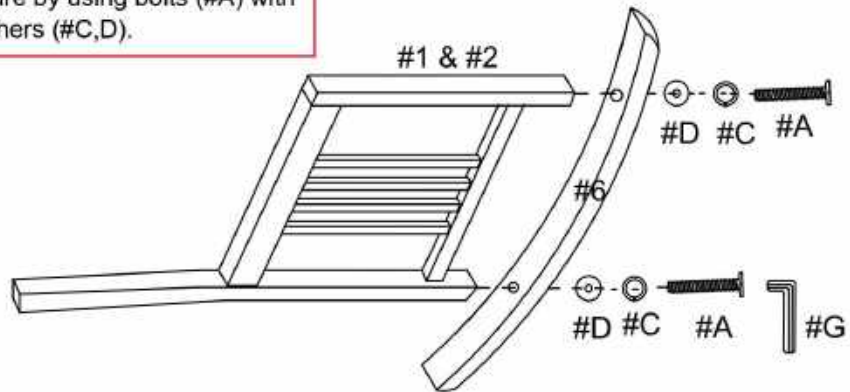
Screw 1-1/4"L

# ASSEMBLY INSTRUCTIONS

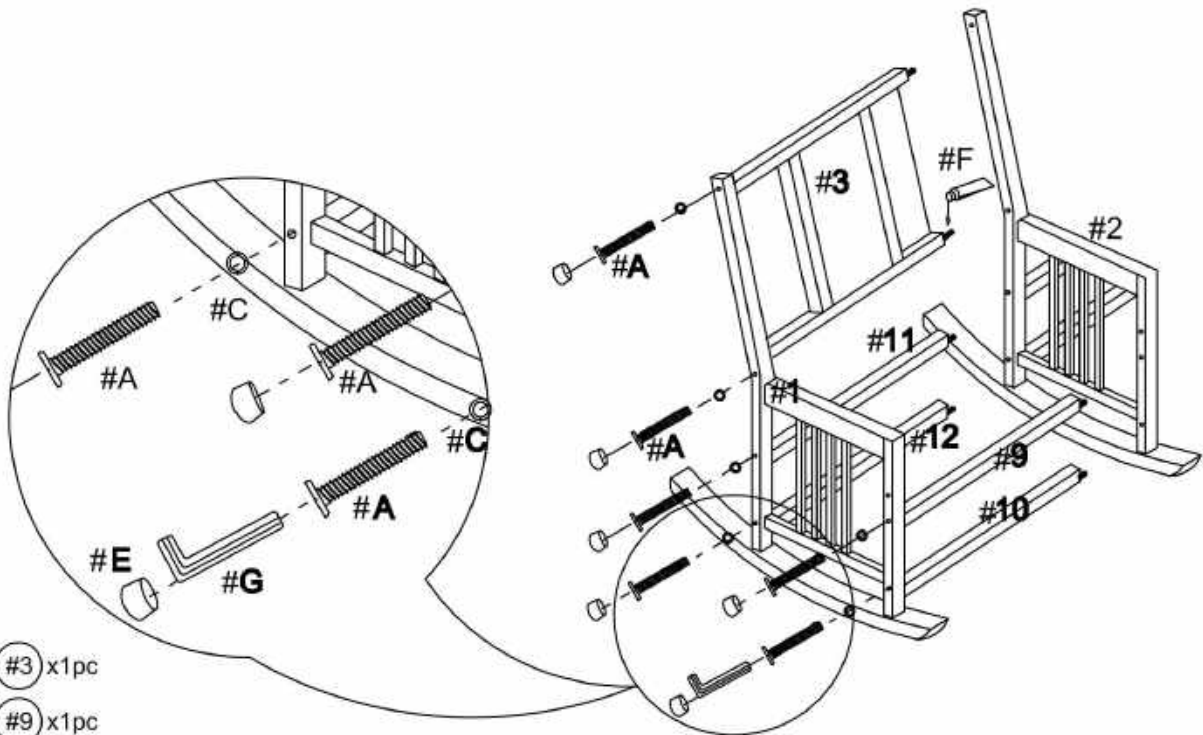
1

Align rockers (#6) to the left and right side panels (#1,2), then secure by using bolts (#A) with washers (#C,D).

- Part #1 x1pc
- Part #2 x 1pc
- Part #6 x 2pcs
- Hardware #A x 4pcs
- Hardware #C x 4pcs
- Hardware #D x 4pcs



2



- Part #3 x1pc
- Part #9 x1pc
- Part #10 x1pc
- Part #11 x1pc
- Part #12 x1pc
- Hardware #A x 12pcs
- Hardware #C x 12pcs
- Hardware #E x12pcs
- Hardware #F x1pc

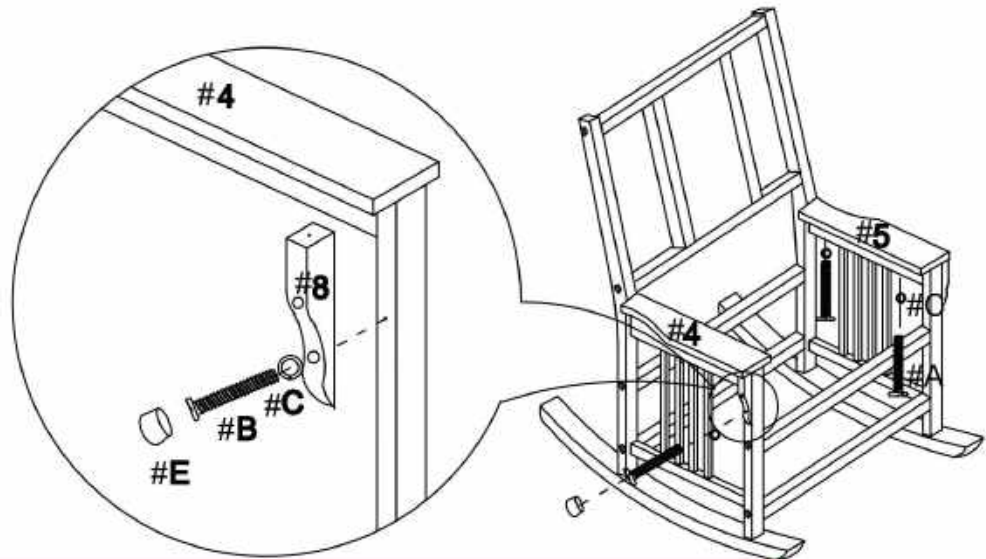
Align stretchers (#9,10,11,12) and back (#3) to the side panels (#1,2), then secure by using bolts (#A) with washers (#C). Cover bolts (#A) by using plugs (#E).

# ASSEMBLY INSTRUCTIONS

## 3

- Part #4 x1pc
- Part #5 x1pc
- Part #8 x2pcs

- Hardware #A x 4pcs
- Hardware #B x 2pcs
- Hardware #C x 6pcs
- Hardware #E x2pcs

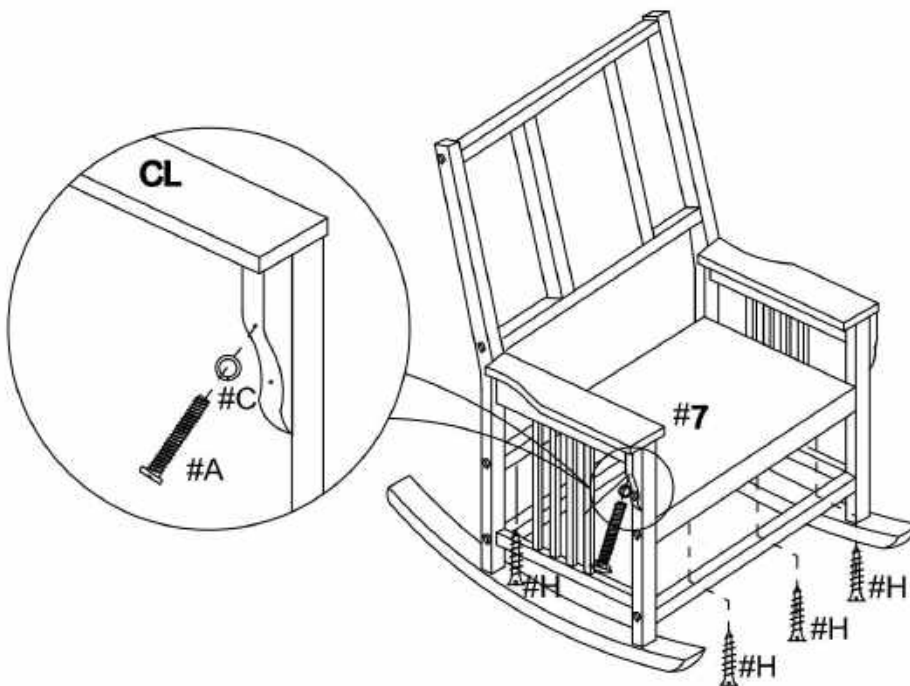


Align arms (#4,5) to the side panels, then secure by using bolts (#A) with washers (#C). Align ears (#8) to the side panels, then secure by using bolts (#B) with washers (#C). Cover bolts (#B) by using plugs (#E).

## 4

- Part #7 x1pc
- Hardware #A x 2pcs
- Hardware #C x 2pcs
- Hardware #H x 4pcs

Align seat (#7) to the chair, then secure by using screws (#H). There may not be pre-drilled holes on the seat (#7). Secure ears on the side panels by using bolts (#A) with washers (#C).



### ASSEMBLY COMPLETED



Please ensure the furniture rests on an even and flat surface. If the product wobbles or feels loose, double-check all bolts and/or screws are properly tightened and secured.

#### Keep this handy!

Please retain this instruction manual and any order-related information for future reference.

#### Lift, don't drag!

To avoid damage to product please always LIFT the product when transporting or adjusting the placement.