

# Assembly Instructions

**Caution : You must read this before you proceed**

## Care & Maintenance



- **Not for commercial use. For residential use only.**



- **Do not put hot items directly on furniture surface.**



- **Do not clean furniture with harsh cleansers or polish.**



- **Do not place furniture under direct sunlight.**



- **Do not place furniture near heating or cooling vents.**



- **Do not write on furniture without a padded barrier to protect the surface.**



- **Do not place furniture outside . For indoor use only.**



- **Furniture may scratch floors. We recommend using furniture pads to protect your floors.**



- **Stains may be removed with mild soap solution and damp cloth.**



- **Children should not climb or jump on the furniture.**



- **Dust and pick-up spills using a clean, non-colored, lint-free cloth.**



# WARNING!!

Children have died from furniture tipover. Tip restraints have been included with this product; you must install the tip restraints according to these instructions in order to minimize the risk of furniture tipping. If you have any questions about this product or the tip restraint, please send us an email at [tip\\_restraint\\_help@Noblehousefurniture.com](mailto:tip_restraint_help@Noblehousefurniture.com)

**NEVER** allow children to climb or hang on furniture, including drawers or cabinet doors.

In addition to installing the restrains, to help prevent tip-over

1. **NEVER** put a TV or other heavy objects on top of this product".
2. Do not stand on the product

<b>⚠ WARNING</b>	
	<p><b>Children have died from furniture tipover. To reduce the risk of furniture tipover:</b></p> <ul style="list-style-type: none"><li>• ALWAYS install tipover restraint provided.</li><li>• NEVER put a TV on this product.</li><li>• NEVER allow children to stand, climb or hang on drawers, doors, or shelves.</li><li>• NEVER open more than one drawer at a time.</li><li>• Place heaviest items in the lowest drawers.</li><li>• Do not defeat or remove the drawer interlock system.</li></ul>
	<p><i>This is a permanent label. Do not remove!</i></p>

# Assembly Instructions

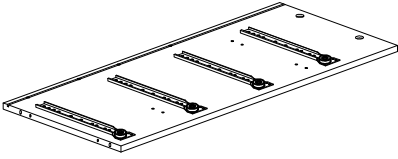
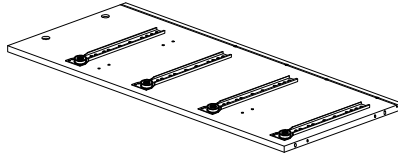
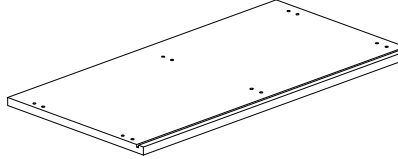
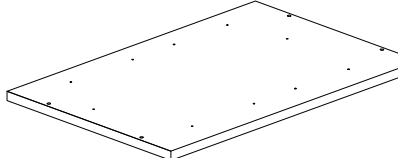
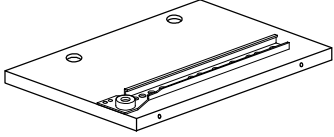
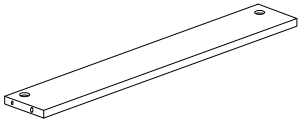
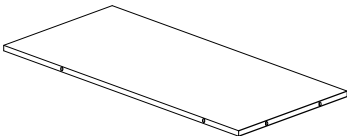
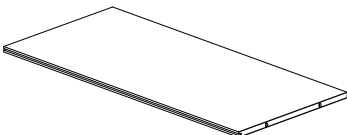
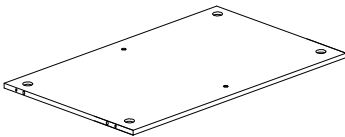
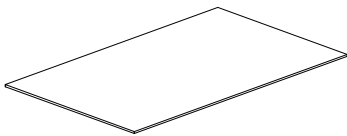
**Caution : You must read this before you proceed**

**Please look in \*\*\*\*\* for hardware packs and legs.  
Sets often ship in multiple boxes and may arrive a day or two apart.**

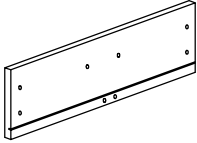
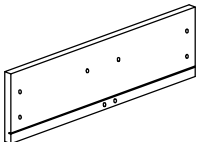
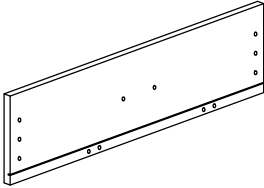
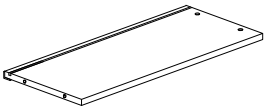
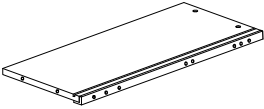
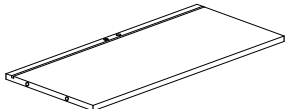
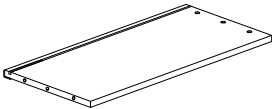
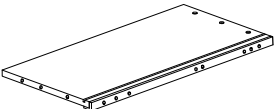
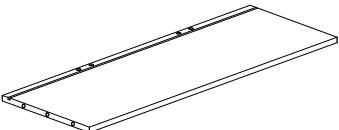
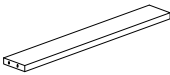
## **CHEST**



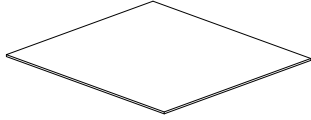
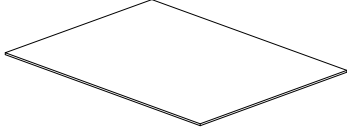

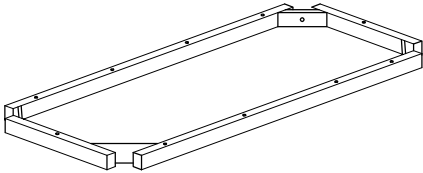
# Parts List

Label	Picture	Description	QTY
A		Right Side Panel	1
B		Left Side Panel	1
C		Top Panel	1
D		Bottom Panel	1
E		Centre Panel	1
F		Front Support	1
G		Back Support -A	1
H		Back Support -B	1
I		Fixed Panel	1
J		Back Panel	1

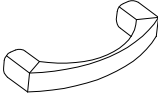




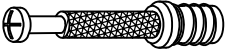
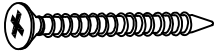


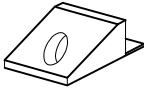

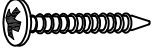

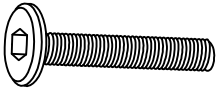

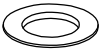
# Parts List


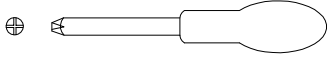
Label	Picture	Description	QTY
K		Drawer Front Right - Small	1
L		Drawer Front Left - Small	1
M		Drawer Front - Large	3
N		Drawer Right Panel - Small	2
O		Drawer Left Panel - Small	2
P		Drawer Back Panel - Small	2
Q		Drawer Right Panel - Large	3
R		Drawer Left Panel - Large	3
S		Drawer Back Panel - Large	3
T		Drawer Bottom Support	8

## Parts List

<b>Label</b>	<b>Picture</b>	<b>Description</b>	<b>QTY</b>
U		Drawer Base - Small	2
V		Drawer Base - Large	3
W		Leg	4
X		Wooden Frame	1

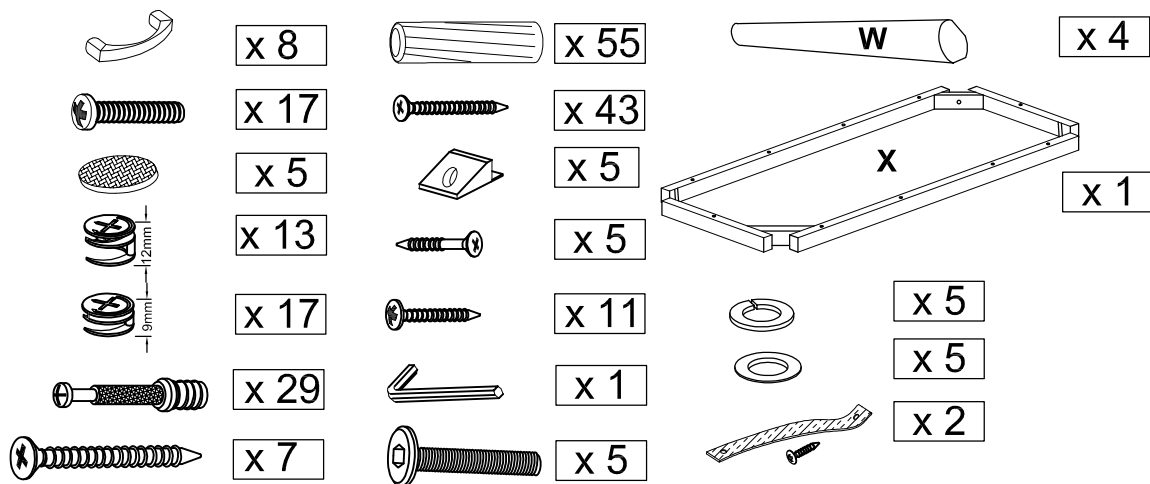
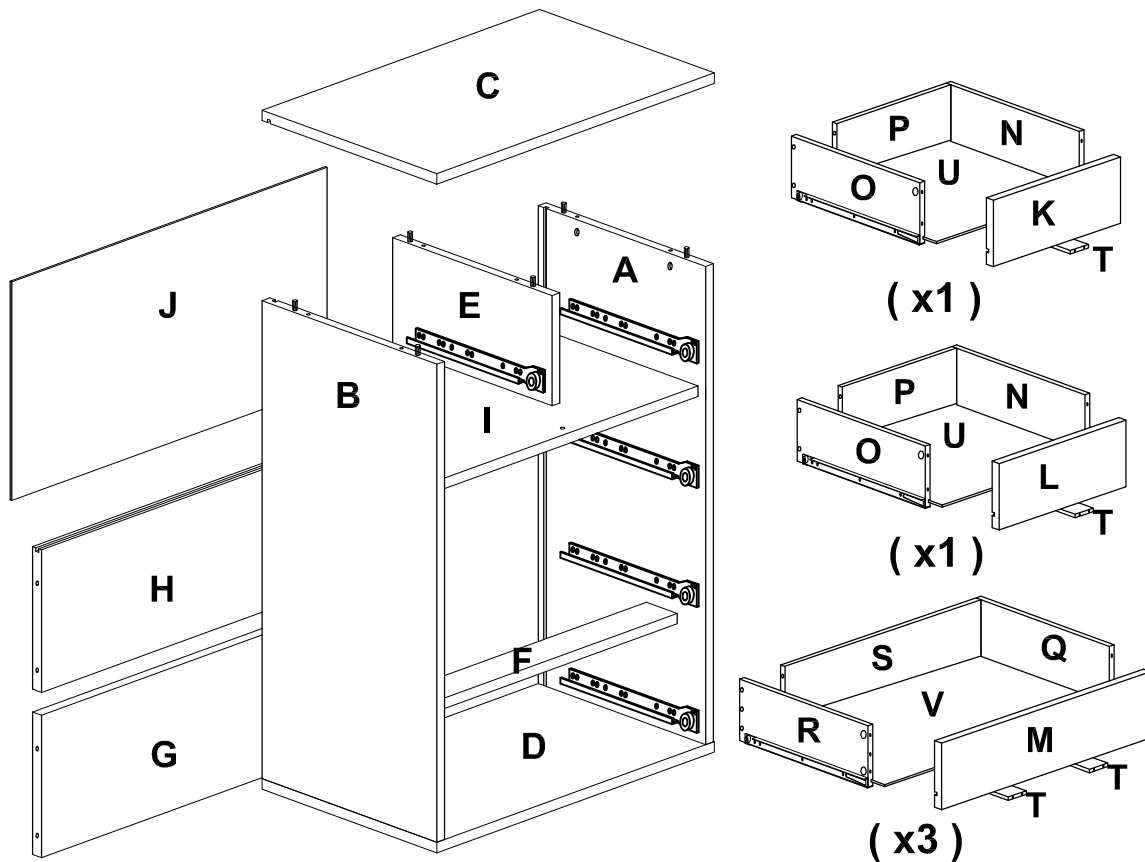
# Hardware

Label	Picture	Description	QTY
①		Handle	8
②		Pan Head Bolt (M4 x 19mm)	17
③		Leveler	5
④		Large Camlock (15 X 12mm)	13
⑤		Small Camlock (15 X 9mm)	17
⑥		Cam Bolt	29
⑦		Flat Head Screws (M8 x 38mm)	7
⑧		Wood Dowel (Ø6 X 30mm)	55
⑨		Flat Head Screws (M3.5 x 25mm)	43
⑩		Backply Stopper	5
⑪		Flat Head Screws (M3 x 20mm)	5
⑫		Pan Head Screws (M8 x 30mm)	11
⑬		Allen Wrench (M5)	1
⑭		Allen Head Bolt (M8 X 70MM)	5
⑮		Spring Washer	5
⑯		Flat Washer	5

Label	Picture	Description	QTY
17		Anti Tip Strap + Screw	2
18		Screw Driver (Not Provided)	1

# Assembly Preparation

Before Beginning Assembly



• Read instructions, cover to cover-



• Have 2 adults on hand for assembly-



• Do not assemble on flooring or carpet-



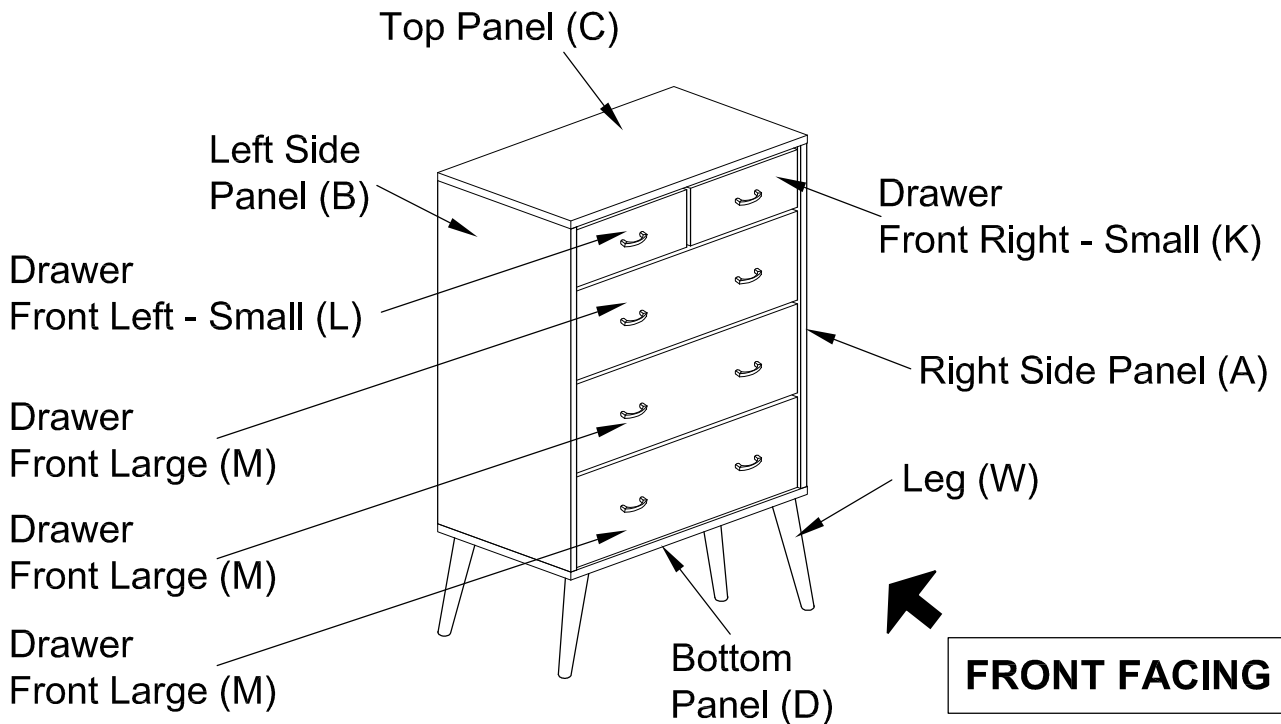
• Assemble on a clean non-marring surface (packing foam)-



• Save all packaging until finished-

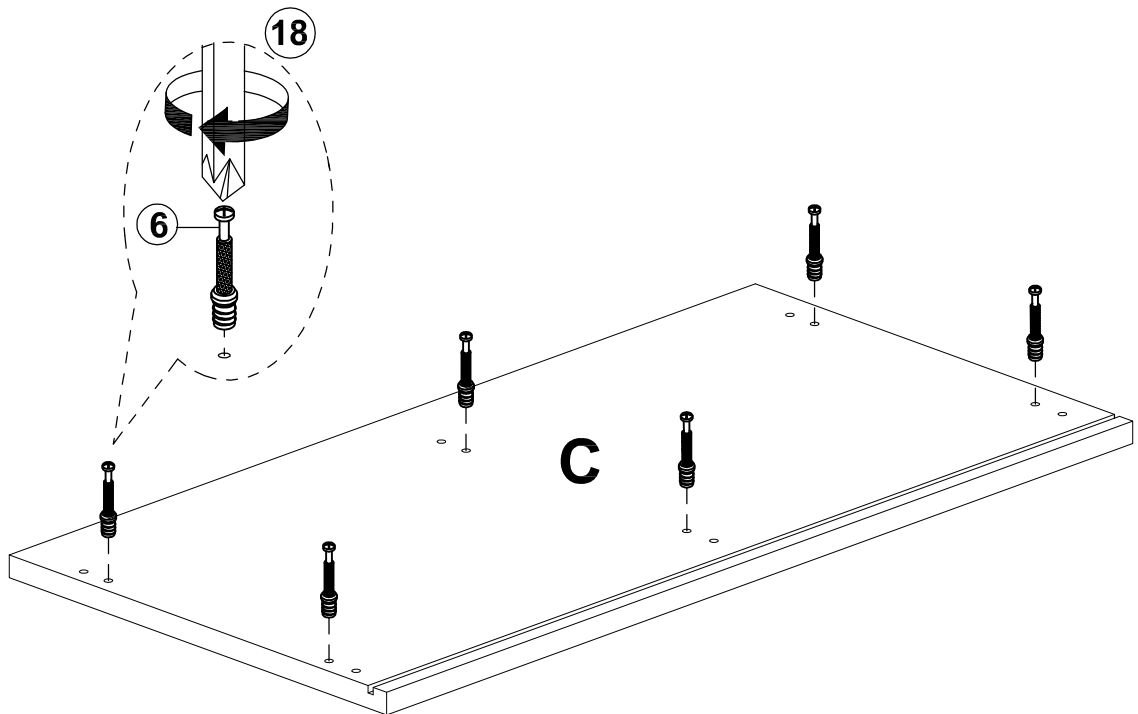
# Assembly Steps

## Overview



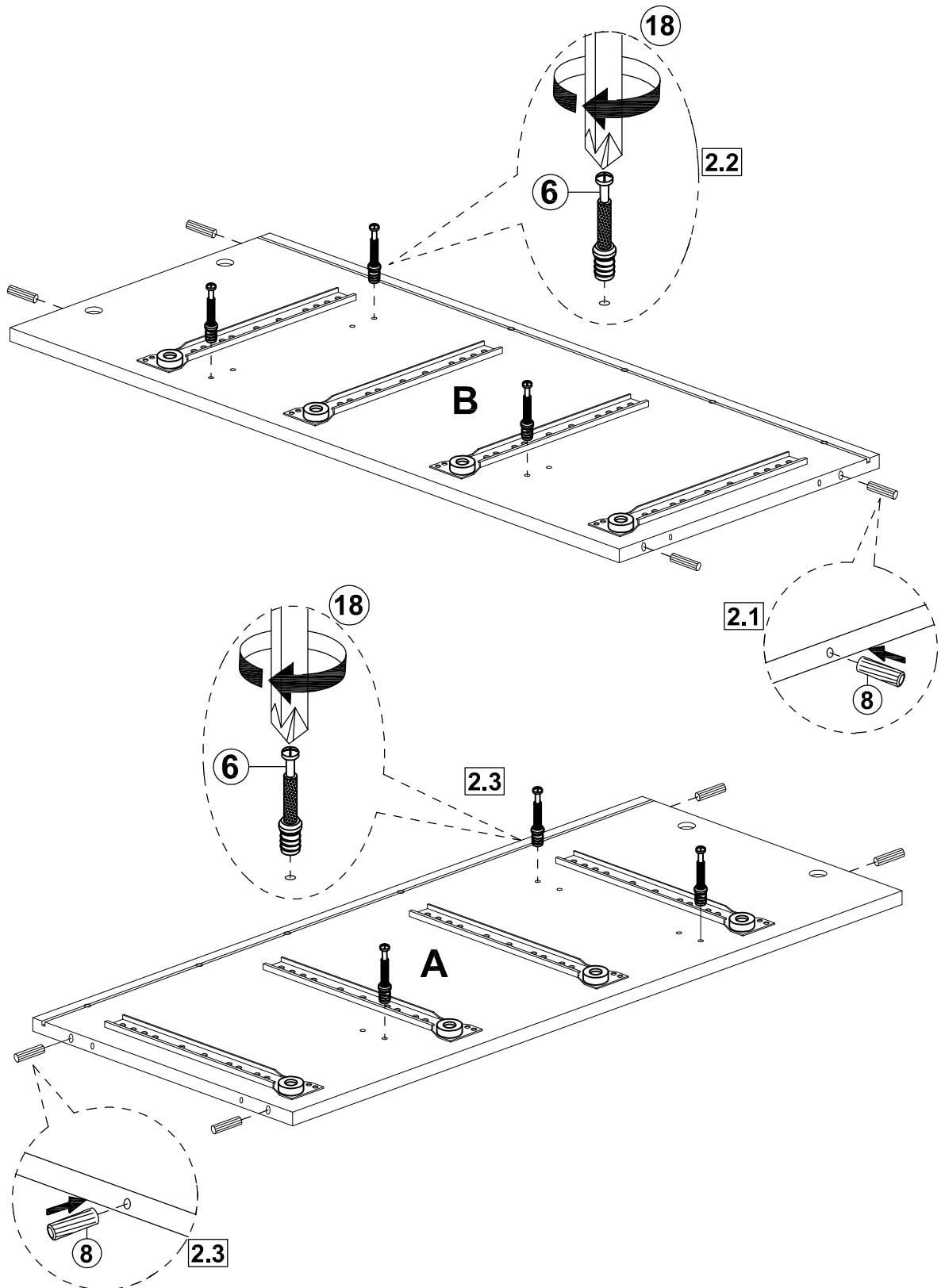
This Chest has multiple parts and may require up to 60 minutes to assemble. To give you an overview of the Chest, the above picture is to help you put the various parts into perspective. Please read through the instructions here below to familiarize yourself with the parts and steps before assembly.

### Step 1



Unpack and place all parts on a clean, non-marring surface.  
Attach Cam Bolts (6) to the mounting positions on the Top Panel (C) with a Screw Driver (18).

## Step 2

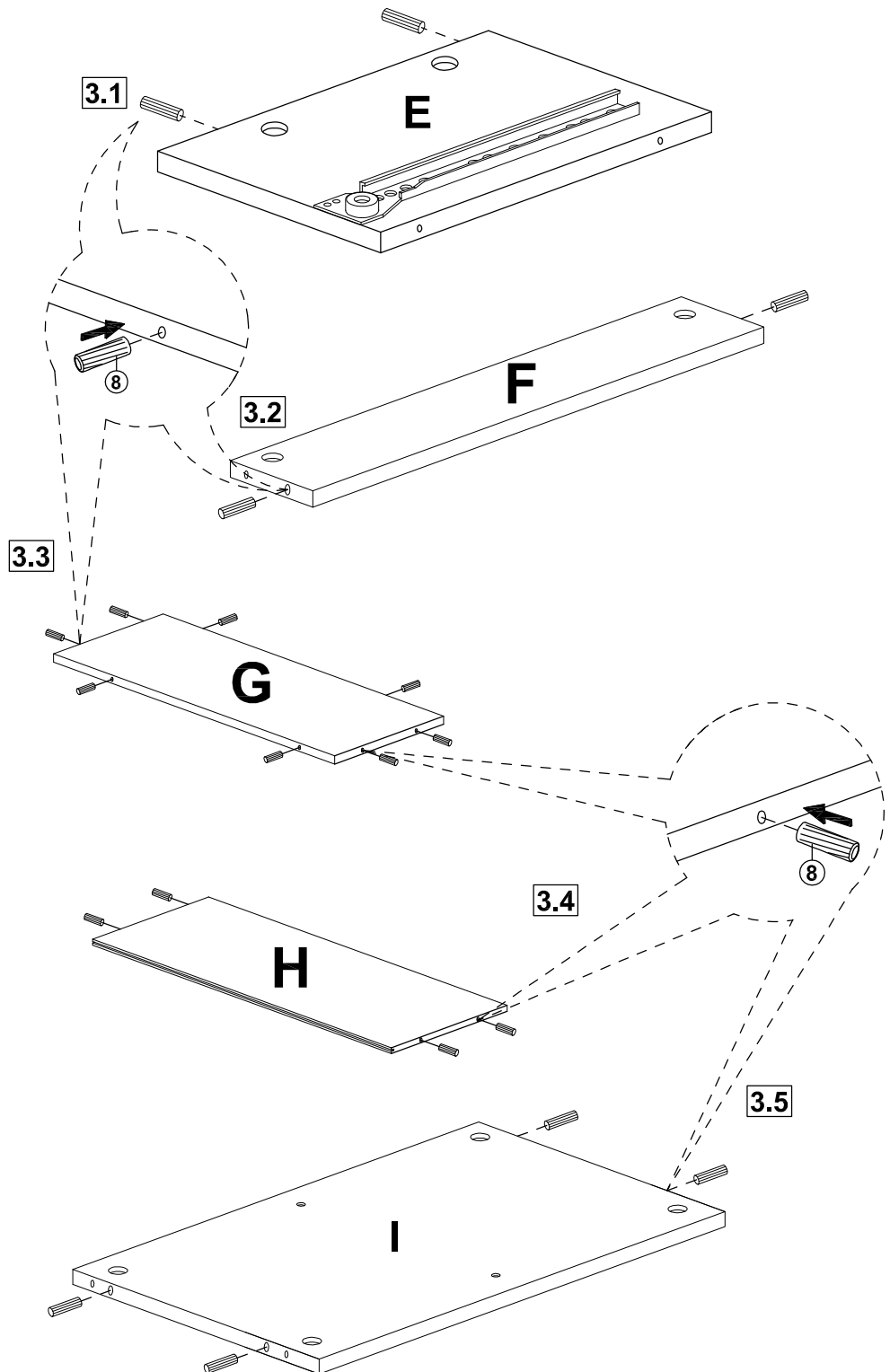


**2.1)** Insert Wood Dowels (8) into the mounting positions on the side edges of the Left Side Panel (B).

**2.2)** Attach Cam Bolts (6) into the mounting positions on Left Side Panel (B) with a Screw Driver (18).

**2.3)** Repeat the same process with Right Side Panel (A).

## Step 3



**3.1)** Insert Wood Dowels (8) into the mounting positions on the side edges of the Centre Panel (E).

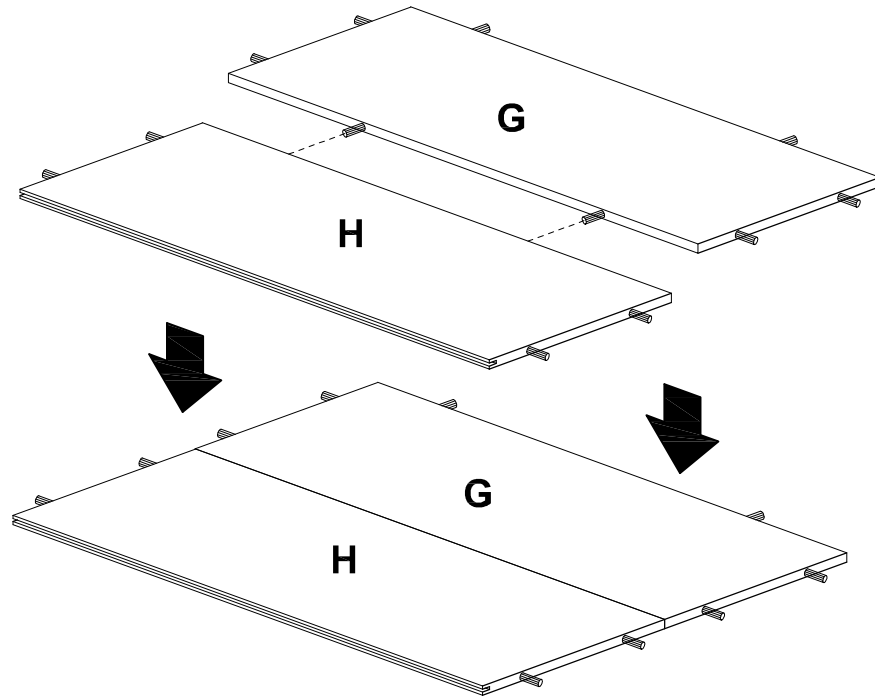
**3.2)** Insert Wood Dowels (8) into the mounting positions on the side edges of the Front Support (F).

**3.3)** Insert Wood Dowels (8) into the mounting positions on the side edges of the Back Support-A (G).

**3.4)** Insert Wood Dowels (8) into the mounting positions on the side edges of the Back Support-B (H).

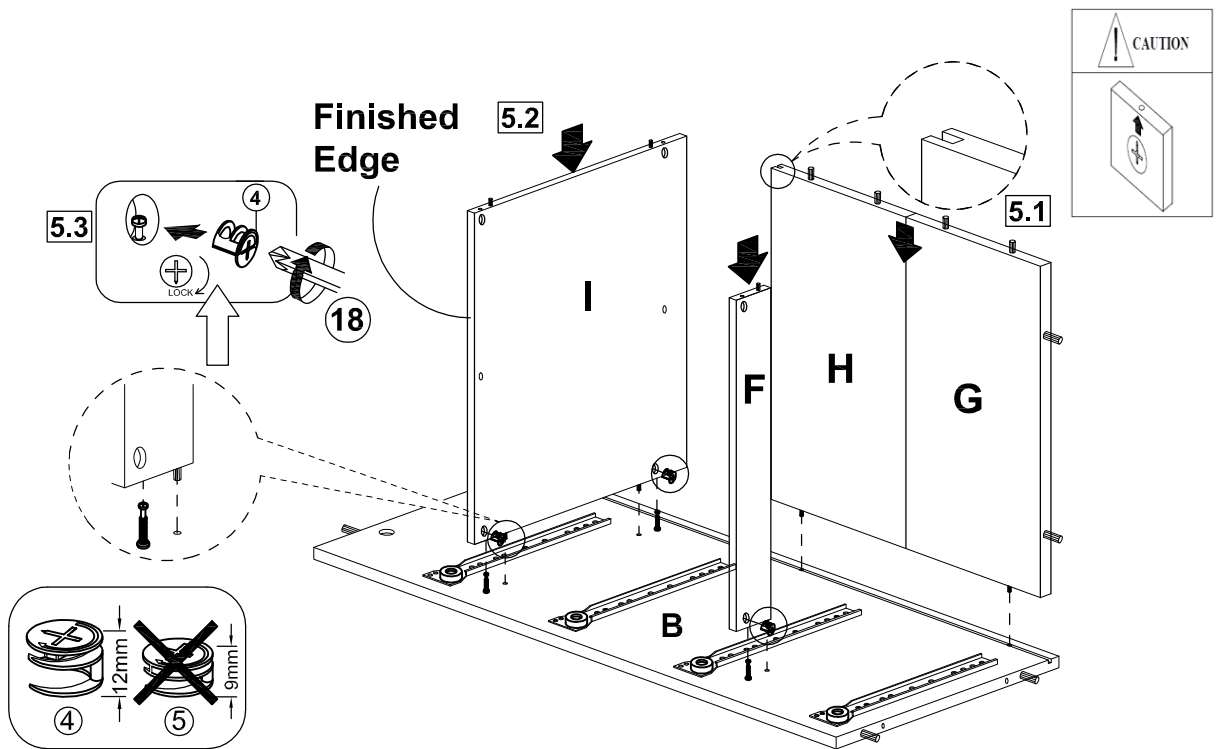
**3.5)** Insert Wood Dowels (8) into the mounting positions on the side edges of the Fixed Panel (I).

## Step 4



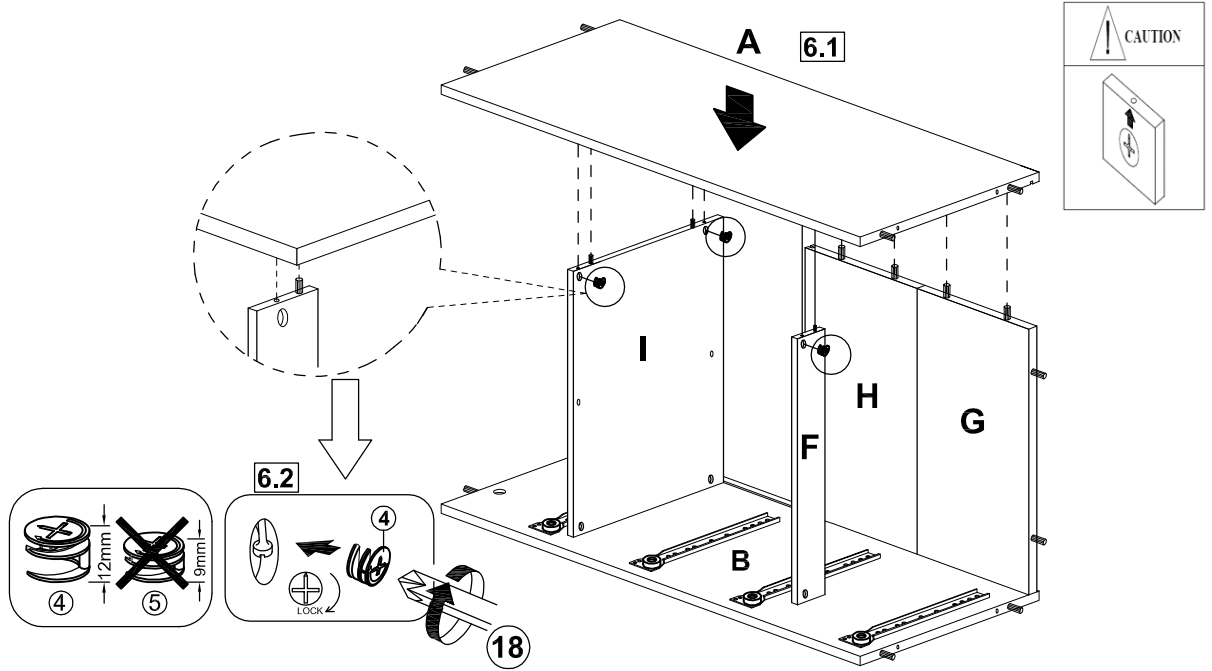
Positioning and join Back Support-A (G) and Back Support-B (H) together into the mounting positions as shown.

## Step 5



- 5.1)** Position Back Support-A (G) and Back support-B (H) to Left Side Panel (B) as shown.
- 5.2)** Attach Fixed Panel (I) and Front Support (F) to Left Side Panel (B) via the wood dowels and the Cam-bolts, respectively.
- 5.3)** Insert Large Cam-locks (④) into the mounting positions on Fixed Panel (I) and Front Support (F) and turn clockwise to lock onto the cam-bolts using a Screw Driver (⑱).
- CAUTION:** Insert the Cam-locks (④) per the correct orientation as indicated in the above picture.

## Step 6

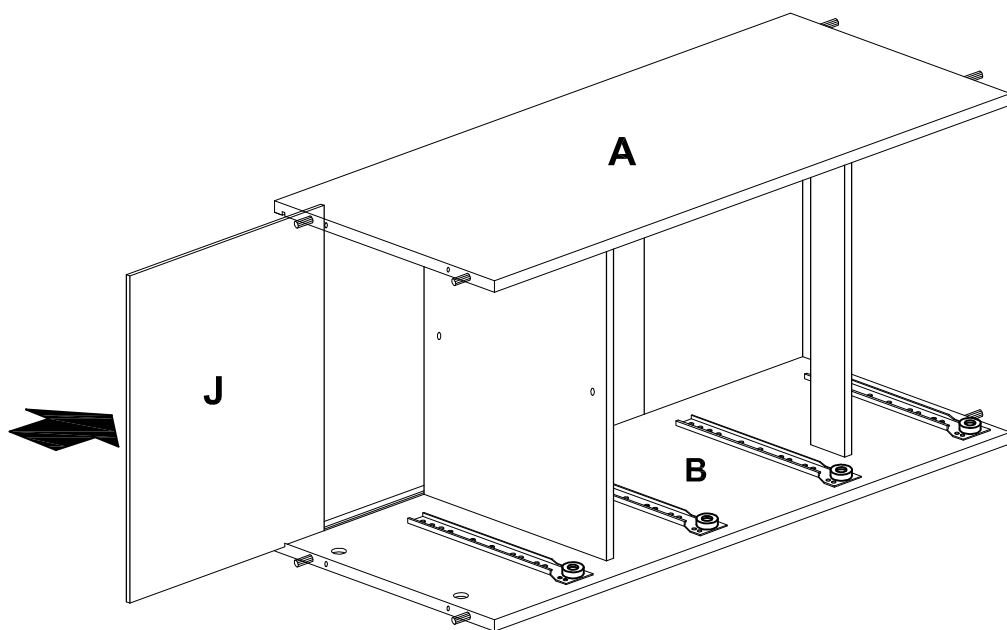


**6.1)** Attach Right Side Panel (A) to Back Support-A (G), Back support-B (H), Fixed Panel (I) and Front Support (F) via the wood dowels and the Cam-bolts, respectively.

**6.2)** Use Large Cam-locks (4) to fasten Fixed Panel (I) and Front Support (F) using a Screw Driver (18).

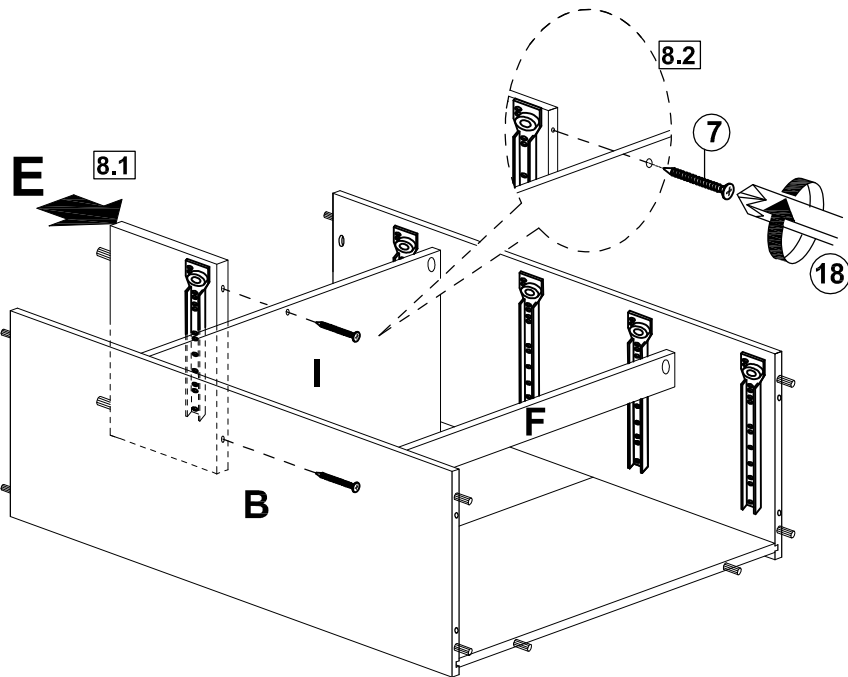
**CAUTION:** Insert the Cam-locks (4) per the correct orientation as indicated in the above picture.

## Step 7



Slide the Back Panel (J) into the grooves on Left Side Panel (B) and Right Side Panel (A) as shown.

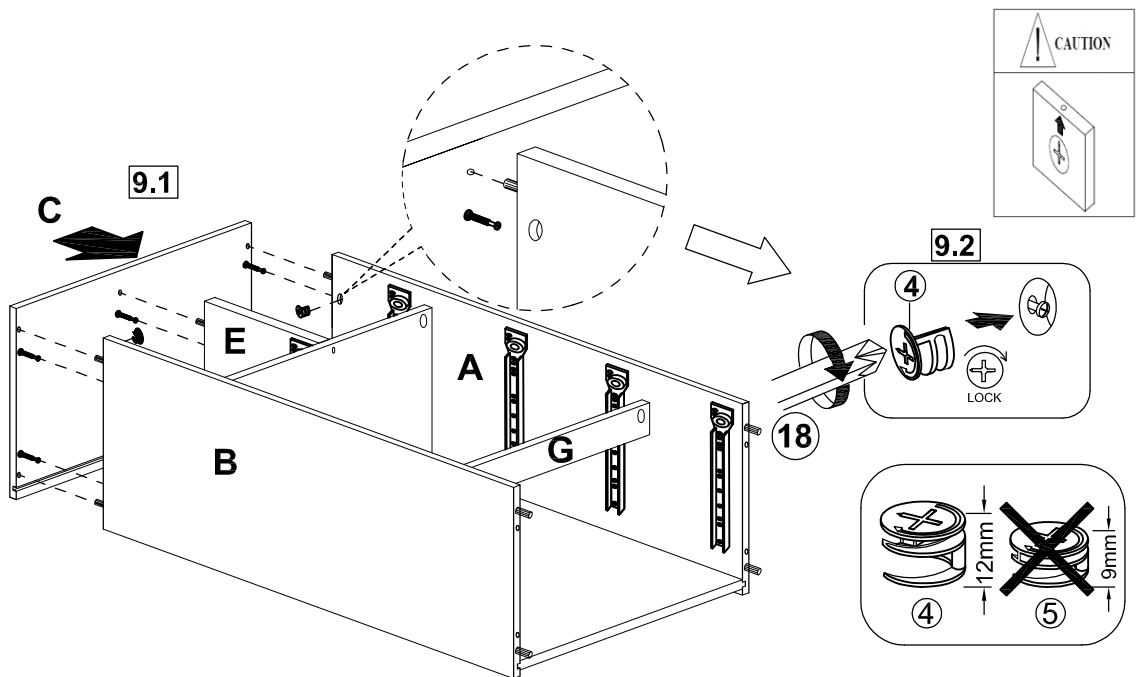
## Step 8



**8.1)** Attach Centre Panel (E) to Fixed Panel (I) via the wood dowels, respectively.

**8.2)** Use Flat Head Screws (7) to fasten Centre Panel (E) to Fixed Panel (I) using a Screw Driver (18).

## Step 9

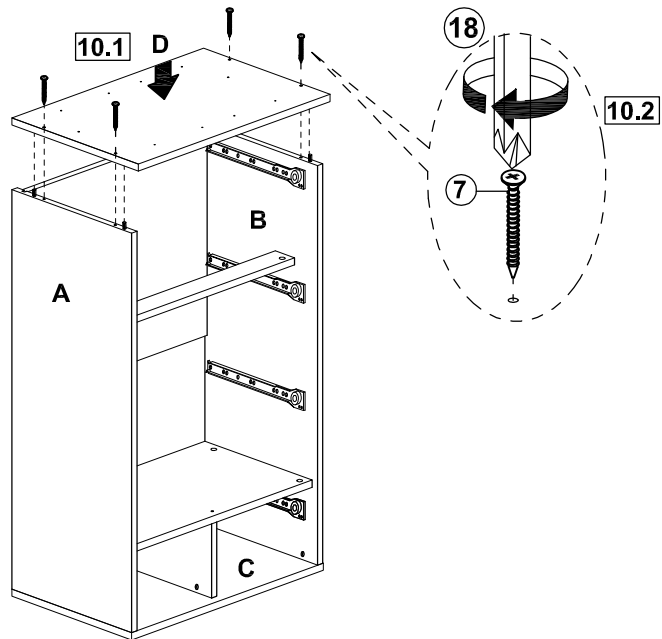


**9.1)** Attach Top Panel (C) to Right Side Panel (A), Left Side Panel (B) and Centre Panel (E) via the wood dowels and the Cam-bolts of Right Side Panel (A), Left Side Panel (B) and Centre Panel (E).

**9.2)** Insert Large Cam-locks (4) into the mounting positions on Right Side Panel (A), Left Side Panel (B) and Centre Panel (E) and turn clockwise to lock onto the cam-bolts using a Screw Driver (18).

**CAUTION:** Insert the Cam-locks (4) per the correct orientation as indicated in the above picture.

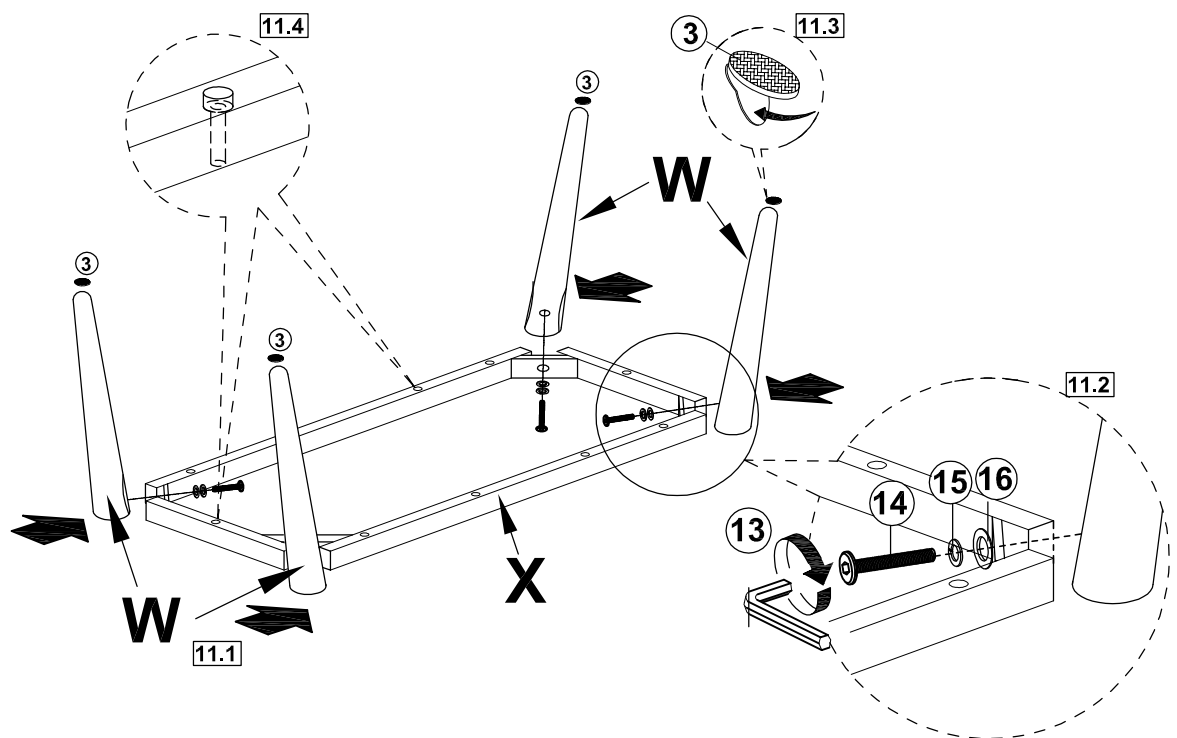
## Step 10



**10.1)** Attach Bottom Panel (D) to Right Side Panel (A) and Left Side Panel (B) via the wood dowels on the respective parts.

**10.2)** Use Flat Head Screws (7) to fasten Bottom Panel (D) to Right Side Panel (A) and Left Side Panel (B) using a Screw Driver (18).

## Step 11



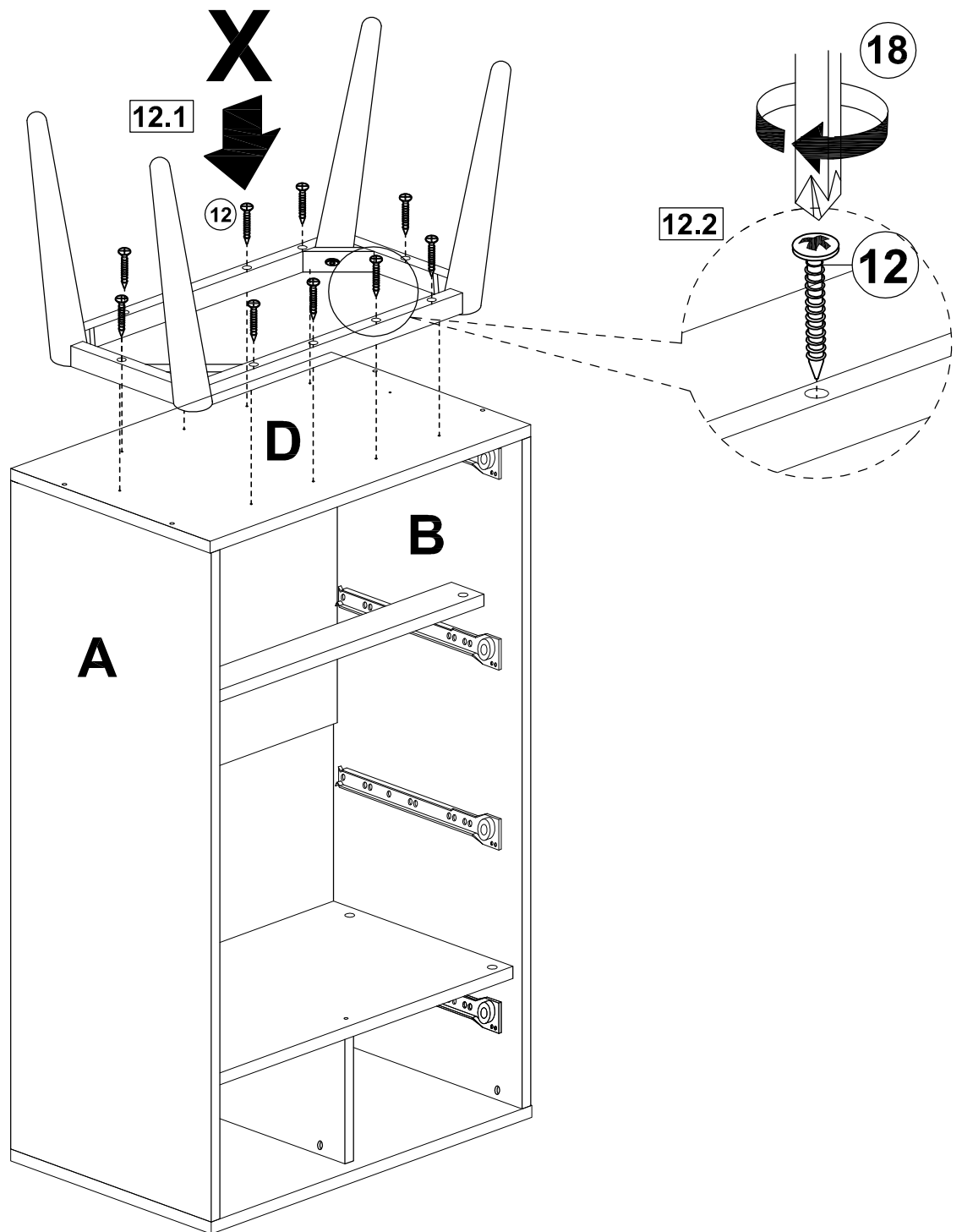
**11.1)** Identify and position the Legs (W) to Wooden Frame (X) as shown.

**11.2)** Use Allen Wrench (13) to fasten Allen Head Bolts (14) fitted with Spring Washers (15) and Flat Washers (16) to fasten each leg to the wooden frame. Do not tighten the bolts completely until all bolts are in place on each leg.

**11.3)** Paste a leveler (3) on the bottom of each Leg (W).

**11.4) Note :** Bigger holes are facing up when assembly.

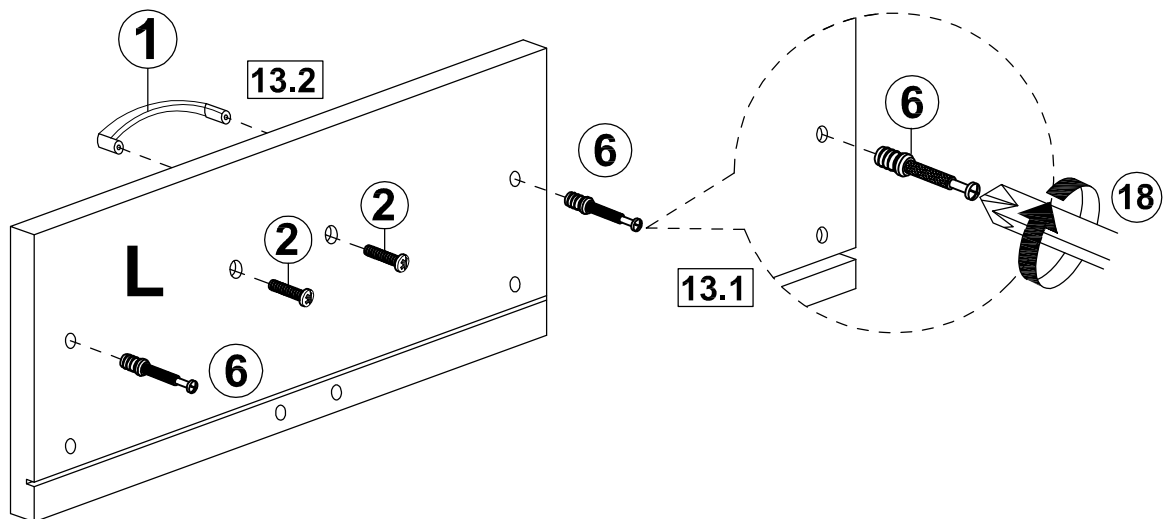
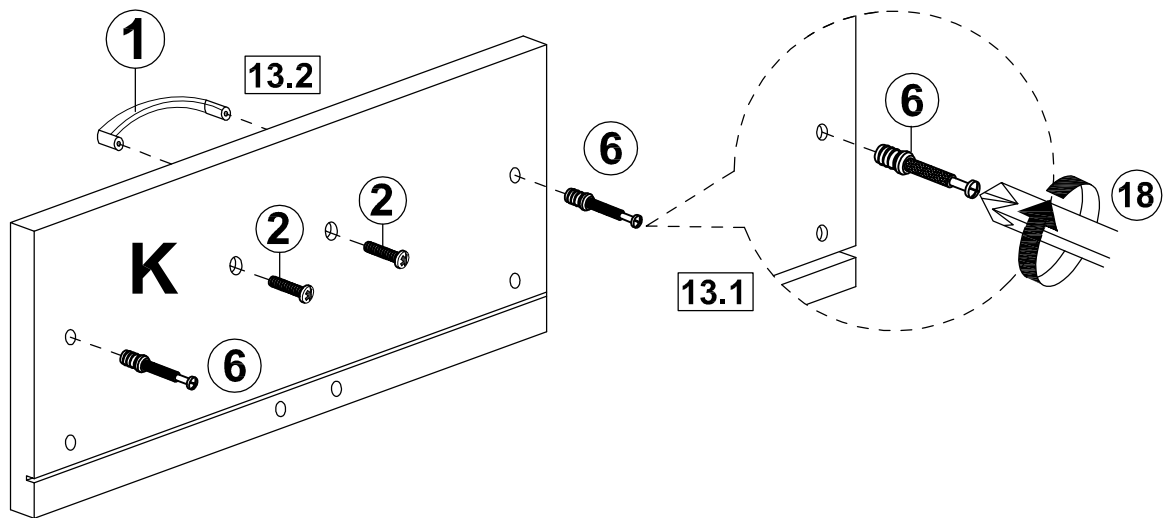
## Step 12



**12.1)** Position the Leg (W) and Wooden Frame (X) assembly as shown and align the mounting positions on the Wooden Frame (X) to the mounting positions on the bottom side of Bottom Panel (D).

**12.2)** Use Pan Head Screws (12) to fasten Wooden Frame (X) using a Screw Driver (18).

## Step 13

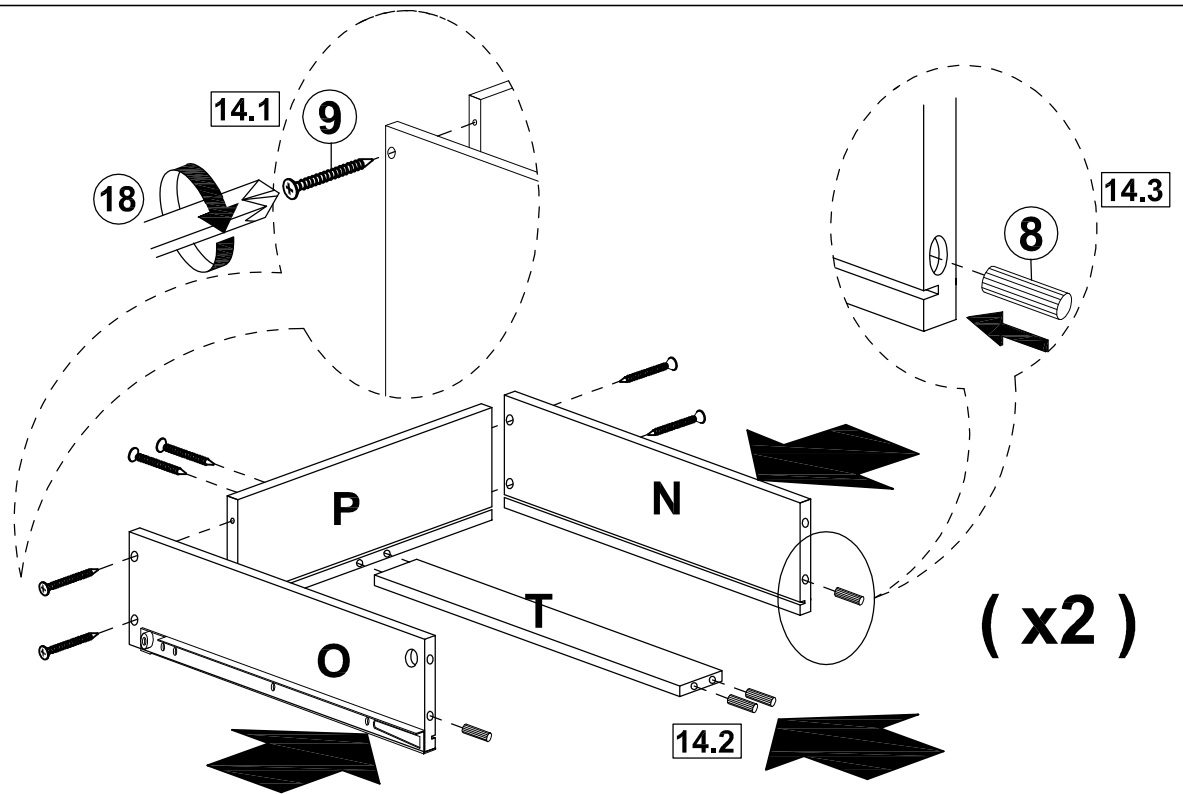


**13.1)** Use a Screw Driver (18) to screw Cam Bolts (6) into the mounting positions on the inside face of Drawer Front Right - Small (K) and Drawer Front Left - Small (L) as shown.

Note : It is easier to screw in Cam Bolts with the drawer front laid flat down - take care not to scratch or damage the front face of the Drawer Front panel.

**13.2)** Position Drawer Front Right - Small (K) and Drawer Front Left - Small (L) vertically as shown. Align the mounting positions on Drawer Handles to the bolt holes on Drawer Front Right - Small (K) and Drawer Front Left - Small (L). Insert Pan Head Bolts (2) through the mounting positions at Drawer Front Right - Small (K) and Drawer Front Left - Small (L) to thread into the bolt holes on the Drawer Handles (1). Use a screw driver to screw in Pan Head Bolts - do not tighten the bolts fully until both bolts are in place.

## Step 14



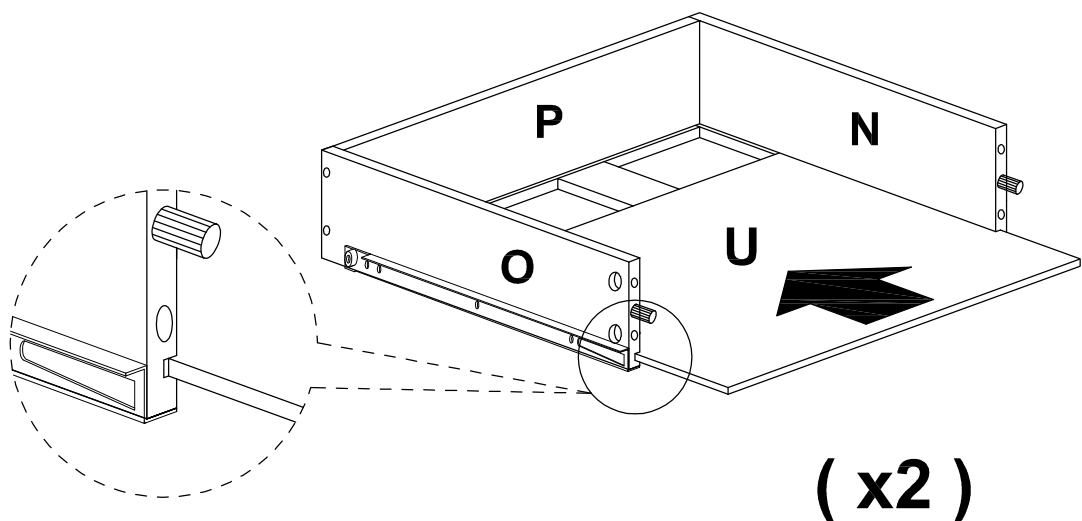
**14.1)** Attach Drawer Right Panel - Small (N) and Drawer Left Panel - Small (O) to Drawer Back Panel - Small (P) as shown-note the grooves on each panel are at the bottom. Use Flat Head Screws (9) to fasten the side panels to the back panel.

Do not tighten screws completely until all screws are in place in each panel.

**14.2)** Align the mounting positions on Drawer Bottom Support (T) to mounting positions on Drawer Back Panel - Small (P) and use Flat Head Screws (9) to fasten Drawer Bottom Support (T) to Drawer Back Panel - Small (P).

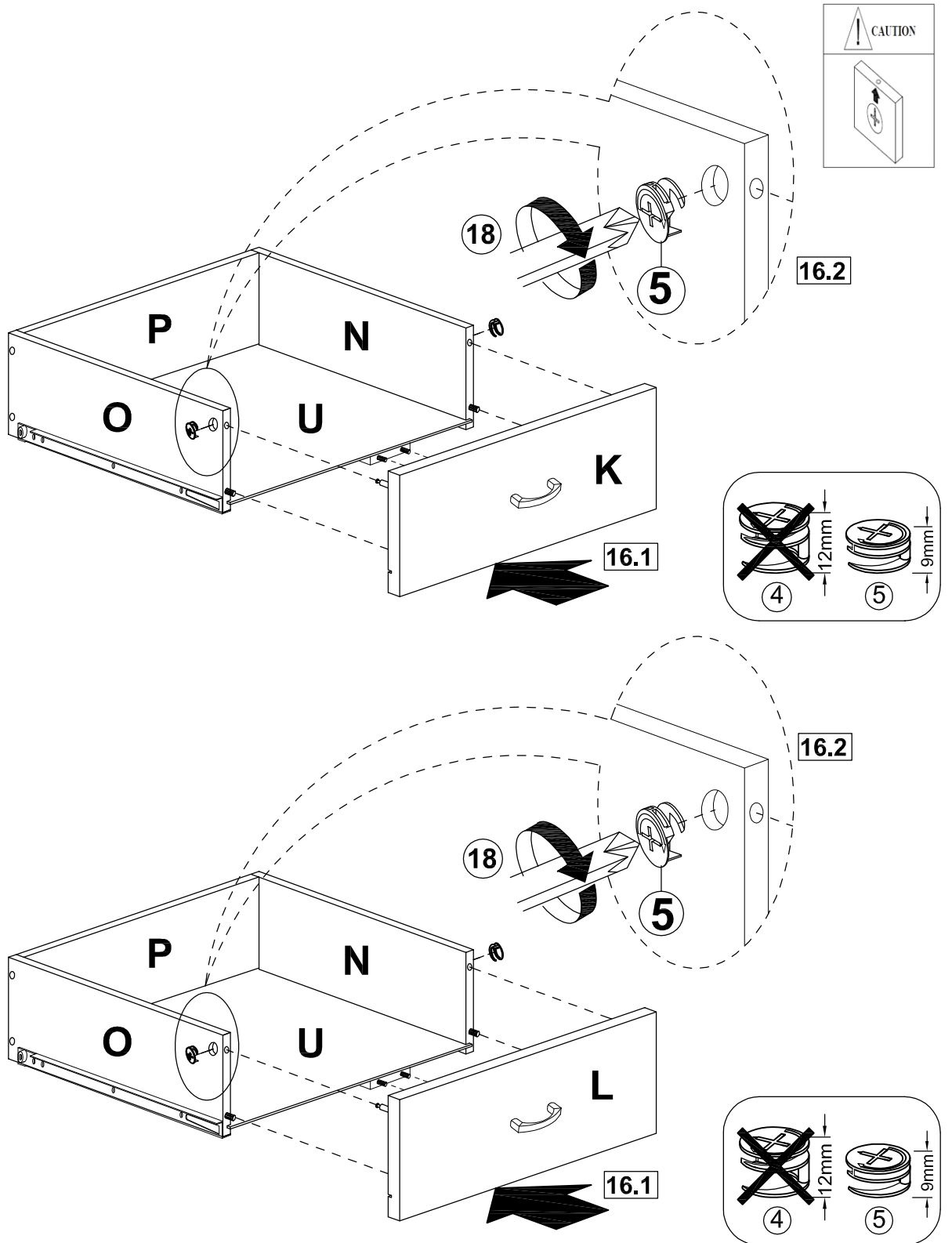
**14.3)** Insert Wood Dowels (8) into the mounting positions on the front edge of Drawer Right Panel - Small (N), Drawer Left Panel - Small (O) and Drawer Bottom Support (T).

## Step 15



Slide the Drawer Base-Small (U) into the grooves on Drawer Right Panel - Small (N), Drawer Back Panel - Small (P) and Drawer Left Panel - Small (O).

## Step 16

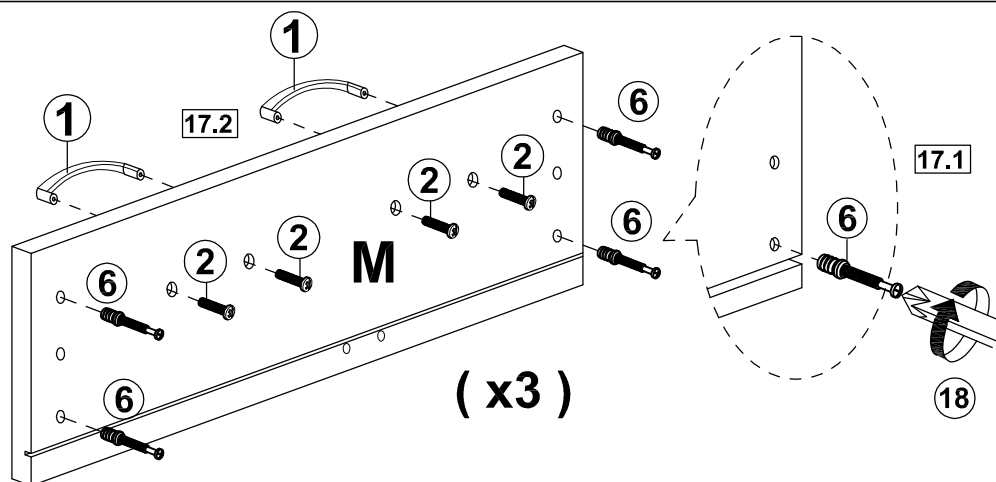


**16.1)** Attach Drawer Front Right-Small (K) and Drawer Front Left -Small (L) to Drawer Right Panel - Small (N) and Drawer Left Panel - Small (O) via the cam-bolts and the wood dowels on the respective parts. Check that the front edge of Drawer Base-Small (U) fits into the grooves on Drawer Front Right-Small (K) and Drawer Front Left-Small (L).

**16.2)** Insert Small Cam-locks (5) into the mounting positions on Drawer Right Panel - Small (N) and Drawer Left Panel - Small (O) and turn clockwise to lock onto the cam-bolts.

**CAUTION:** Insert the Cam-locks (5) per the correct orientation as indicated in the above picture.

## Step 17

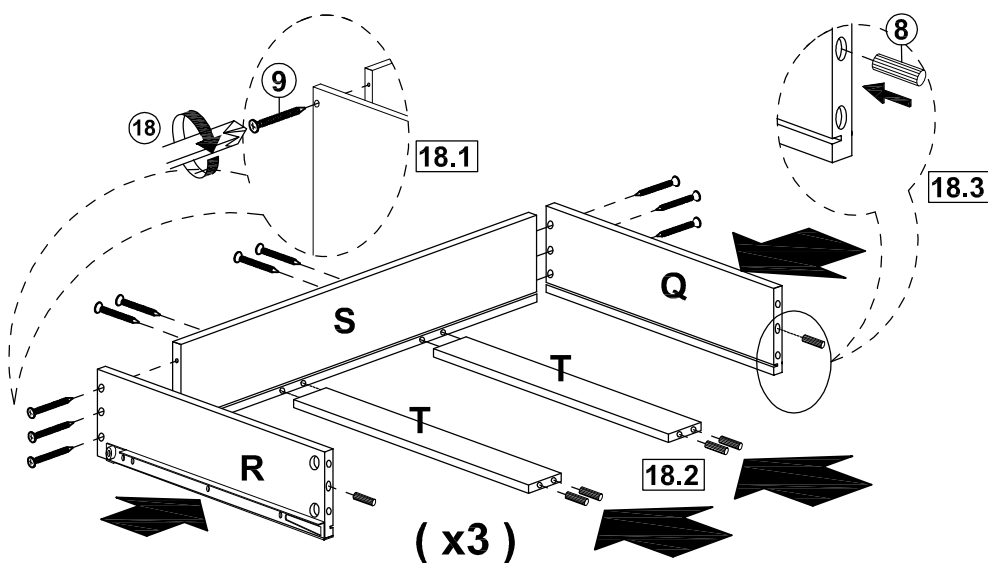


**17.1)** Use a Screw Driver (18) to screw Cam Bolts (6) into the mounting positions on the inside face of Drawer Front - Large (M) as shown.

Note : It is easier to screw in Cam Bolts with the drawer front laid flat down - take care not to scratch or damage the front face of the Drawer Front panel.

**17.2)** Position Drawer Front - Large (M) vertically as shown. Align the mounting positions on Drawer Handles to the bolt holes on Drawer Front - Large (M). Insert Pan Head Bolts (2) through the mounting positions at Drawer Front - Large (M) to thread into the bolt holes on the Drawer Handles (1). Use a screw driver to screw in the Pan Head Bolts - do not tighten the bolts fully until both bolts are in place.

## Step 18



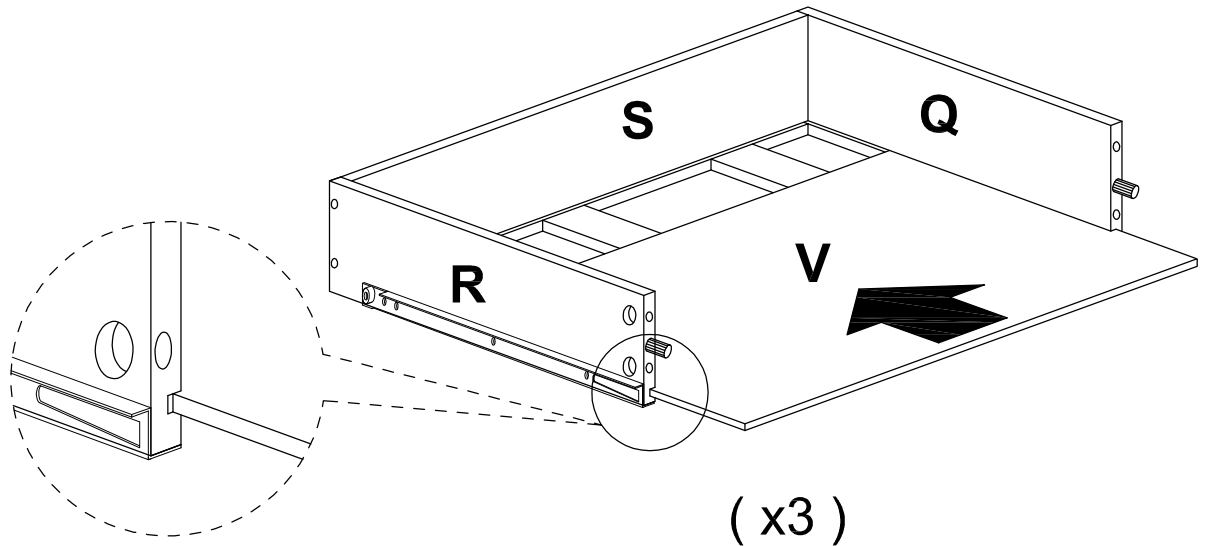
**18.1)** Attach Drawer Right Panel - Large (Q) and Drawer Left Panel - Large (R) to Drawer Back Panel - Large (S) as shown-note the grooves on each panel are at the bottom. Use Flat Head Screws (9) to fasten side panels to back panel.

Do not tighten screws completely until all screws are in place in each panel.

**18.2)** Align the mounting positions on Drawer Bottom Support (T) to the mounting positions on Drawer Back Panel - Large (S) and use Flat Head Screws (9) to fasten Drawer Bottom Support (T) to Drawer Back Panel - Large (S).

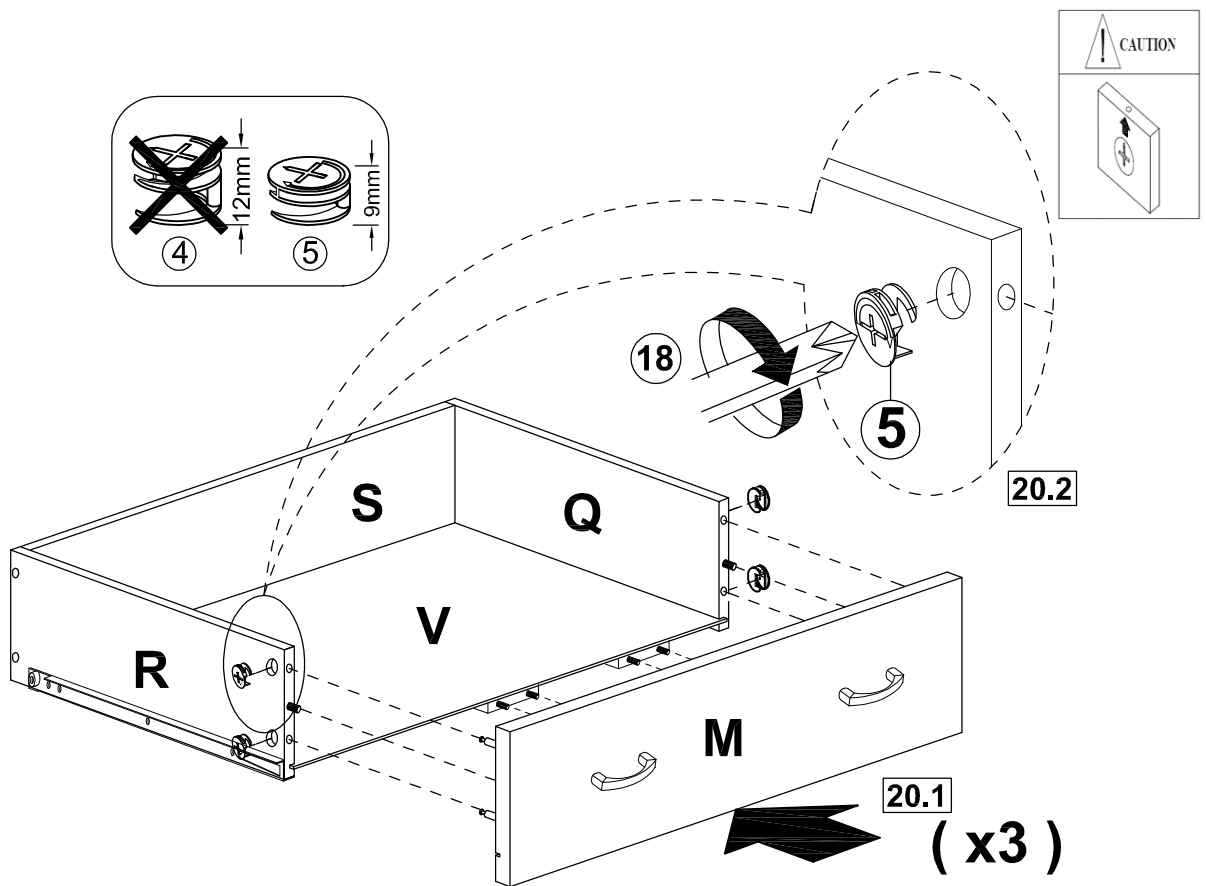
**18.3)** Insert Wood Dowels (8) into the mounting positions on the front edge of Drawer Right Panel - Large (Q), Drawer Left Panel - Large (R) and Drawer Bottom Support (T).

## Step 19



Slide the Drawer Base-Large (V) into the grooves on Drawer Right Panel - Large (Q), Drawer Back Panel - Large (S) and Drawer Left Panel - Large (R).

## Step 20

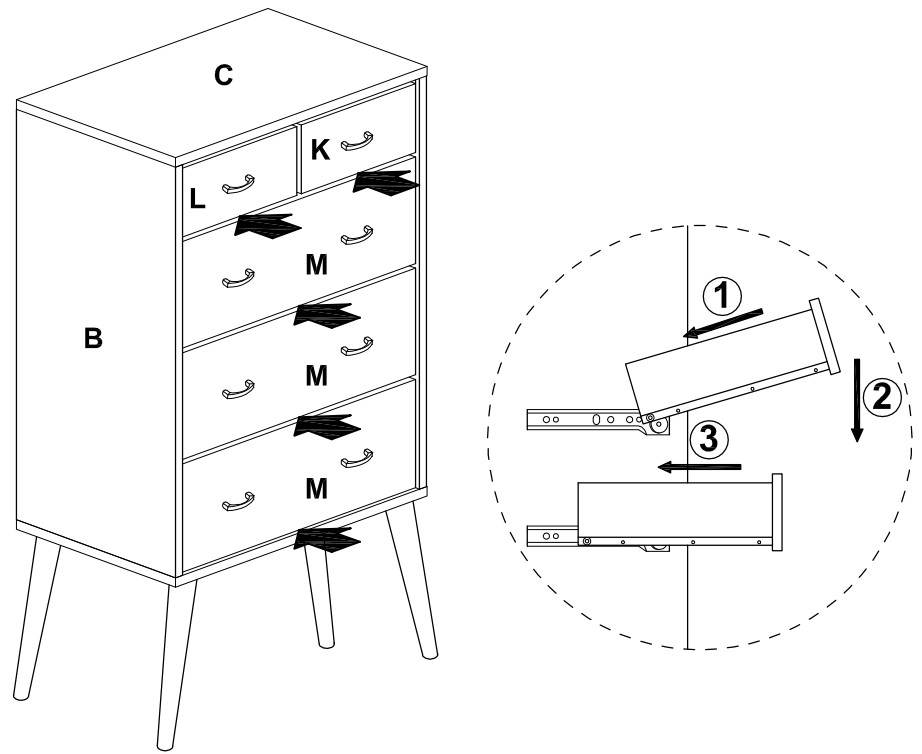


**20.1)** Attach Drawer Front Right-Large (M) to Drawer Right Panel - Large (Q) and Drawer Left Panel - Large (R) via the cam-bolts and the wood dowels on the respective parts. Check that the front edge of Drawer Base-Large (V) fits into the groove on Drawer Front -Large (M) .

**20.2)** Insert Small Cam-locks (5) into the mounting positions on Drawer Right Panel - Large (Q) and Drawer Left Panel - Large (R) and turn clockwise to lock onto the cam-bolts.

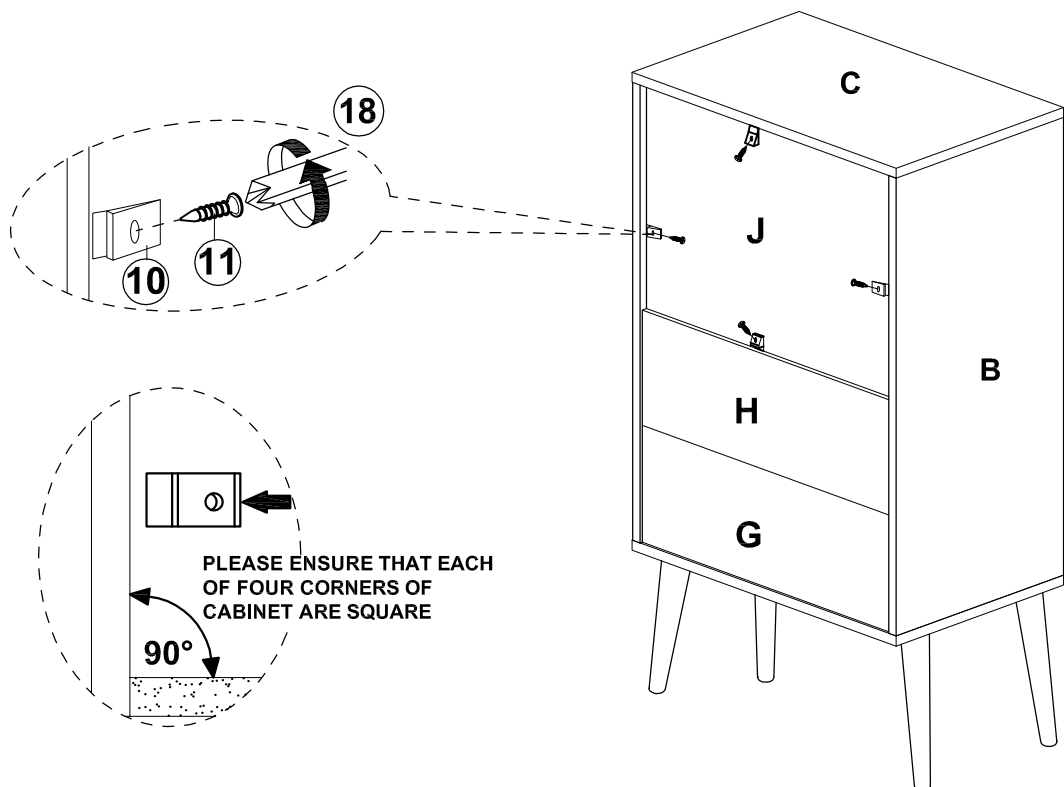
**CAUTION:** Insert the Cam-locks (5) per the correct orientation as indicated in the above picture.

## Step 21



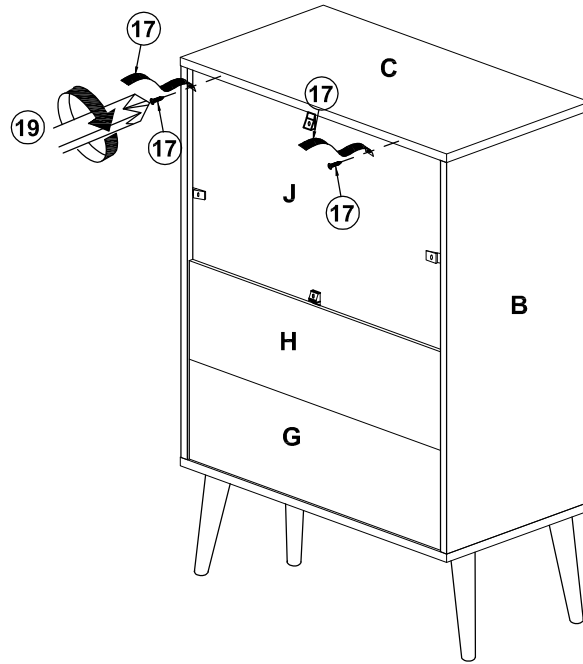
Place the Drawer into the Chest assembly by aligning the rails.

## Step 22



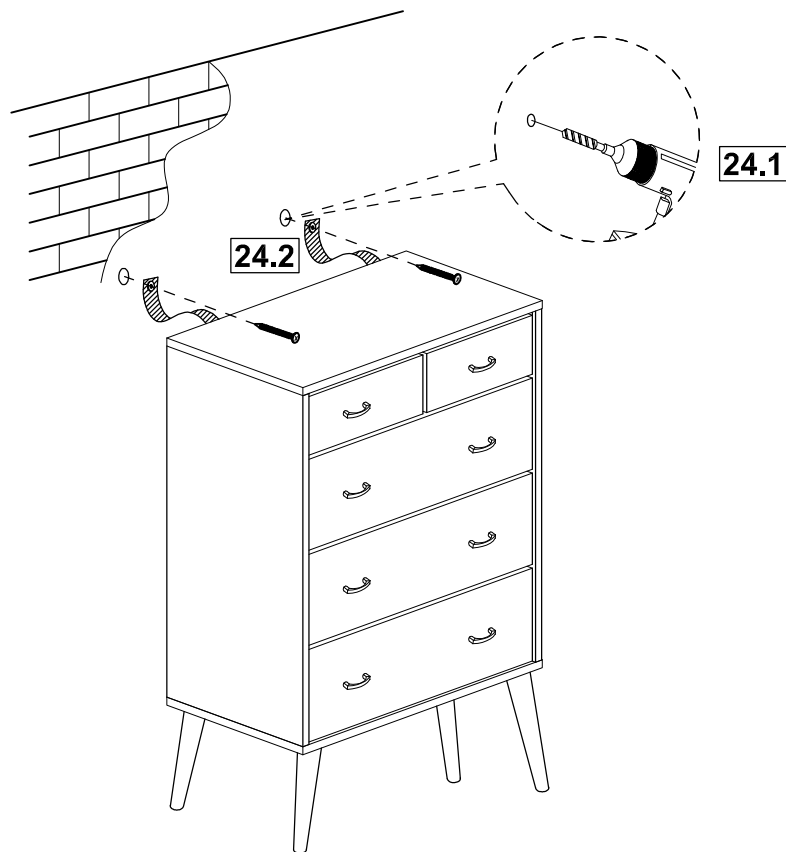
Use Screw Driver (18) to affix Backply Stoppers (10) and Flat Head Screws (11) in the location on Back Panel (J) as shown.

## Step 23



Insert the screws through Straps (17) at the marked sticker area on back side edge on the Top Panel (C) and drive in the screws using a Screw Driver (18).

## Step 24



**24.1)** Drill a hole in the wall and insert the wall anchor / Rawl plug.

**24.2)** Insert screws through the straps and drive the screws into a wall anchor / Rawl Plug

**NOTE :** Wall fixings are not supplied with this product as different wall materials require different types of fixing devices (such as Rawl plugs on brick work). You must use fixing devices suitable for the type of wall you intend to mount this product to. Please ensure that the head of any screw used has a diameter greater than the diameter of the mounting hole on the Anti-Tip Straps and that the fixing is safe and secure before use.

The screw supplied is to affix the Anti-Tip Strap to the cabinet.



## WARNING

Serious or fatal crushing injuries can occur from tipping furniture.  
To help prevent tip-over: **ALWAYS** secure this furniture to the wall using  
Cabinet Restraint Device.

See product instructions for more ways to help prevent furniture tip-over.



**Step 25**



Your Chest is ready for use.

## **Questions & Answers about Proposition 65**

### **• What is Proposition 65?**

**Proposition 65 requires businesses to provide warnings to Californians about significant exposures to chemicals that cause cancer, birth defects or other reproductive harm. These chemicals can be in the products that Californians purchase, in their homes or workplaces, or that are released into the environment. By requiring that this information be provided, Proposition 65 enables Californians to make informed decisions about their exposures to these chemicals. Proposition 65 also prohibits California businesses from knowingly discharging significant amounts of listed chemicals into sources of drinking water.**

**Proposition 65 requires California to publish a list of chemicals known to cause cancer, birth defects or other reproductive harm. This list, which must be updated at least once a year, has grown to include approximately 900 chemicals since it was first published in 1987.**

### **• What types of chemicals are on the Proposition 65 list?**

**The list contains a wide range of naturally occurring and synthetic chemicals that include additives or ingredients in pesticides, common household products, food, drugs, dyes, or solvents. Listed chemicals may also be used in manufacturing and construction, or they may be byproducts of chemical processes, such as motor vehicle exhaust.**