

JMR

FTBFCB-6103

FTBFCB-6104

FTBFCB-6105





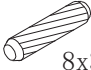




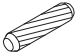



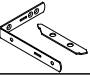
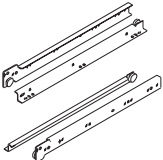




IMPORTANT, RETAIN FOR FUTURE REFERENCE: READ CAREFULLY

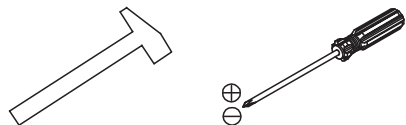
Notice:

1. Follow the installation instructions. Please confirm all accessories are preset before installation.

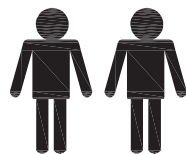
2. Do not fully tighten screws during initial assembly. Gently adjust the board to make them level. Only tighten after all pieces are correctly assembled.

3. If you encounter any problems during installation, please contact our customer service.

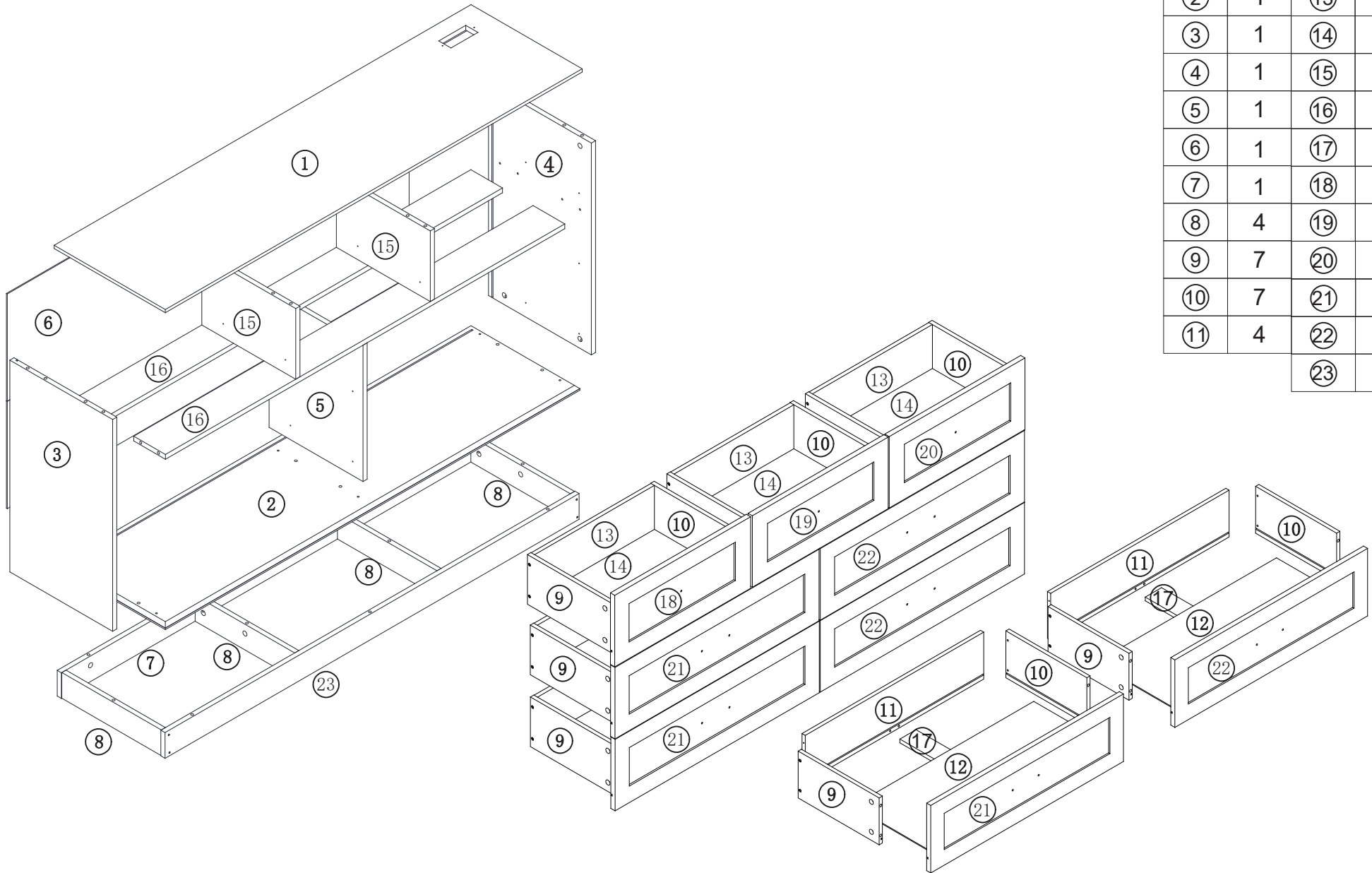
NO.	QTY.	LINEDRAWING	NO.	QTY.	LINEDRAWING
(A)	x82+8		(J)	x4	
(B)	x82+8		(K)	x8	 M4x8
(C)	x20+2	 8x30	(L)	x2	 3.5x14
(D)	x10+1	 3x16	(M)	x1	
(E)	x28+2	 4x35	(O)	x8	 6x30
(F)	x56+5	 3.5x12	(P)	x3	
(G)	x1		(Q)	x2	
(H)	x7		(R)	x4	 4x25
			(S)	x2	 M5x14
(I)	x2		(T)	x3	 M4x10



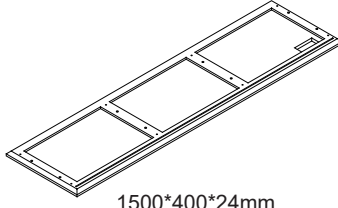
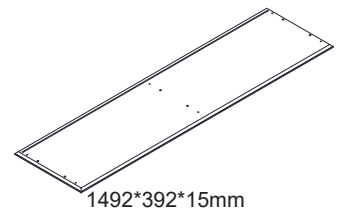
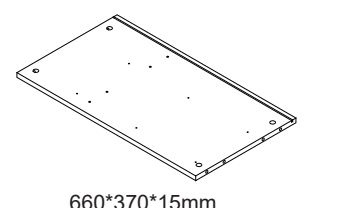
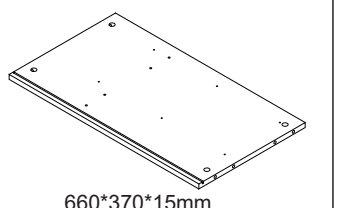
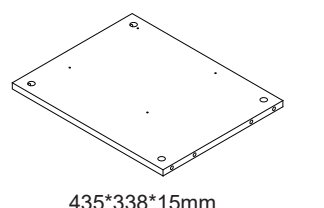
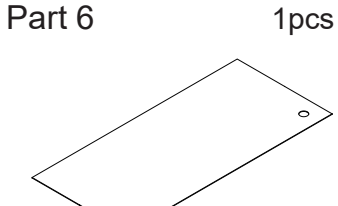
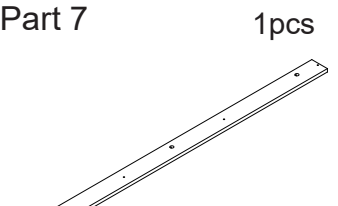
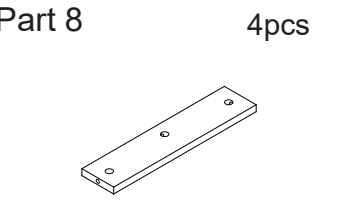
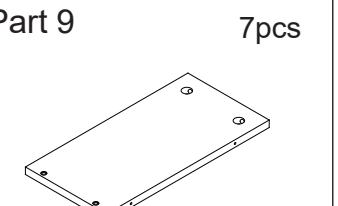
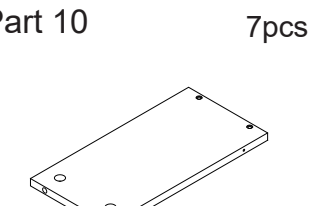
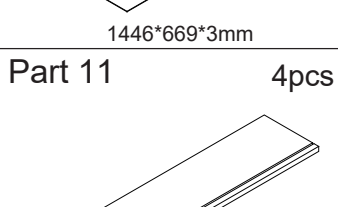
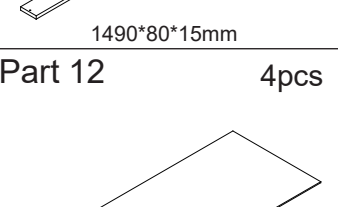
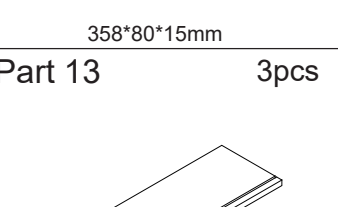
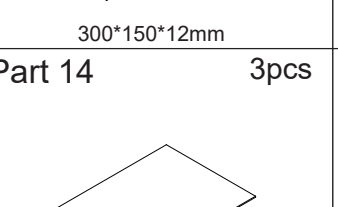
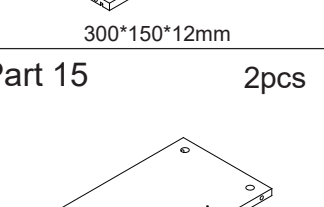
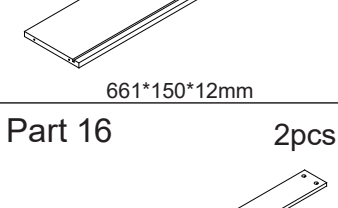
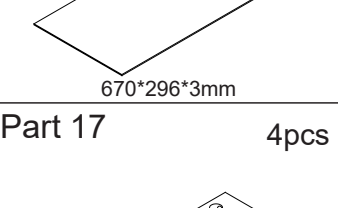
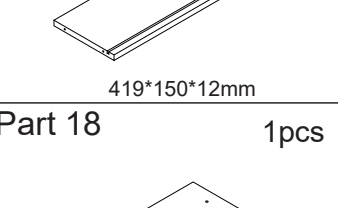
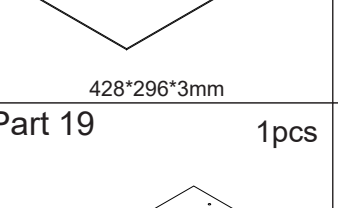
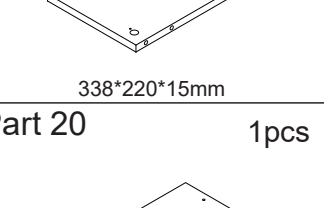
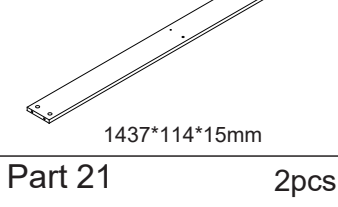
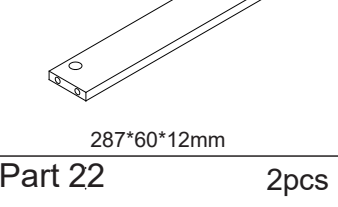
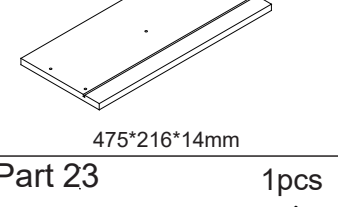
Hammer and Screwdriver are not included !!



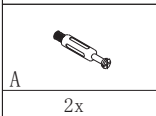
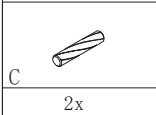
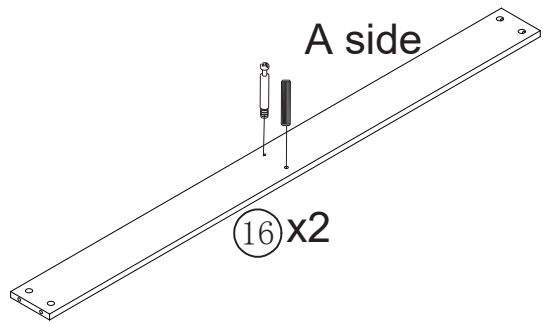
PARTS LIST



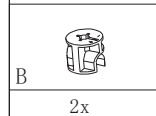
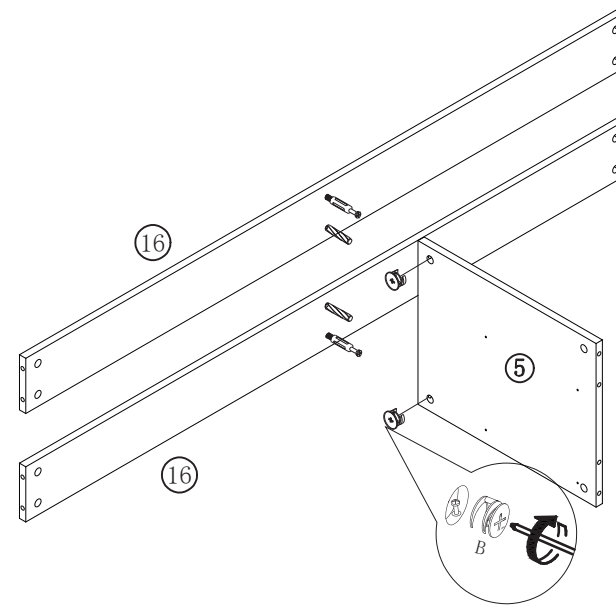
NO.	QTY.	NO.	QTY.
①	1	⑫	4
②	1	⑬	3
③	1	⑭	3
④	1	⑮	2
⑤	1	⑯	2
⑥	1	⑰	4
⑦	1	⑱	1
⑧	4	⑲	1
⑨	7	⑳	1
⑩	7	㉑	2
⑪	4	㉒	2
		㉓	1

<p>Part 1 1pcs</p>  <p>1500*400*24mm</p>	<p>Part 2 1pcs</p>  <p>1492*392*15mm</p>	<p>Part 3 1pcs</p>  <p>660*370*15mm</p>	<p>Part 4 1pcs</p>  <p>660*370*15mm</p>	<p>Part 5 1pcs</p>  <p>435*338*15mm</p>
<p>Part 6 1pcs</p>  <p>1446*669*3mm</p>	<p>Part 7 1pcs</p>  <p>1490*80*15mm</p>	<p>Part 8 4pcs</p>  <p>358*80*15mm</p>	<p>Part 9 7pcs</p>  <p>300*150*12mm</p>	<p>Part 10 7pcs</p>  <p>300*150*12mm</p>
<p>Part 11 4pcs</p>  <p>661*150*12mm</p>	<p>Part 12 4pcs</p>  <p>670*296*3mm</p>	<p>Part 13 3pcs</p>  <p>419*150*12mm</p>	<p>Part 14 3pcs</p>  <p>428*296*3mm</p>	<p>Part 15 2pcs</p>  <p>338*220*15mm</p>
<p>Part 16 2pcs</p>  <p>1437*114*15mm</p>	<p>Part 17 4pcs</p>  <p>287*60*12mm</p>	<p>Part 18 1pcs</p>  <p>475*216*14mm</p>	<p>Part 19 1pcs</p>  <p>475*216*14mm</p>	<p>Part 20 1pcs</p>  <p>475*216*14mm</p>
<p>Part 21 2pcs</p>  <p>714*216*14mm</p>	<p>Part 22 2pcs</p>  <p>714*216*14mm</p>	<p>Part 23 1pcs</p>  <p>1490*80*15mm</p>		

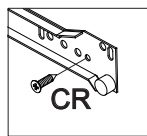
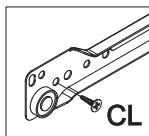
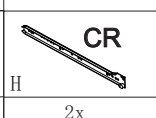
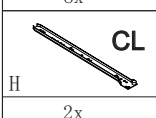
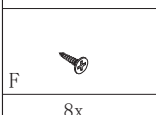
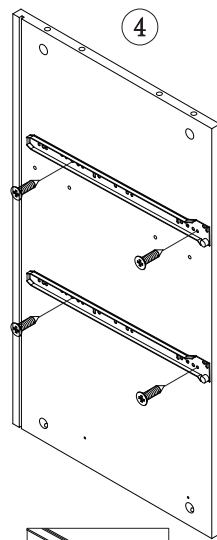
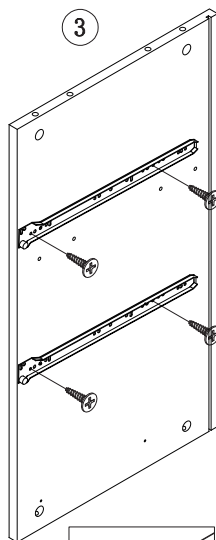
1



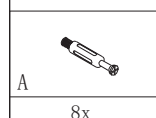
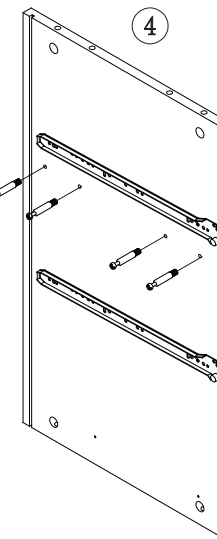
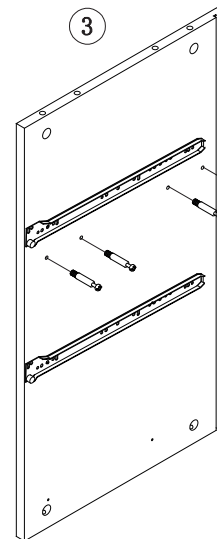
2



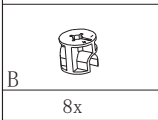
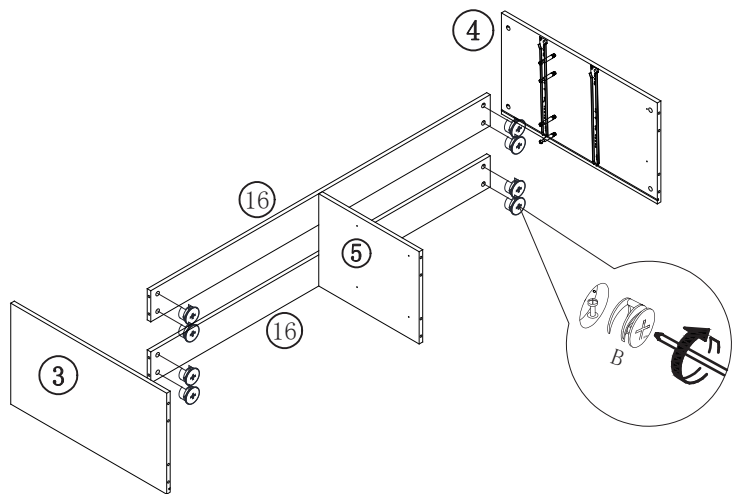
3



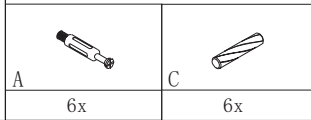
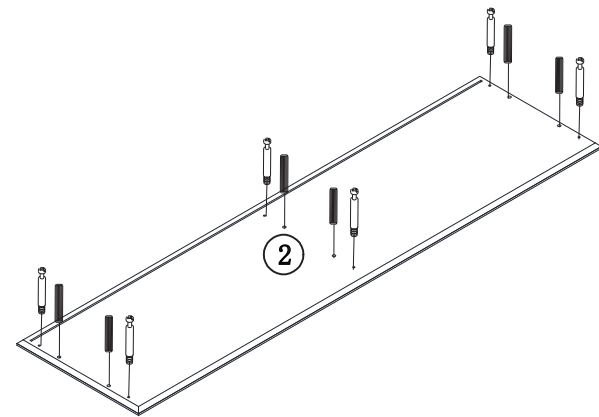
4



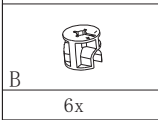
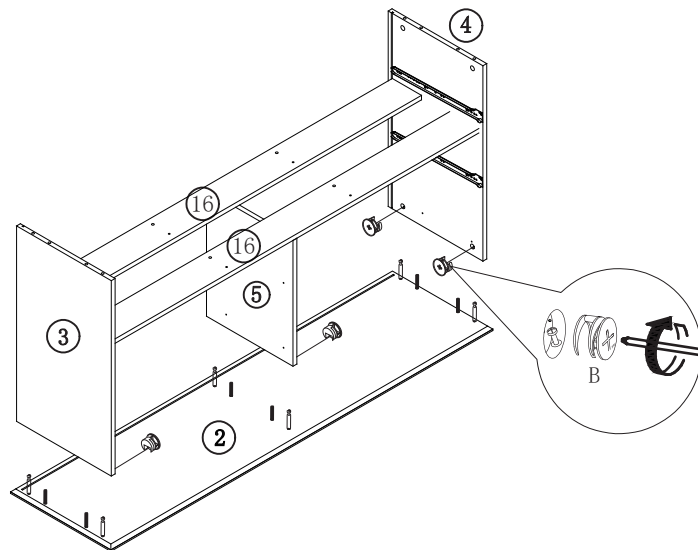
5



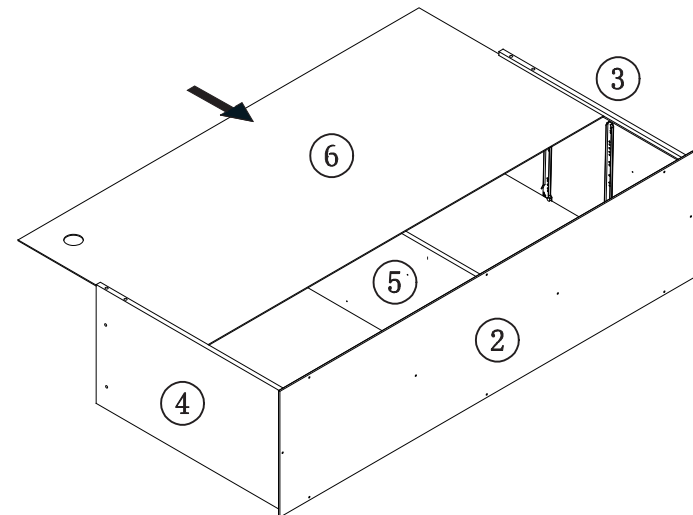
6



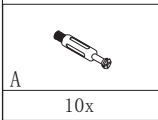
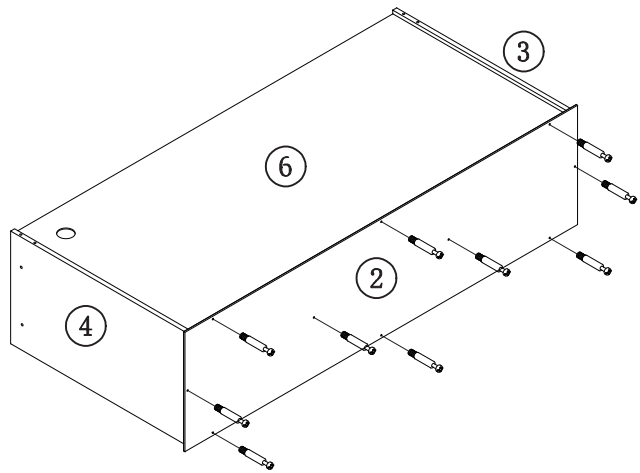
7



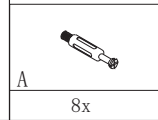
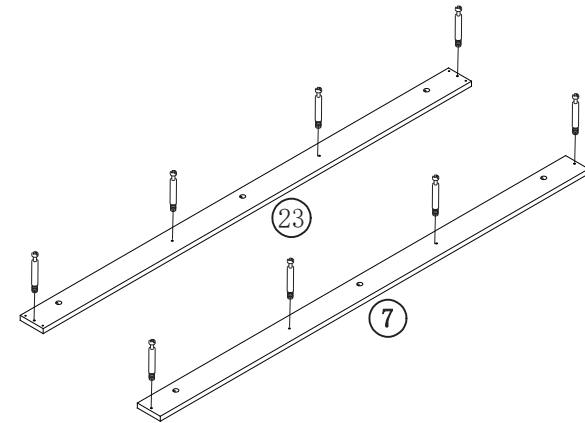
8



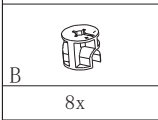
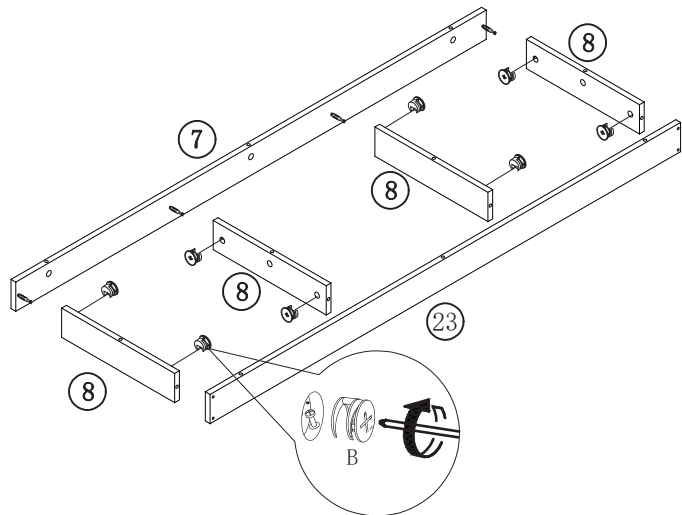
9



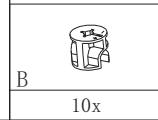
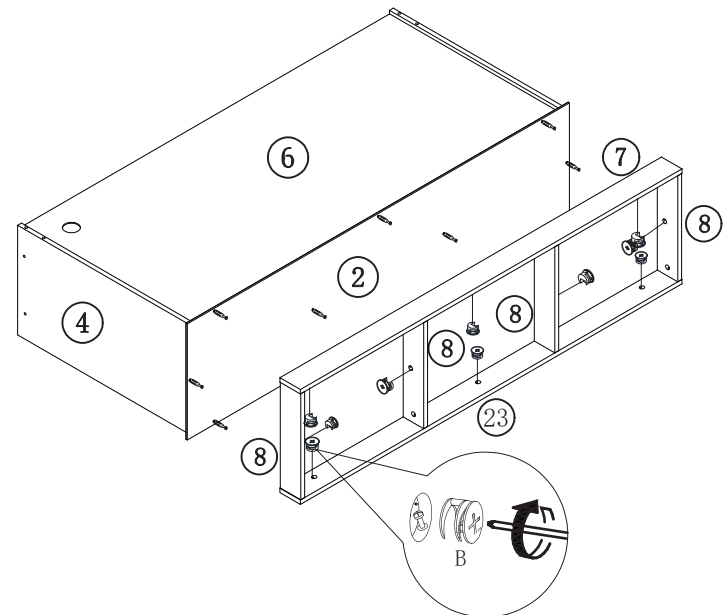
10



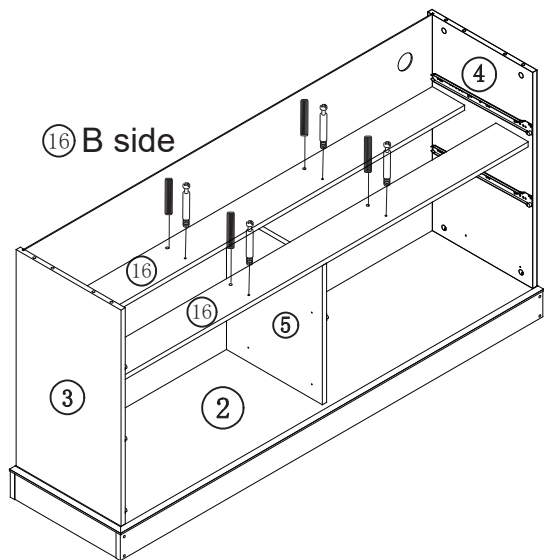
11



12

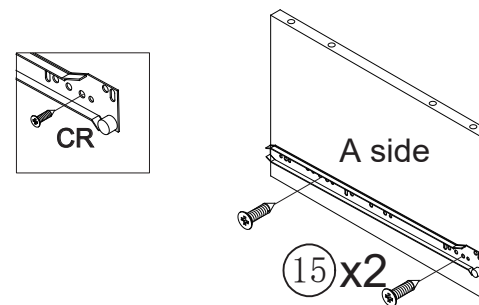


13



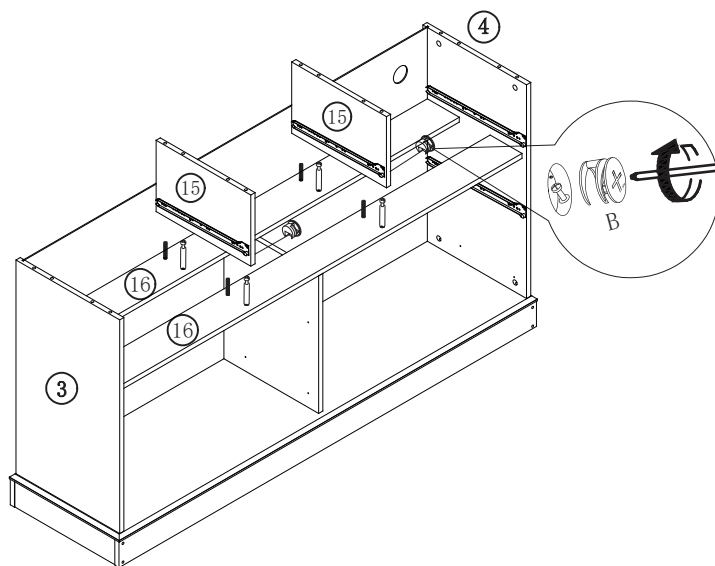
C	
	4x
A	
	4x

14



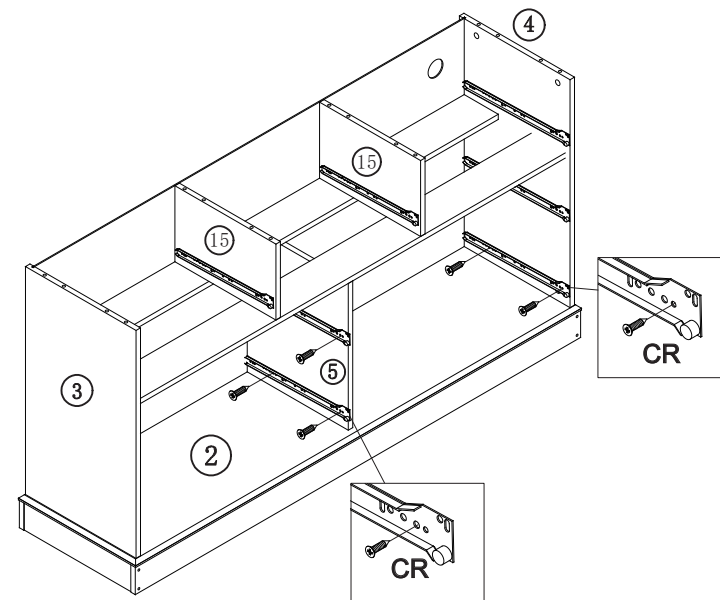
F	
	4x
H	
	2x

15



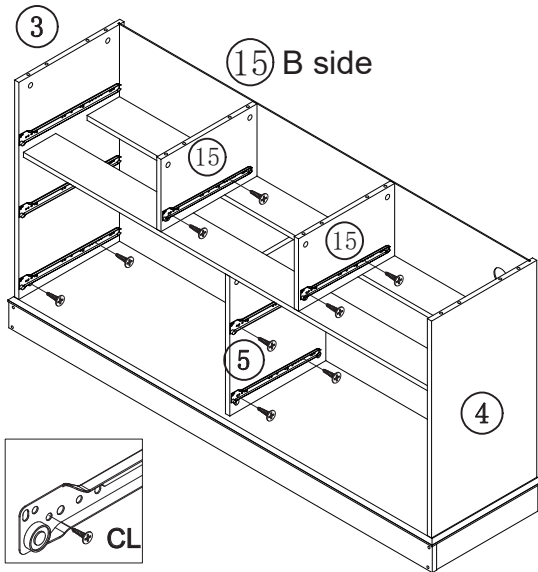
B	
	4x

16



H	
	3x
F	
	6x

17



CL

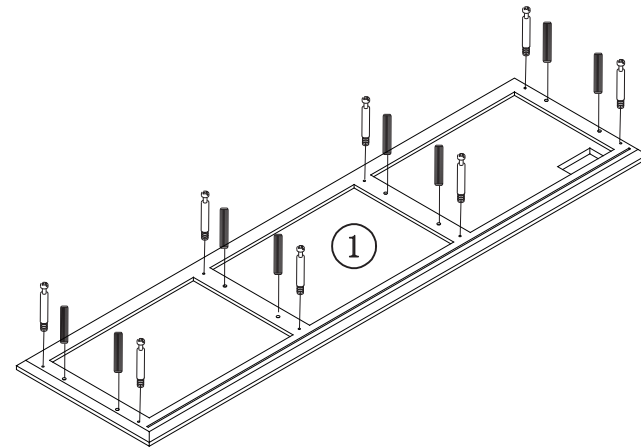
H

5x

F

10x

18



C

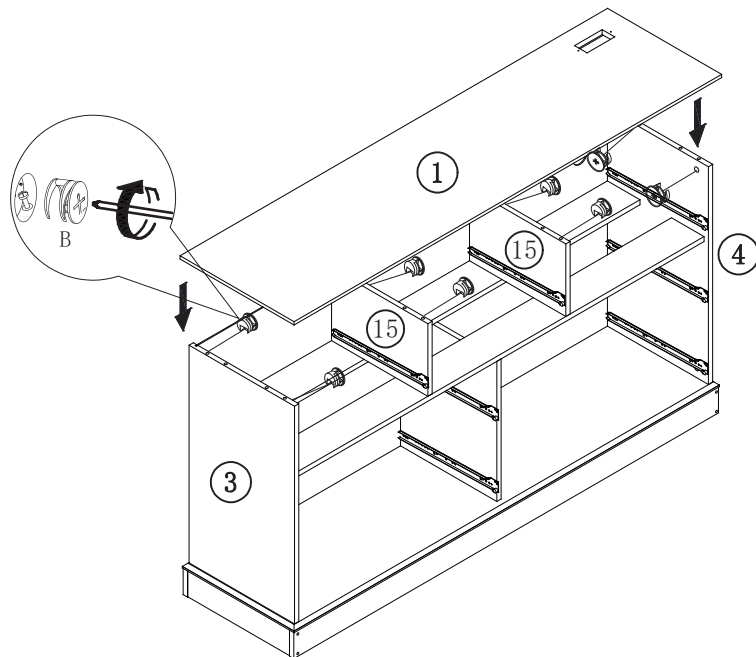


8x

A

8x

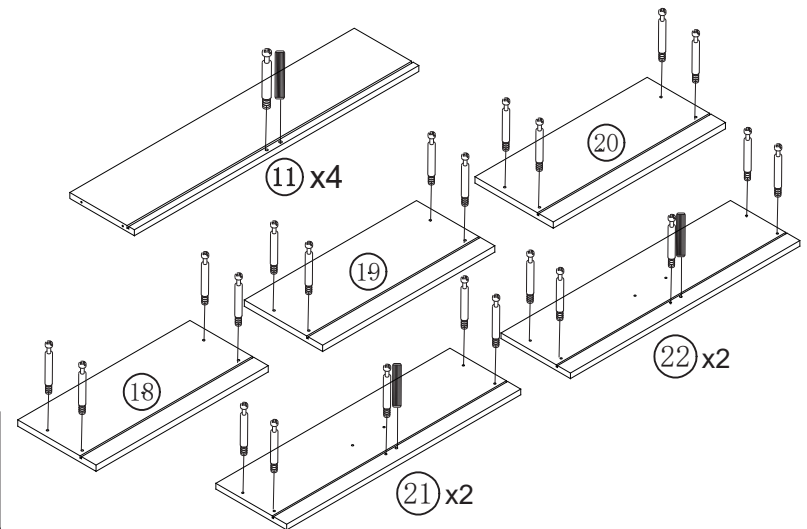
19



B

8x

20



O

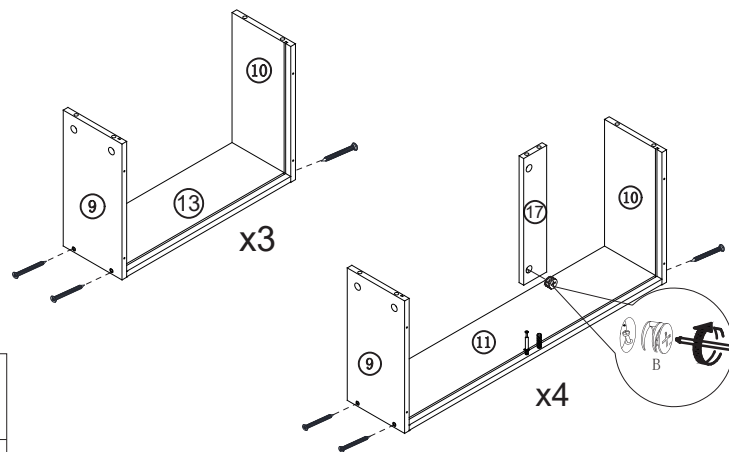


8x

A

36x

21

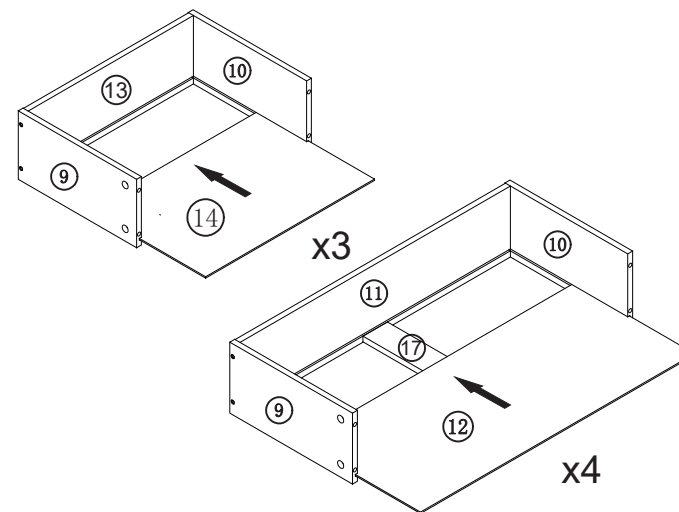


E
28x

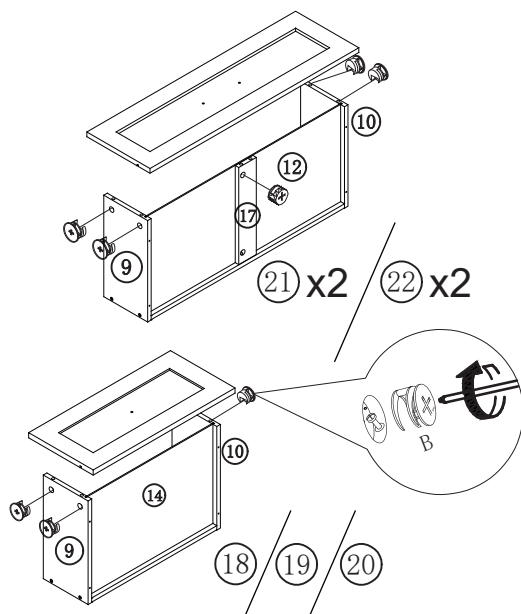


B
4x

22

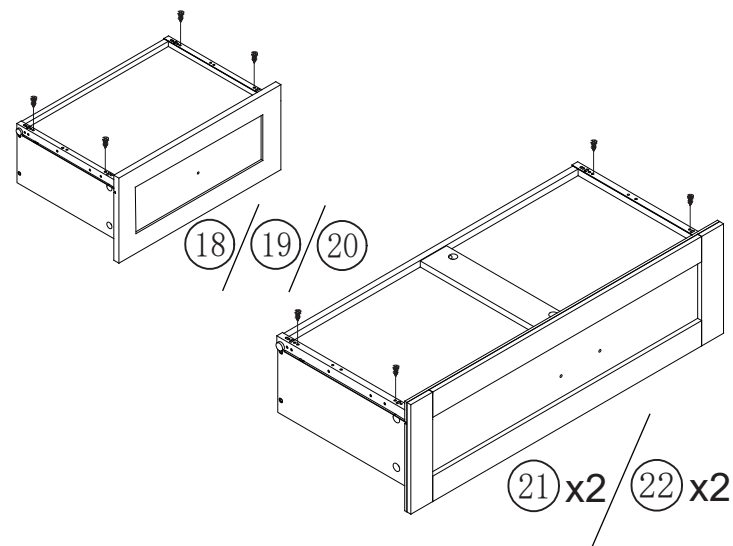


23



B
32x

24



H



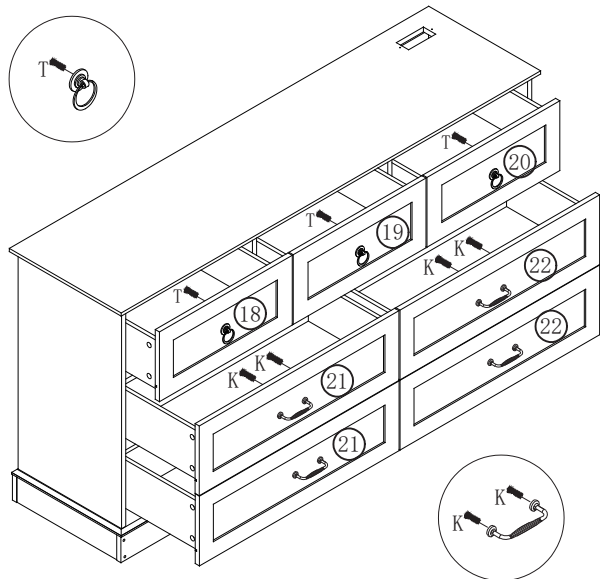
7x

F



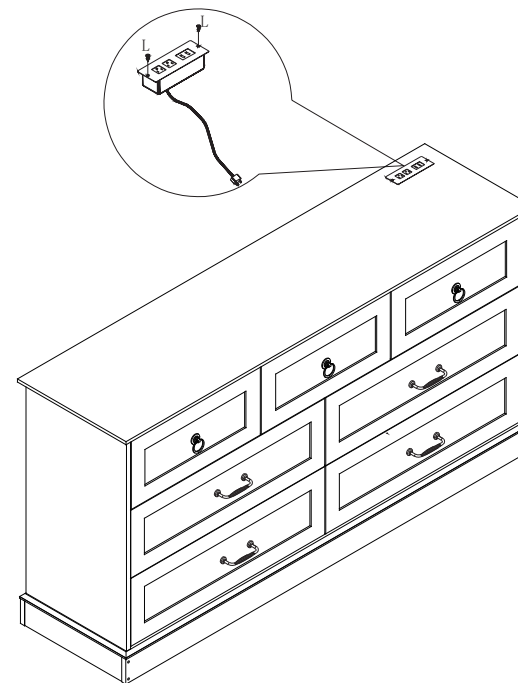
28x

25



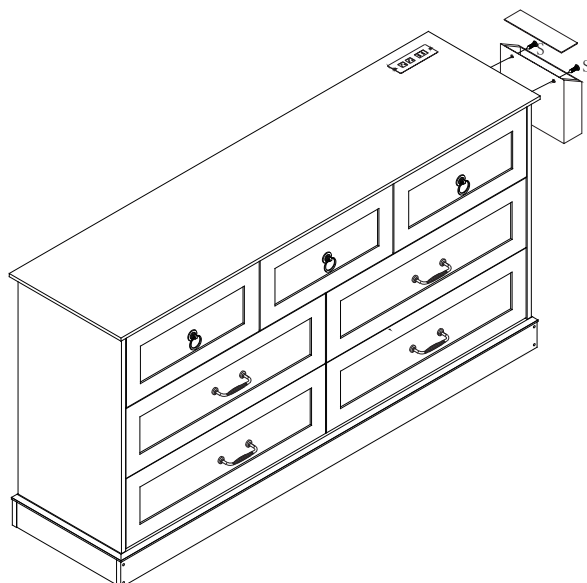
P		T	
	3x		3x
J		K	
	4x		8x

26



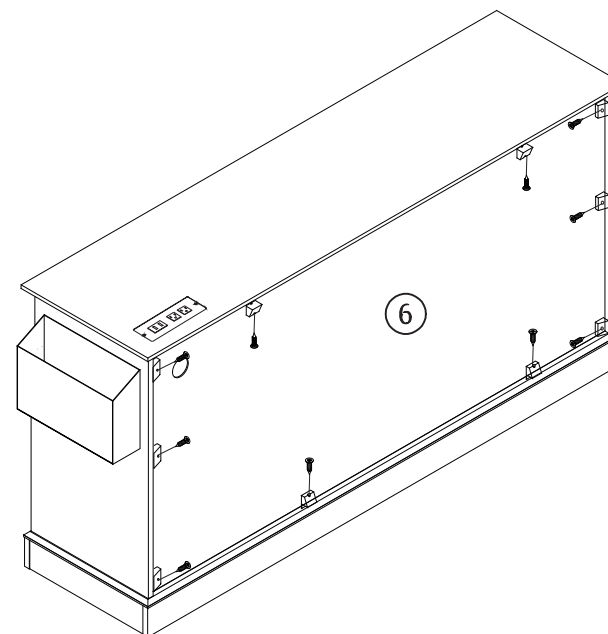
L	
	2x
M	
	1x

27



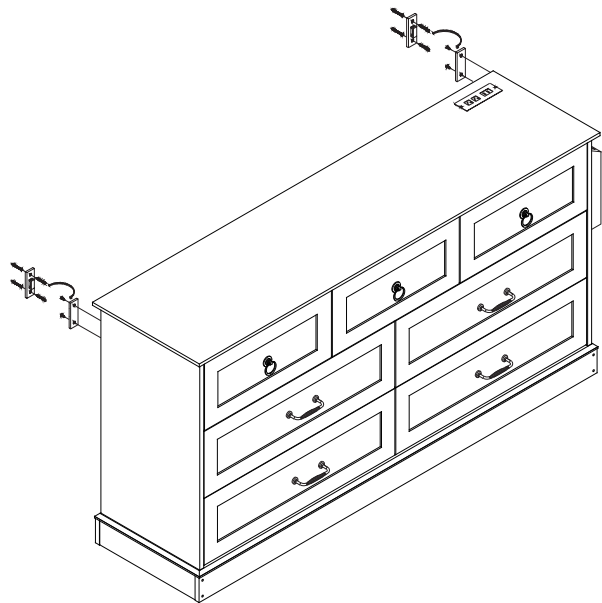
S	
	2x
G	
	1x

28



D	
	10x

29

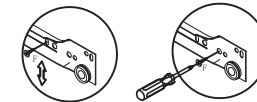
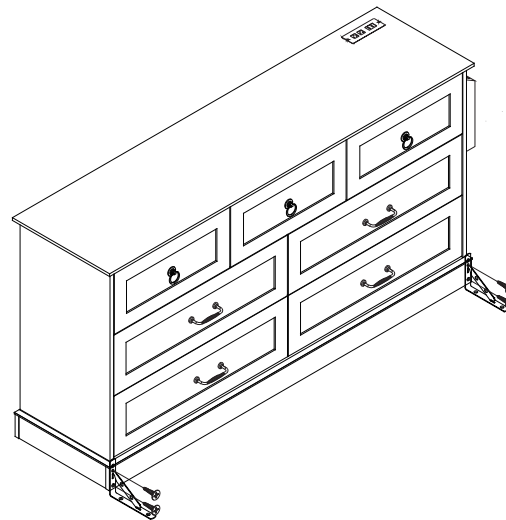


I



2x

30



Adjust the oval hole up and down to make the drawer in a suitable location, and then you can fix extra screw to make the rails more stable

Q



2x

R



4x

