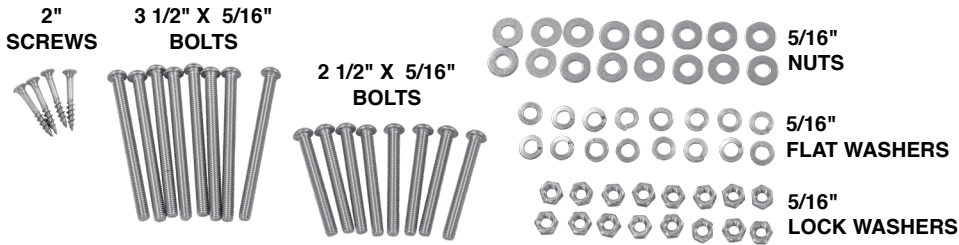


# TABLE

## Assembly Instructions

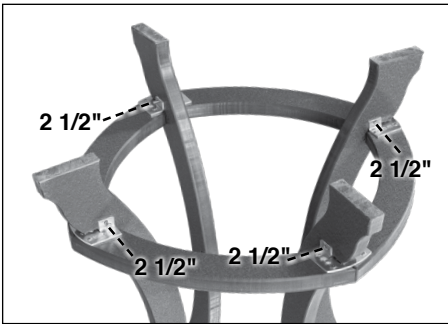


### TOOLS NEEDED

- 5/16" open end wrench
- 3/16" Allen wrench

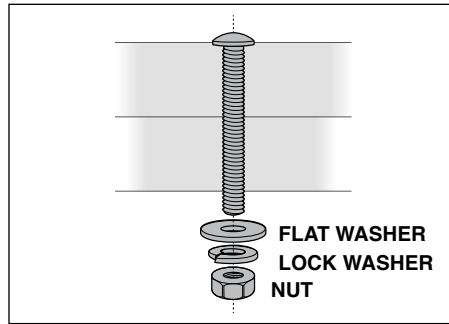
### PARTS LIST

- 1 – table top
- 4 – legs
- 1 – foot plate
- 2 – cross piece
- 1 – umbrella holder
- 8 – 3 1/2" by 5/16" bolts
- 8 – 2 1/2" by 5/16" bolts
- 16 – 5/16" nuts
- 16 – 5/16" flat washers
- 16 – 5/16" lock washers
- 4 – 2" screws



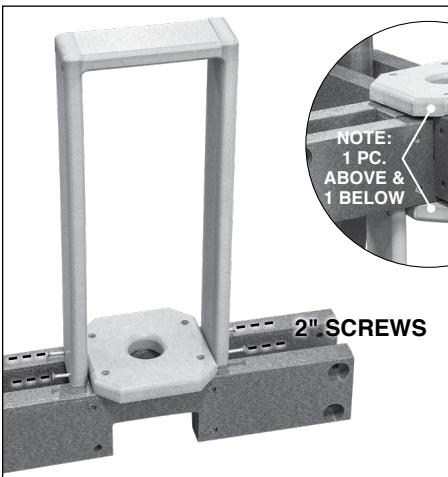
**FIGURE 1**

Mount foot plate to legs. Insert 2 1/2" bolt through bracket in foot plate through legs.



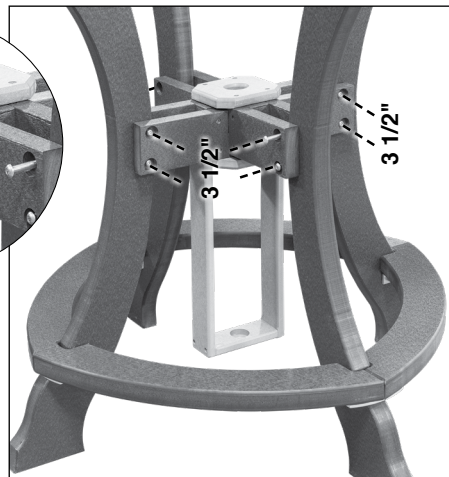
**FIGURE 1-A**

Add flat washer, lock washer and 5/16" nuts to back side of seat back and seat. Tighten thoroughly.



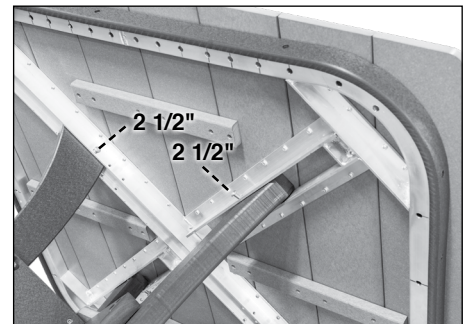
**FIGURE 2**

Fasten umbrella holder to cross piece with 4 screws as shown.



**FIGURE 3**

Mount center cross piece. Insert 3 1/2" bolt through cross piece (through leg.)



**FIGURE 4**

Set table top onto legs. Insert 2 1/2" bolts through holes.