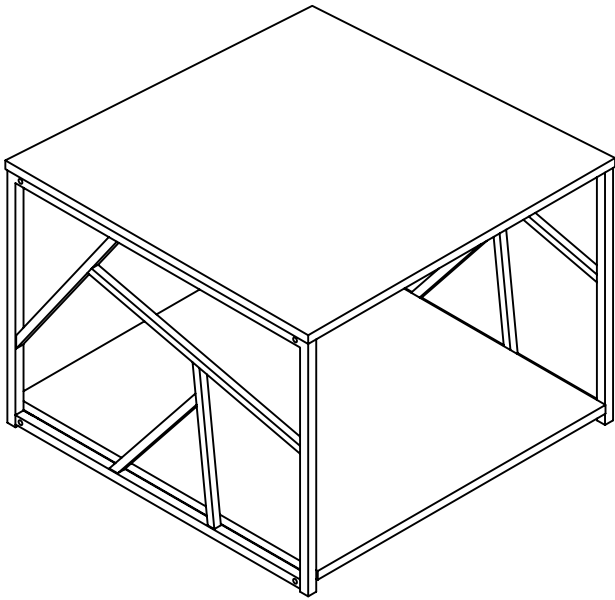


# Instruction Manual



## Tips!

Check all the components & screws before assembly. **Do not install in case part is missing, contact us to get.** Send email with your question. We will resend within 24 hours.

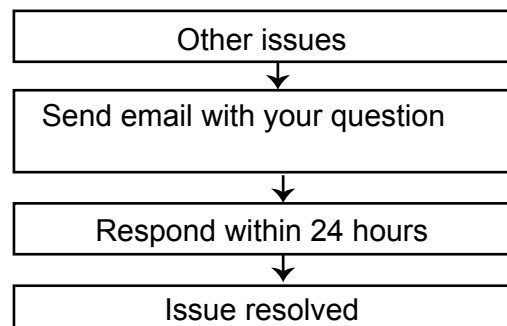
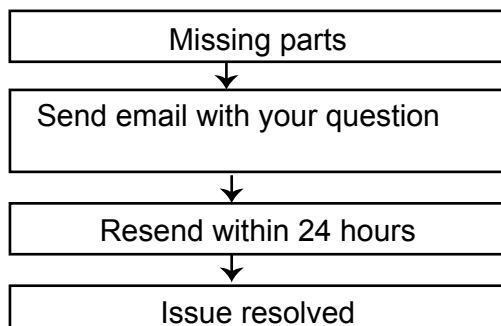
<b>A<sub>1</sub></b>		1
<b>A<sub>2</sub></b>		1
<b>B</b>		2
<b>C</b>		1
<b>D</b>		1
<b>E</b>	M6x35mm	8
<b>F</b>	M6x25mm	16
<b>G</b>		1

## Return Policy

We believe you will absolutely love this item. But if for some reason you want to return, please contact us directly before you decide to return your product. Our customer service organization can answer most concerns and assist you with any questions you may have about your new foundation.

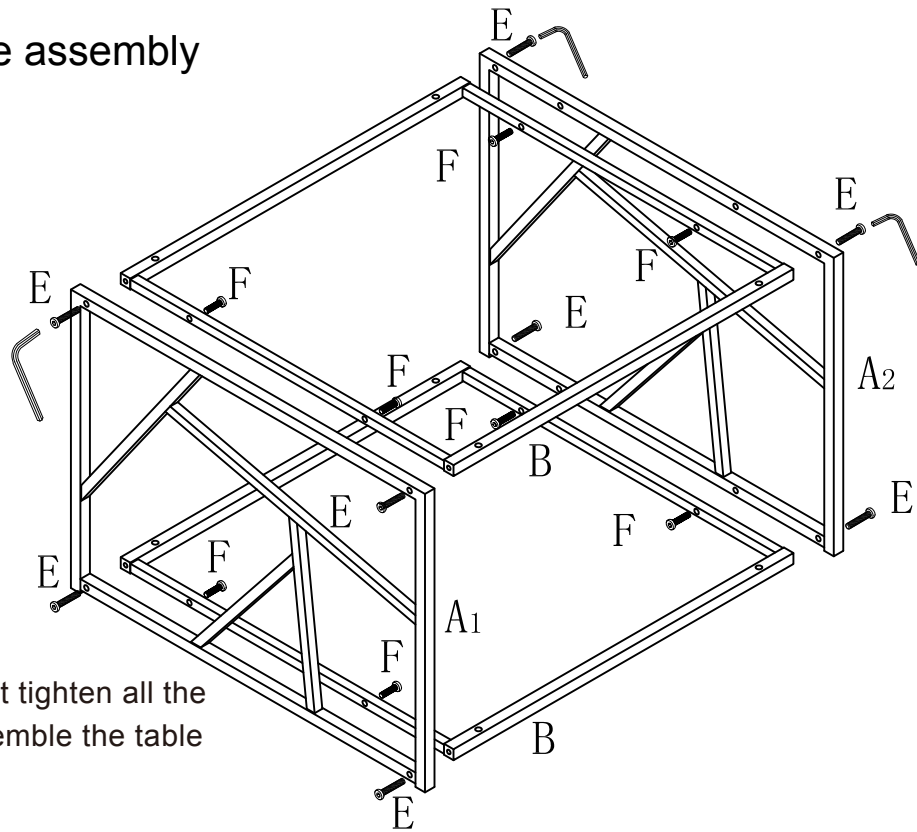
The item must be return within 30 days of delivery for a full refund. The item must be returned in good condition, in original box, with all original proof of purchase, parts and accessories.

Trouble shooting:



We control manufacturing and distribution ourselves, ensure the quality.

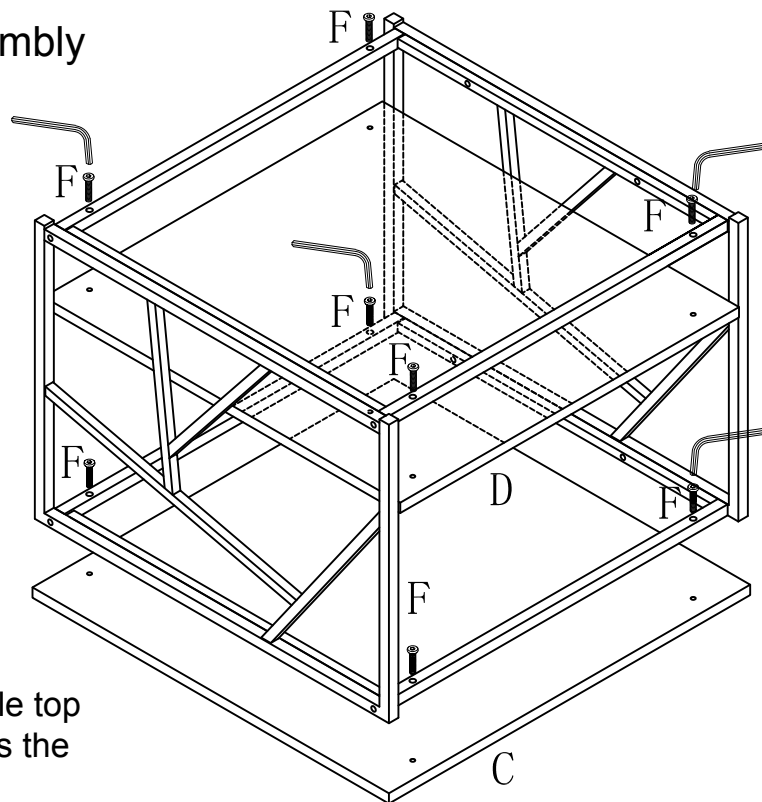
## 1 Body frame assembly



### Tips:

To easily install, do not tighten all the screws up before assemble the table top.

## 2 Table top assembly



### Tips:

To easily install, the table top should be assembled as the picture shows.