

# WARNING

\*This portable lamp has a polarized plug (one blade is wider than the other) as a safety feature to reduce the risk of electric shock.this plug will fit in a polarized outlet only one way. if the plug does not fit fully in the outlet, reverse the plug, if it still does not fit, contact a qualified electrician.

\*Never use with an extension cord unless the plug can be fully inserted. do not attempt to defeat this safety feature.



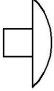
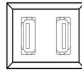
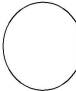
# CARE AND MAINTENANCE

\*Unplug lamps before using any cleaning solutions. Dust shades with a feather duster or with an appropriate vacuum-brush attachment. Wipe with a soft, dry cloth and clean lamp bases with the methods appropriate to the material. Avoid the use of chemicals and household cleaners as they may damage the finish.

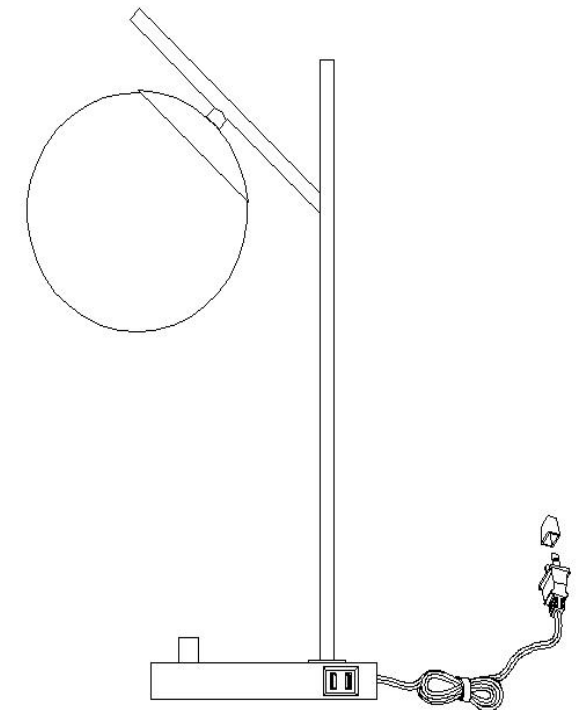
# NOTICE& IMPORTANT SAFETY INSTRUCTIONS

- \* Please make sure that you have all parts indicated before you begin assembly of this item
- \* This item should be assembled on a soft surface to prevent scratching the finish during assembly
- \* To reduce the risk of fire, electrical shock or injury to persons or property, please follow the guideline below for safe use and installation
- \* The external flexible cable or cord of this luminaire cannot be replaced
- \* If the cord is damaged, the luminaire shall be destroyed

## Part List and Hardware List

| PIECE | DESCRIPTION | PICTURE   | QUANTITY | PIECE | DESCRIPTION | PICTURE   | QUANTITY |
|-------|-------------|---|----------|-------|-------------|---|----------|
| A     | Body        |  | 1X       | D     | Bulb        |  | 1X       |
| B     | Socket      |  | 1X       |       | USB         |  | 1X       |
| C     | Shade       |  | 1X       |       |             |   |          |

**Product Dimensions: 11.25"Lx  
7"W x20.5"H**



## PREPARATION

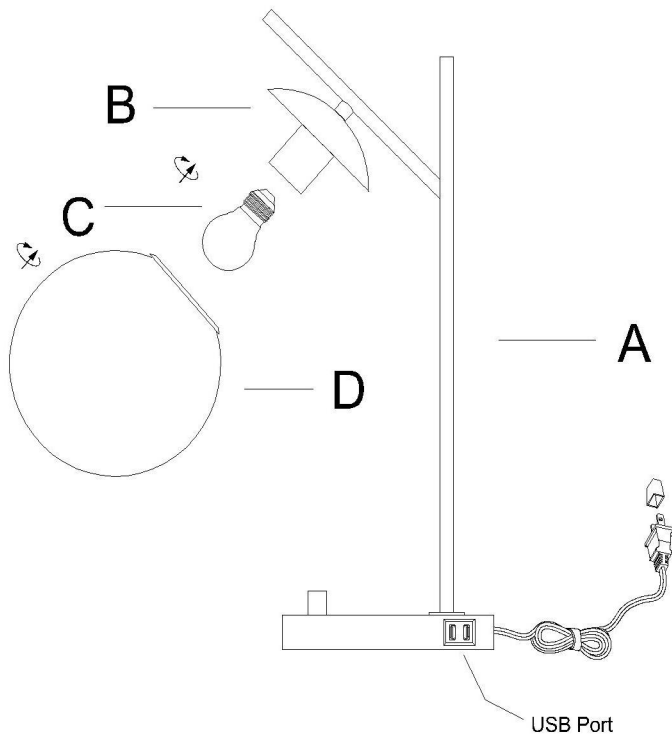
\* Before beginning assembly of product, make sure all parts are present. Compare parts with package contents list and hardware contents list.

\* If any part is missing or damaged, do not attempt to assemble the product.

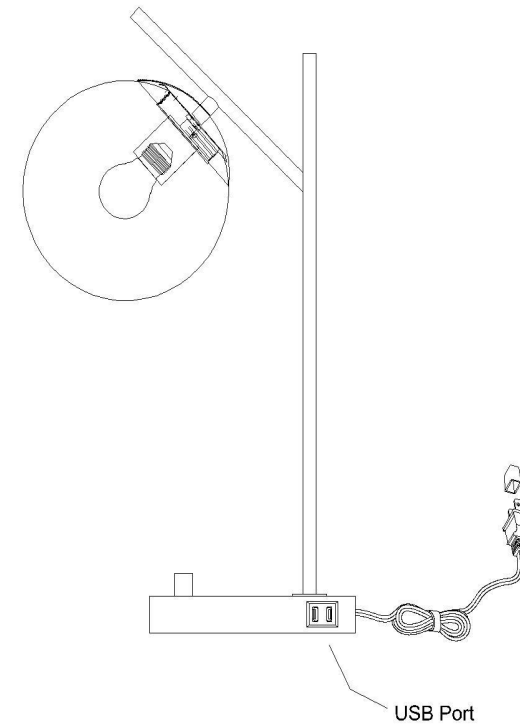
\* Estimated Assembly Time: 6 minutes.

\* If you are having difficulty, our friendly Customer Care team is always here to help. Please email [customersupport@safavieh.com](mailto:customersupport@safavieh.com)

**NOTE: PLEASE USE ON/OFF TYPE "A" BULB MAX 40-WATT OR LED BULB MAX 9-WATT, THERE IS LED 4-WATT BULB IN THE BOX**



**Step 1:** Insert the bulb (C) onto the socket (B). Screw the Lamp shade (D) into the socket (B).



**Step 2:** Step 2: Put the light on a level surface to check if everything is stable. There is a USB port on the side of bottom base, the USB port enables to charge mobile phones, the charging function is available whether the lamp is on or off.