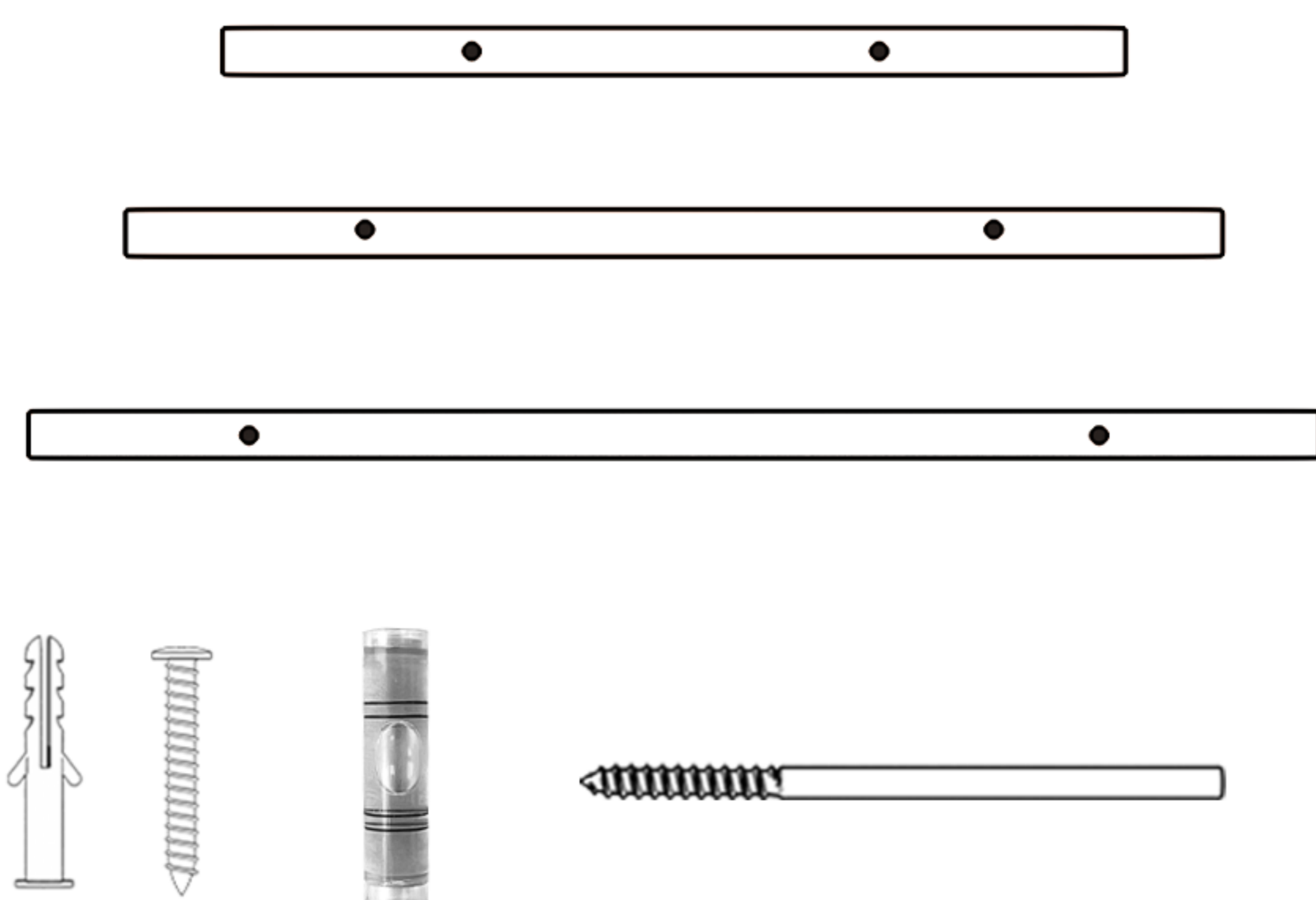
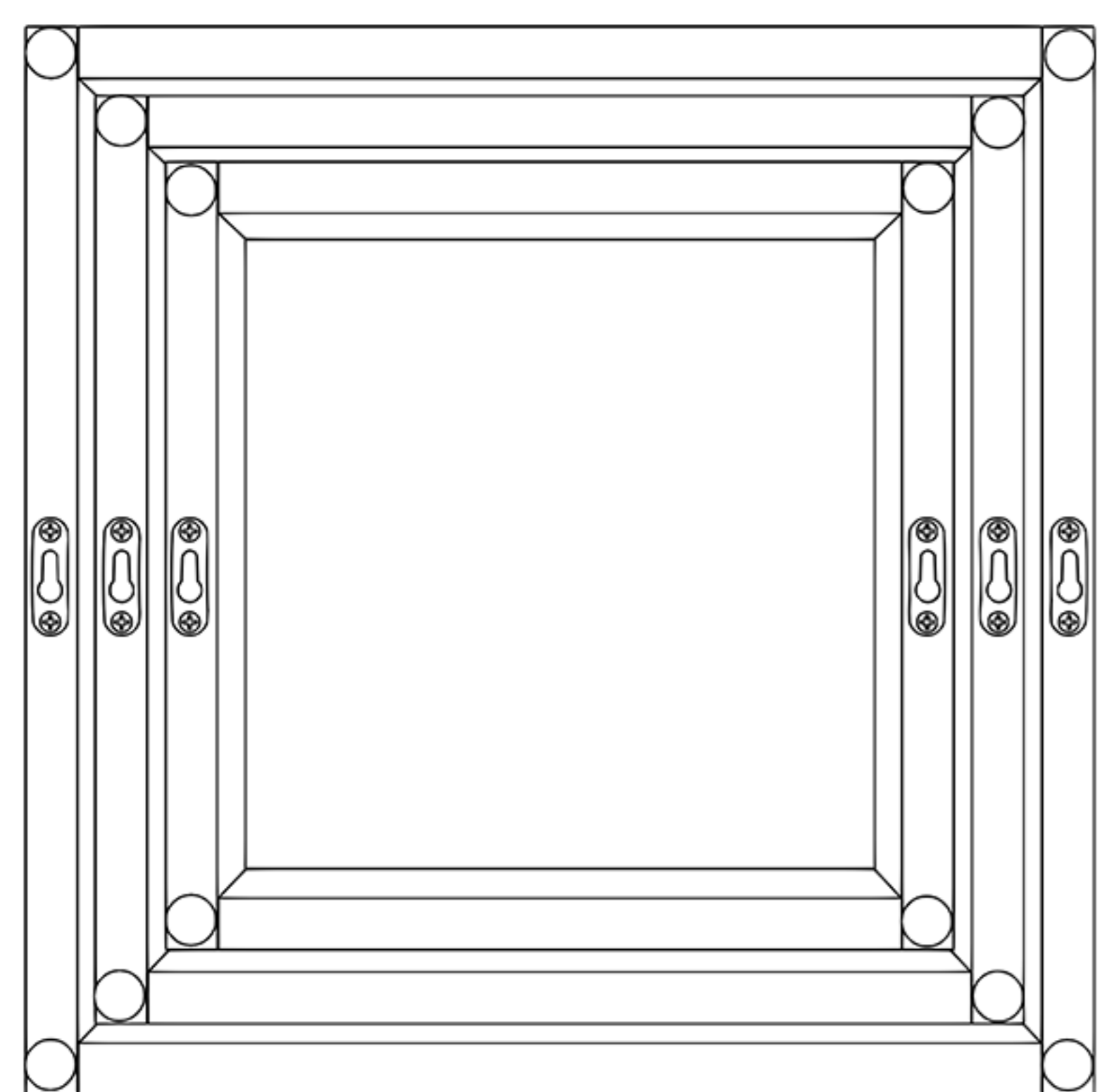
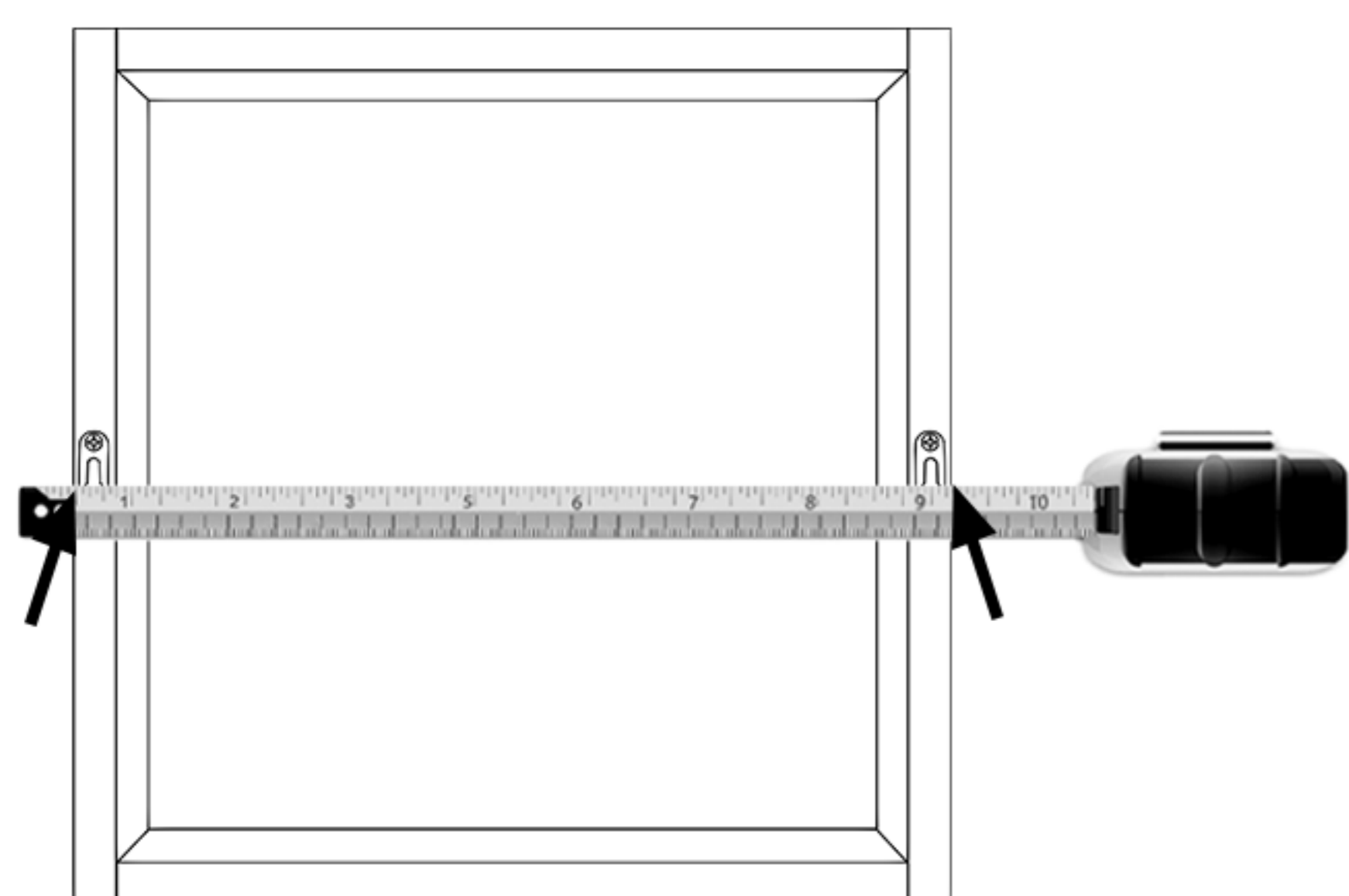


# ASSEMBLY INSTRUCTION

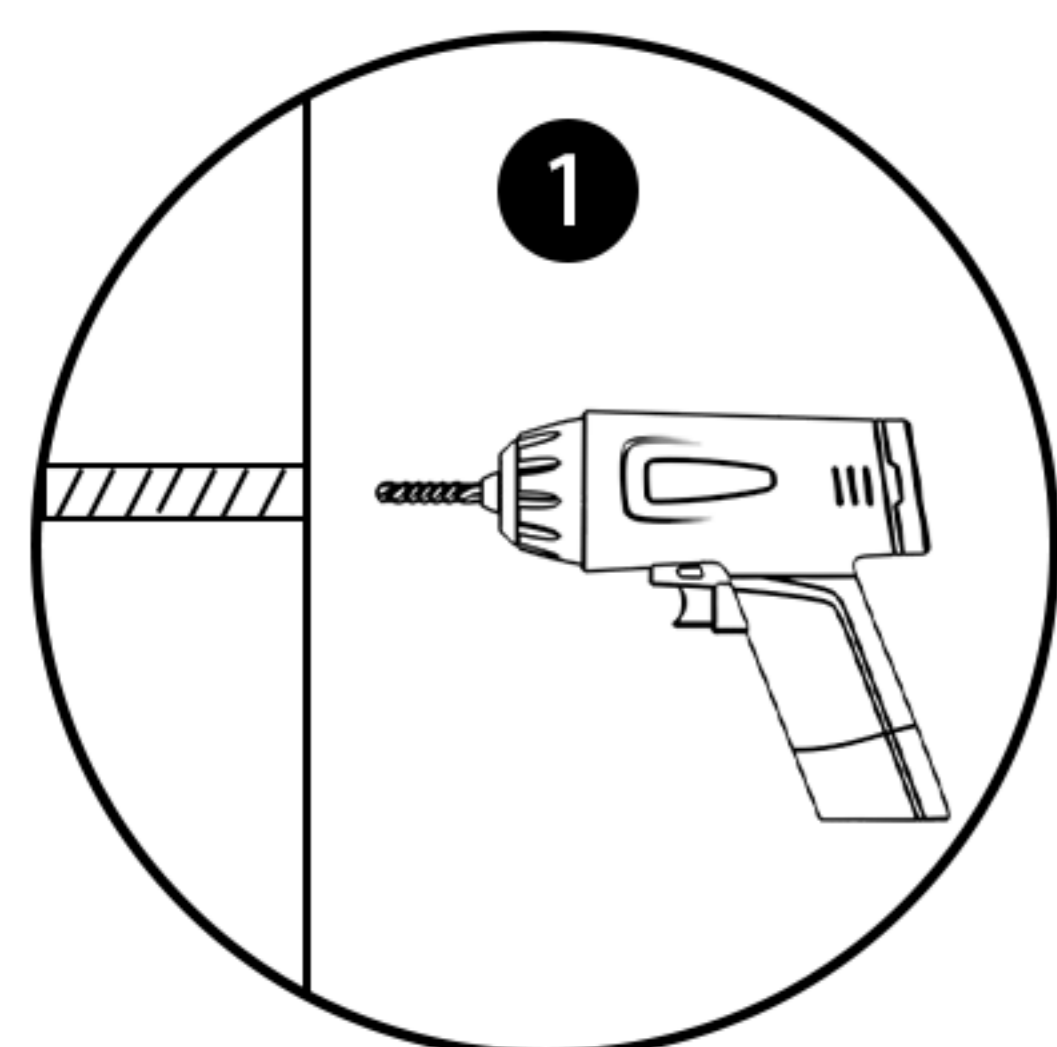


## Square Shelves Installation Steps

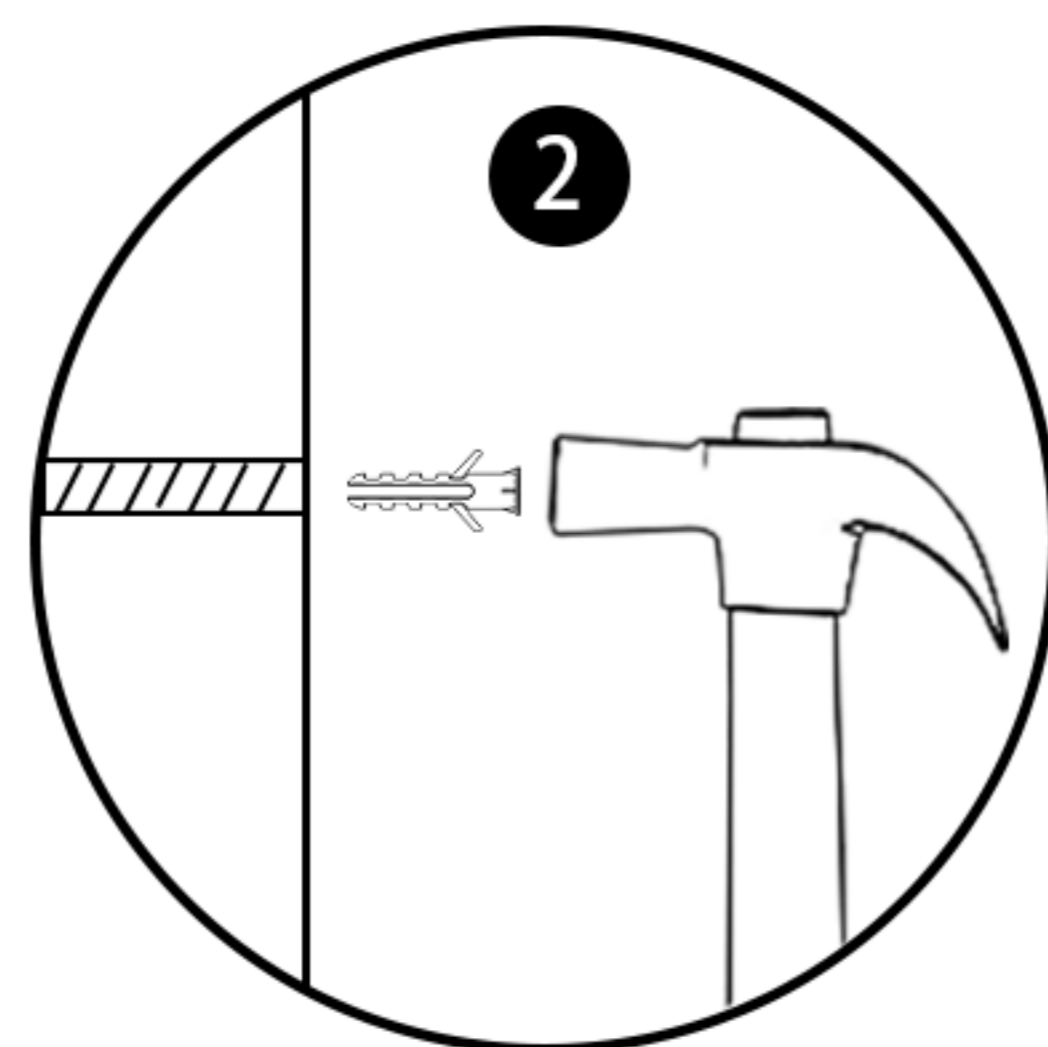
Measure the distance with a ruler.



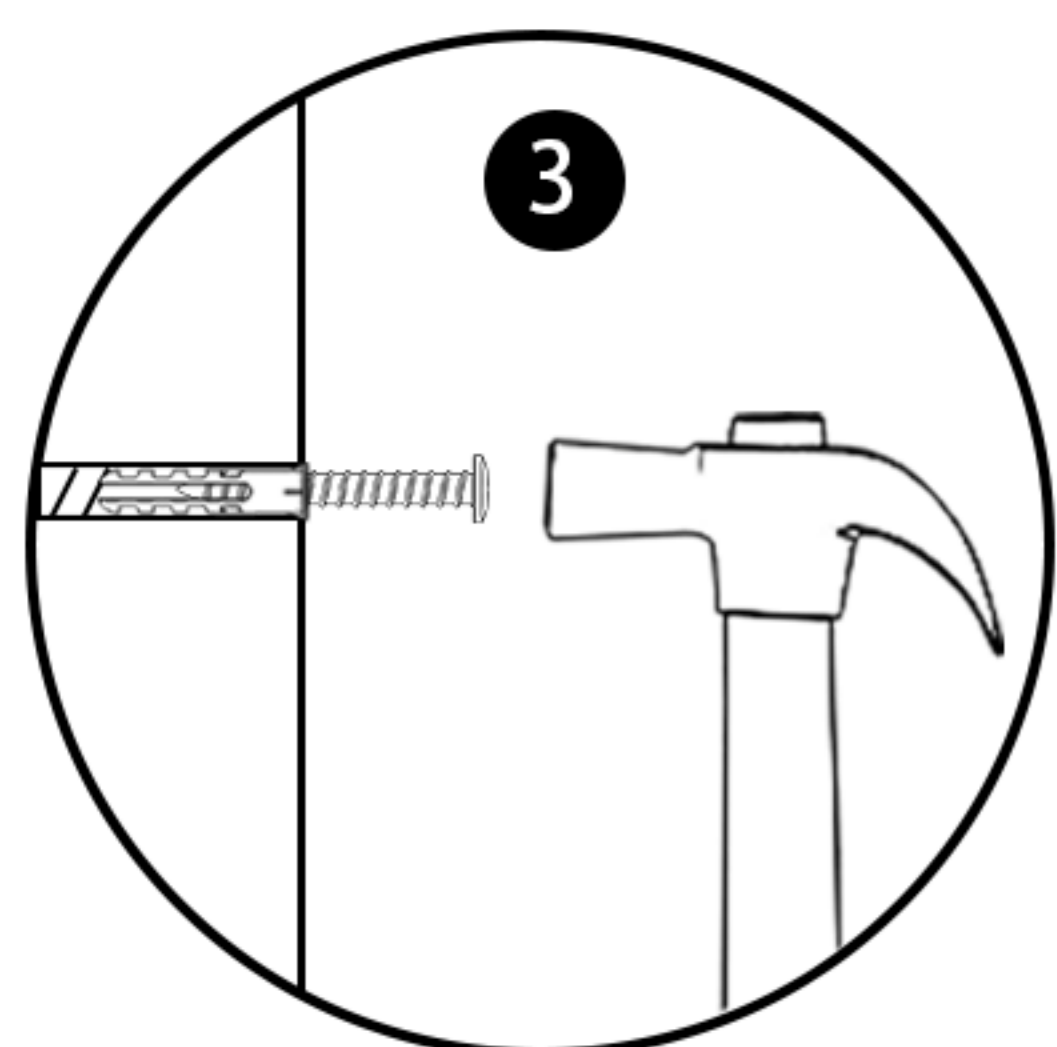
Mark the location where you want to install the shelf.



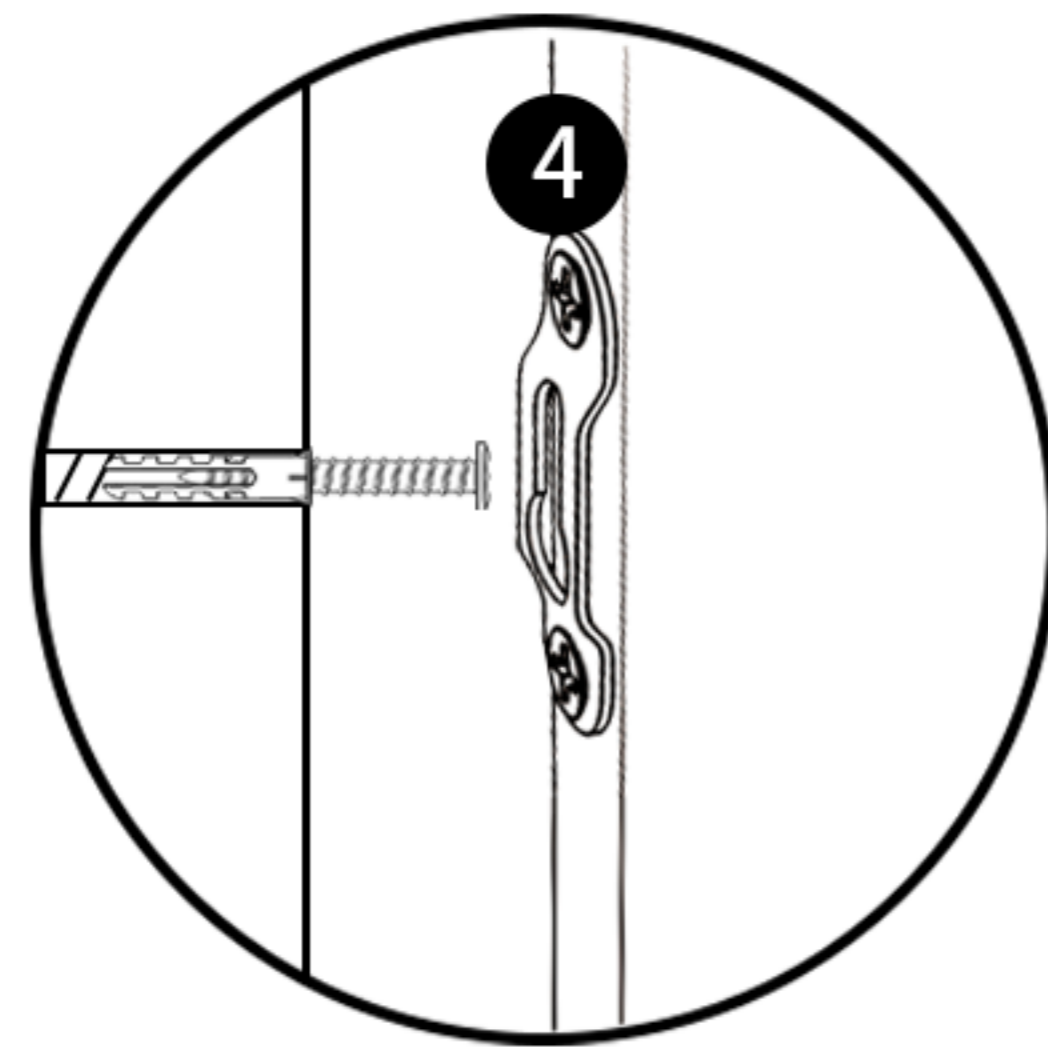
Drill the holes



Punch the expansion nails

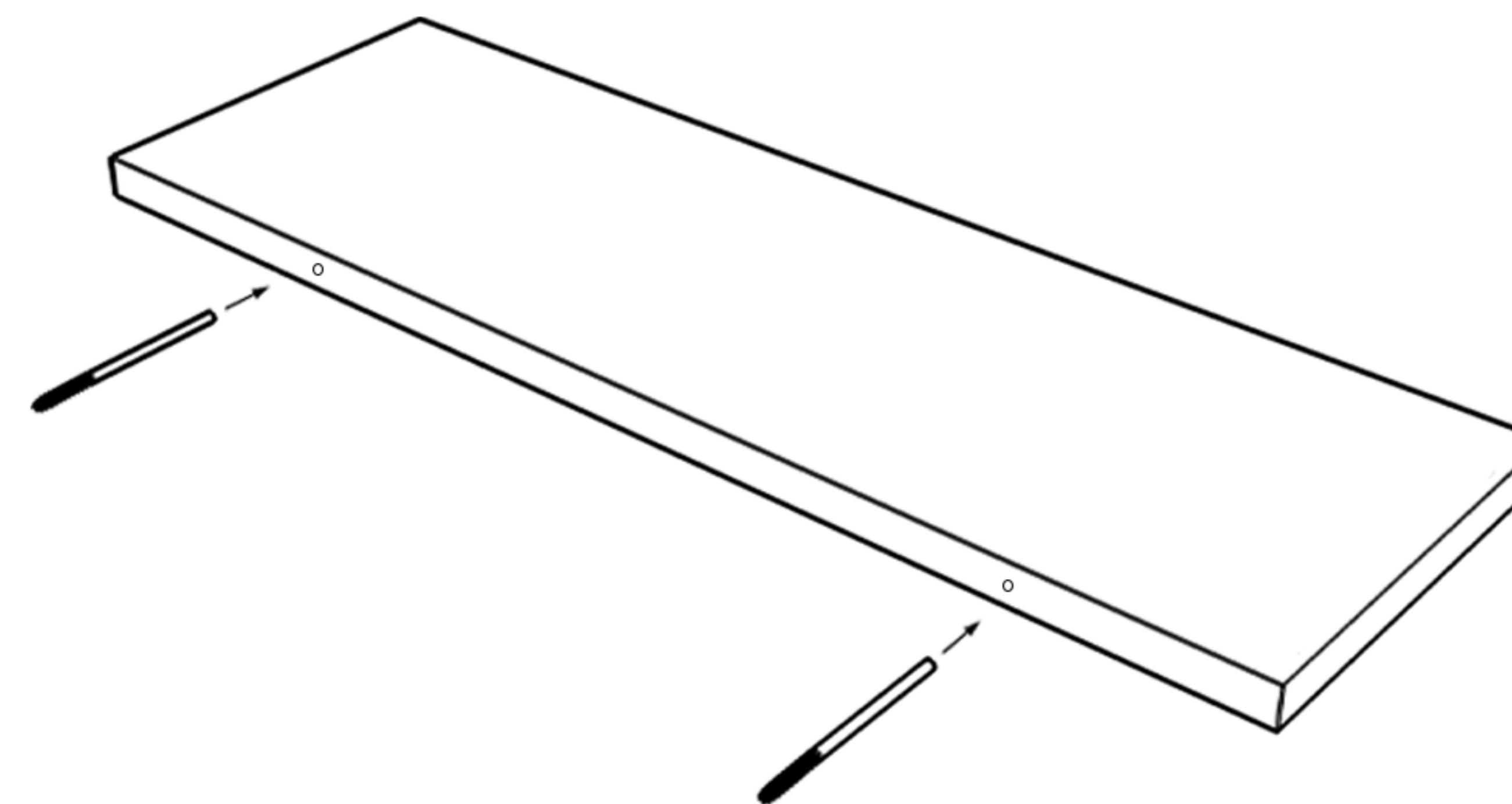


Punch the screws

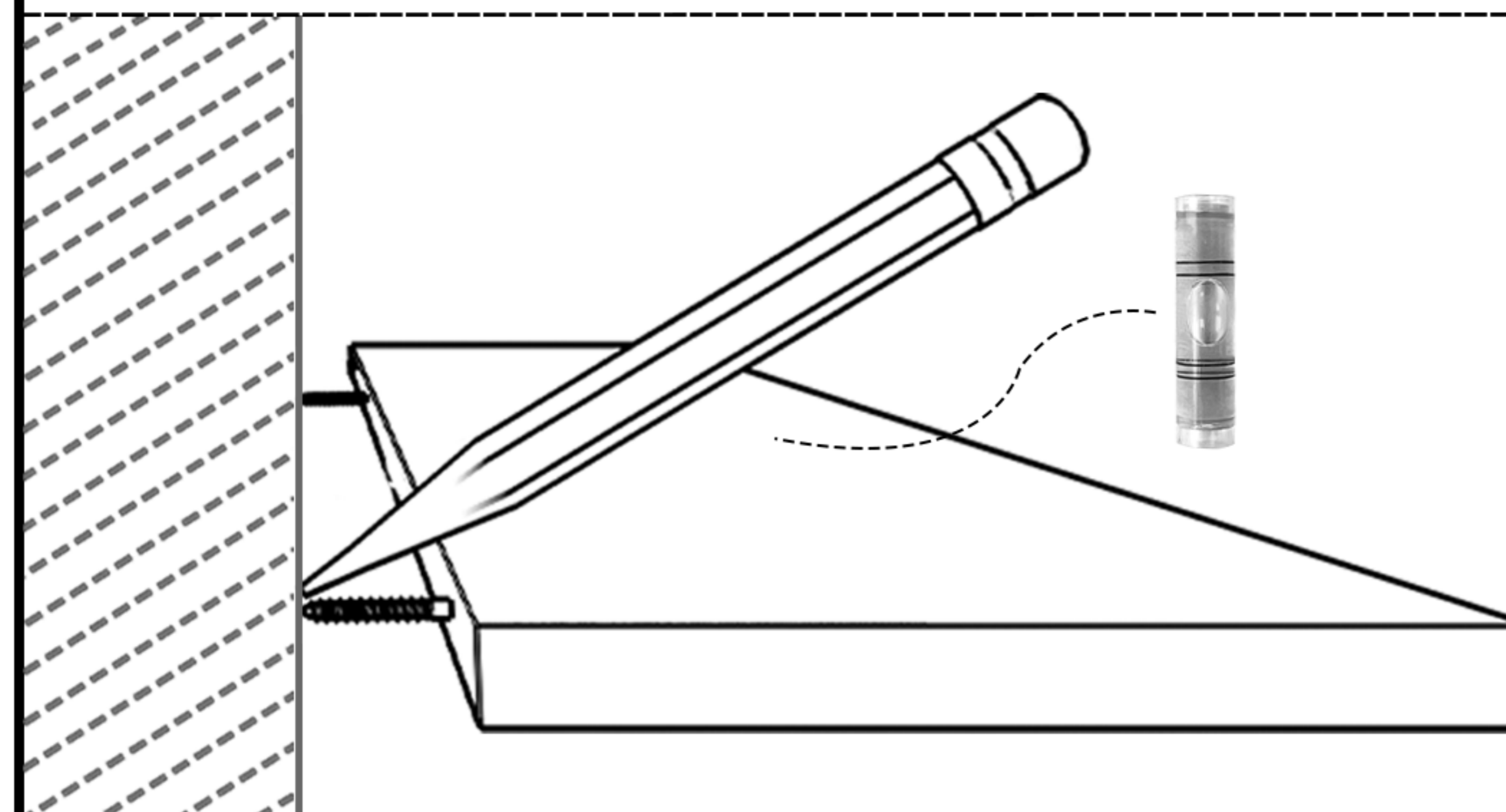


Hang the shelf

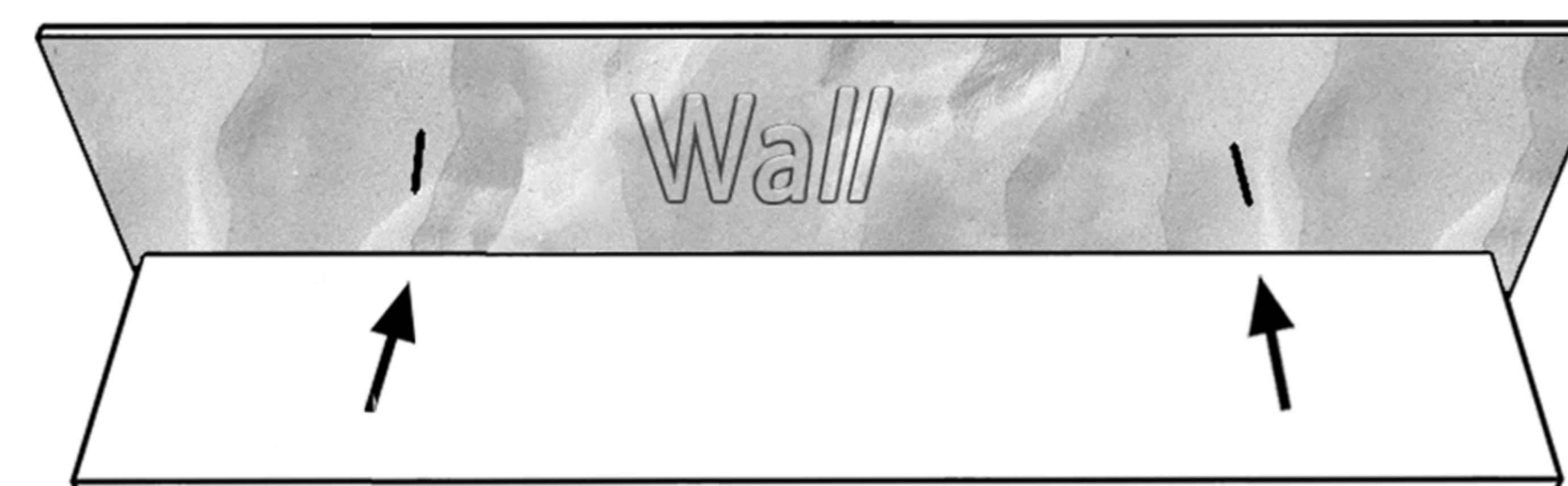
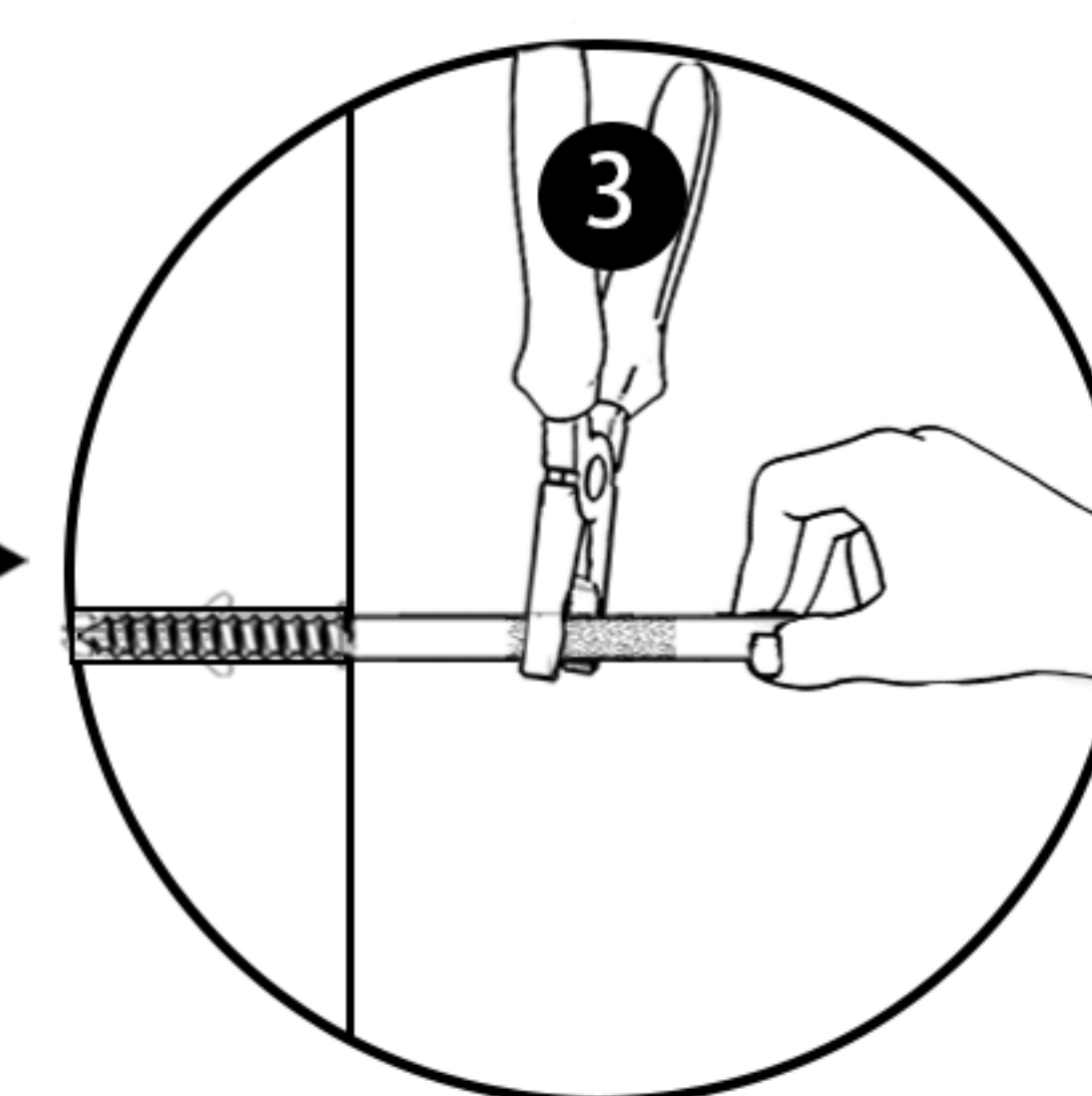
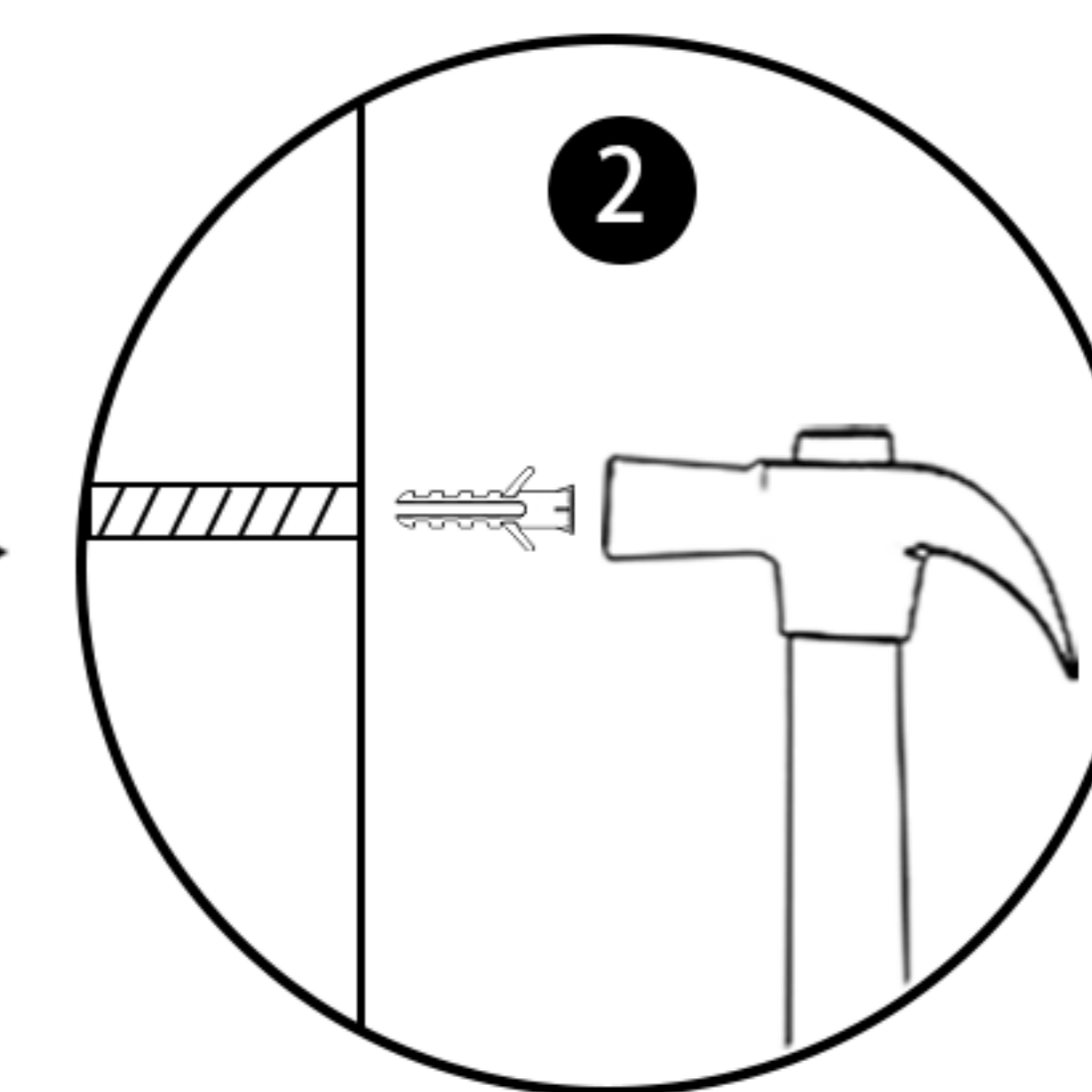
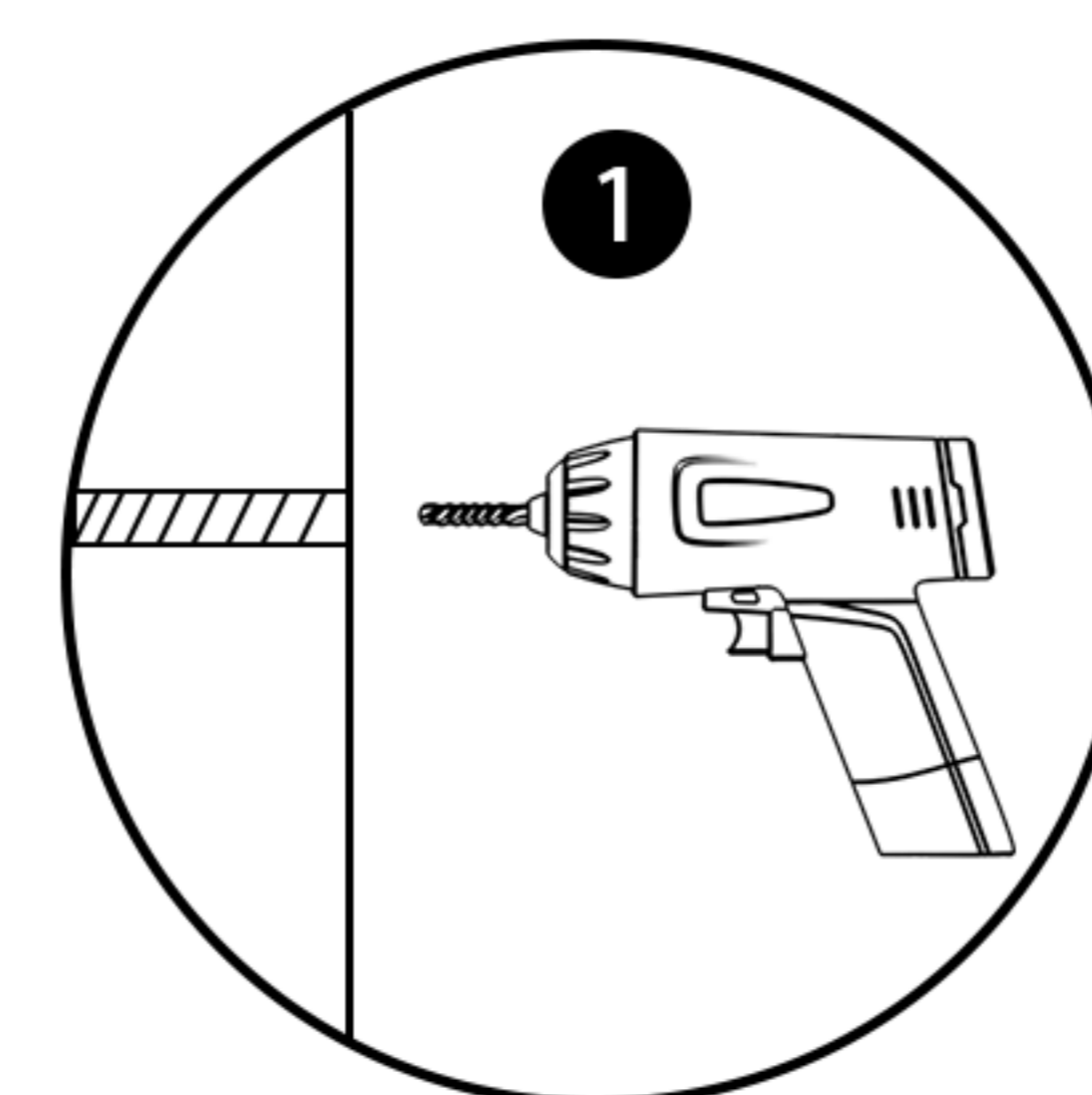
## Floating Shelves Installation Steps



Insert the long screws into the board.



Mark the position with a pencil and check with a level.



Insert the board into the long screws.