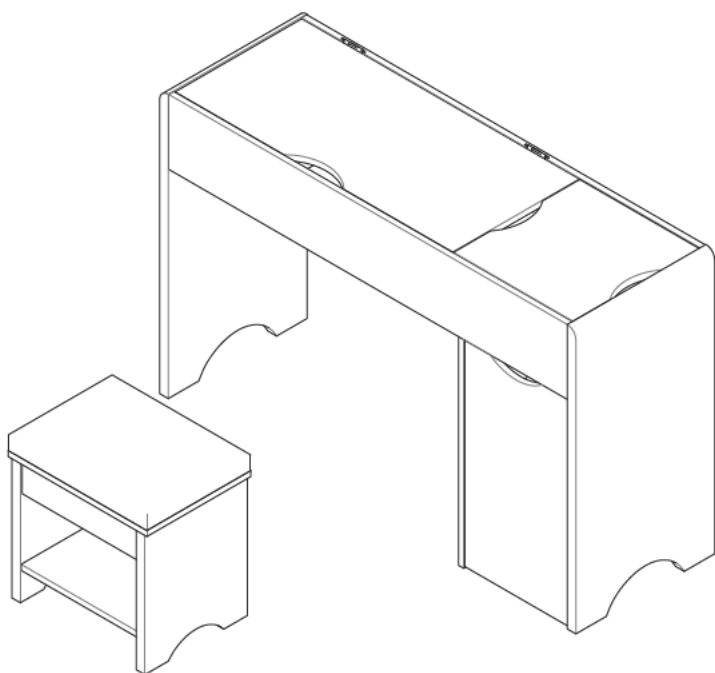


ASSEMBLY INSTRUCTIONS



TOOLS REQUIRED



**Phillips
Screwdriver**

(Not Included)



Hammer

(Not Included)



**2 - People
Recommended**

ASSEMBLY RATING



EASY —————> DIFFICULT

The Assembly Rating is a 5-point system showing the level of effort needed to assemble a specific product.



CHECK BEFORE STARTING

Are you missing anything?

Double-check all parts, hardware and accessories listed on Page 6 are accounted for.

Check out our Quick Tips!

We recommend reviewing the pre-assembly handouts. Even experts need a refresher now and then!

Should we send any replacements?

Are there any irregularities or flaws in the parts? We can send replacements!

Prep Time!

Please review the assembly instructions and all diagrams prior to assembling. Arrange parts as recommended on Page 7 and group identical hardware together to make assembling easier.

PRE ASSEMBLY INTRODUCTION

We understand building ready-to-assemble furniture can be a challenging experience for some. To help avoid confusion, we have provided some helpful tips that may speed up the process.



Teamwork

ALWAYS have at least two people to help with transporting and assembling the product to avoid potential injury and/or damage.



Suitable Location

Assembling near the area of the intended location is highly recommended.



Sufficient Space

Make sure you have enough space to move around during the assembly.



Avoid Scratches

Use cardboard, blankets or a carpeted area while assembling furniture to prevent scratches.



Flat Surface

Make sure the furniture rests on a flat and level surface with each leg evenly touching the floor.

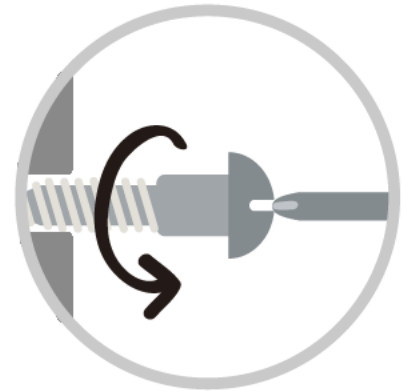
ASSEMBLY AND CARE ADVICE



**FAILURE TO FOLLOW THE GUIDELINES BELOW MAY
RESULT IN INJURY AND/OR PROPERTY DAMAGE.**



Position each part correctly
and insert screws or bolts into
their respective holes.



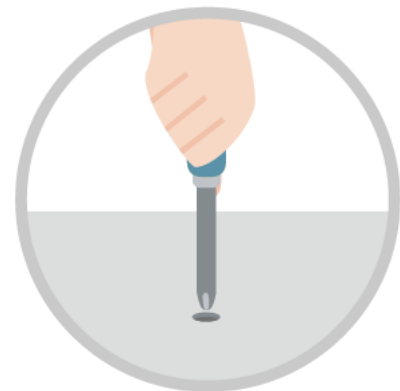
Turn clockwise to tighten and
only tighten when step is
completed or when instructed
to do so.



Use the appropriate hand tools
or power tools for assembly.
Select steps, such as tightening
screws and/or bolts, may require
hand tools to avoid causing
damage during assembly.



Save the instructions and store
any supplied tools for later
maintenance.



After two weeks, check and
tighten any loose hardware and
repeat again every six months
thereafter.

IT IS THE USER'S RESPONSIBILITY TO MAINTAIN THE FURNITURE. THE HARDWARE MAY LOOSEN OVER TIME AND MAY CAUSE THE FURNITURE TO BE WOBBLY AND UNABLE TO SUPPORT ITS INTENDED WEIGHT CAPACITY. THIS MAY LEAD TO COLLAPSE AND MAY CAUSE SERIOUS INJURY.

CAM LOCK FASTENER ASSEMBLY INSTRUCTIONS

Note :

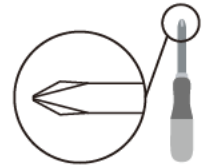
Every cam lock bolt must have a cam lock connector in order to fasten the parts together.



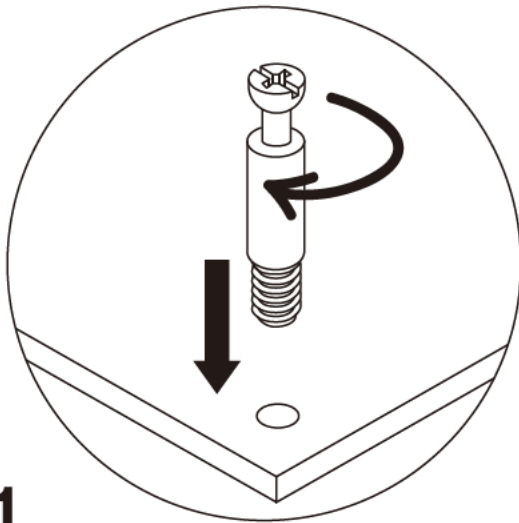
cam bolt



cam lock

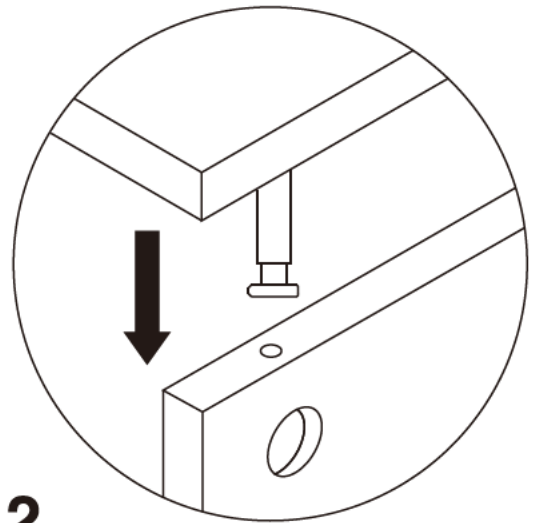


screwdriver



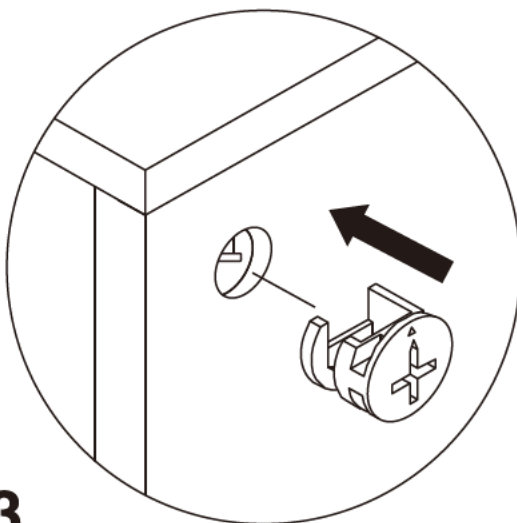
1

Screw the cam bolt into panel.



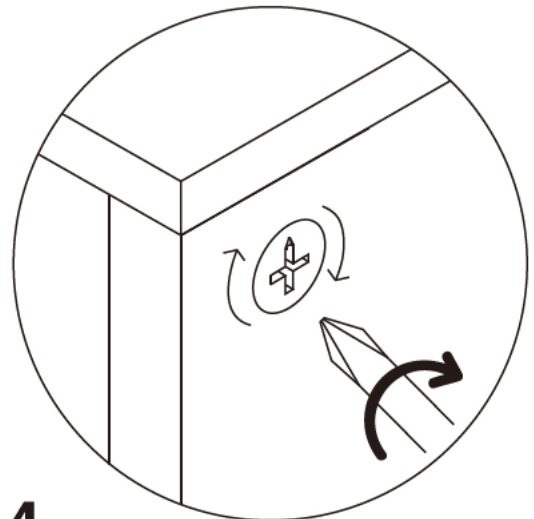
2

Insert the cam bolt into the bolt hole of joint panel.



3

Align the cam lock with its side opening (or arrow) pointing to cam bolt.



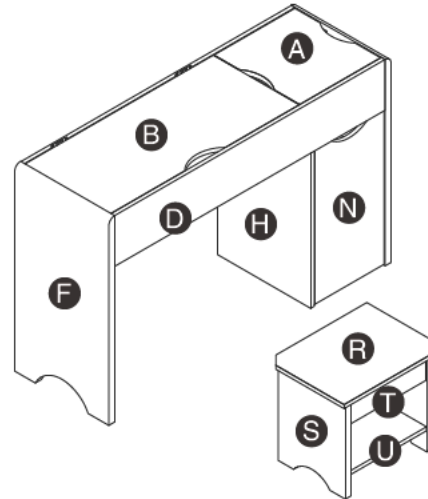
4

Turn the cam lock clockwise gently until it will not turn any more.

VANITY TABLE



- Please keep instructions for future reference.
- Check the quantity and irregularity of parts and hardware before you start.

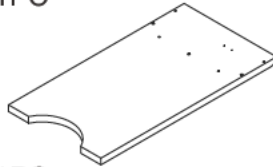


PARTS

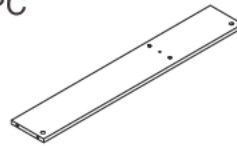
A 1PC



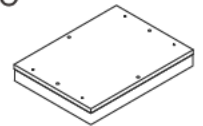
F 1PC



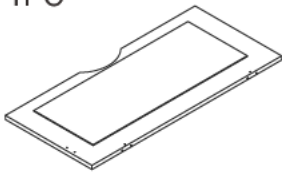
L 1PC



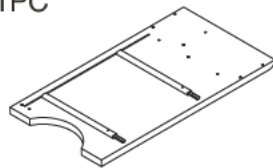
R 1PC



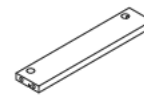
B 1PC



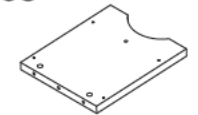
G 1PC



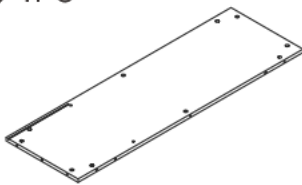
M 1PC



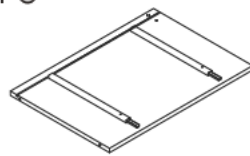
S 2PCS



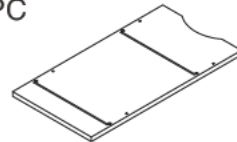
C 1PC



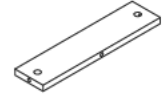
H 1PC



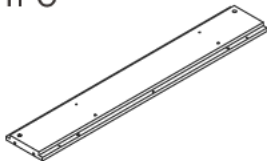
N 1PC



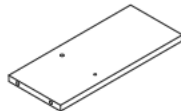
T 2PCS



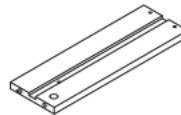
D 1PC



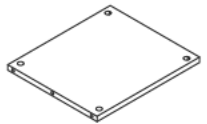
I 1PC



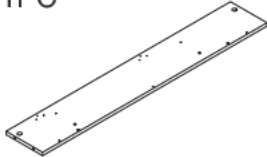
O 2PCS



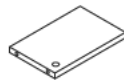
U 1PC



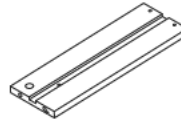
E 1PC



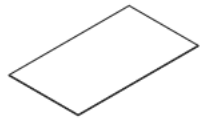
J 1PC



P 2PCS



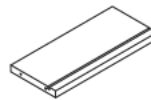
V 1PC



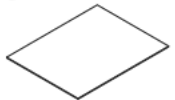
K 1PC



Q 2PCS



W 2PCS



HARDWARE

① 39PCS ② 39PCS ③ 28PCS ④ 8PCS ⑤ 4PCS ⑥ 4PCS



⑦ 2PCS ⑧ 2PCS ⑨ 12PCS ⑩ 1SET ⑪ 4PCS



ACCESSORIES

A1 10PCS A2 1PC A3 1PC



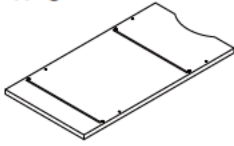
A4 1PC



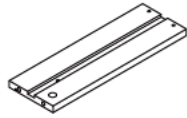
GET READY

Please group boards as below.

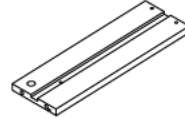
N 1PC



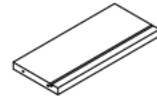
O 2PCS



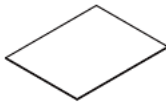
P 2PCS



Q 2PCS

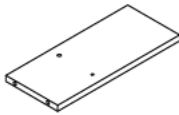


W 2PCS

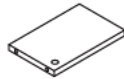


Drawer

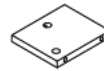
I 1PC



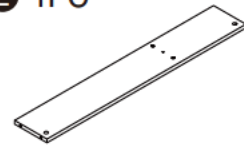
J 1PC



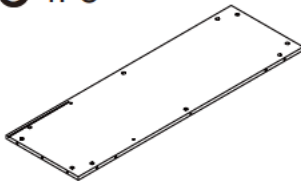
K 1PC



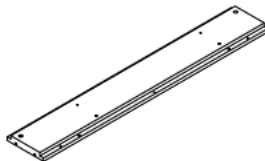
L 1PC



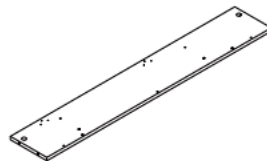
C 1PC



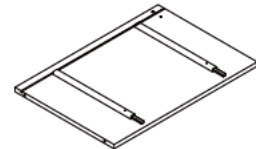
D 1PC



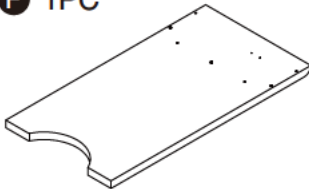
E 1PC



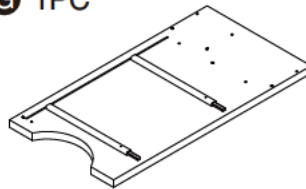
H 1PC



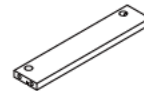
F 1PC



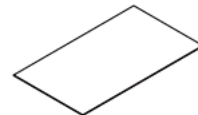
G 1PC



M 1PC



V 1PC

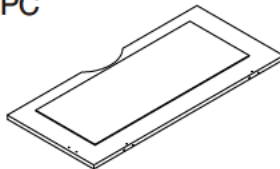


Body

A 1PC

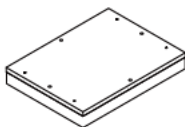


B 1PC

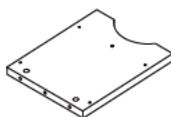


Mirror
/Top Panel

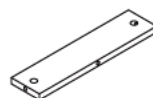
R 1PC



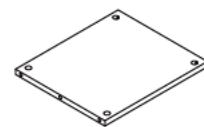
S 2PCS



T 2PCS



U 1PC



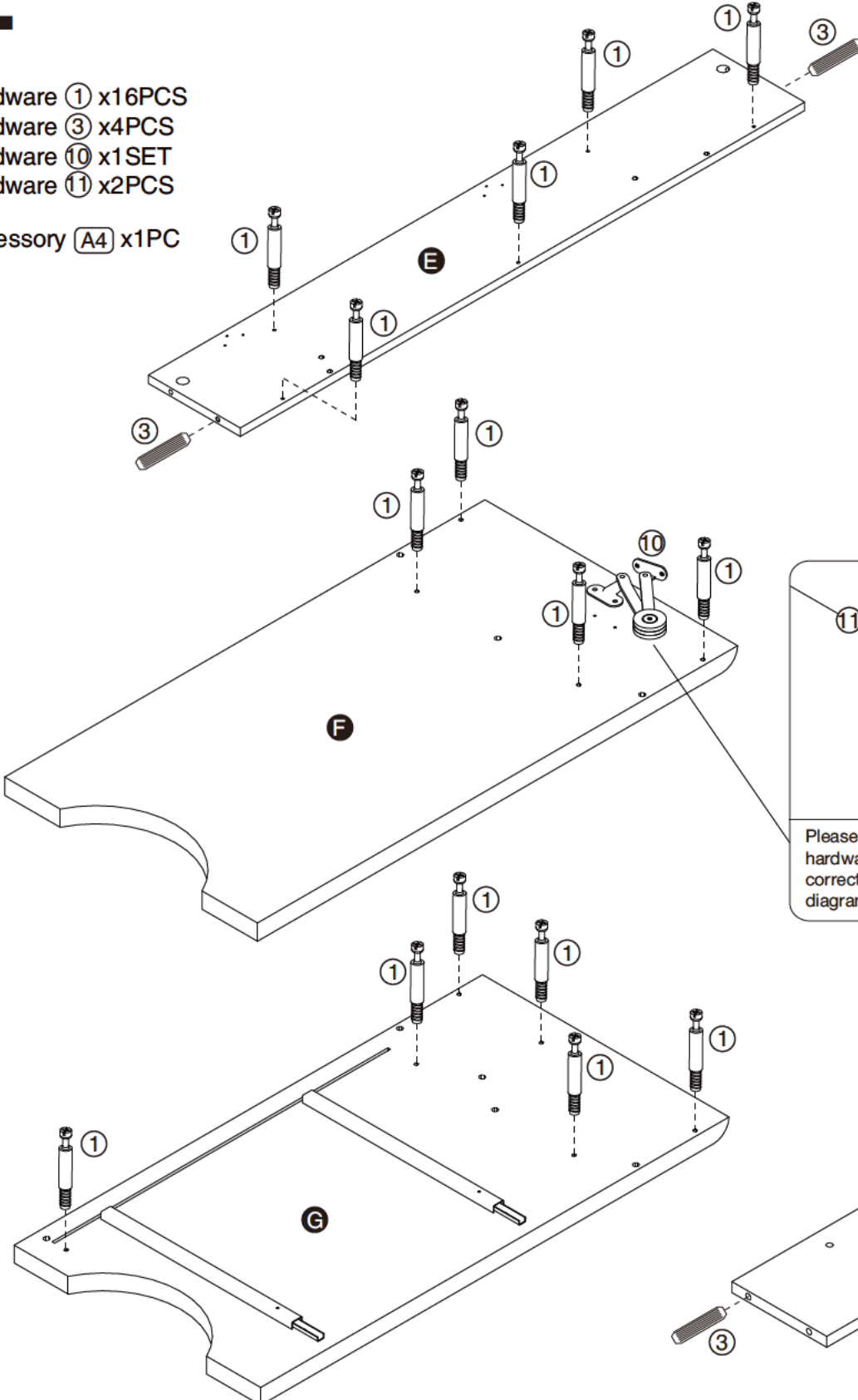
Chair

ASSEMBLY INSTRUCTIONS

2

- Hardware ① x16PCS
- Hardware ③ x4PCS
- Hardware ⑩ x1SET
- Hardware ⑪ x2PCS

Accessory [A4] x1PC



OPTIONAL

Apply a dab of glue into dowel holes of panels before inserting dowels (#3).

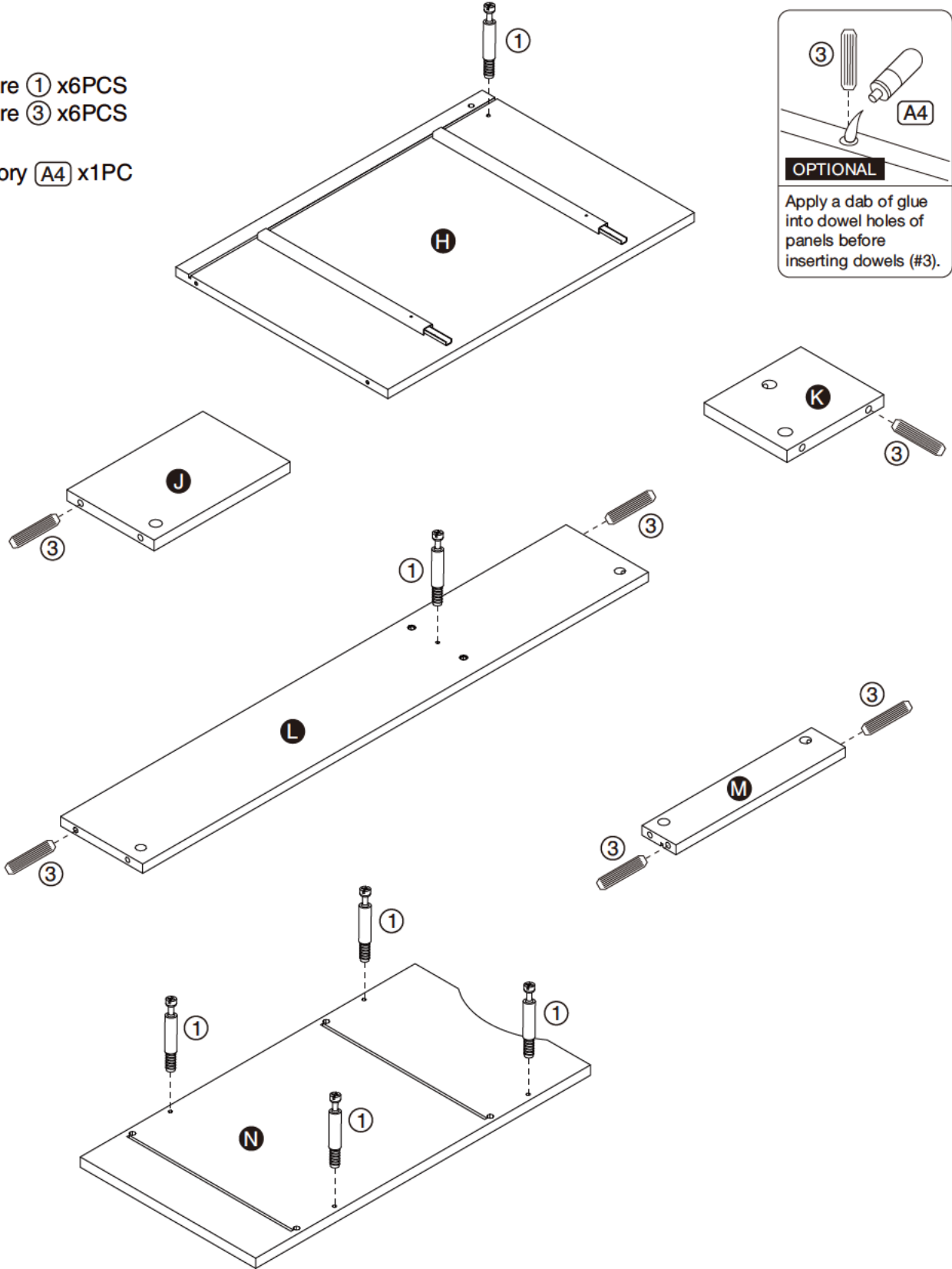
Please ensure panel (#F) and hardware (#10) are oriented correctly as shown in the diagrams.

ASSEMBLY INSTRUCTIONS

3

Hardware ① x6PCS
Hardware ③ x6PCS

Accessory A4 x1PC

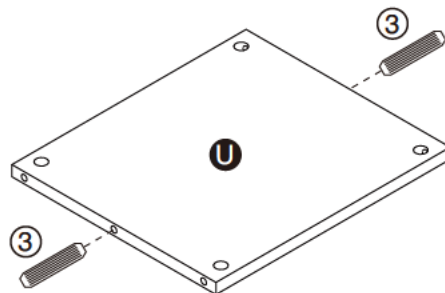
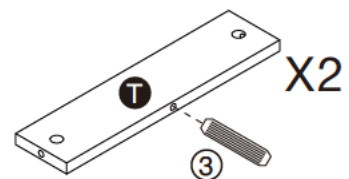
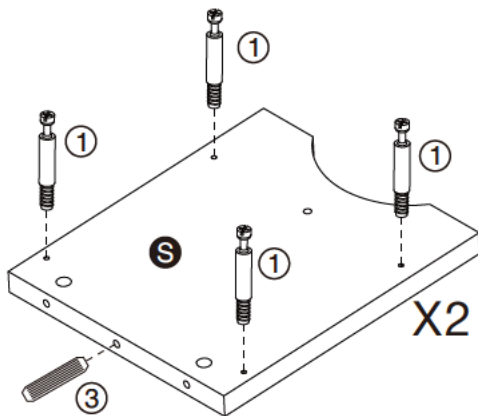
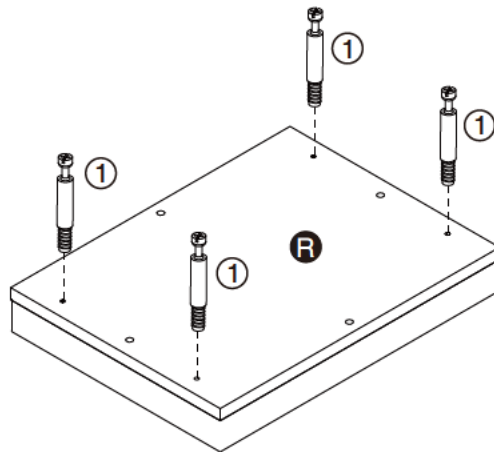
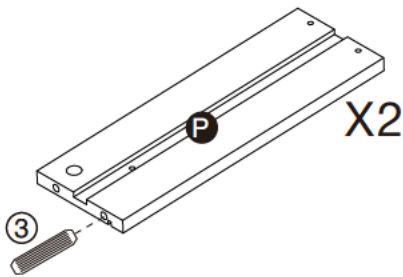
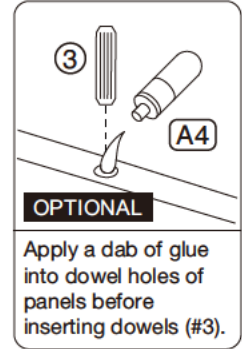
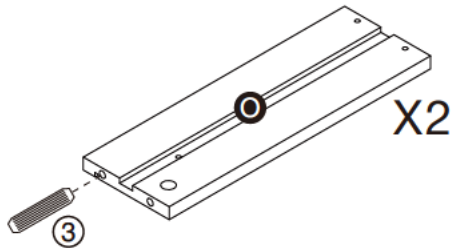


ASSEMBLY INSTRUCTIONS

4

Hardware ① x12PCS
Hardware ③ x10PCS

Accessory A4 x1PC

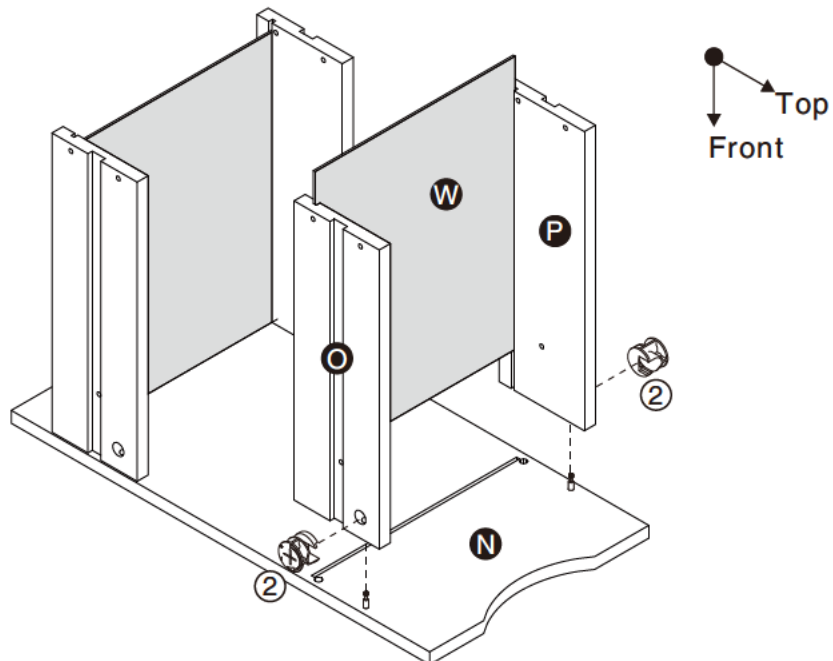
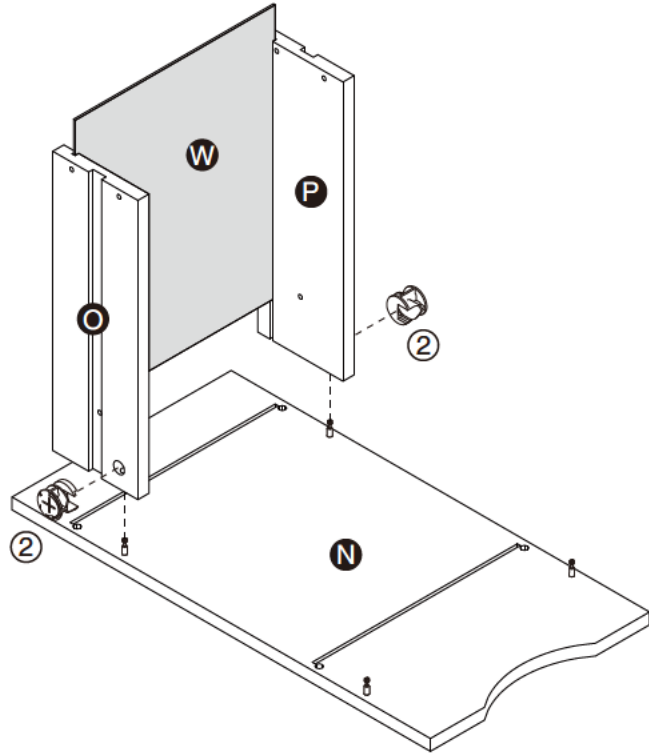
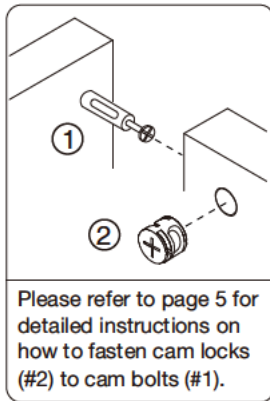


ASSEMBLY INSTRUCTIONS

5

- Part **N** x1PC
- Part **O** x2PCS
- Part **P** x2PCS
- Part **W** x2PCS

Hardware **②** x4PCS

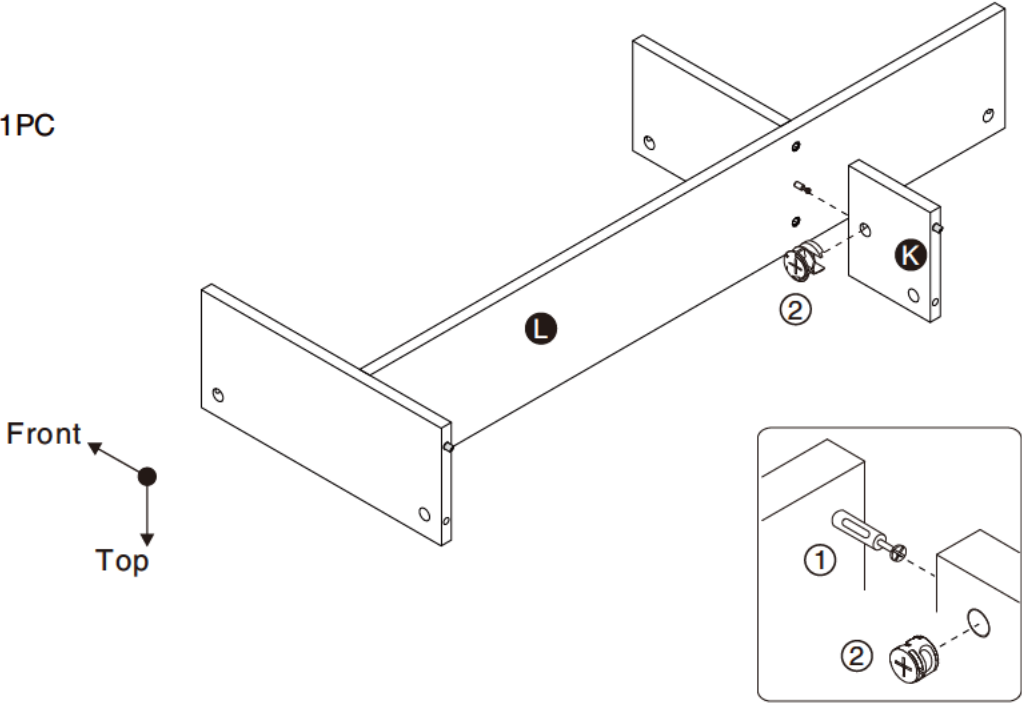


ASSEMBLY INSTRUCTIONS

8

Part **K** x1PC

Hardware **②** x1PC



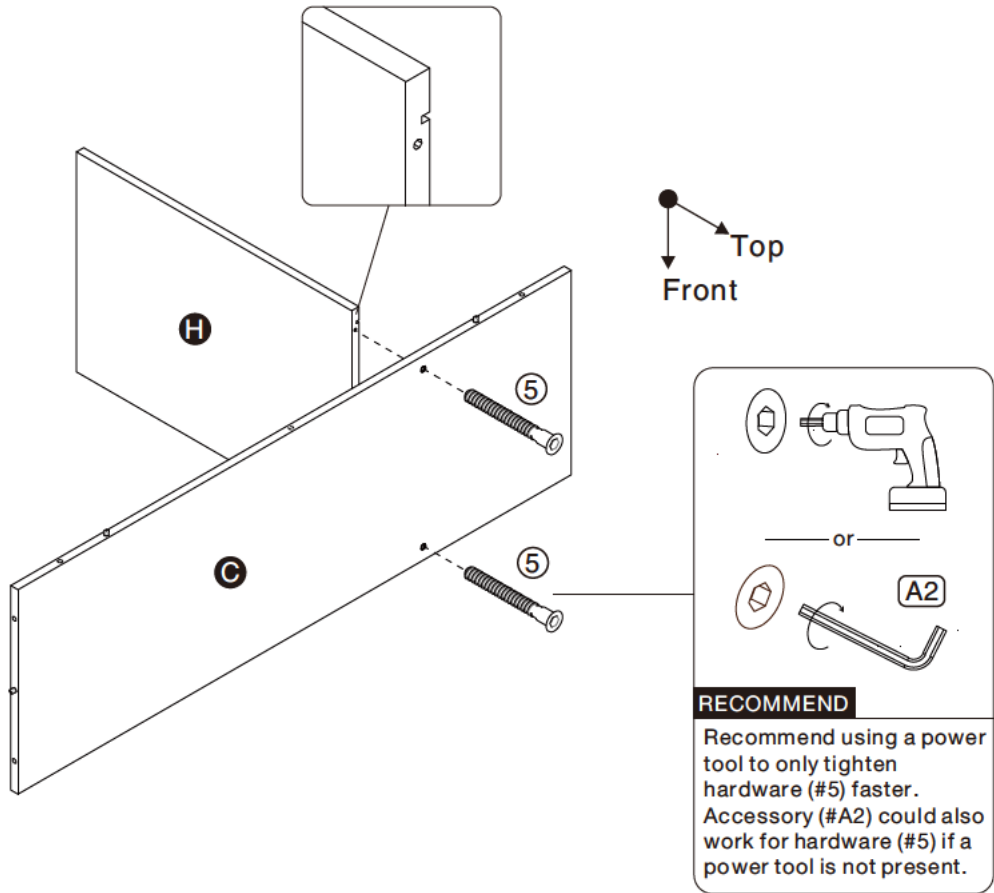
9

Part **C** x1PC

Part **H** x1PC

Hardware **⑤** x2PCS

Accessory **A2** x1PC

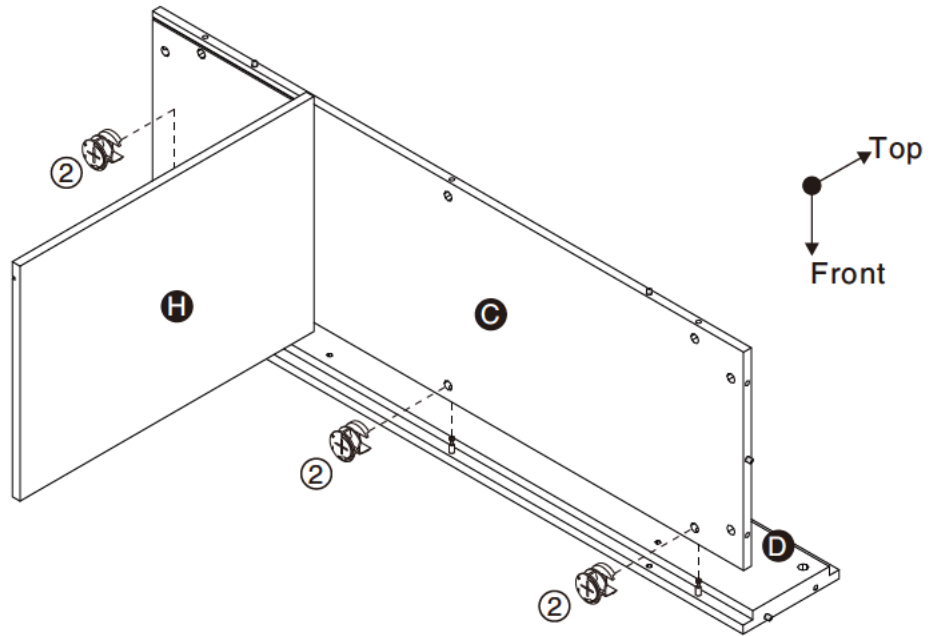
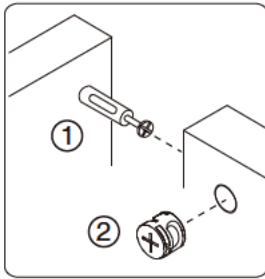


ASSEMBLY INSTRUCTIONS

10

Part **D** x1PC

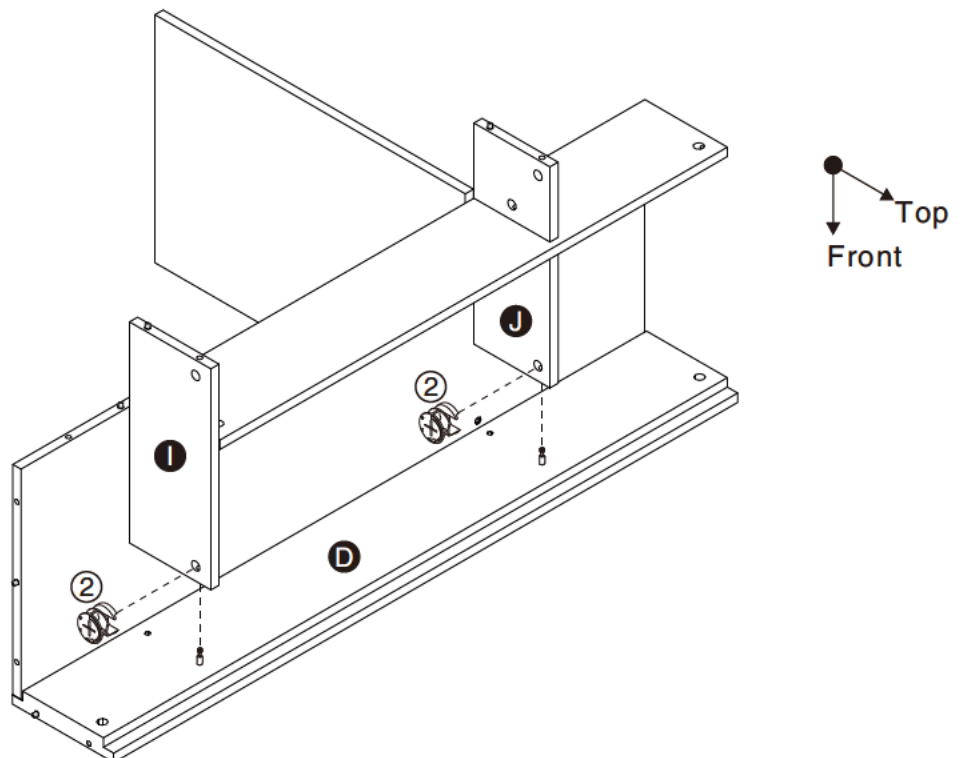
Hardware **②** x3PCS



11

Hardware **②** x2PCS

Rotate
90°

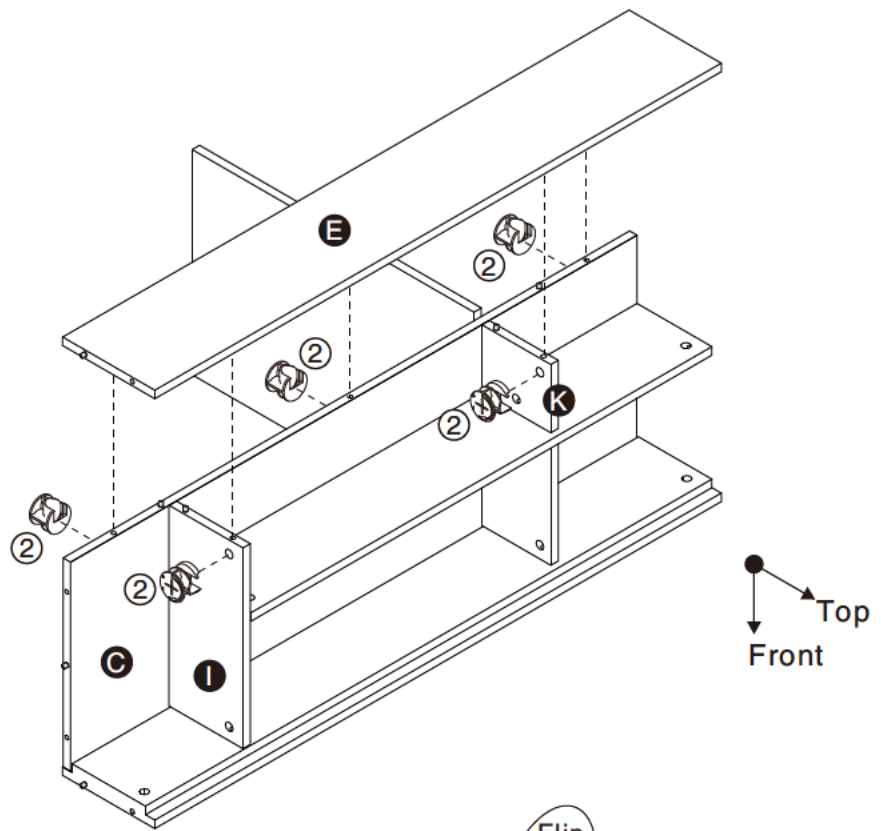
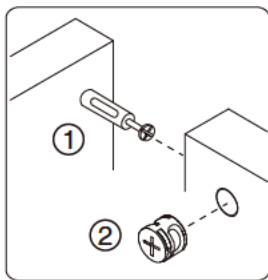


ASSEMBLY INSTRUCTIONS

12

Part **E** x1PC

Hardware **②** x5PCS



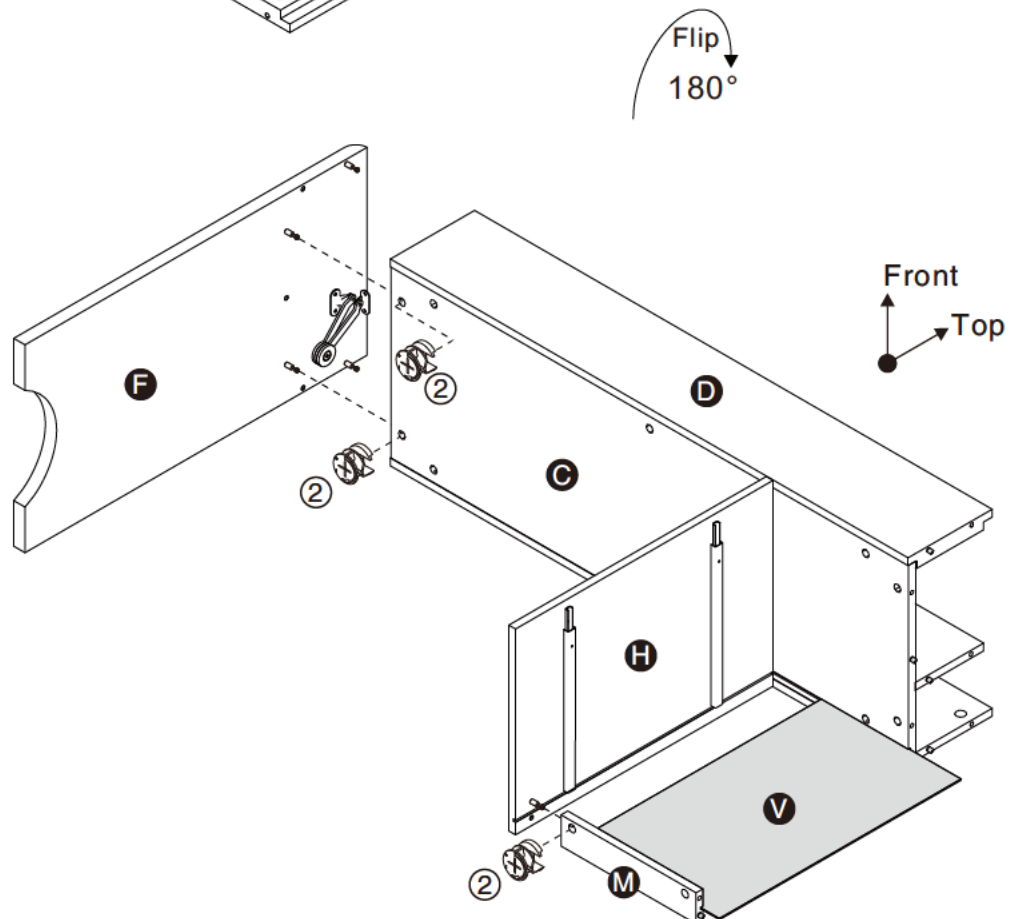
13

Part **F** x1PC

Part **M** x1PC

Part **V** x1PC

Hardware **②** x3PCS

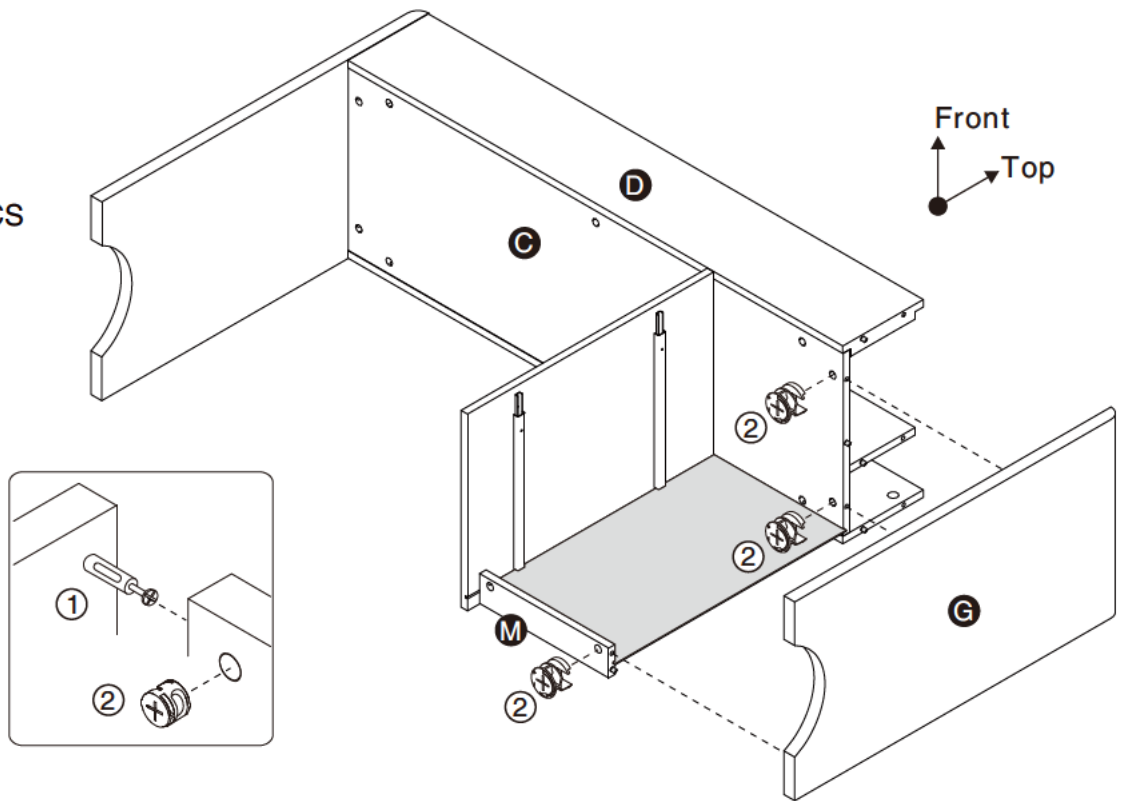


ASSEMBLY INSTRUCTIONS

14

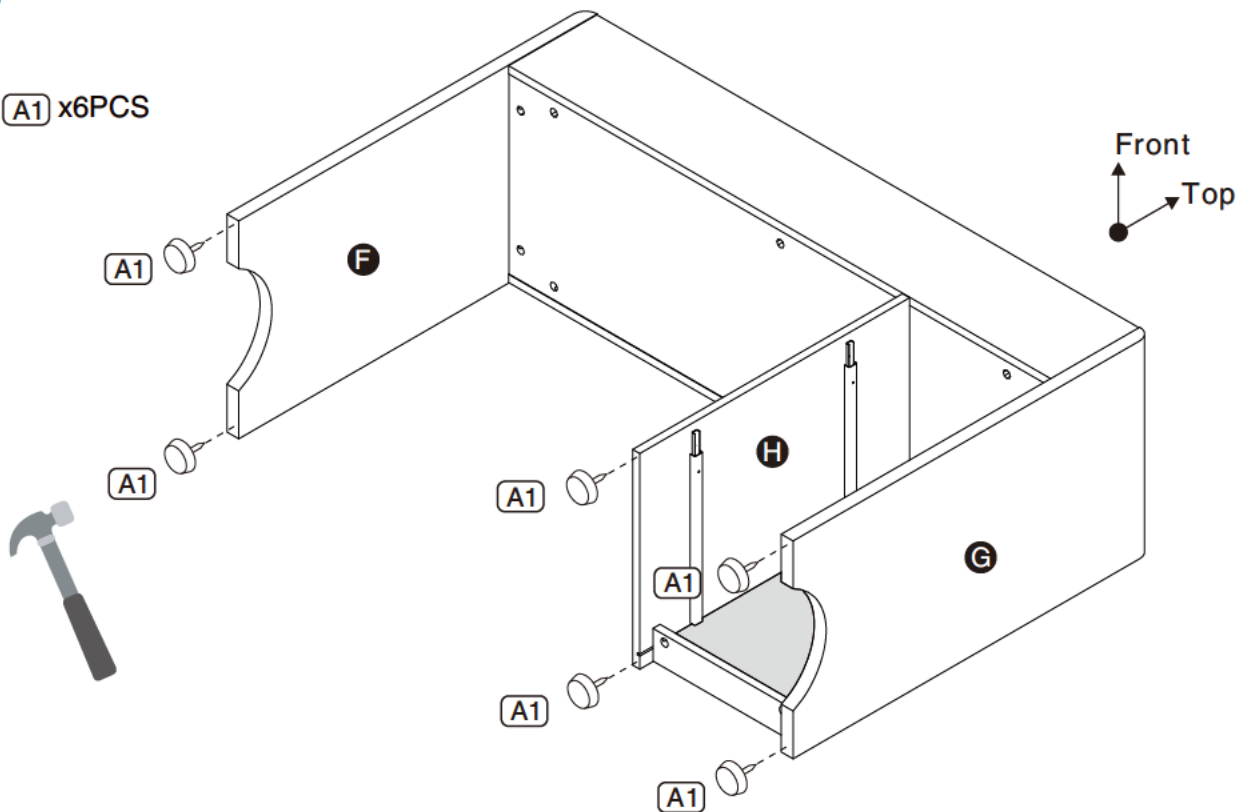
Part **G** x1PC

Hardware **2** x3PCS



15

Accessory **A1** x6PCS

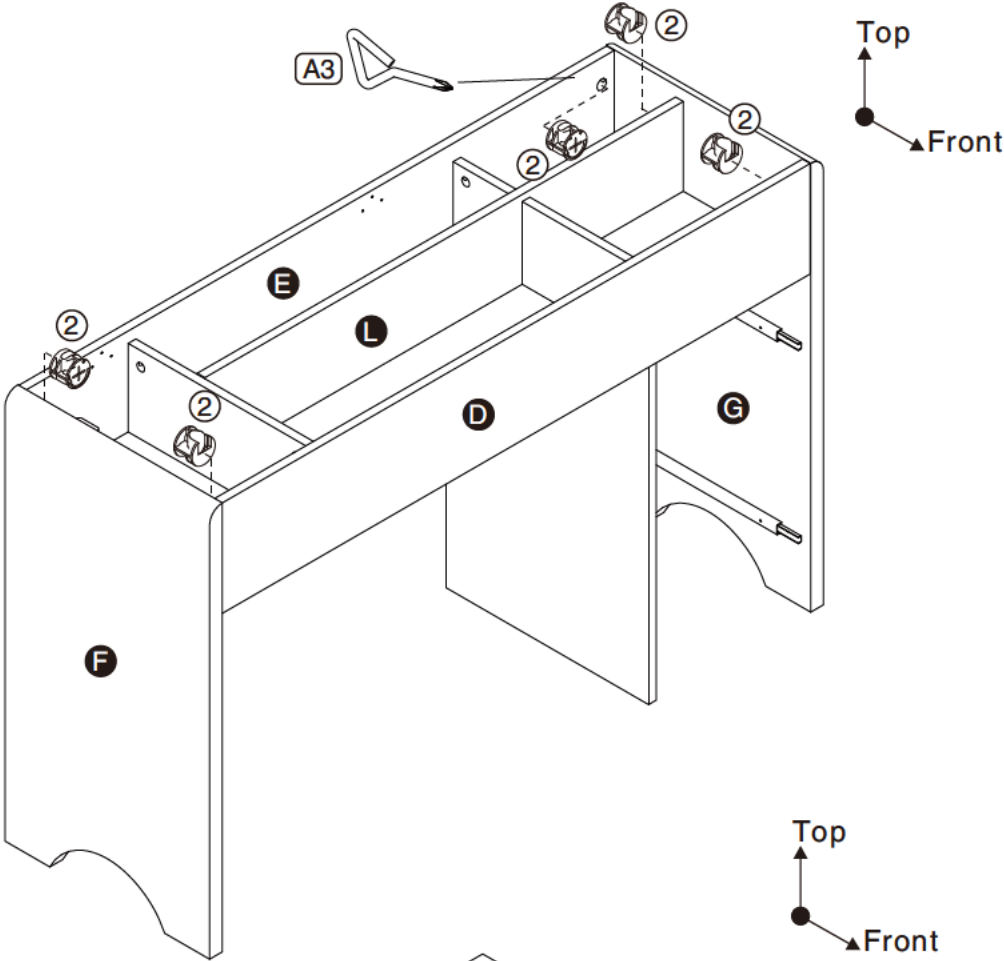
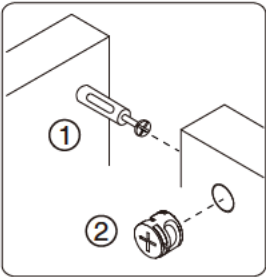


ASSEMBLY INSTRUCTIONS

16

Hardware ② x5PCS

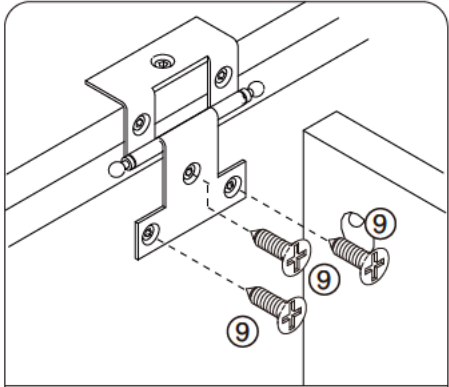
Accessory A3 x1PC



17

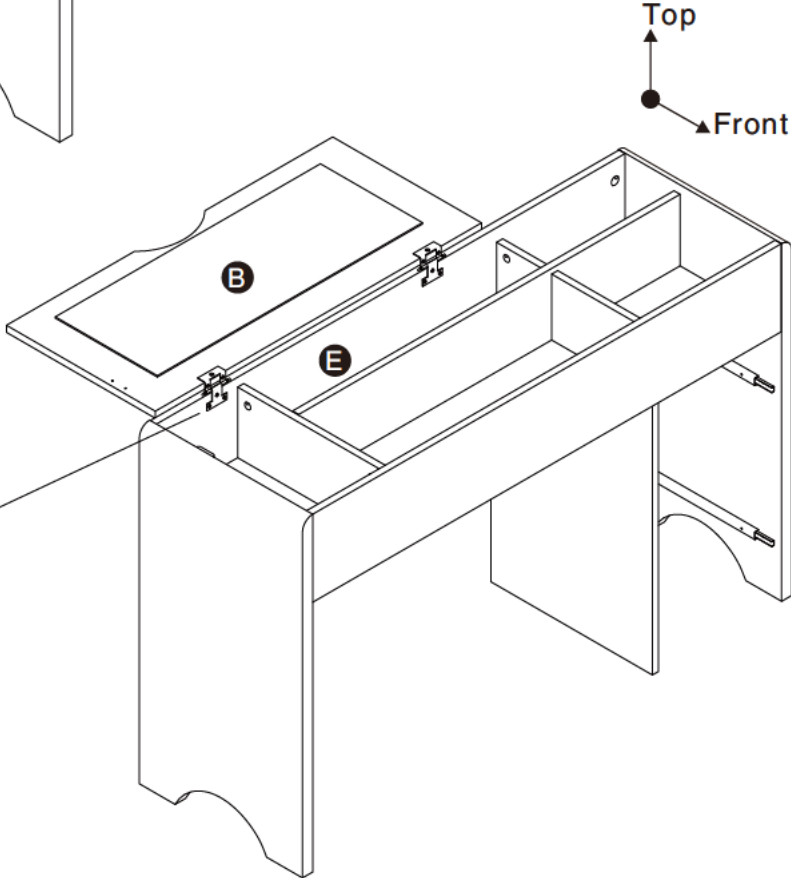
Part B x1PC

Hardware ⑨ x6PCS



Align hinges on panel (#B) to panel (#E), then secure by using screws (#9).

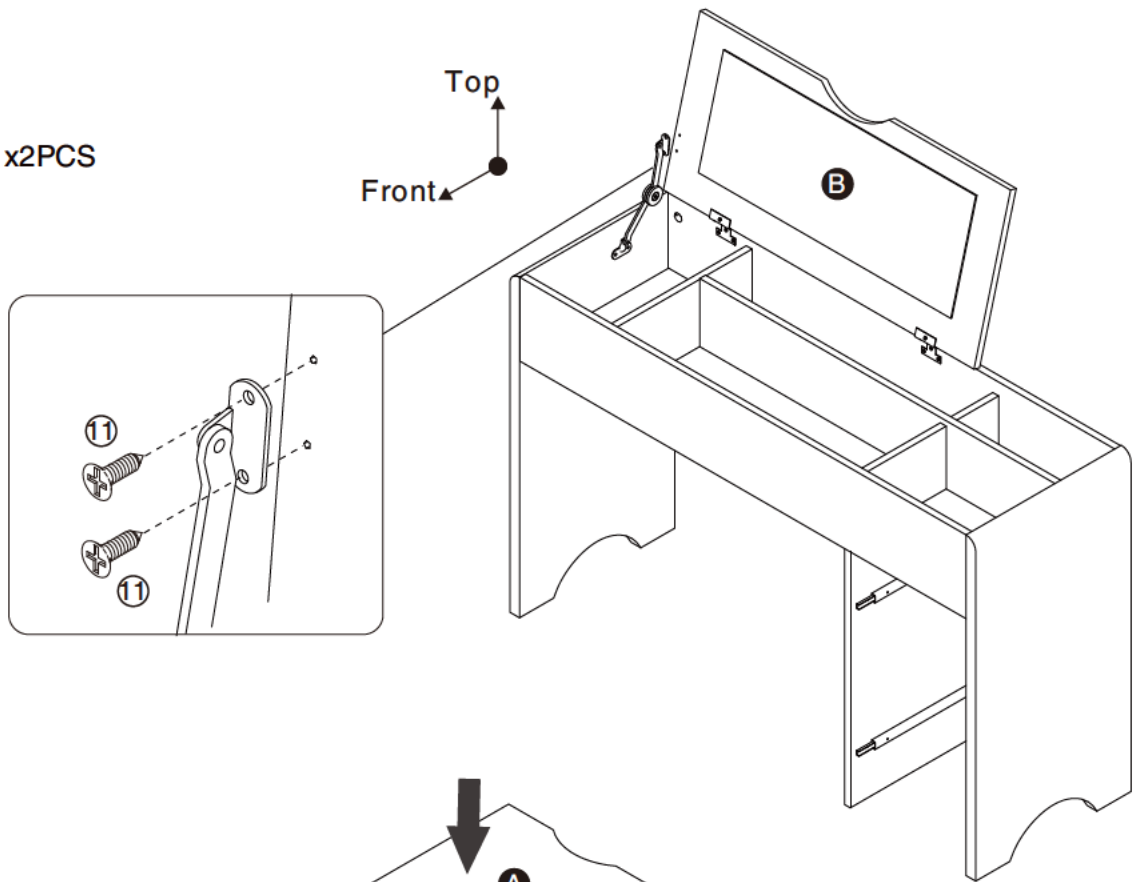
X2



ASSEMBLY INSTRUCTIONS

18

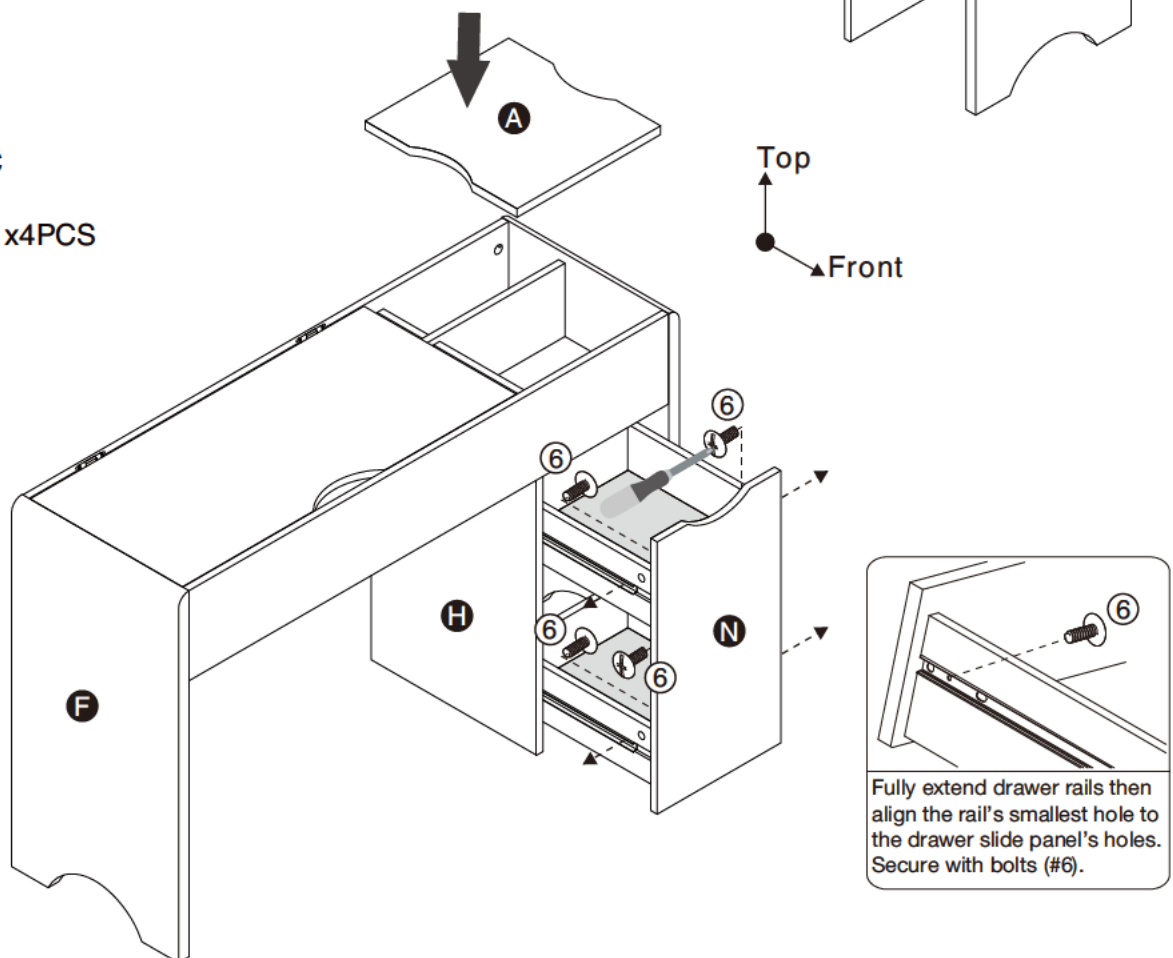
Hardware ⑪ x2PCS



19

Part A x1PC

Hardware ⑥ x4PCS

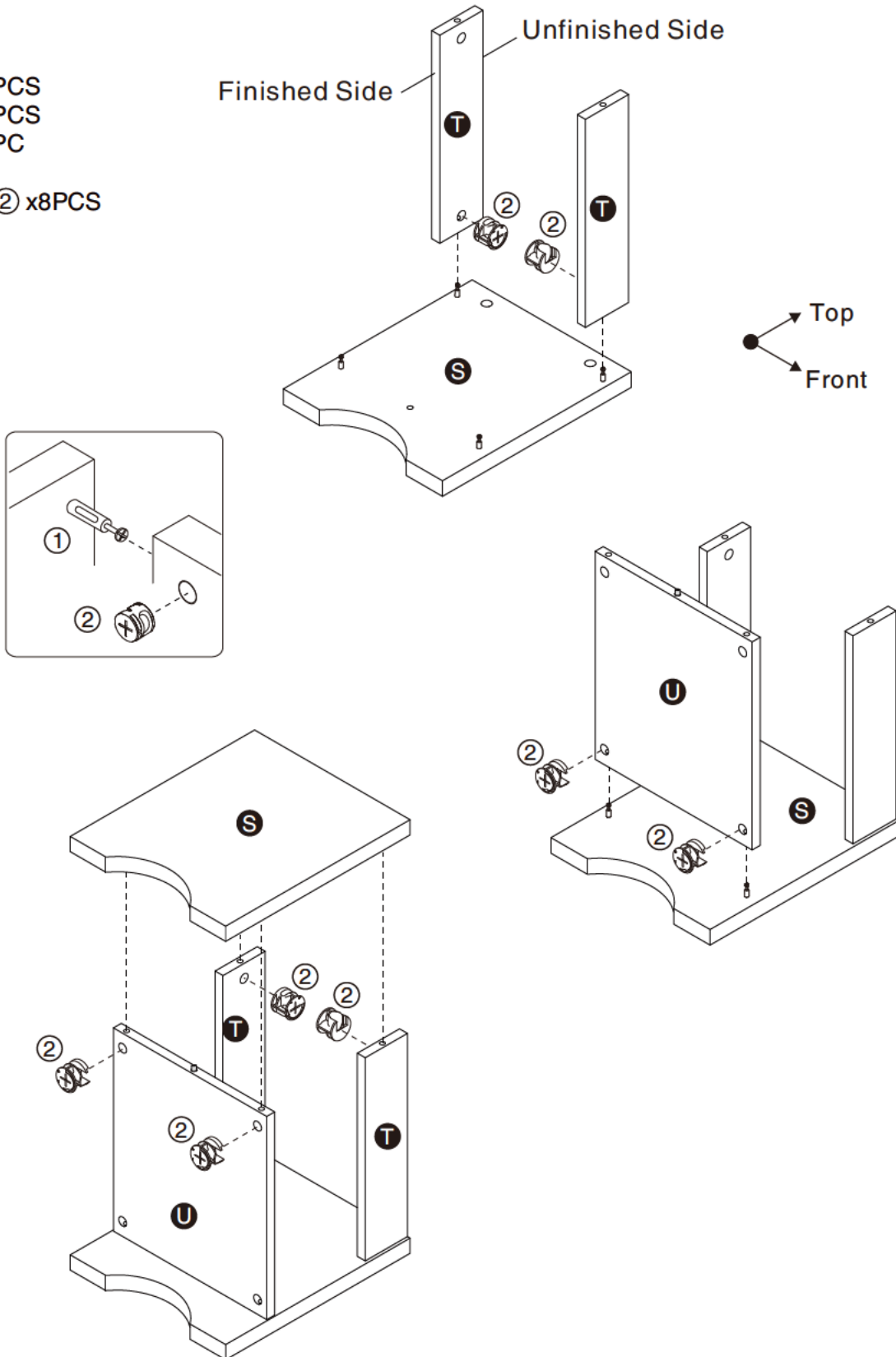


ASSEMBLY INSTRUCTIONS

20

Part **S** x2PCS
Part **T** x2PCS
Part **U** x1PC

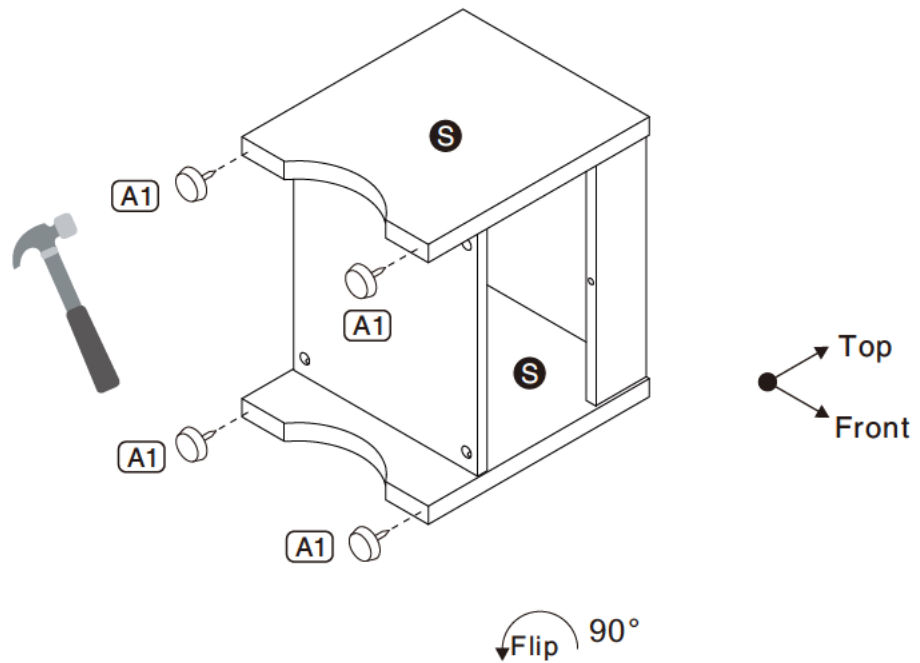
Hardware **②** x8PCS



ASSEMBLY INSTRUCTIONS

21

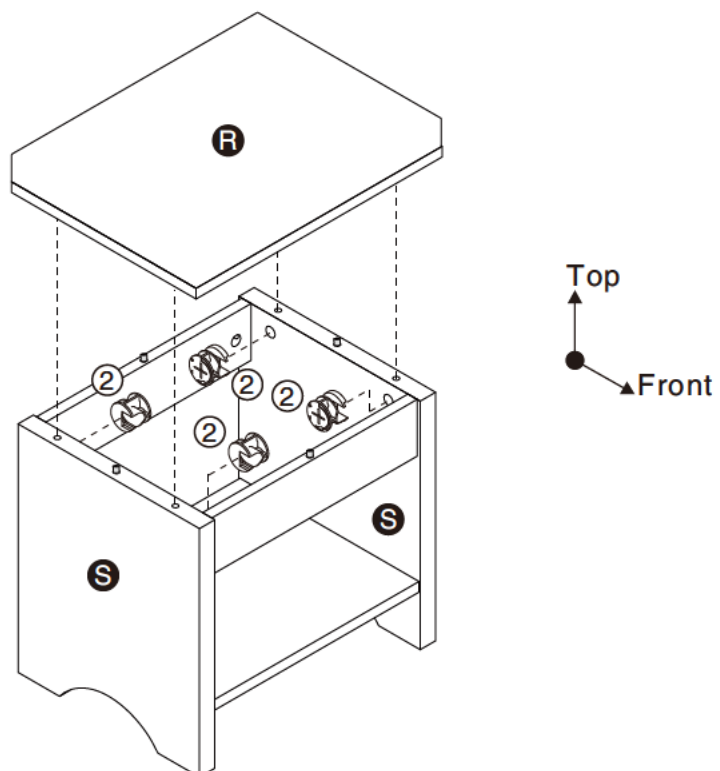
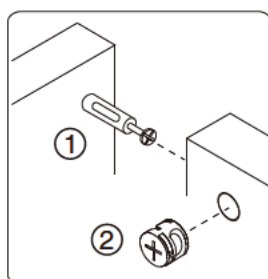
Accessory **A1** x6PCS



22

Part **R** x1PC

Hardware **2** x4PCS



ASSEMBLY INSTRUCTIONS

23

ASSEMBLY COMPLETED



Please ensure the furniture rests on an even and flat surface. If the product wobbles or feels loose, double-check all bolts and/or screws are properly tightened and secured.

✓ **Keep this handy!**

Please retain this instruction manual and any order-related information for future reference.

✓ **Lift, don't drag!**

To avoid damage to product please always LIFT the product when transporting or adjusting the placement.

