



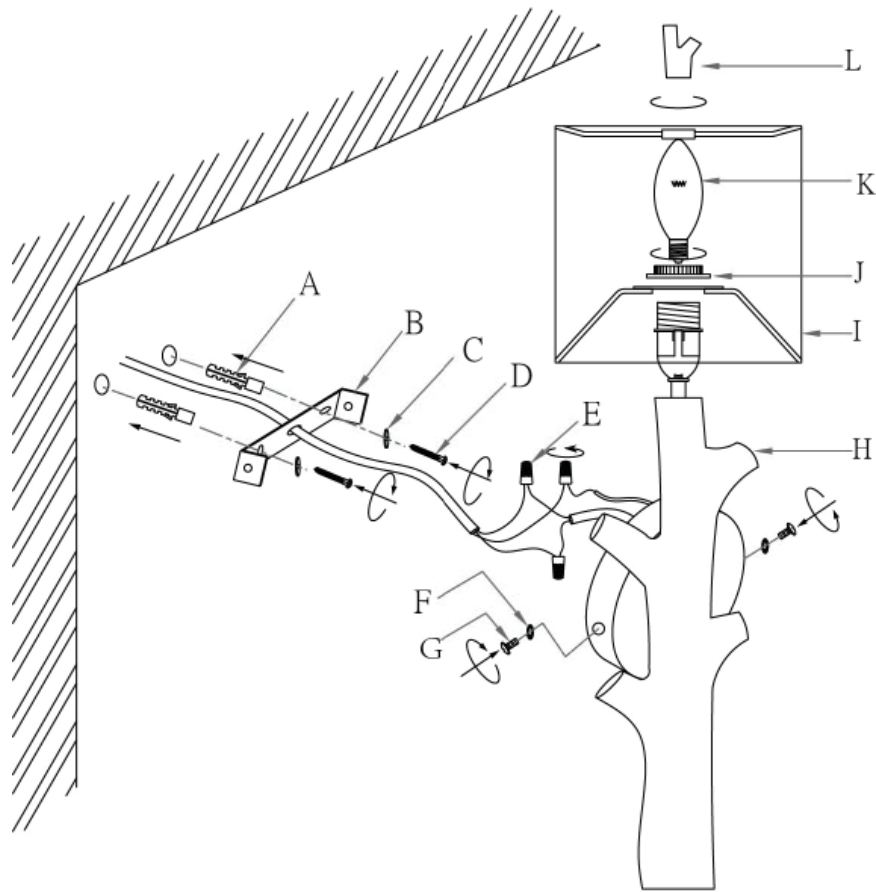
wattage 40W max

CAUTION:

Before starting, turn off power at main circuit panel.

ATTENTION:

coupez l'alimentation avant de procéder à l'installation.



1. Using mounting plate "B" as a guide, and mark the holes through mounting plate "B". And use the electrical drill make the holes. (be careful no exciting wire under the holes you drill).
2. Place the mounting plate "B" over the center of the junction box.
3. Align holes in mounting plate "B" with the holes in junction box and attach with 2 mounting screws "D" and washers "C". Secure screws "D" with a screwdriver.
4. Gently pull wiring down from the junction box and allow it to hang.
5. Carefully inspect the wires of the wall lamp and the junction box. Usually, the colour of the hot wire is black, the neutral wire is white and the ground wire is green or yellow/green.
6. The wall lamp has wires that are positive (+) and negative (-). The positive(+) wire is the wire with "letters" on it, the other wire is negative (-) .
7. Attach the hot wire of the wall lamp to the hot wire of the junction box. (usually black). Attach them together with the wire cap "E" and wrap the connection with electrical tape.
8. Attach the neutral wire of the wall lamp to the neutral wire of the junction box (usually white). Attach them together with a wire cap "E"and wrap the connection with electrical tape.
9. Attach the ground wire of the wall lamp to the ground wire of the junction box. (usually green or yellow/green). Attach them together with a wire cap "E" and wrap the connection with electrical tape.
10. Do not reverse the hot and neutral connections or safety will be compromised.
11. Push the canopy "H" up over the mounting plate "B" until it is aligned with the wall. Align holes in the canopy "H" with holes in the mounting plate "B" and secure with two screws "G" and two washers "F".
12. Place lamp shade "I" on lamp holder and secure it with lamp holder ring "J".
13. Insert a standard type A bulb, use MAX 40W bulb (bulb not included)
14. Place stably and tighten finial 'L' to secure shade 'I'.