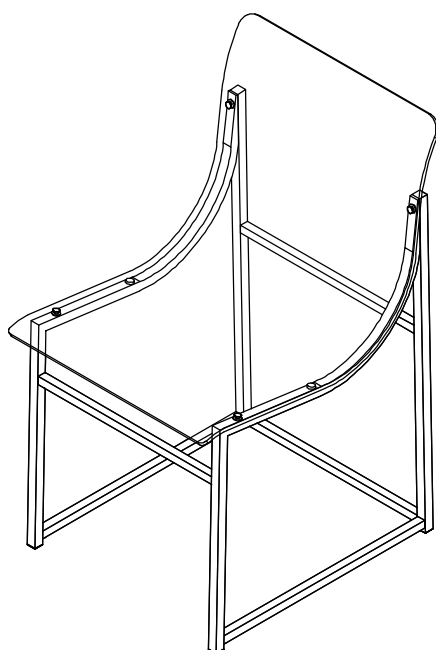


ASSEMBLY INSTRUCTIONS



DINI **NG CHAIR**

ASSEMBLY INSTRUCTIONS

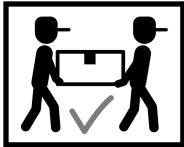
ASSEMBLY TIPS:

1. Remove hardware from box and sort by size.
2. Please check to see that all hardware and parts are present prior to start of assembly.
3. Please follow attached instructions in the same sequence as numbered to assure fast & easy assembly.



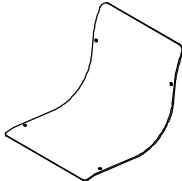
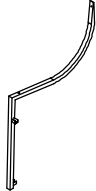
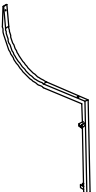
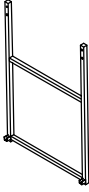

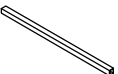
WARNING!

1. Don't attempt to repair or modify parts that are broken or defective. Please contact the store immediately.
2. This product is for home use only and not intended for commercial establishments.



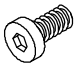
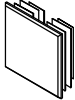
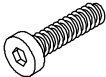

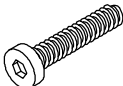




ASSEMBLY TIME 20 MINUTES

PARTS IDENTIFICATION

A	SEAT AND BACK		1PC
B	LEFT LEG		1PC
C	RIGHT LEG		1PC
D	BACK FRAME		1PC
E	LONG CROSSBAR		2PCS
F	SHORT CROSSBAR		1PC

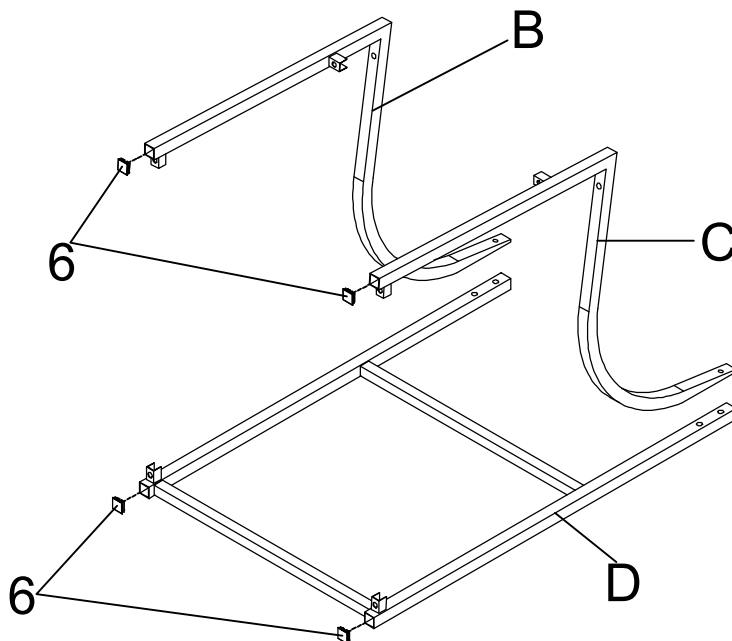
ASSEMBLY INSTRUCTIONS

HARDWARE IDENTIFICATION

1	SHORT BOLT (1/4" x 12mm SR)		6PCS	6	CAP (18 x 18mm BLK)		4PCS
2	LONG BOLT (1/4" x 22mm SR)		4PCS	7	COVER		4PCS
3	LONG BOLT (1/4" x 30mm SR)		2PCS	8	SUCTION CUP		2PCS
4	NUT		4PCS	9	ALLEN WRENCH (4mm)		1PC
5	PLASTIC WASHER		4PCS				

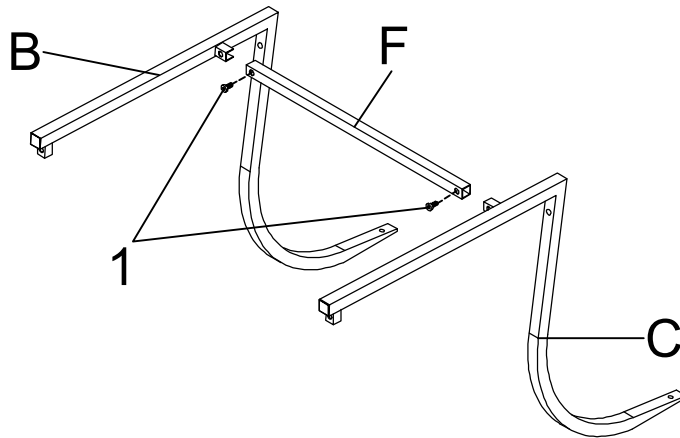
STEP 1

Do not tighten until each step is completed or instructed.

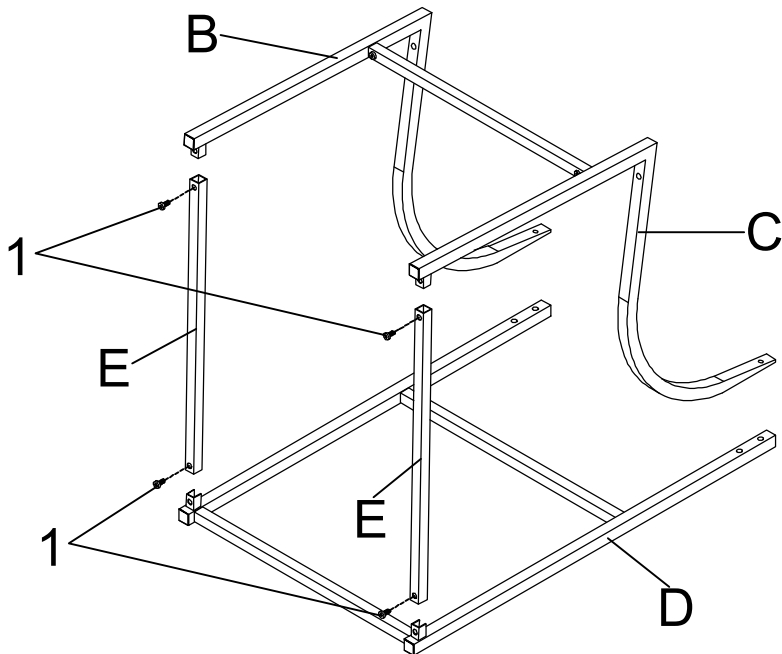


ASSEMBLY INSTRUCTIONS

STEP 1 Do not tighten until each step is completed or instructed.

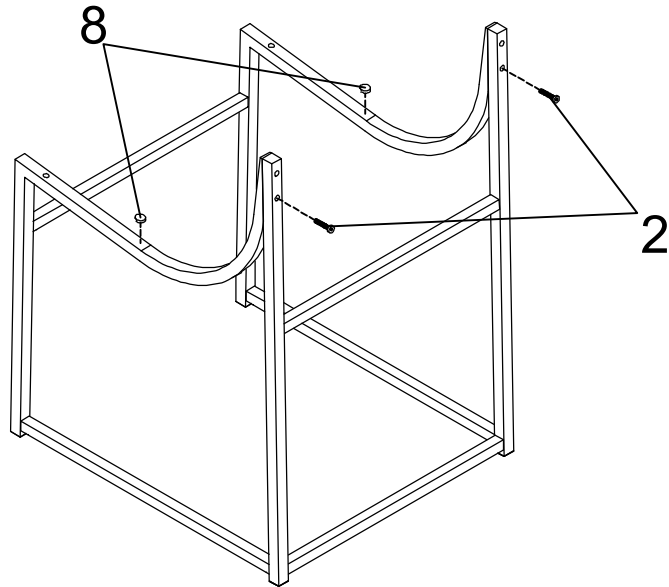


STEP 2

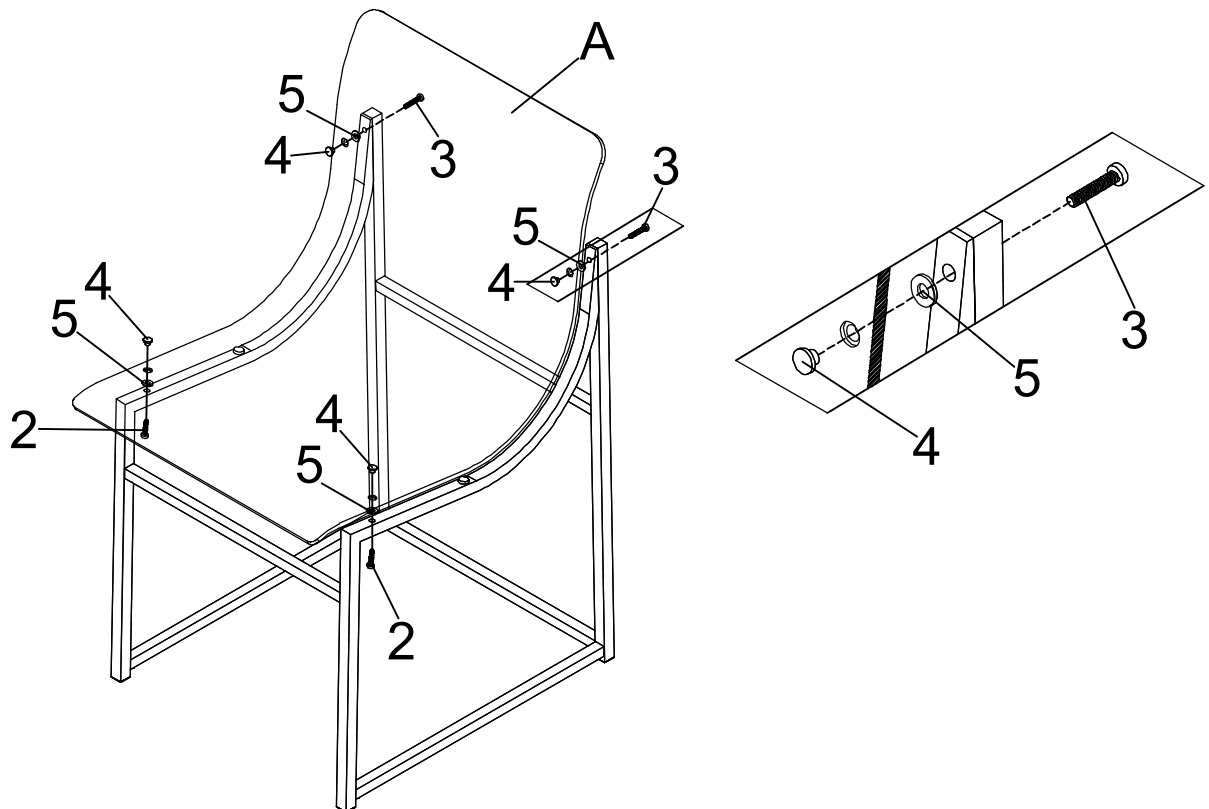


ASSEMBLY INSTRUCTIONS

STEP 3

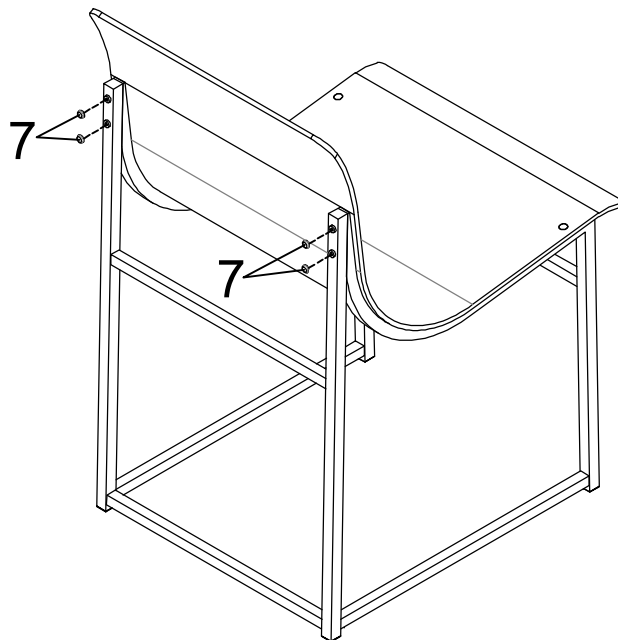


STEP 4

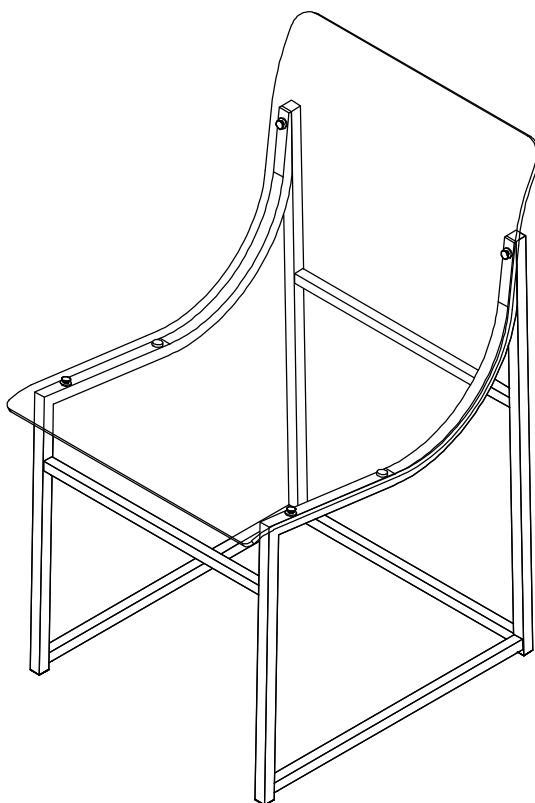


ASSEMBLY INSTRUCTIONS

STEP 5



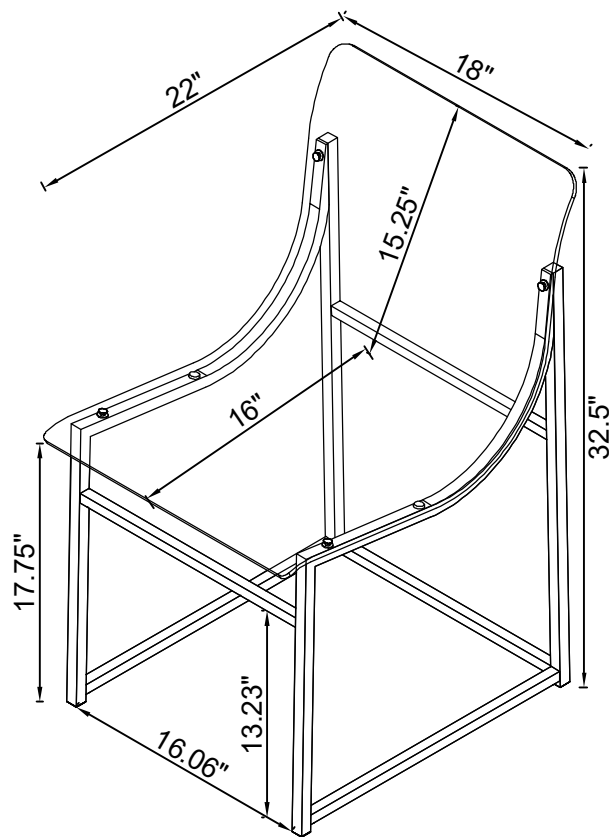
STEP 6



ASSEMBLY INSTRUCTIONS

Product Size : 457 X 559 X 826 H (MM)

Product Size : 18" X 22" X 32.5"



Note : Dimension tolerance $\pm 5\%$