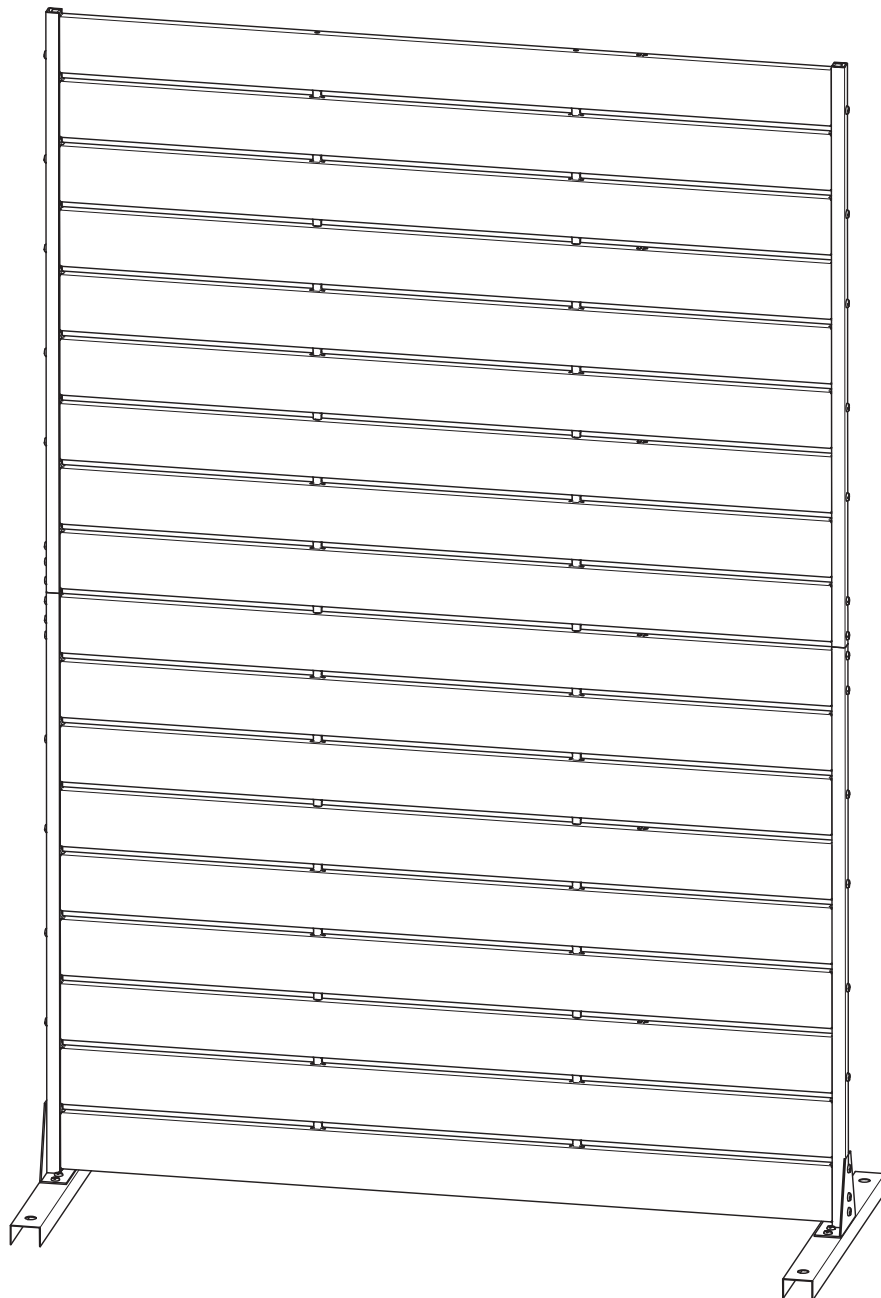



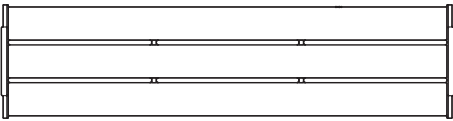
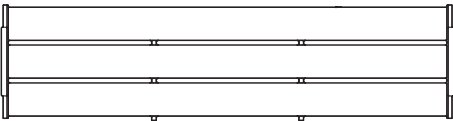

Outdoor & Indoor Privacy Screen







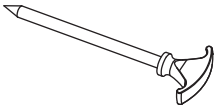
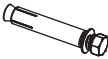

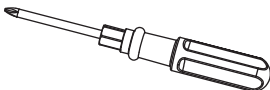
ASSEMBLY INSTRUCTION

If the privacy screen will be used in a strong wind area, we highly recommend that you use the Ground Stakes or the Hex-Head Sleeve Anchors to secure it to the ground.

PART LIST

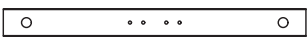


PART	DESCRIPTION	QTY
A	 Stand Foot	2 PCS
B	 Bottom Screen Panel	1 PCS
C	 Screen Panel	5 PCS
D	 Bottom Sidebar	2 PCS

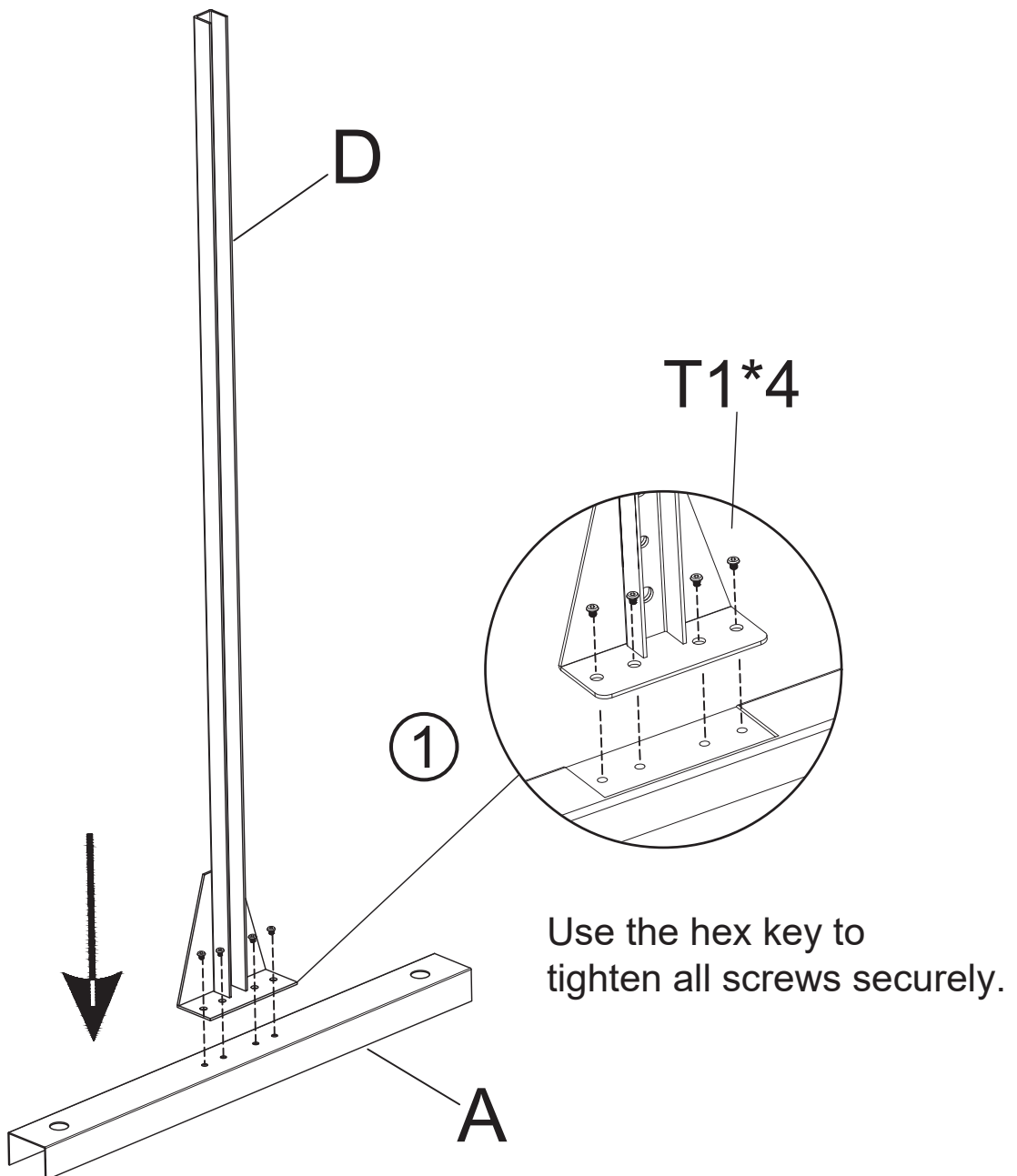
PART LIST

PART	DESCRIPTION	QTY
E	 Top Sidebar	2 PCS
F	 Connecting Plate	2 PCS
T1	 Screw M6 x 8	12 PCS
T2	 Screw M6 x 16	24 PCS
T3	 Ground Stake	4 PCS
T4	 Hex-Head Sleeve Anchor	4 PCS
	 Hex Key	1 PCS
	 Screw drive	1 PCS

Step 1.1

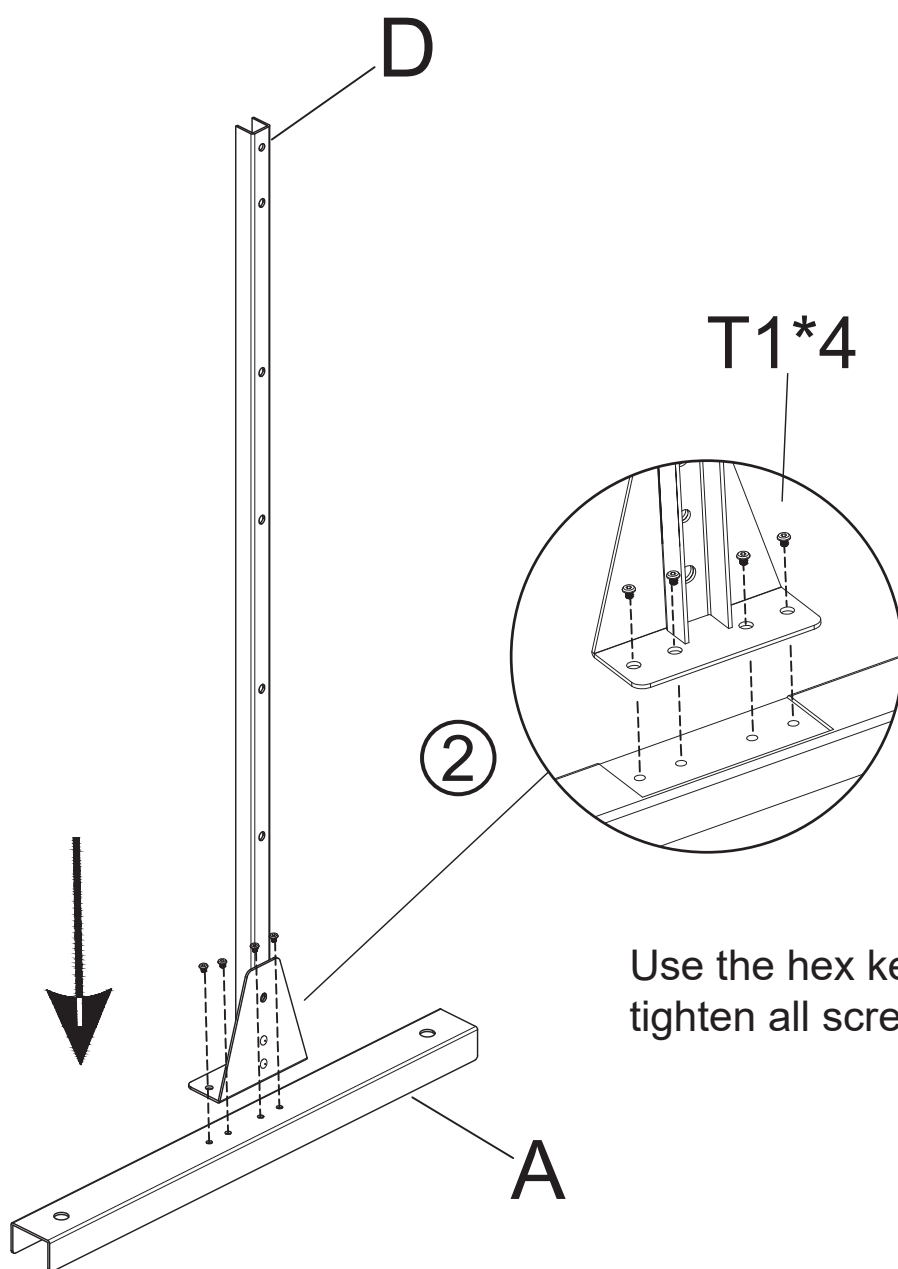
Assemble the Bottom Sidebar (D) to the Stand Foot (A)

A		2 PCS
D		2 PCS
T1		8 PCS



Step 1.2

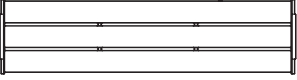

Assemble the Bottom Sidebar (D) to the Stand Foot (A)

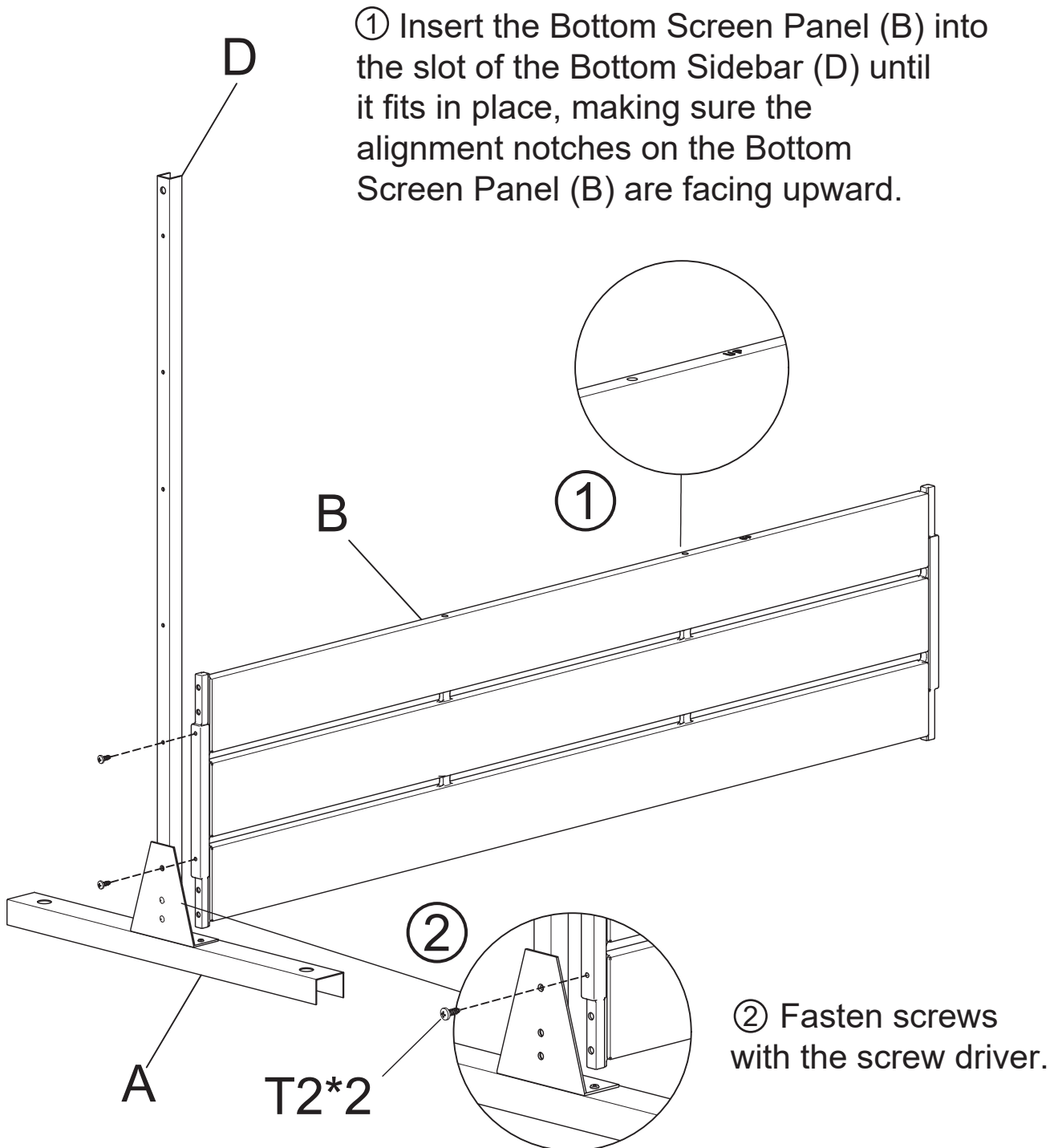


Use the hex key to tighten all screws securely.

Step 2.1

Attach the Bottom Screen Panel (B)

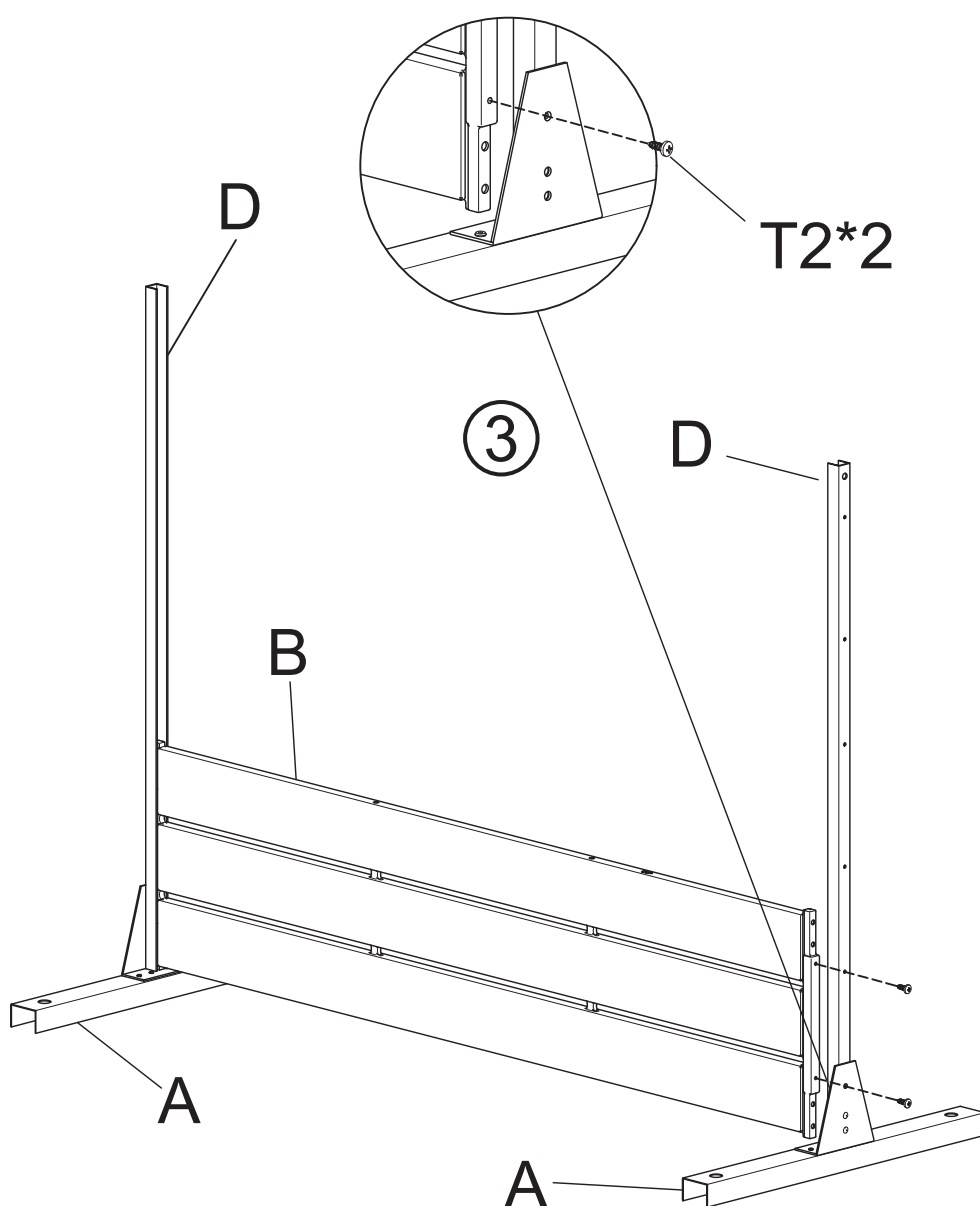
B		1 PCS
T2		4 PCS



Step 2.2

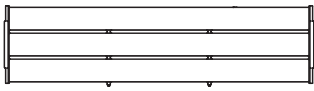

Attach the Bottom Screen Panel (B)

③ Insert the other side of the Bottom Screen Panel (B) into the slot of another Bottom Sidebar (D) until it fits in place, and then fasten screws.

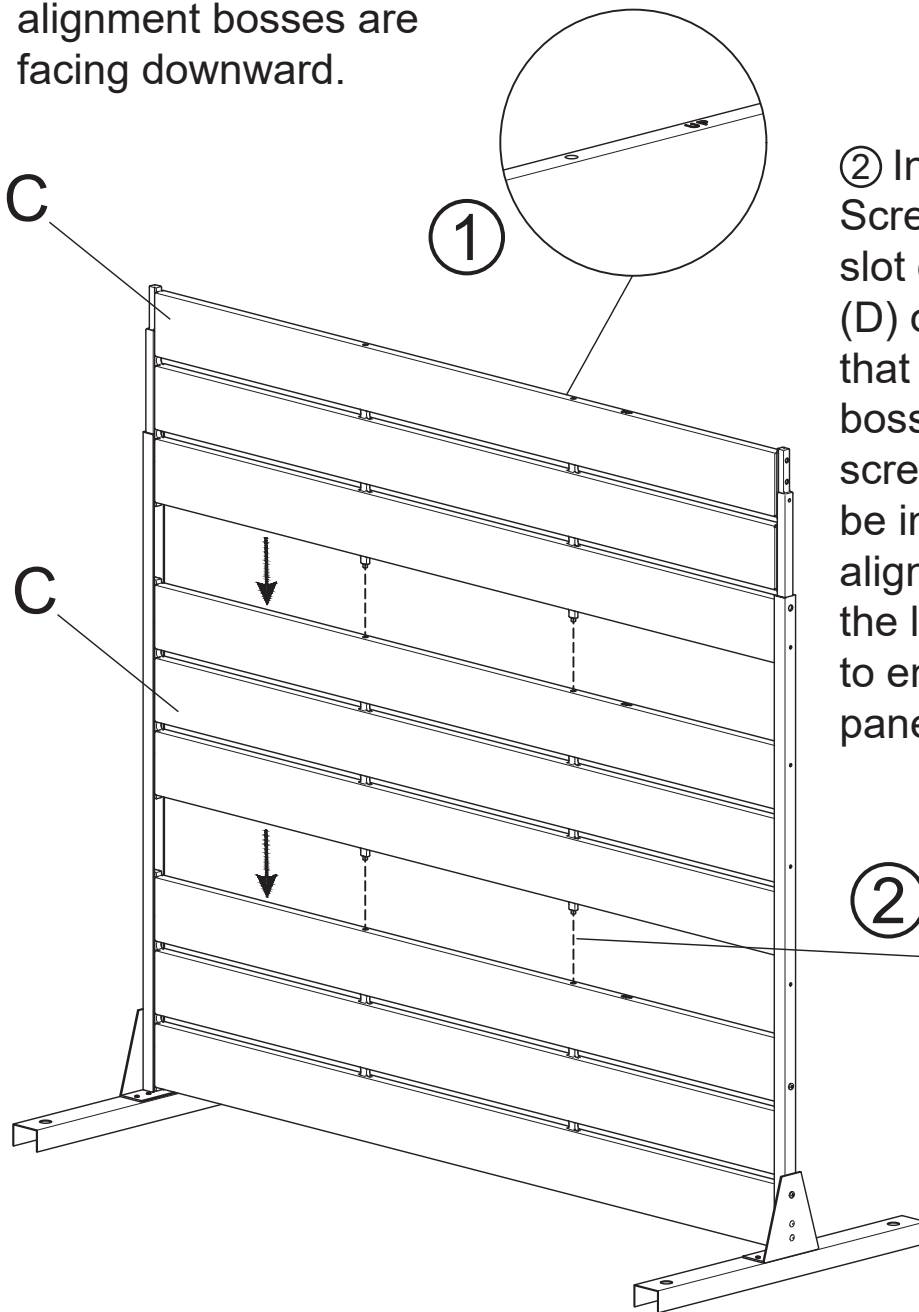


Step 3.1

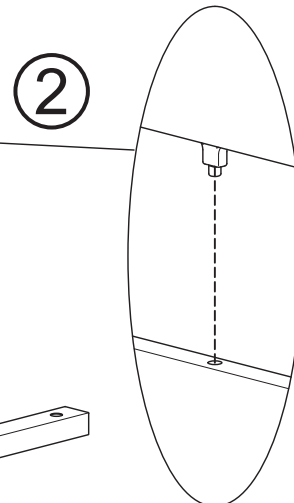
Attach the 2nd and 3rd Screen Panel (C)

C		2 PCS
T2		8 PCS

① Make sure the alignment notches on the Screen Panel (C) are facing upward and the alignment bosses are facing downward.



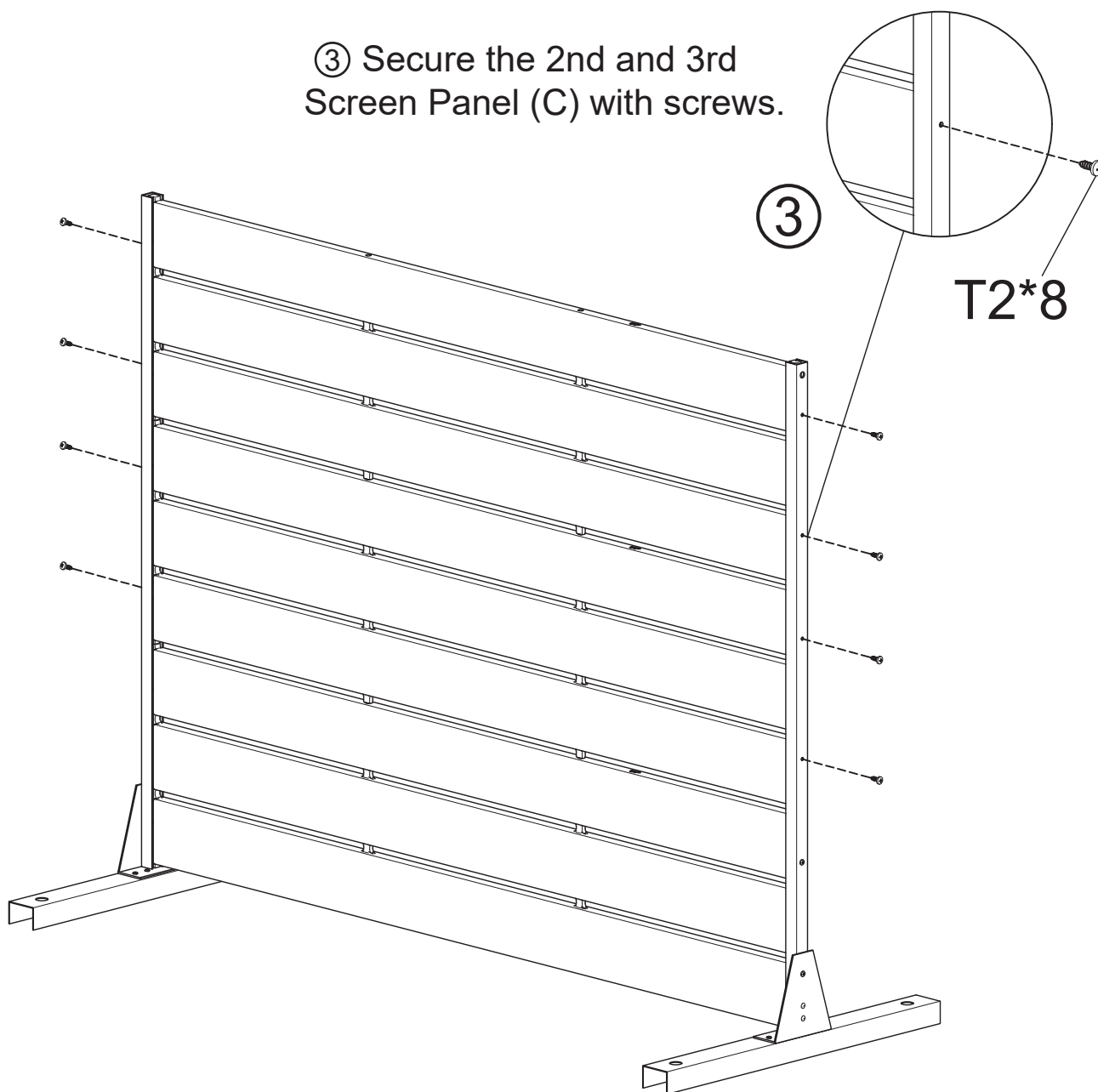
② Insert the 2nd and 3rd Screen Panel (C) into the slot of the Bottom Sidebar (D) one by one. Note that the alignment bosses on the upper screen panel must be inserted into the alignment notches of the lower screen panel, to ensure all screen panels are perfectly flush.



Step 3.2

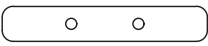

Attach the 2nd and 3rd Screen Panel (C)

③ Secure the 2nd and 3rd Screen Panel (C) with screws.

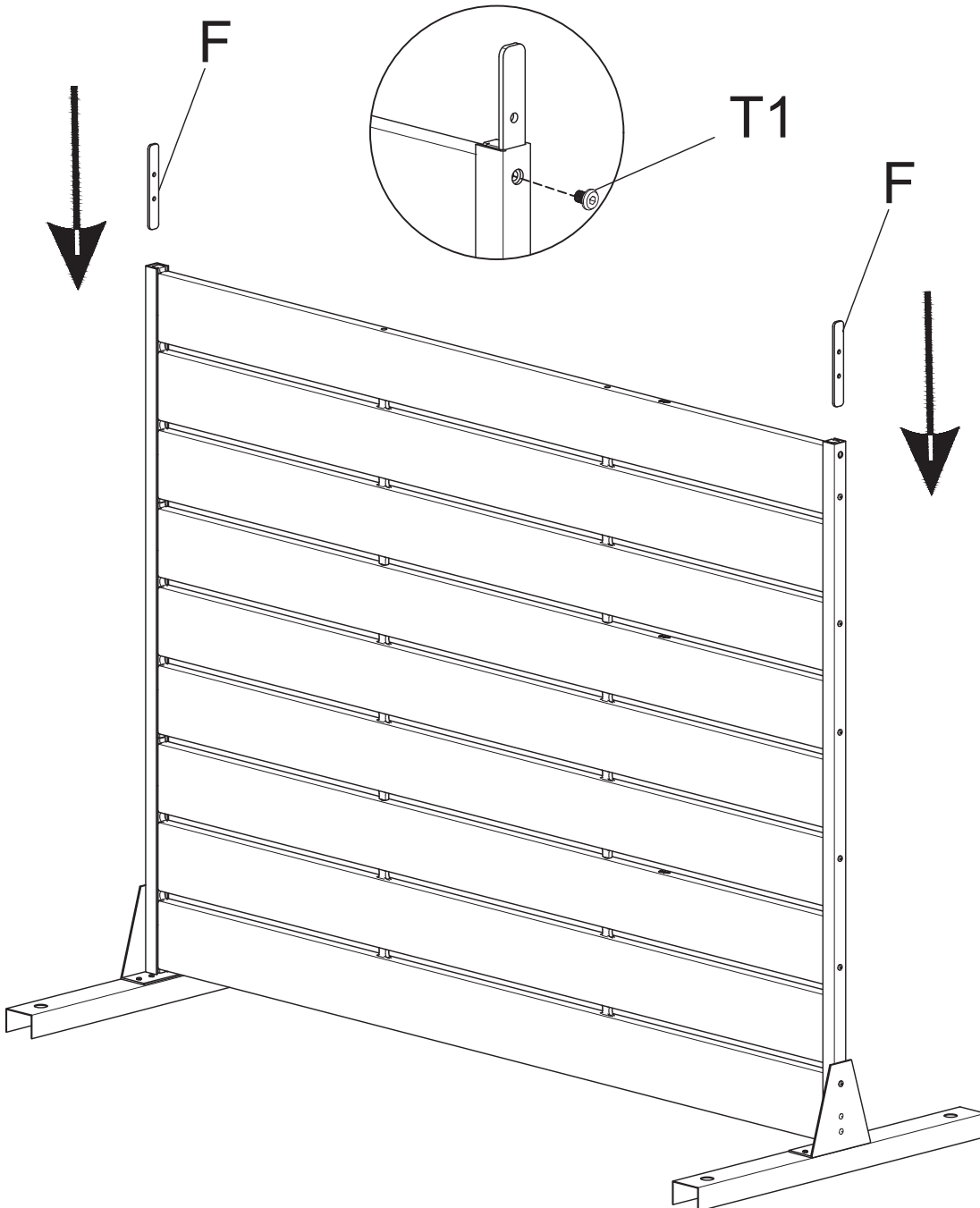


Step 4

Secure the Connecting Plate (F) to the Bottom Sidebar (D)



F		2 PCS
T1		2 PCS

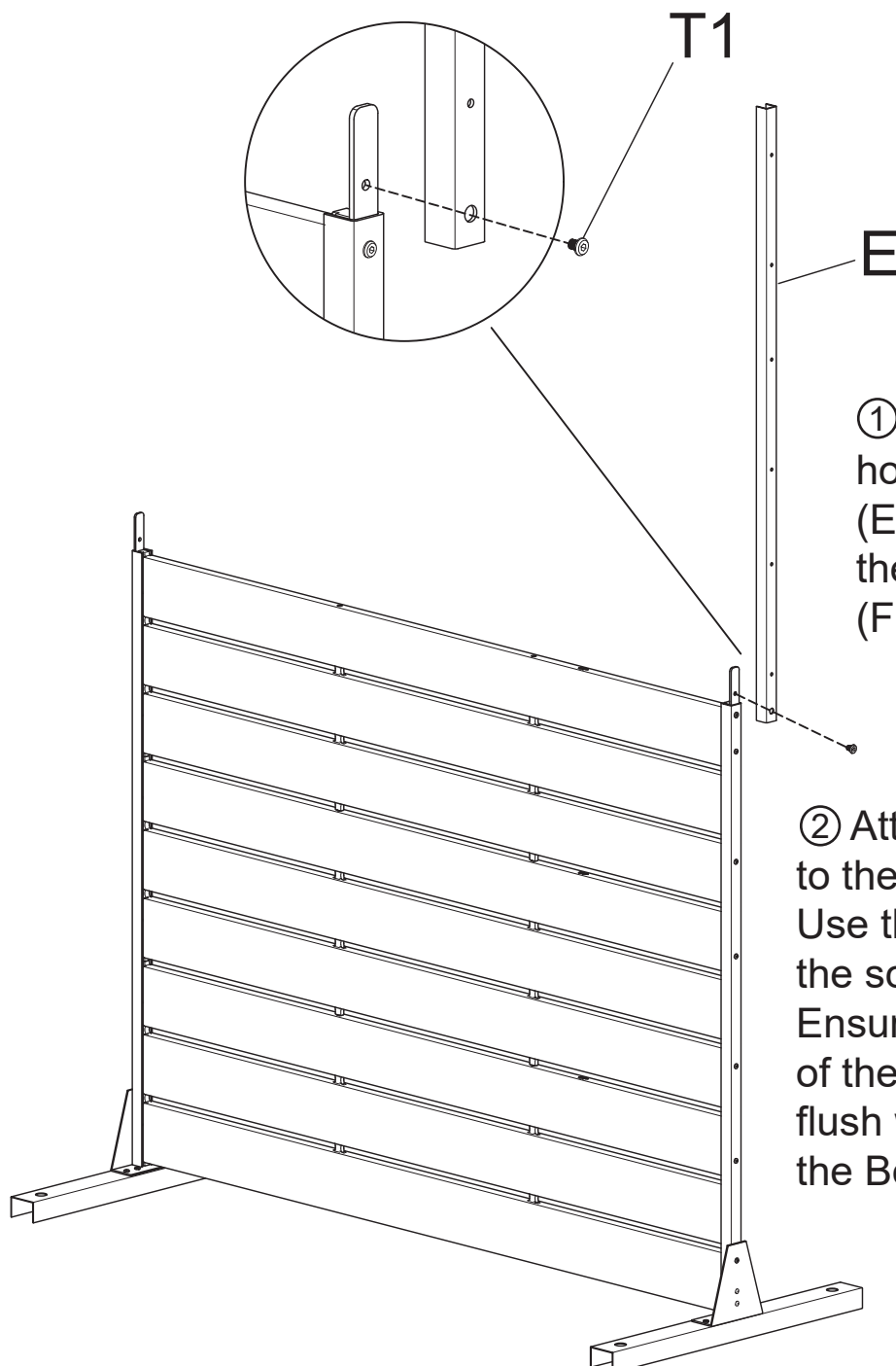
Insert the Connecting Plate (F) into the slot of the Bottom Sidebar (D), and use the hex key to tighten the screws on both sides securely.



Step 5.1

Connect the Top Sidebar (E) to the Bottom Sidebar (D)

E		2 PCS
T1		2 PCS

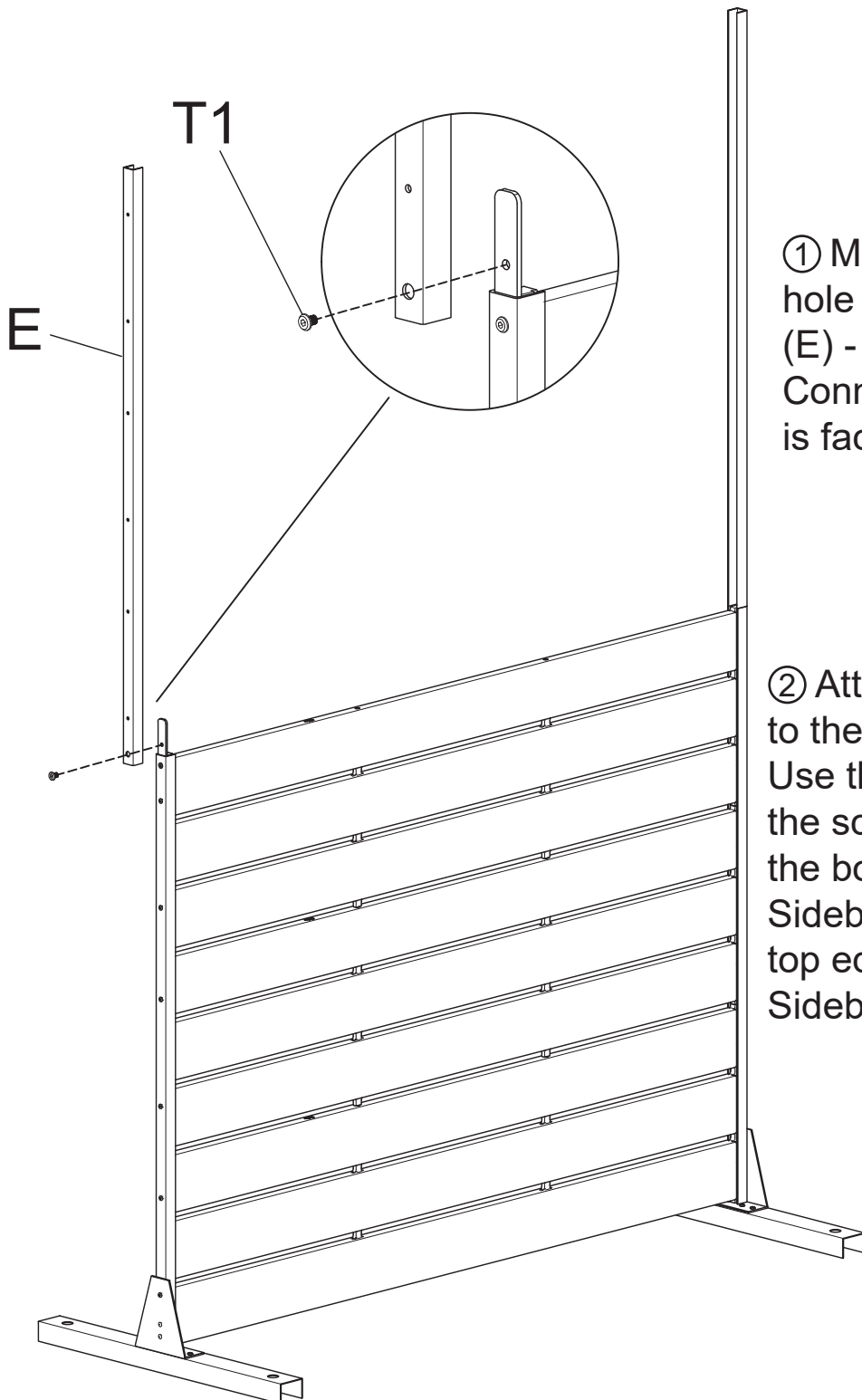


① Make sure the mounting hole on the Top Sidebar (E) - for connecting to the Connecting Plate (F), is facing downward.

② Attach the Top Sidebar (E) to the Connecting Plate (F). Use the hex key to tighten the screw securely. Ensure the bottom edge of the Top Sidebar (E) is flush with the top edge of the Bottom Sidebar (D).

Step 5.2

Connect the Top Sidebar (E) to the Bottom Sidebar (D)

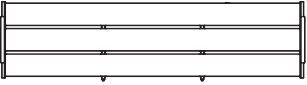



① Make sure the mounting hole on the Top Sidebar (E) - for connecting to the Connecting Plate (F), is facing downward.

② Attach the Top Sidebar (E) to the Connecting Plate (F). Use the hex key to tighten the screw securely. Ensure the bottom edge of the Top Sidebar (E) is flush with the top edge of the Bottom Sidebar (D).

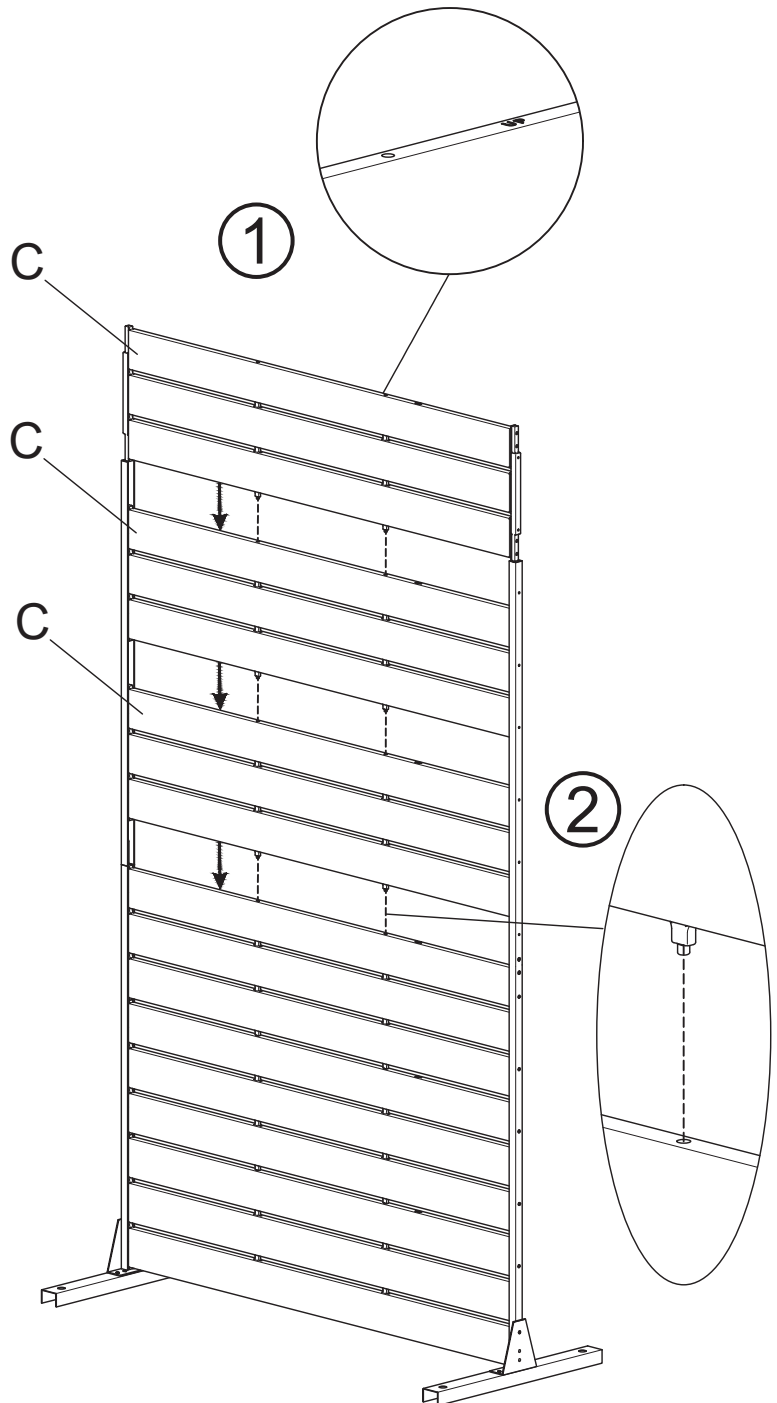
Step 6.1

Attach the 4th, 5th, and 6th Screen Panel (C)

C		3 PCS
T2		12 PCS

① Make sure the alignment notches on the Screen Panel (C) are facing upward and the alignment bosses are facing downward.

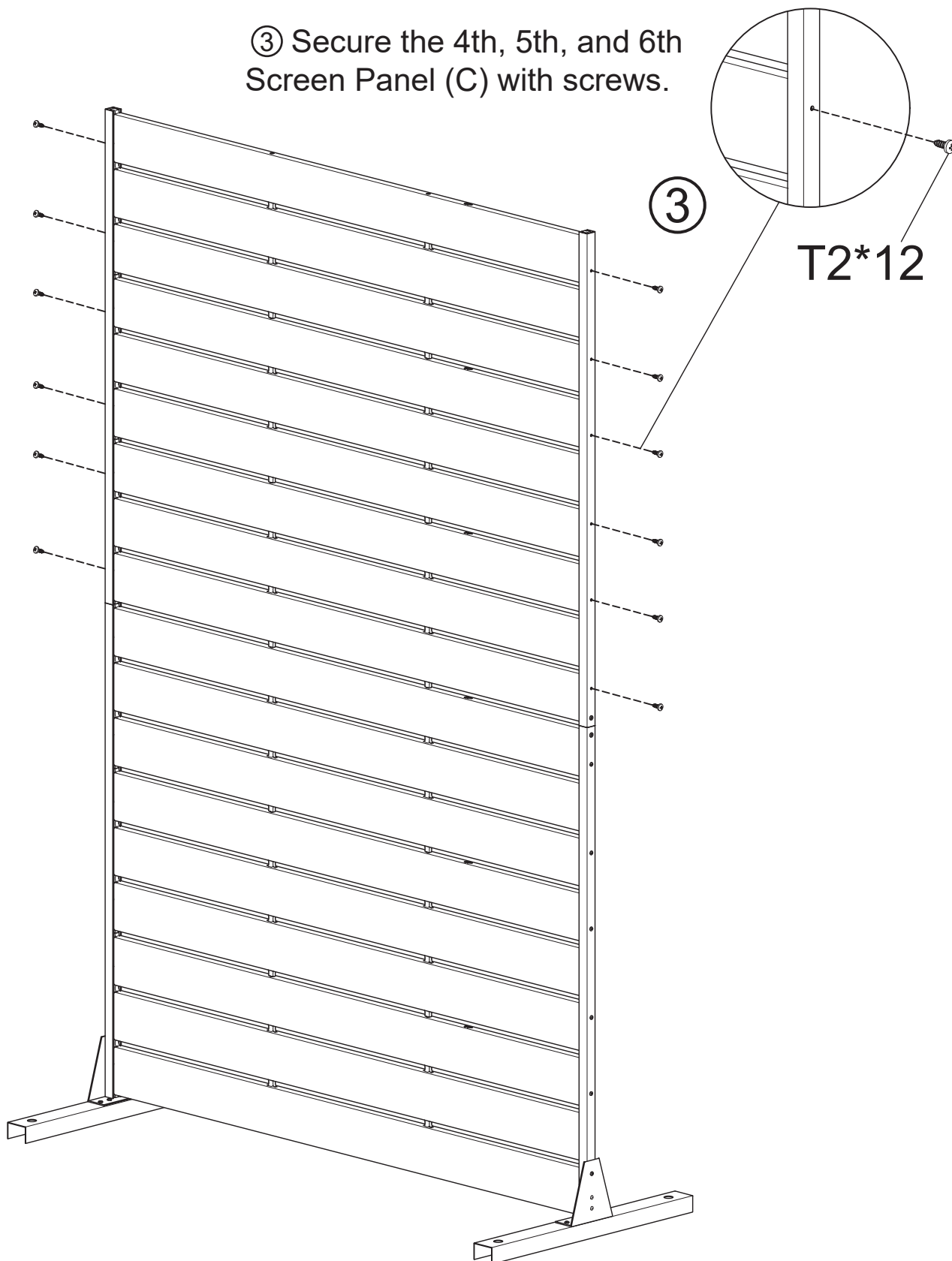
② Insert the 4th, 5th, and 6th Screen Panel (C) into the slot of the Top Sidebar (E) one by one. Note that the alignment bosses on the upper screen panel must be inserted into the alignment notches of the lower screen panel, to ensure all screen panels are perfectly flush.



Step 6.2

Attach the 4th, 5th, and 6th Screen Panel (C)

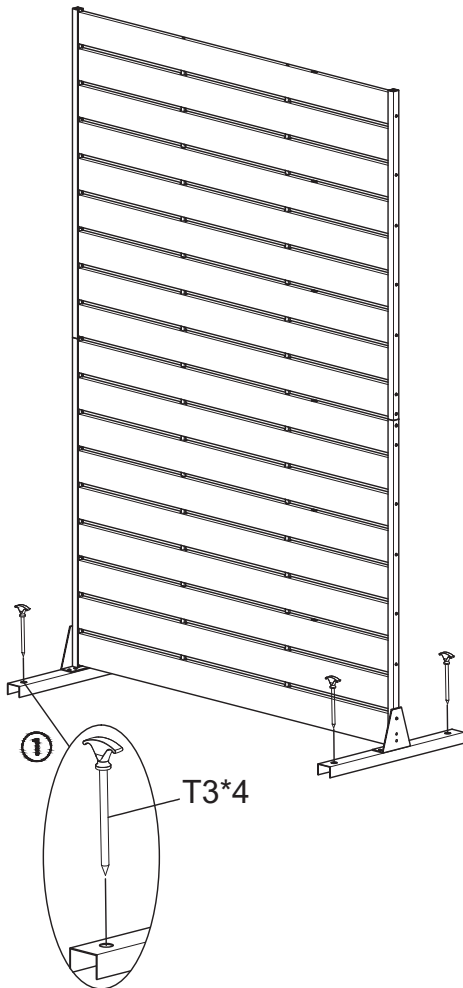
③ Secure the 4th, 5th, and 6th Screen Panel (C) with screws.



Step 7

If the privacy screen will be used in a strong wind area, we highly recommend that you use the Ground Stakes (T3) or the Hex-Head Sleeve Anchors (T4) to secure it to the ground.

① Ground Stake
(for grass or muddy ground)



② Hex-Head Sleeve Anchor
(for concrete or hard rock ground)

