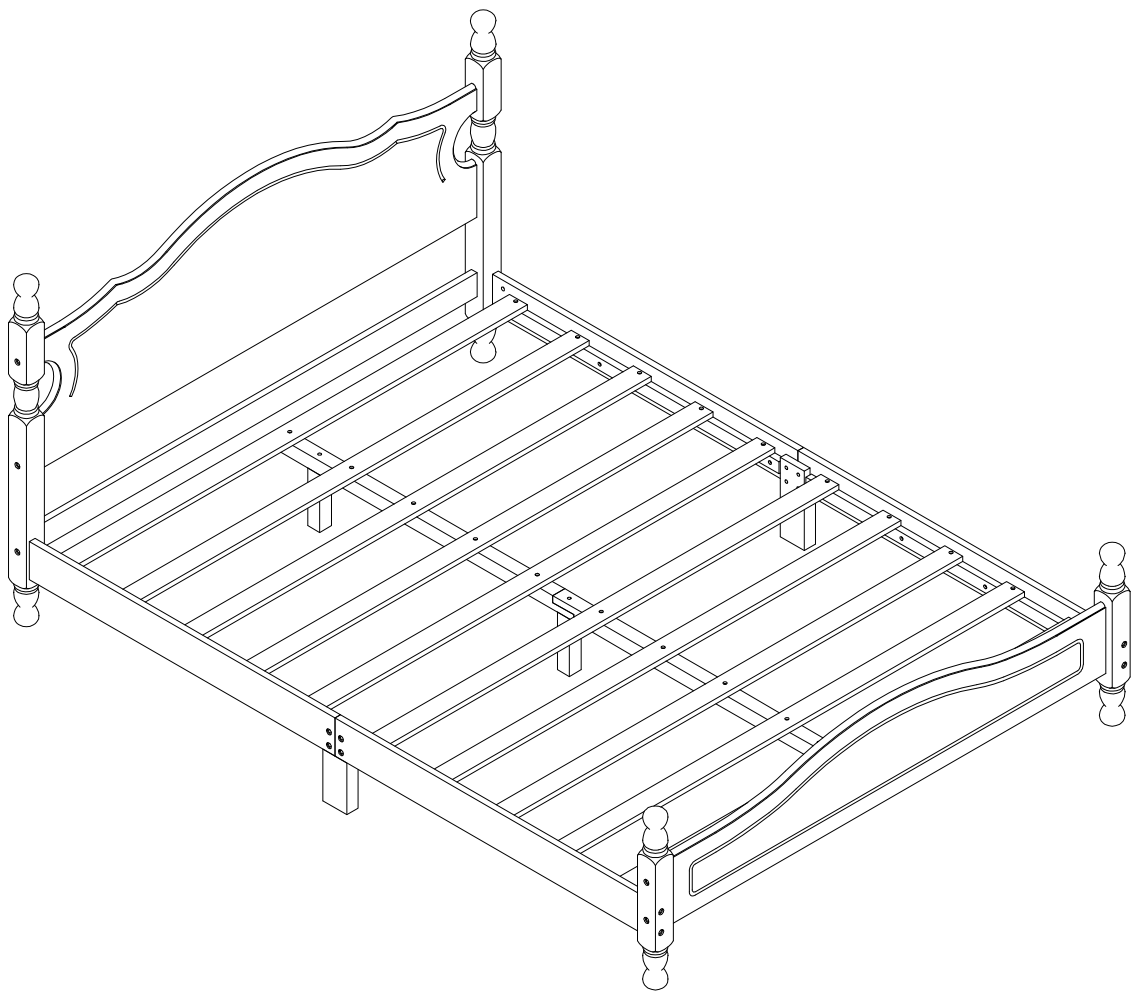
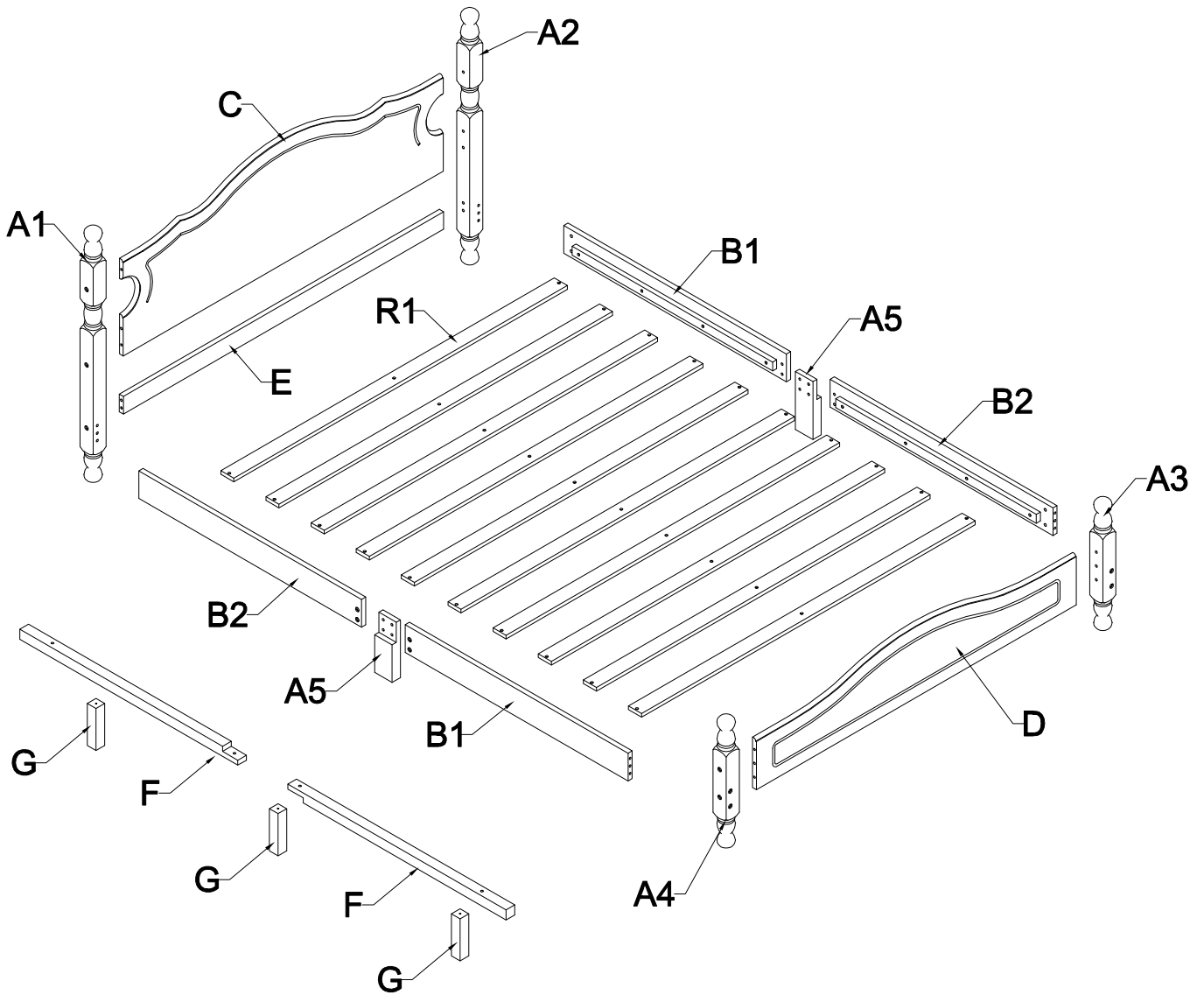


ASSEMBLY INSTRUCTIONS



DETAIL VIEW



BOX 1

A1



Front leg - left (1pc)

A2



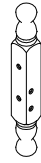
Back leg - left (1pc)

A3



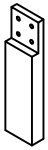
Back leg - right (1pc)

A4



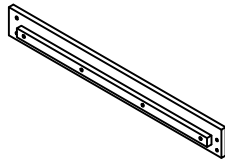
Front leg - right (1pc)

A5



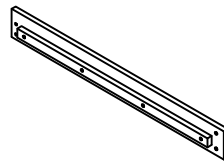
Middle leg (2pcs)

B1



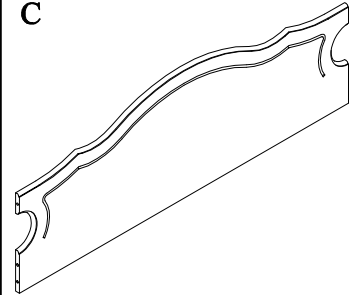
Side rail - left (2pcs)

B2



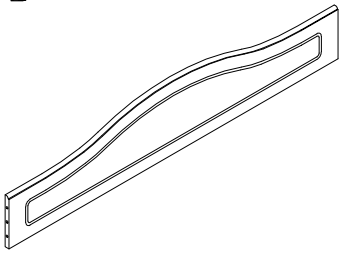
Side rail - right (2pcs)

C



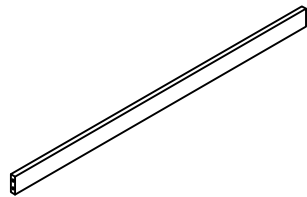
Headboard panel (1pc)

D



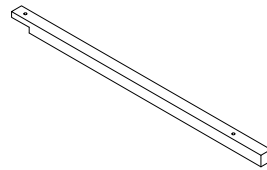
Footboard panel (1pc)

E



Horizontal rail (1pc)

F



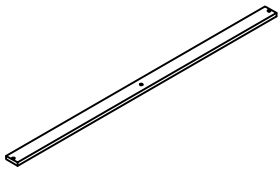
Support slats (2pcs)

G



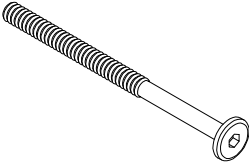

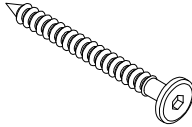
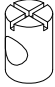

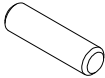
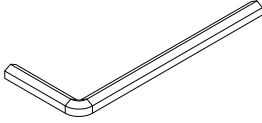
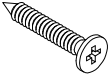
Extra leg (3pcs)

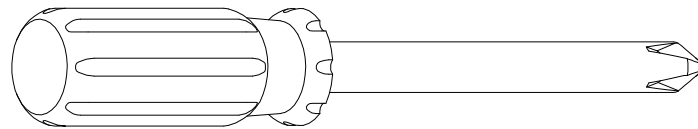
R1



Slats (10pcs)



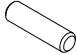
HARDWARE LIST

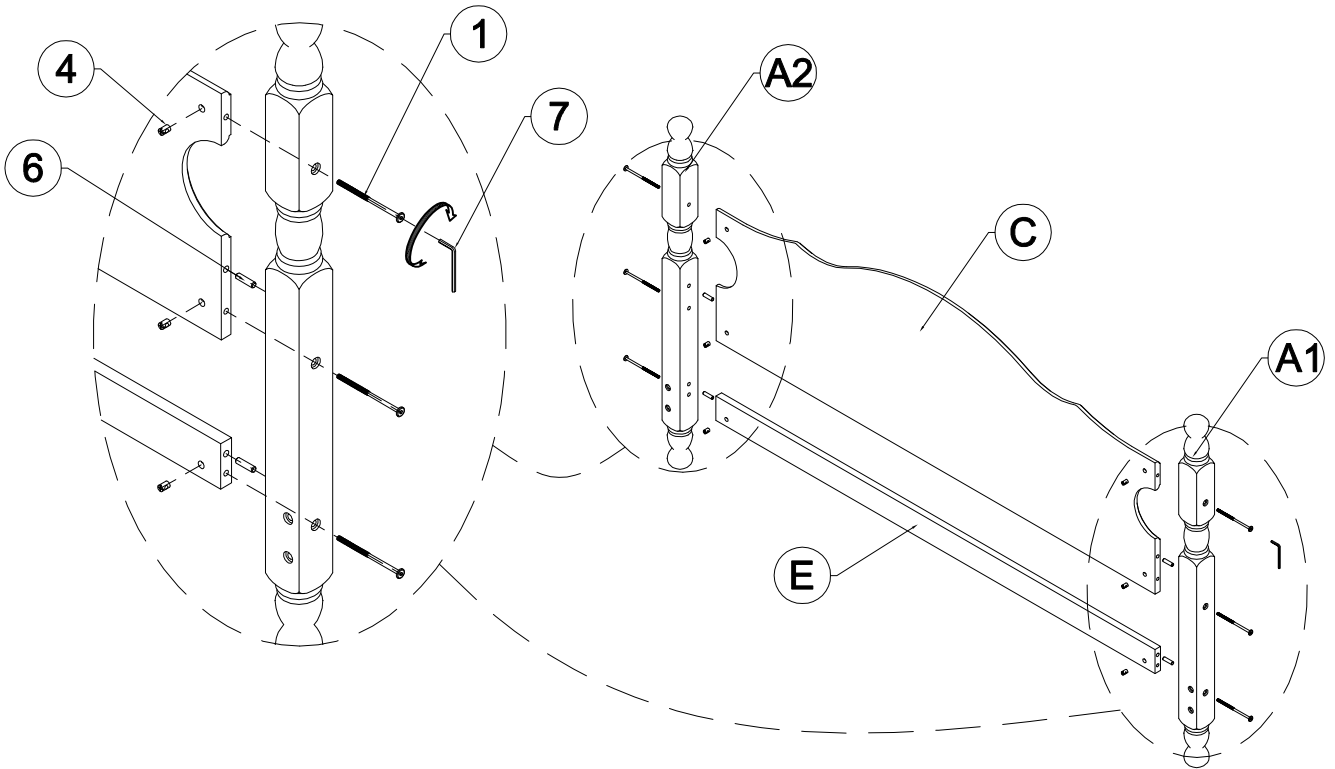
<p>1</p>  <p>Hex - Head bolts Ø1/4" * 110- 18pcs</p>	<p>2</p>  <p>Hex - Head bolts Ø1/4" * 30- 8pcs</p>	<p>3</p>  <p>Hexagonal bolts catch wood Ø6 * 70 - 3pcs</p>	<p>4</p>  <p>Horizontal - Hold bolts Ø1/4" - 18pcs</p>
<p>5</p>  <p>Canopy head though Ø1/4" - 8pcs</p>	<p>6</p>  <p>Wood dowel Ø8 * 30 - 10pcs</p>	<p>7</p>  <p>Allen key K4 - 2pcs</p>	<p>8</p>  <p>Wood crews M4 * 30 - 30pcs</p>






Assembly Tools Required (Not Included)

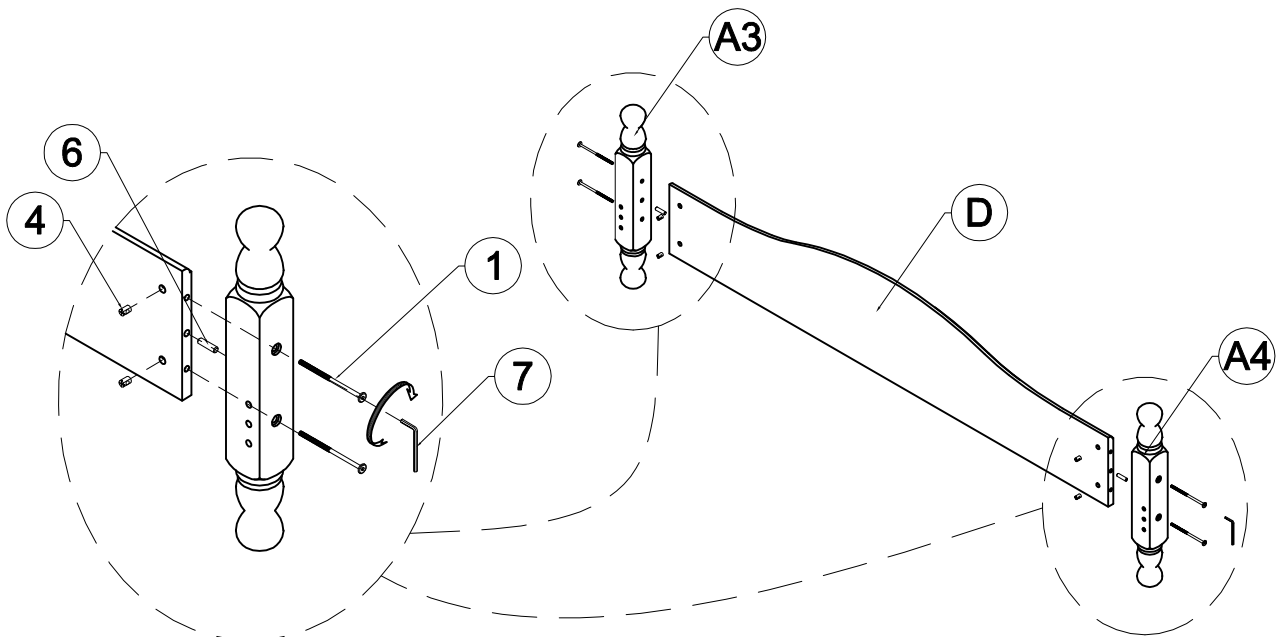
STEP 1

<p>1</p>  <p>Hex - Head bolts Ø1/4" * 110- 6pcs</p>	<p>4</p>  <p>Horizontal - Hold bolts Ø1/4" - 6pcs</p>	<p>6</p>  <p>Wood dowel Ø8 * 30 - 4pcs</p>
--	--	---

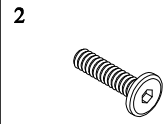


STEP 2

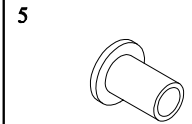
<p>1</p>  <p>Hex - Head bolts Ø1/4" * 110- 4pcs</p>	<p>4</p>  <p>Horizontal - Hold bolts Ø1/4" - 4pcs</p>	<p>6</p>  <p>Wood dowel Ø8 * 30 - 2pcs</p>
--	--	---



STEP 3

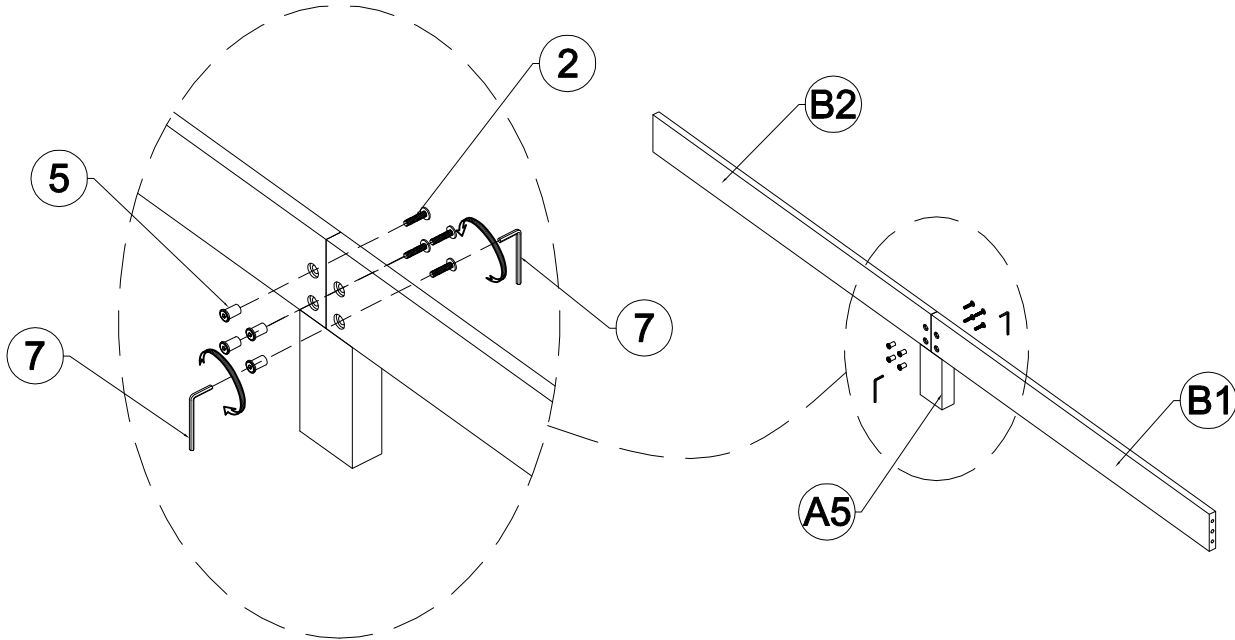


Hex - Head bolts
Ø1/4" * 30- 8pcs

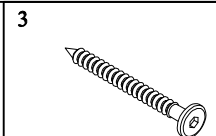


Canopy head though
Ø1/4" - 8pcs

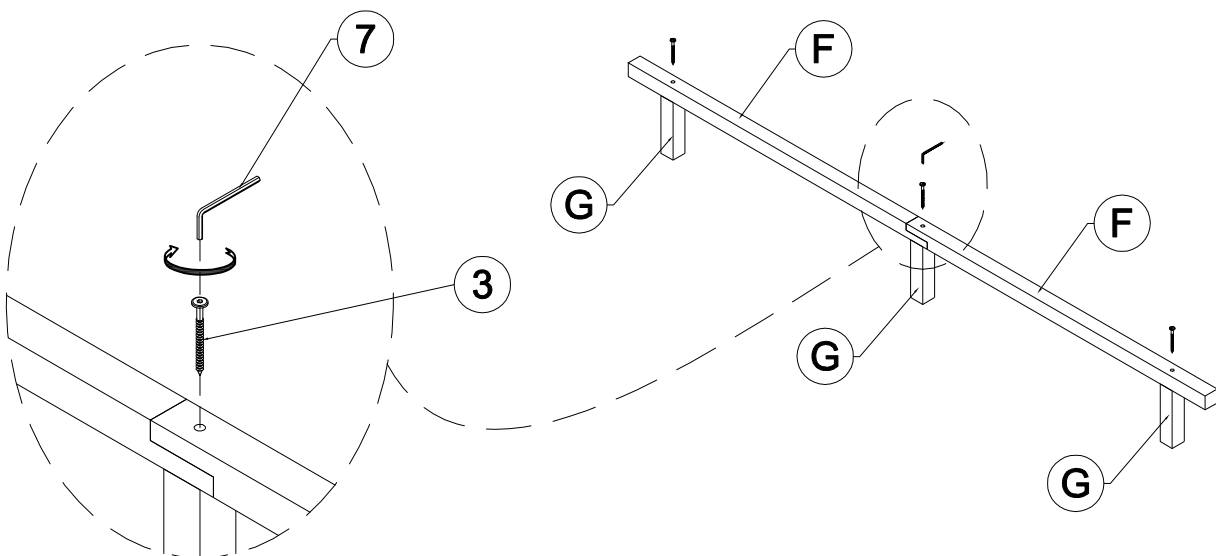
X 2





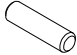
STEP 4

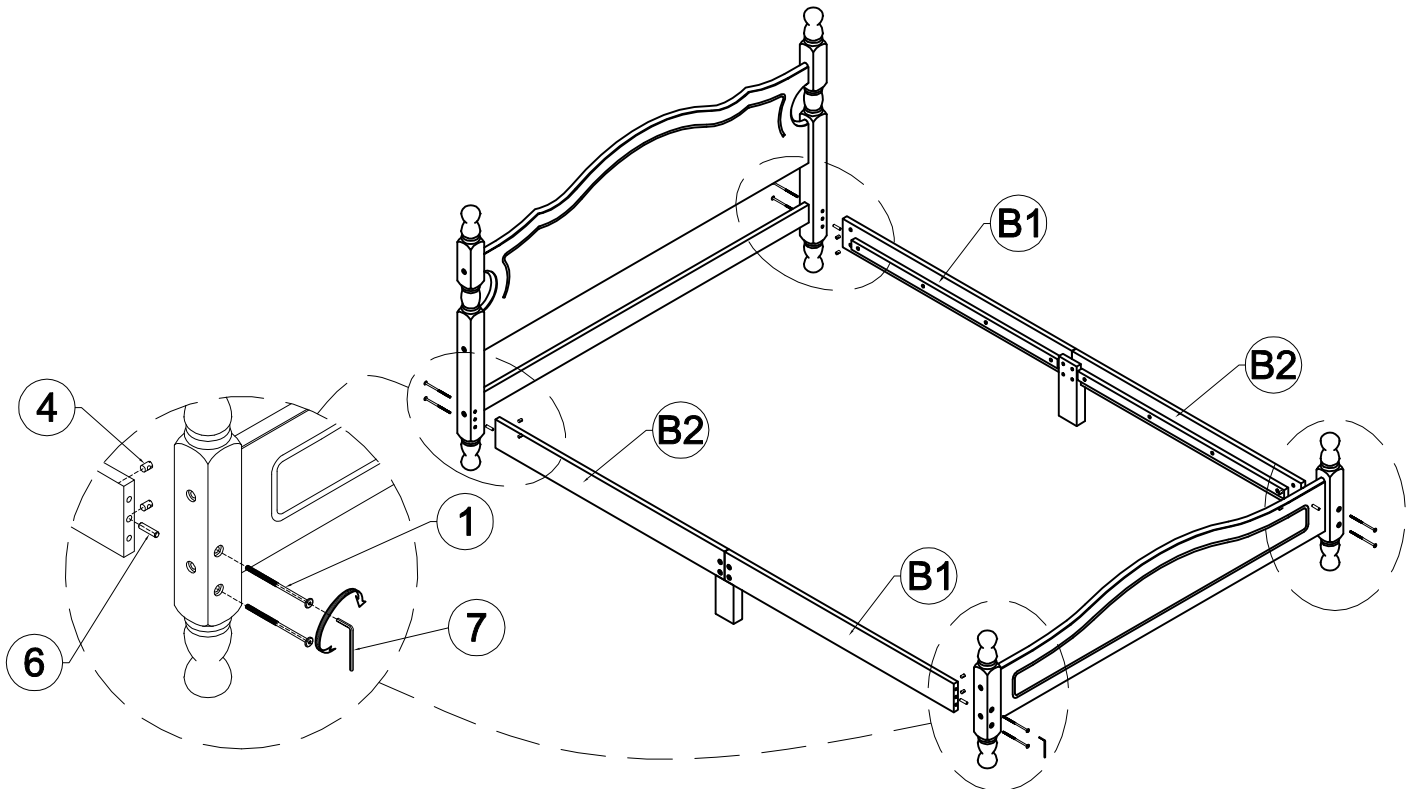


Hexagonal bolts catch wood
Ø6 * 70 - 3pcs



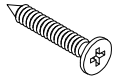
STEP 5

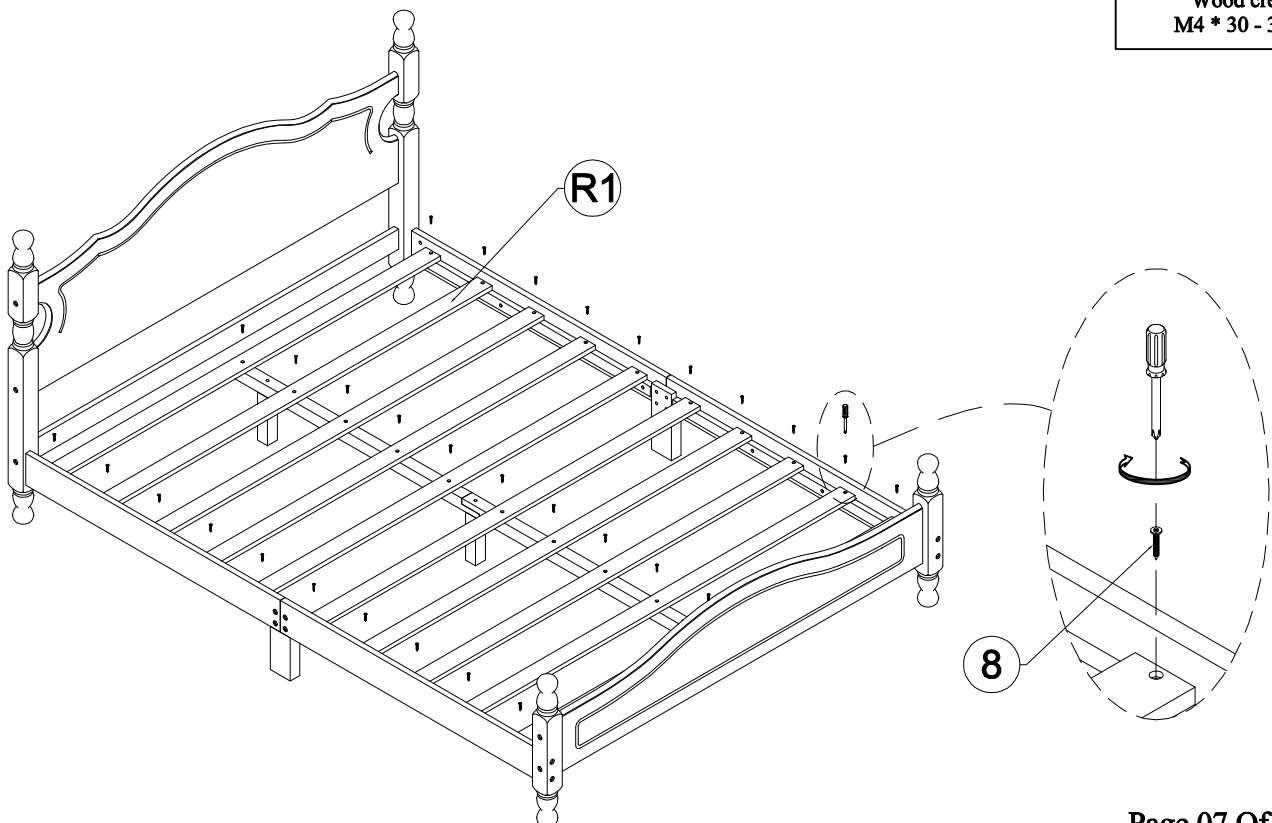
<p>1</p>  <p>Hex - Head bolts Ø1/4" * 110 - 8pcs</p>	<p>4</p>  <p>Horizontal - Hold bolts Ø1/4" - 8pcs</p>	<p>6</p>  <p>Wood dowel Ø8 * 30 - 4pcs</p>
---	--	---



STEP 6

The distance between the slats is 5-1/4 inch

<p>8</p>  <p>Wood crews M4 * 30 - 30pcs</p>
--



COMPLETED

