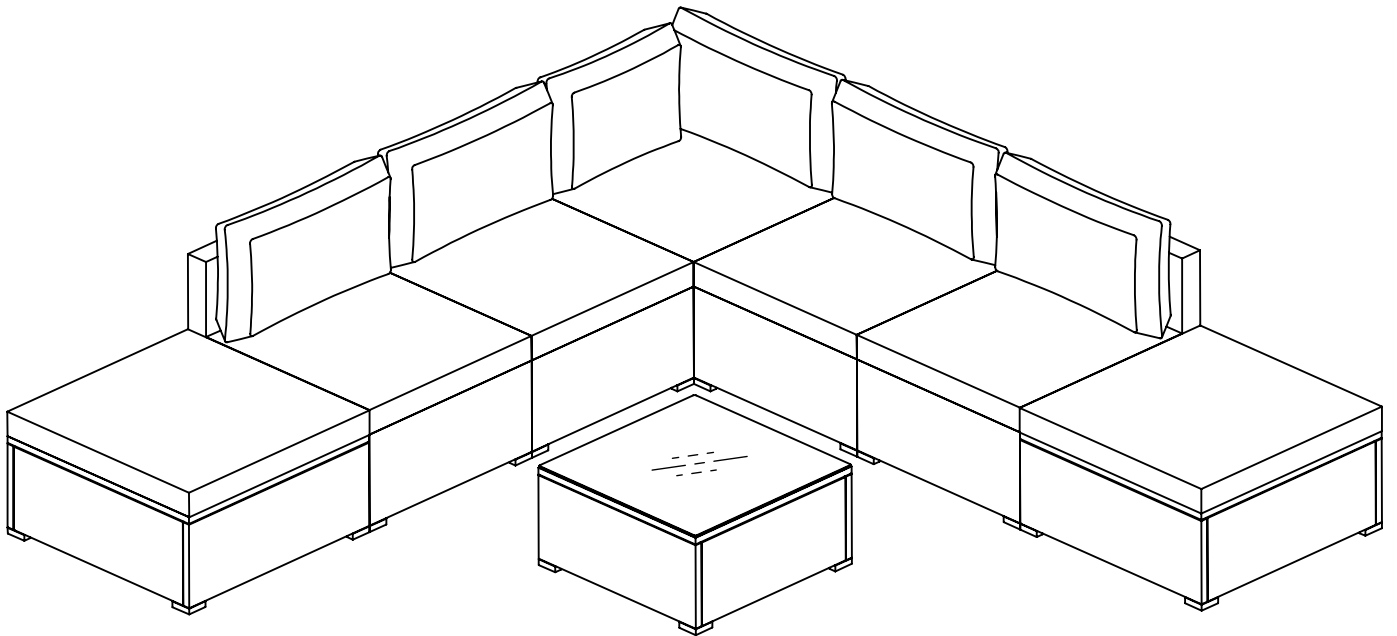
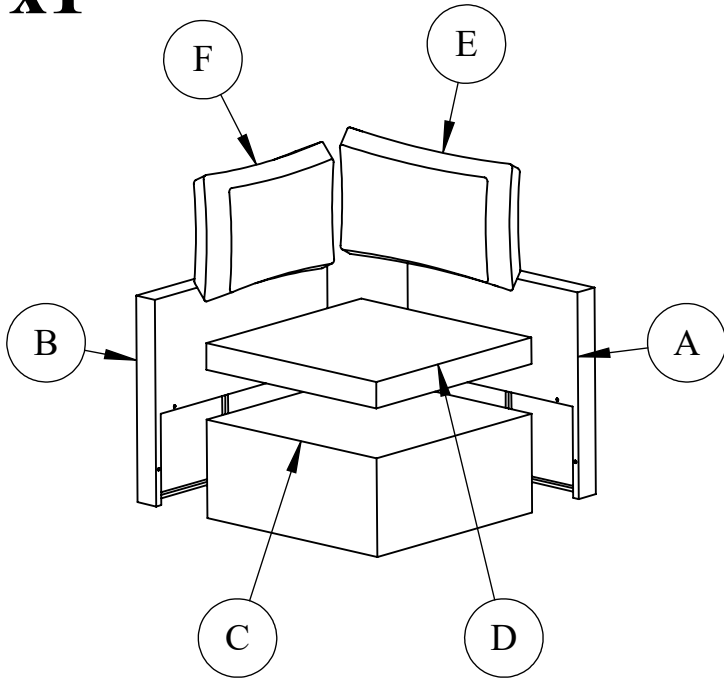
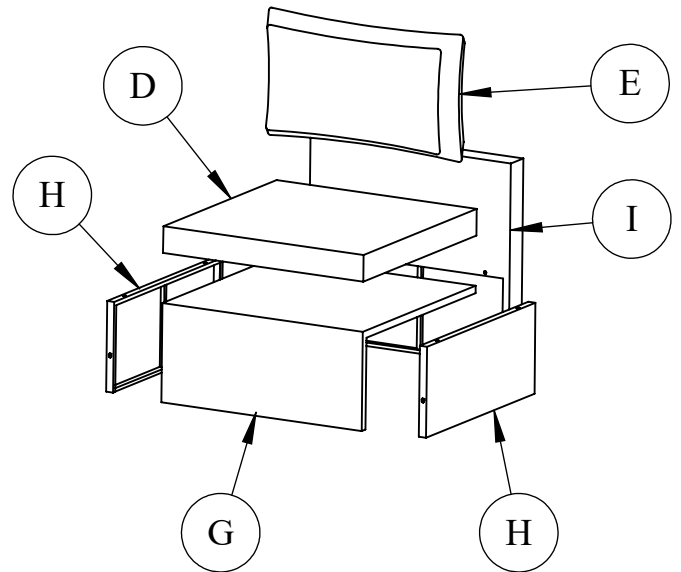
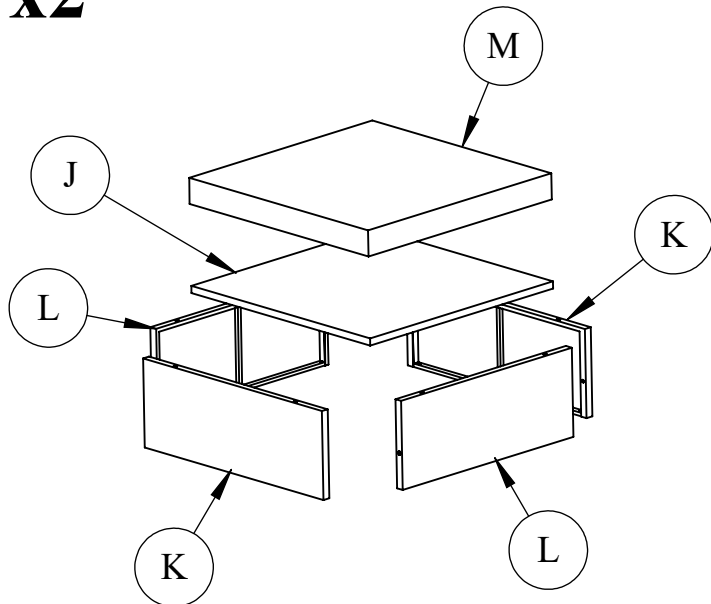
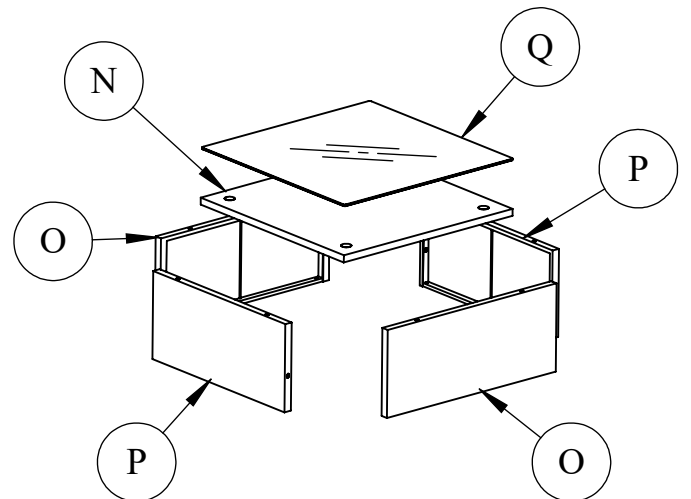


ASSEMBLY INSTRUCTIONS

CORNER SOFA SET



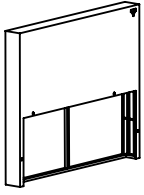
**WF288771, WF288772, WF288773, WF288774
WF288775, WF288776, WF288777, WF288778**

x1**x4****x2****x1****Note:**

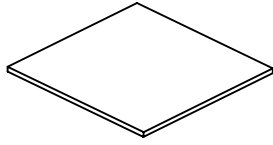
1. 50% Tighten before fixing all screws, Allen wrench is recommended instead of an electric drill.
2. Place the item on a flat ground to adjust and make sure it remains stable.
3. Tighten up all screw with tools gradually.
4. If screw are not aligned with holes during assembly, please loosen all the other screws to 50% and continue the assembly process.
5. If the item is not stable, please loosen all screws, adjust it on a flat ground and tighten up all screws again.
6. Note: If one or some screws are fully tighten during assembly, chances are the others will not be aligned with holes. In addition, all the holes are designed to be relatively larger to provide more space for the adjustment of the screws.

CARTON CONTENT:

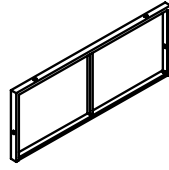
WF288771, WF288775



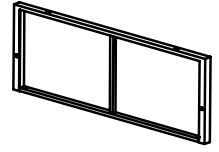
ⓑ x 1



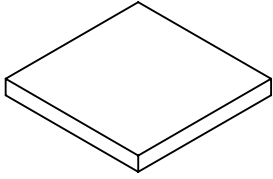
ⓐ x 2



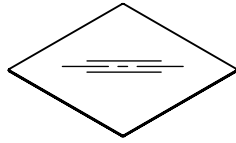
Ⓛ x 4



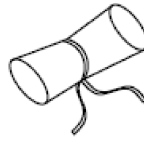
Ⓚ x 4



Ⓜ x 2

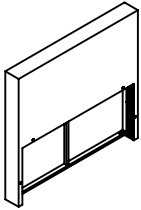


Ⓚ x 1

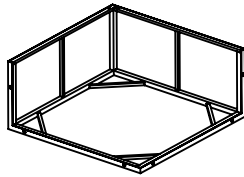


HARDWARE

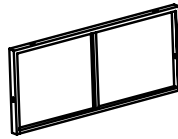
WF288772, WF288776



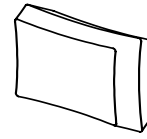
Ⓢ x 4



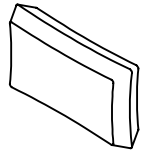
ⓒ x 1



Ⓜ x 8

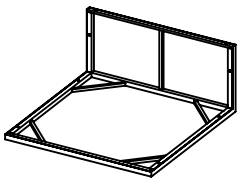


ⓕ x 1

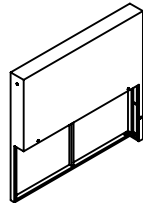


ⓔ x 1

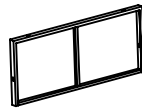
WF288773, WF288777



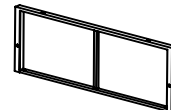
ⓖ x 2



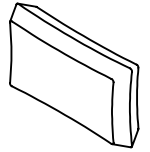
Ⓐ x 1



ⓐ x 2

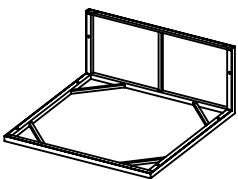


Ⓟ x 2

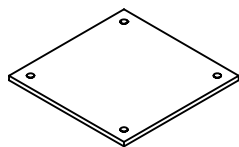


ⓔ x 4

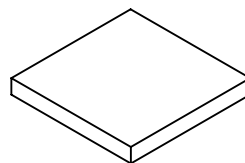
WF288774, WF288778



ⓖ x 2

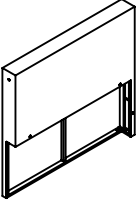
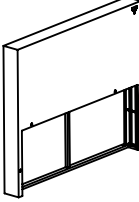
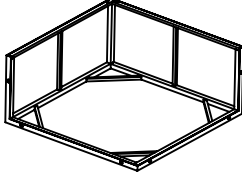
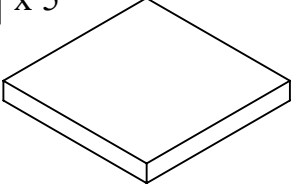
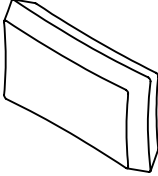
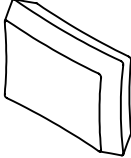
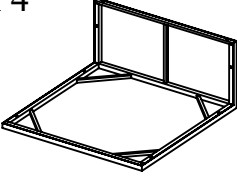
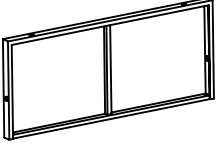
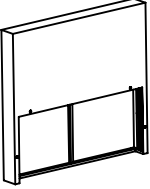
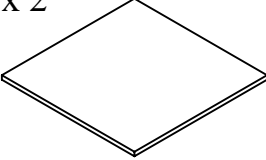
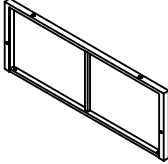
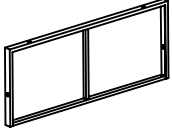
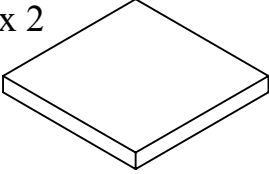
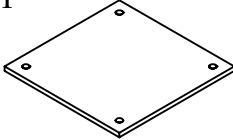
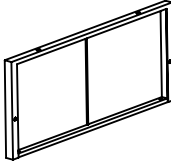
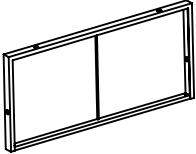
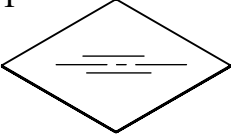


Ⓝ x 1




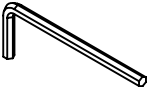
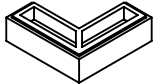
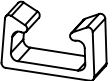


Ⓓ x 5

Part List:

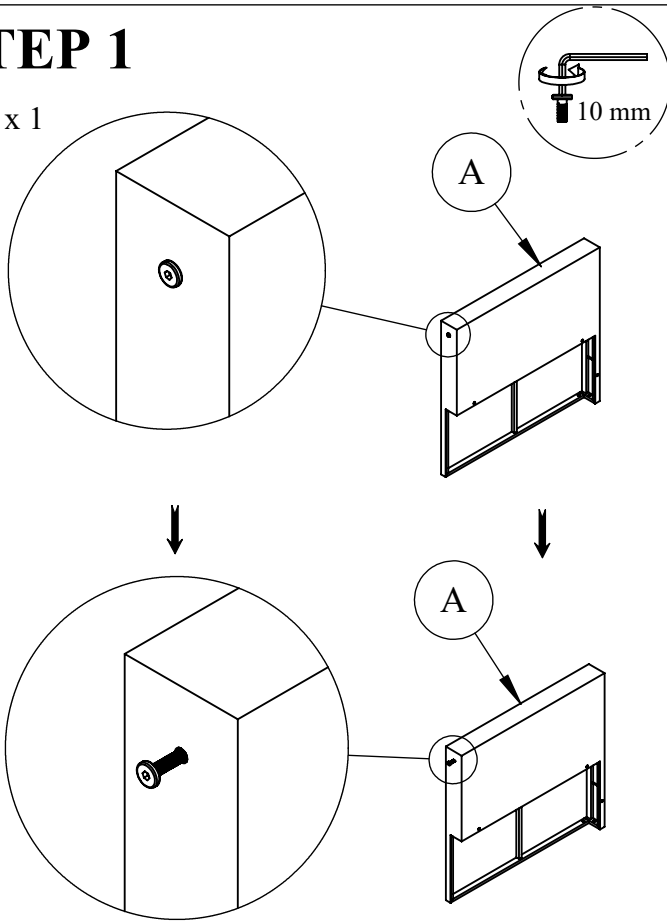
<p>A x 1</p>  <p>BACK CORNER FRAME</p>	<p>B x 1</p>  <p>RIGHT CORNER FRAME</p>	<p>C x 1</p>  <p>SEAT CORNER FRAME</p>	<p>D x 5</p>  <p>SEAT CUSHION</p>
<p>E x 5</p>  <p>PILLOW BIG CUSHION</p>	<p>F x 1</p>  <p>PILLOW SMALL CUSHION</p>	<p>G x 4</p>  <p>SEAT MIDDLE FRAME</p>	<p>H x 8</p>  <p>SIDE MIDDLE FRAME</p>
<p>I x 4</p>  <p>BACK MIDDLE FRAME</p>	<p>J x 2</p>  <p>SEAT STOOL FRAME</p>	<p>K x 4</p>  <p>FRONT STOOL FRAME</p>	<p>L x 4</p>  <p>SIDE STOOL FRAME</p>
<p>M x 2</p>  <p>STOOL CUSHION</p>	<p>N x 1</p>  <p>TABLE TOP</p>	<p>O x 2</p>  <p>FRONT TABLE FRAME</p>	<p>P x 2</p>  <p>SIDE TABLE FRAME</p>
<p>Q x 1</p>  <p>GLASS</p>			

Hardware:

<p>① x 133 pcs Extra 5 pcs</p>  <p>BOLT M6x25MM</p>	<p>② x 14 pcs Extra 2 pcs</p>  <p>BOLT M6x40MM</p>	<p>③ x 83 pcs Extra 5 pcs</p>  <p>WASHER M6</p>	<p>④ x 3 pcs</p>  <p>ALLEN KEY</p>	<p>⑤ x 32 pcs</p>  <p>LEG</p>	<p>⑥ x 12 pcs</p>  <p>CONNECTOR</p>
--	---	--	---	--	--

STEP 1

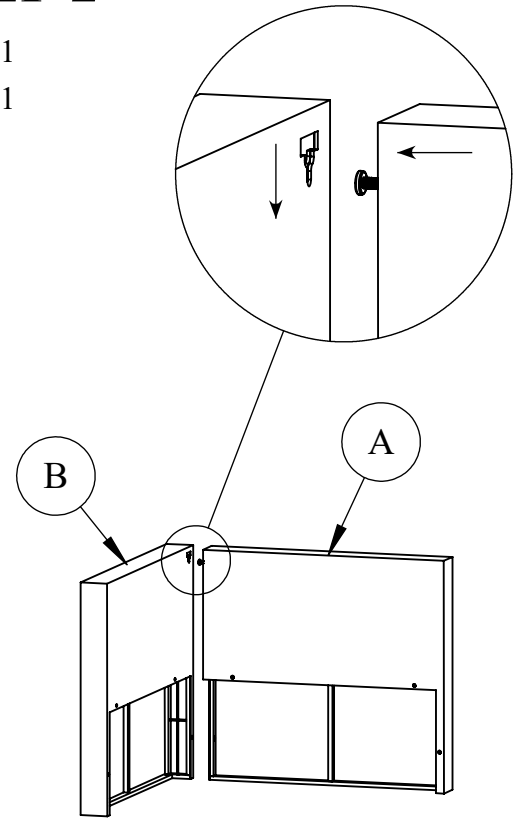
(A) x 1



STEP 2

(A) x 1

(B) x 1



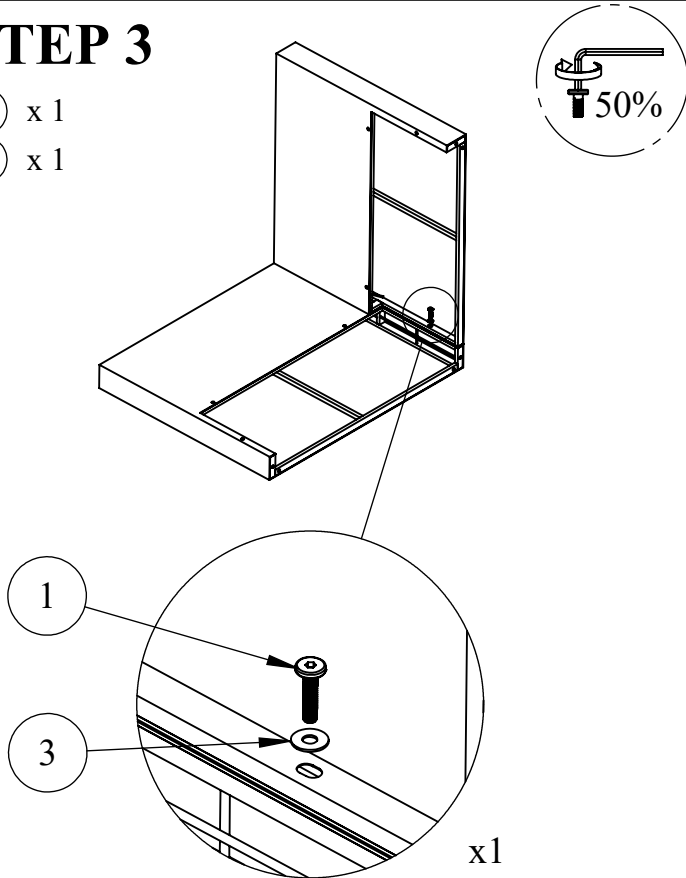
Use Allen key to loosen Bolt on the side of Back Corner Frame (B) about 10 mm.

Connect part from STEP 1 & Right Frame (B).

STEP 3

(1) x 1

(3) x 1

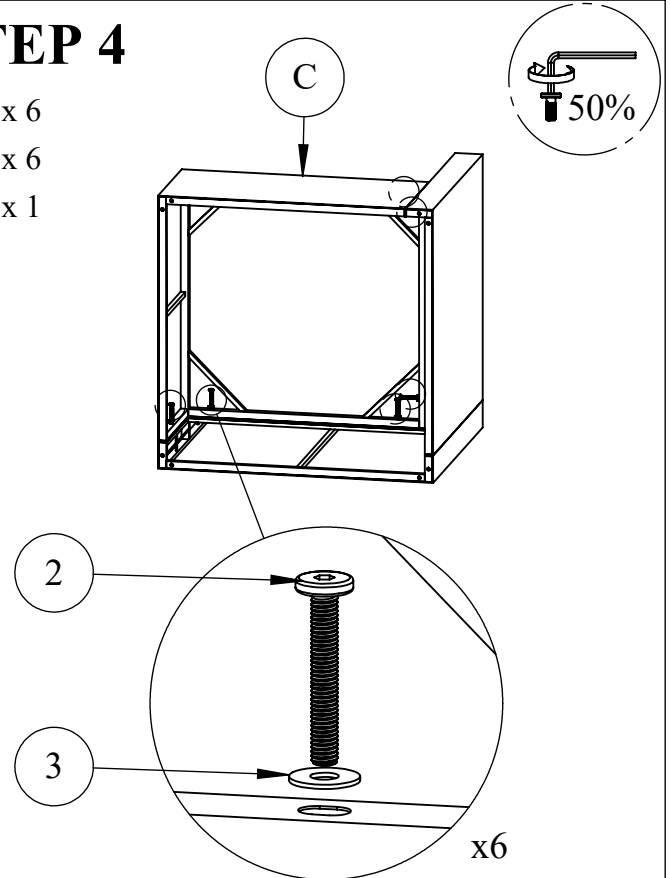


STEP 4

(2) x 6

(3) x 6

(C) x 1



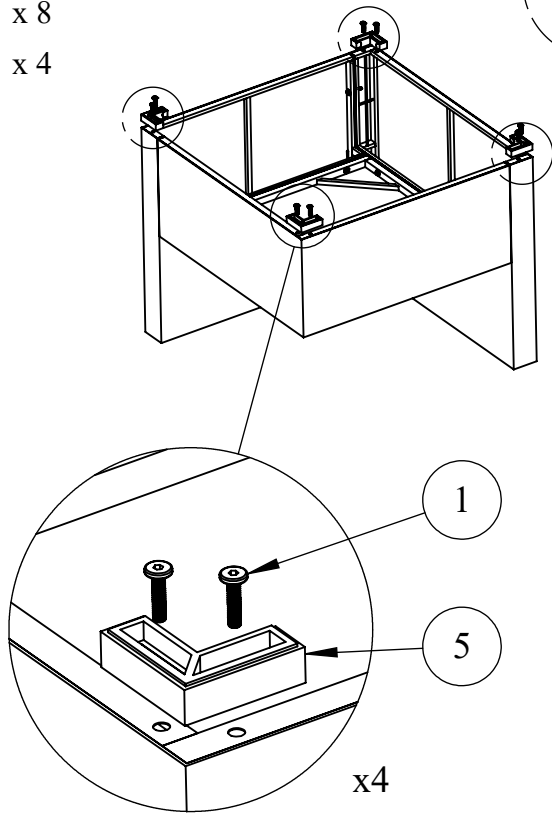
Connect part (A) & (B) with Bolt (1) & Washer (3).

Connect part from STEP 3 & Seat Corner (C) with Bolt (2) & Washer (3).

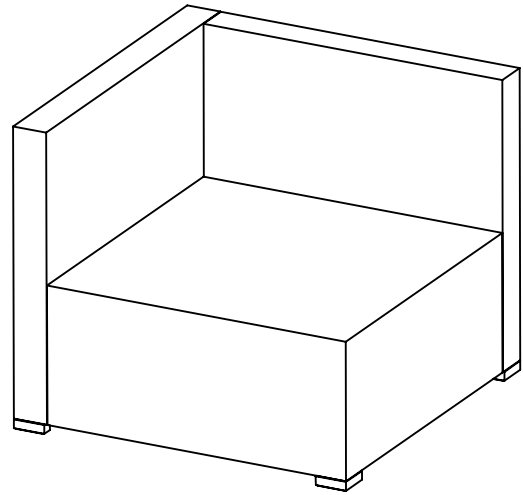
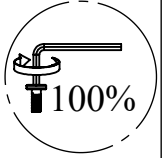
STEP 5

① x 8

⑤ x 4



STEP 6



Connect part from STEP 4 & Leg (5) with Bolt (1).

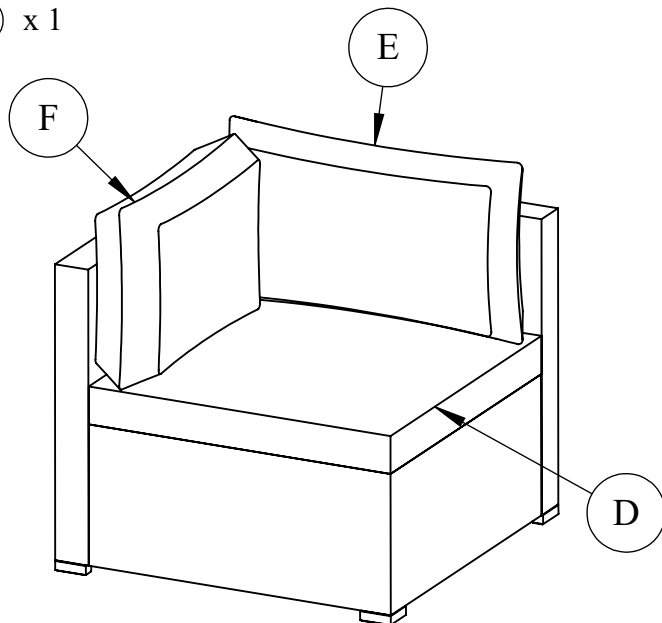
100% Tighten.

STEP 7

Ⓓ x 1

Ⓔ x 1

Ⓕ x 1



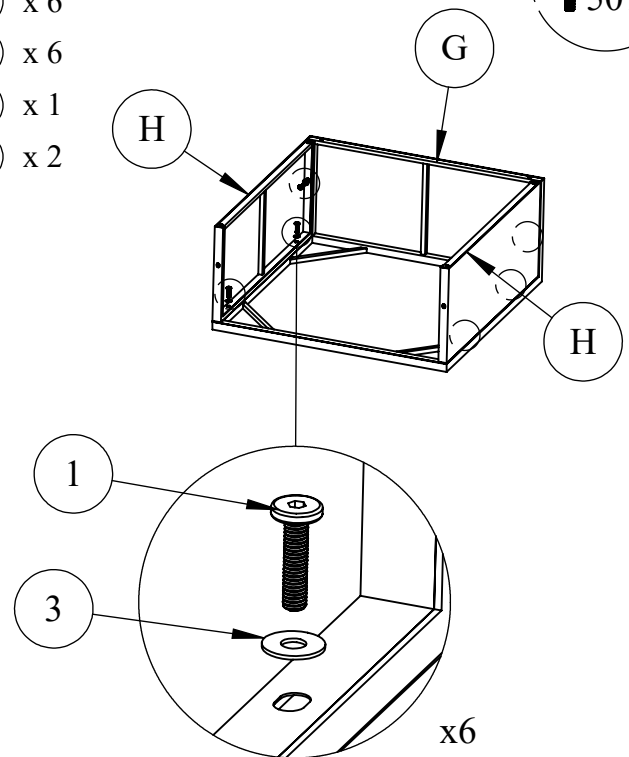
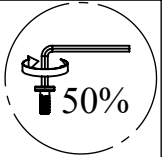
STEP 8

① x 6

③ x 6

Ⓖ x 1

Ⓗ x 2

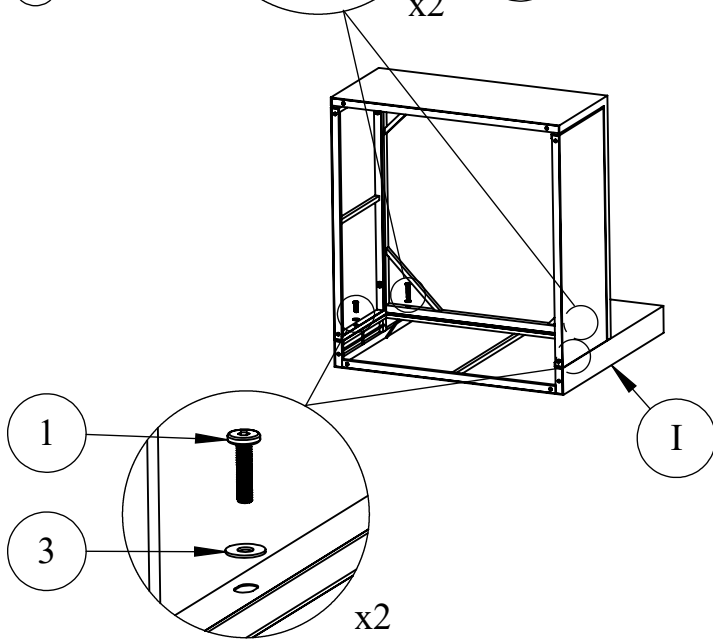


Put the Seat cushion (D) & Pillows (E) (F) on to complete the Right Corner.

Connect Seat Middle (G) & Side Middle (H) with Bolt (1) & Washer (3).

STEP 9

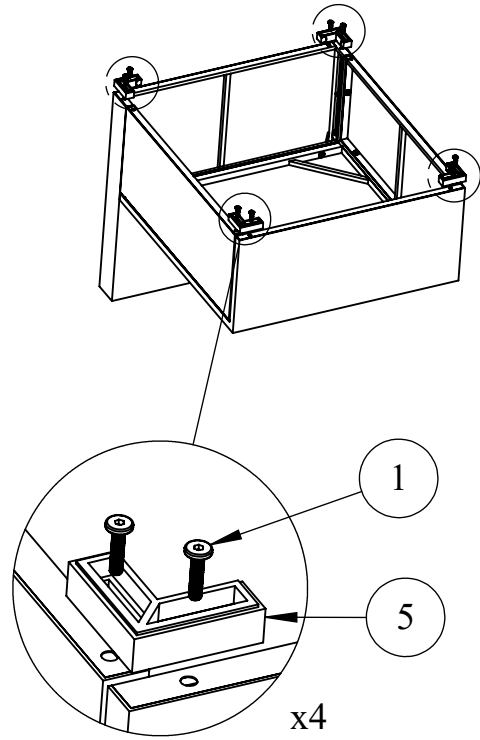
- ① x 2
- ② x 2
- ③ x 4
- ① x 1



Connect part from STEP 8 & Back Middle (I) with Bolt (1) & Washer (3).

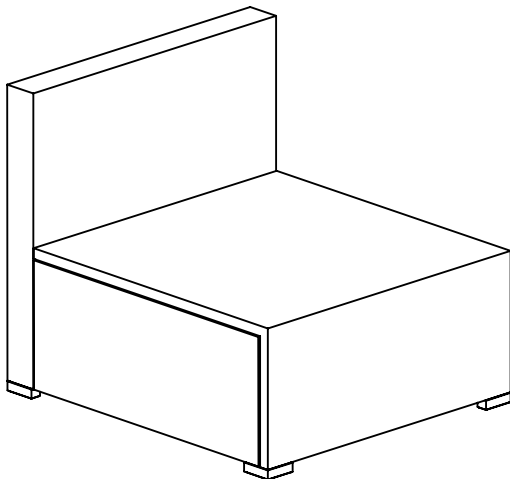
STEP 10

- ① x 8
- ⑤ x 4



Connect part from STEP 9 & Leg (5) with Bolt (1).

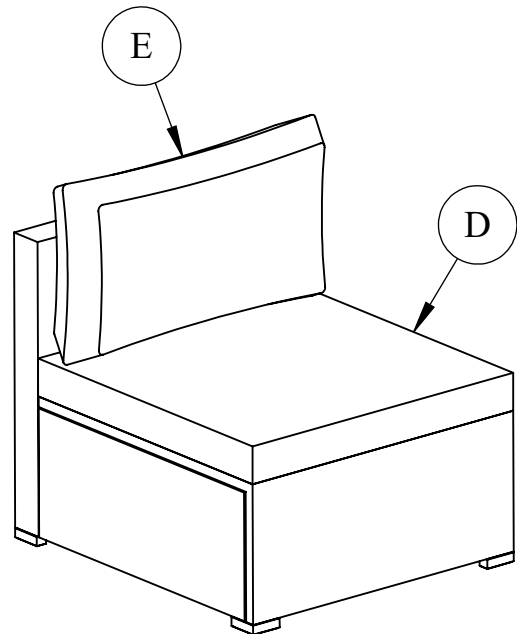
STEP 11



100% Tighten.

STEP 12

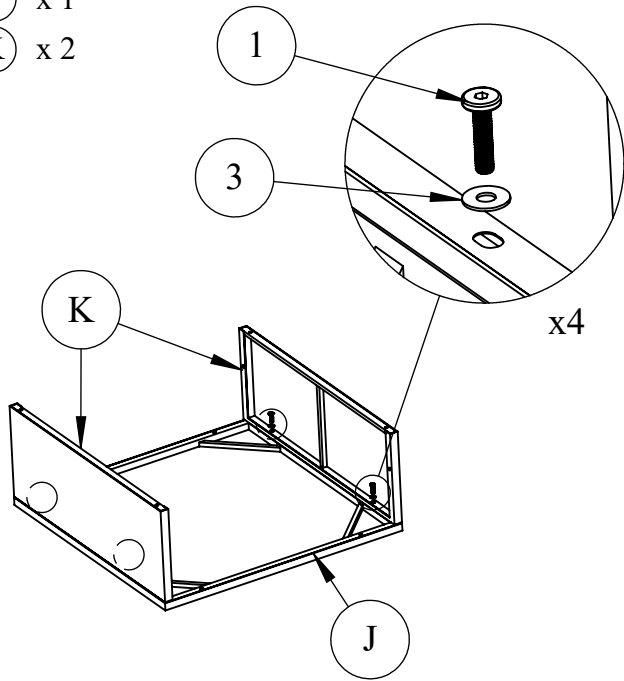
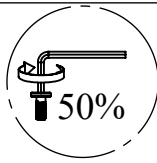
- ④ x 1
- ④ x 1



Put the Seat Cushion (D) & Pillow (E) on to complete the Middle.

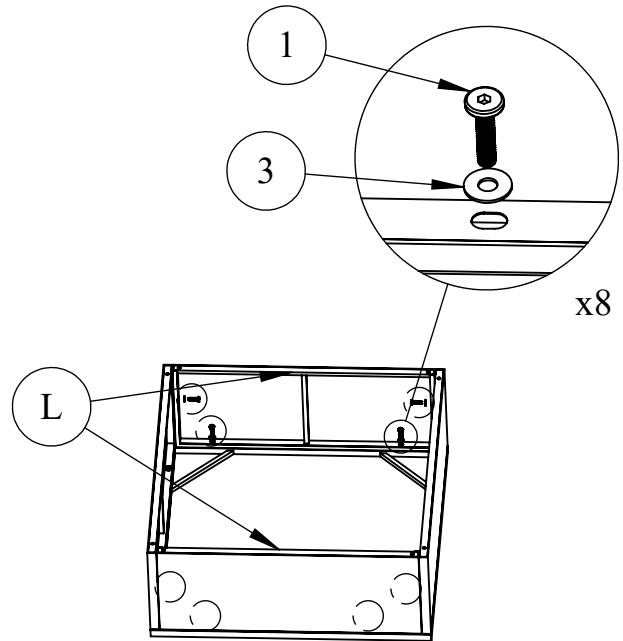
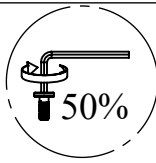
STEP 13

- ① x 4
- ③ x 4
- ④ J x 1
- ④ K x 2



STEP 14

- ① x 8
- ③ x 8
- ④ L x 2

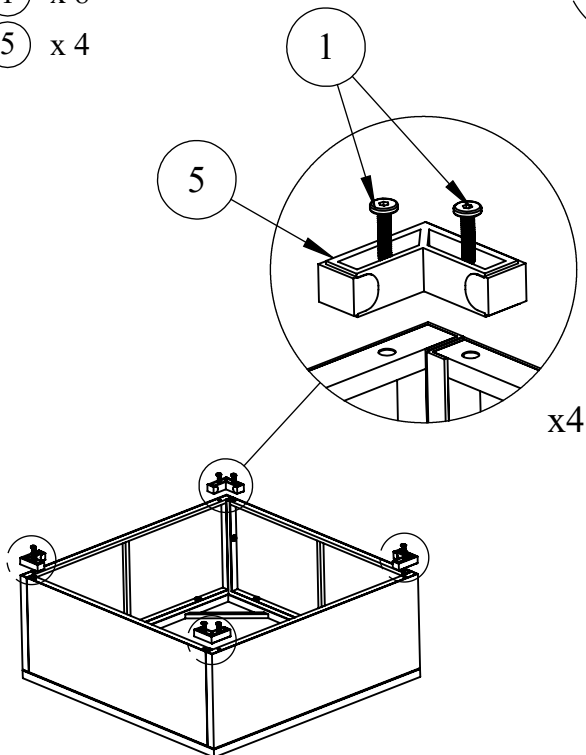
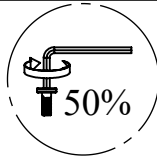


Connect Seat Stool (J) & Front Stool (K) with Bolt (1) & Washer (3).

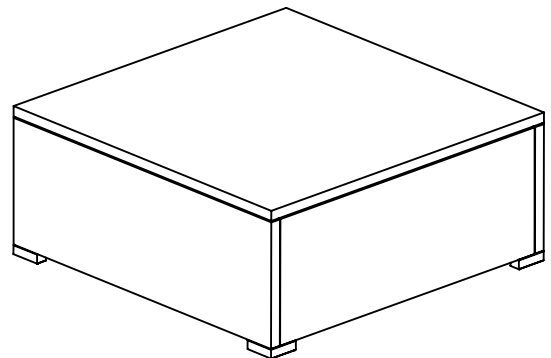
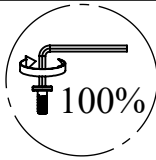
Connect part from STEP 13 & Side Stool (L) with Bolt (1) & Washer (3).

STEP 15

- ① x 8
- ⑤ x 4



STEP 16

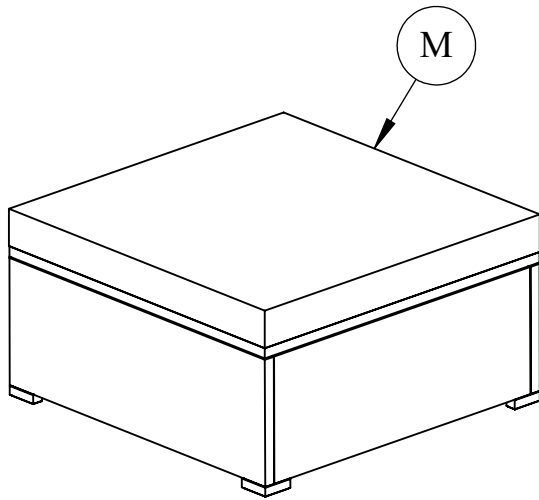


Connect part from STEP 14 & Leg (5) with Bolt (1).

100% Tighten.

STEP 17

(M) x 1



Put the Stool Cushion (M) on to complete the Stool.

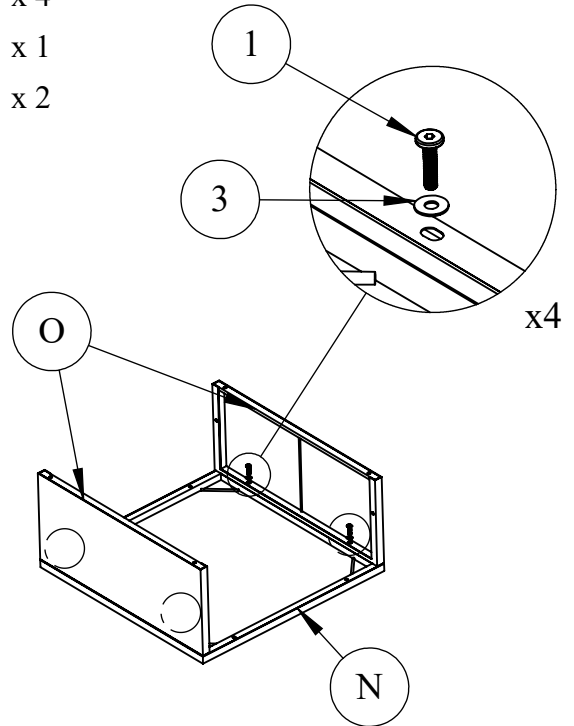
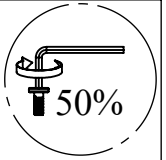
STEP 18

(1) x 4

(3) x 4

(N) x 1

(O) x 2



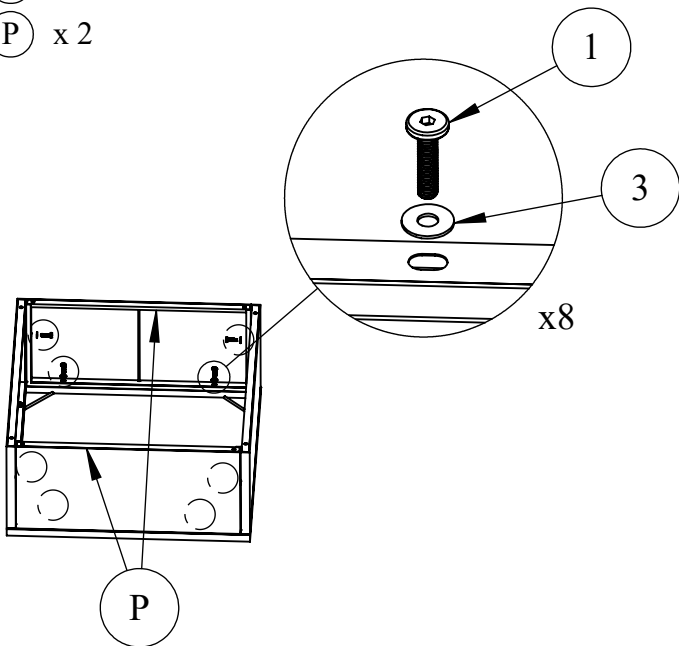
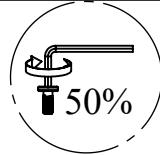
Connect Table Top (N) & Front Table (O) with Bolt (1) & Washer (3).

STEP 19

(1) x 8

(3) x 8

(P) x 2

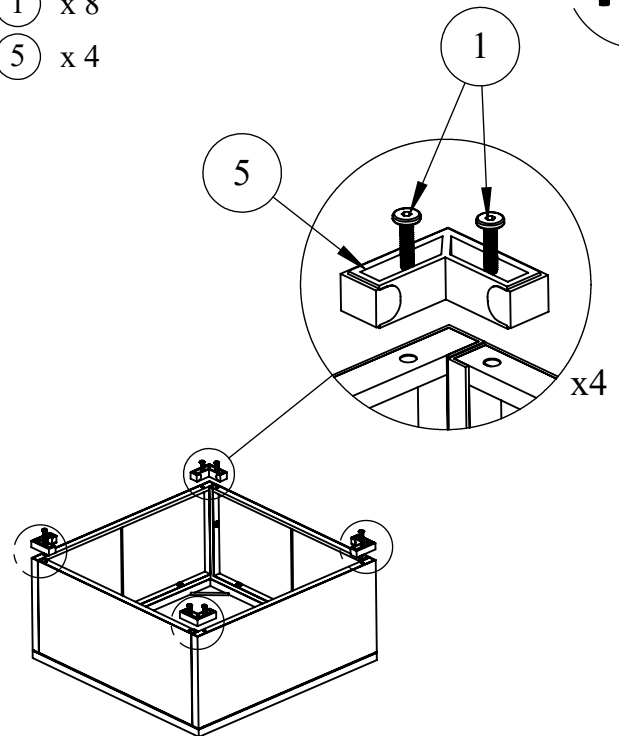
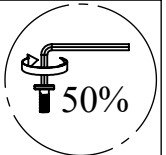


Connect part from STEP 18 & Side Table (P) with Bolt (1) & Washer (3).

STEP 20

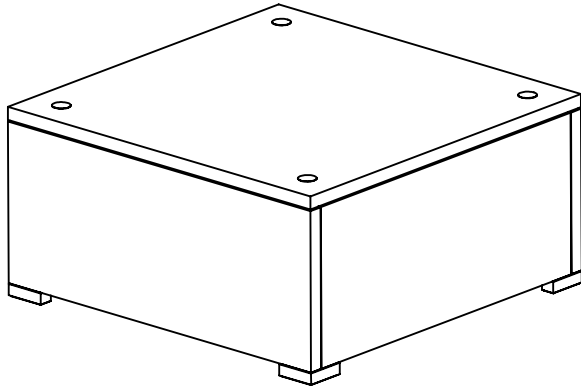
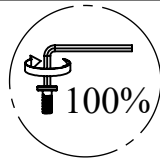
(1) x 8

(5) x 4



Connect part from STEP 19 & Leg (5) with Bolt (1).

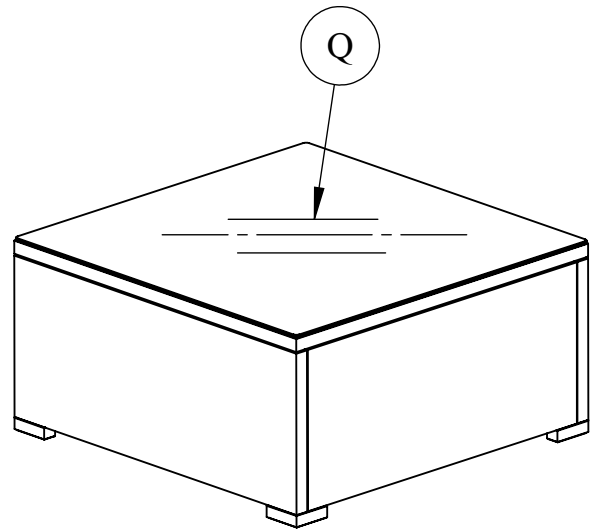
STEP 21



100% Tighten.

STEP 22

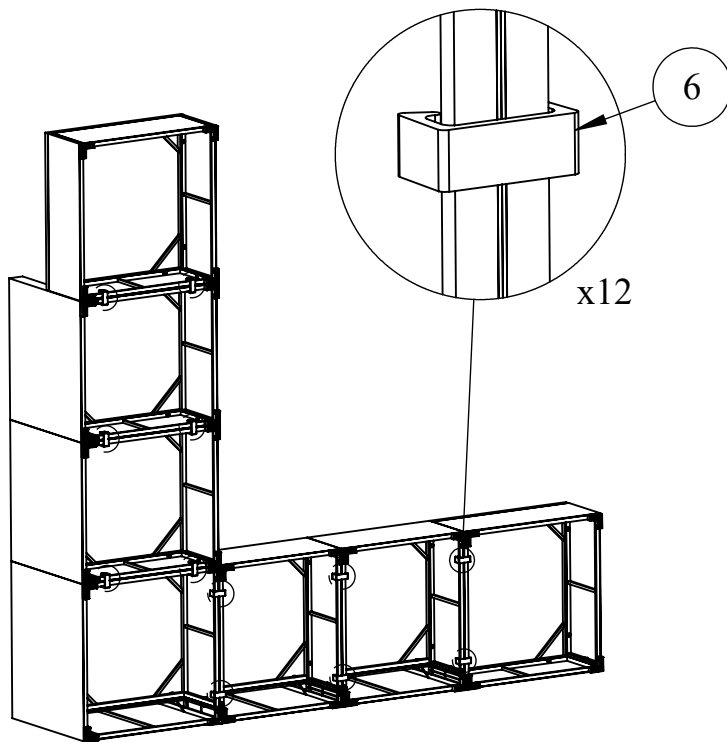
Q x 1



Put the Glass (Q) on to complete the Table.

STEP 23

6 x12



Connect 2 Corner, 2 Middle & Stool with Connector (6)

