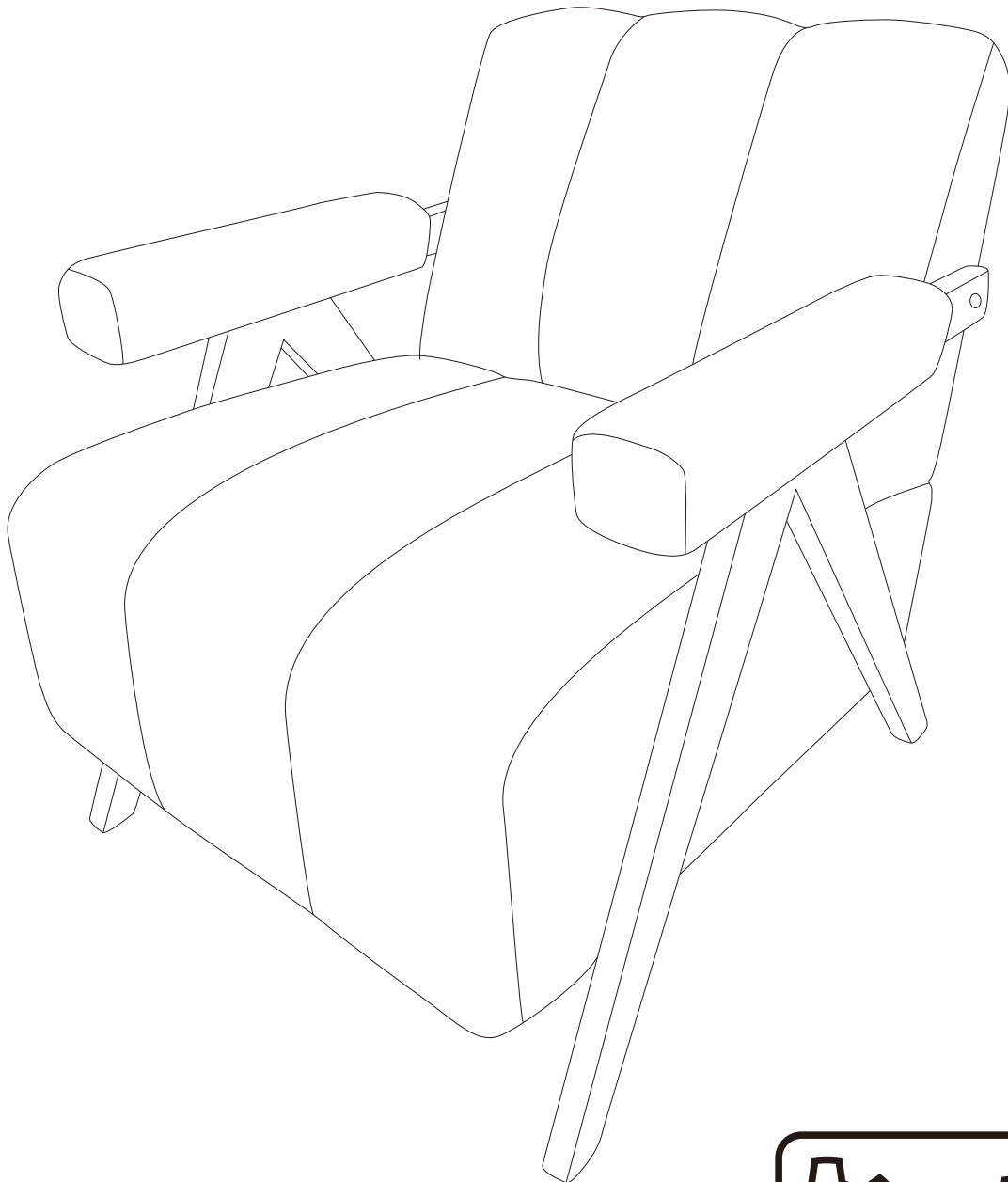


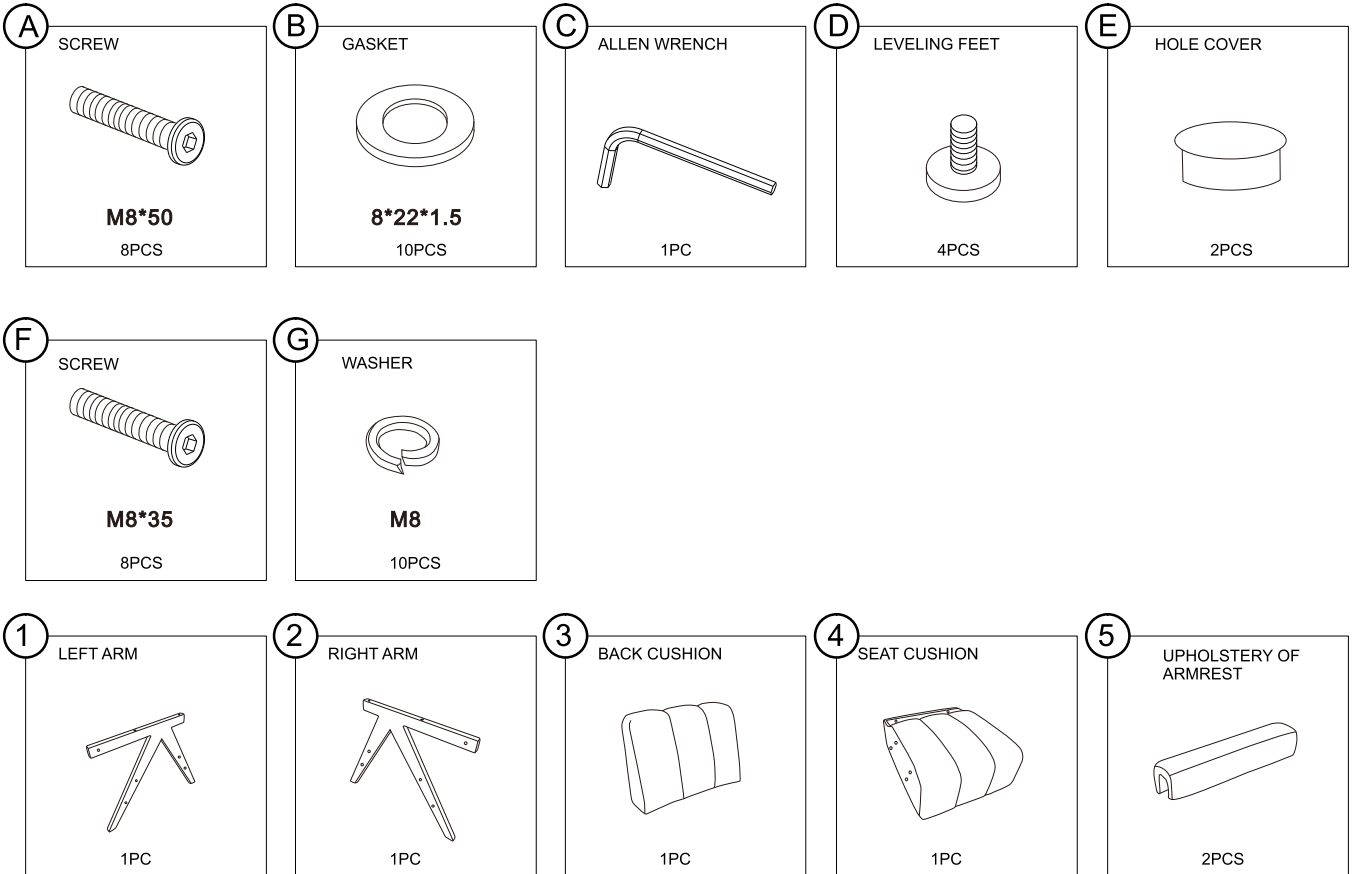
SIMPLICITY MEETS COMFORT



**EN:ARMCHAIR
ASSEMBLY INSTRUCTIONS**



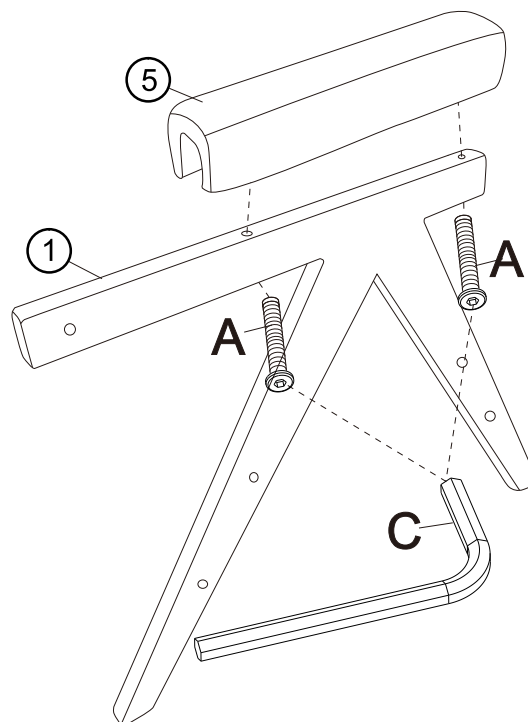
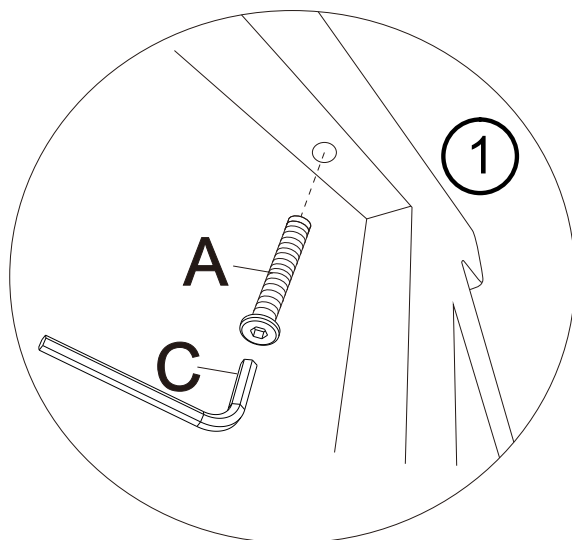
MATERIAL LIST / MATERIALLISTE










To avoid leaving scratches on the paint, please be careful while installing on the hard ground.

1

It is recommended that two people cooperate to install it.



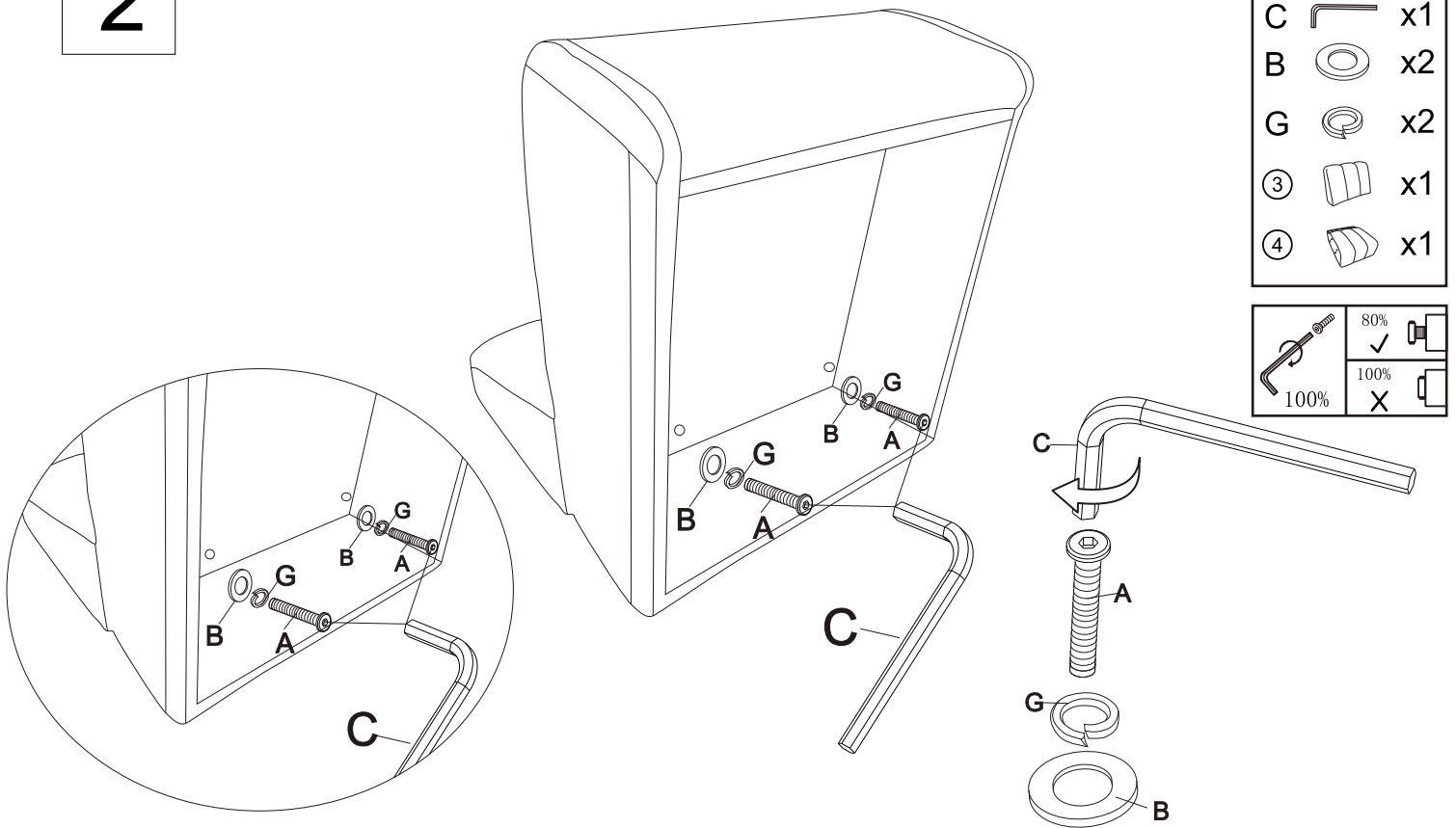
A		x2
C		x1
5		x1
1		x1

	80%	
	100%	



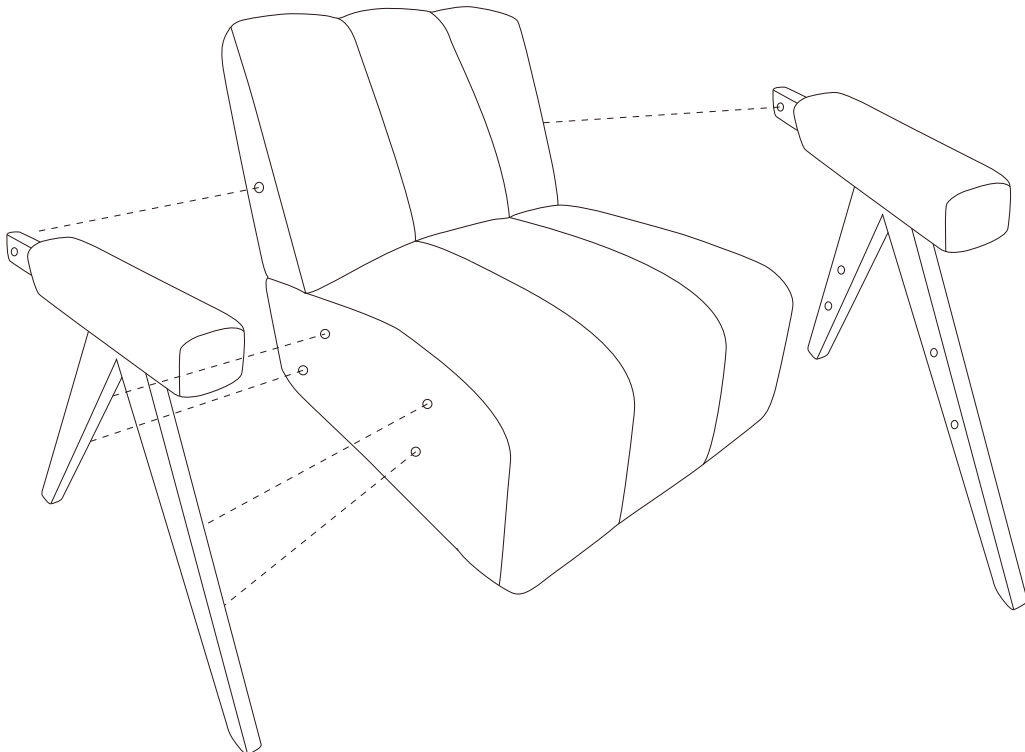
Tip: When installing product parts, tighten the screws temporarily to 80%, and tighten them completely after all the screws are accurately screwed into the screw holes.

2



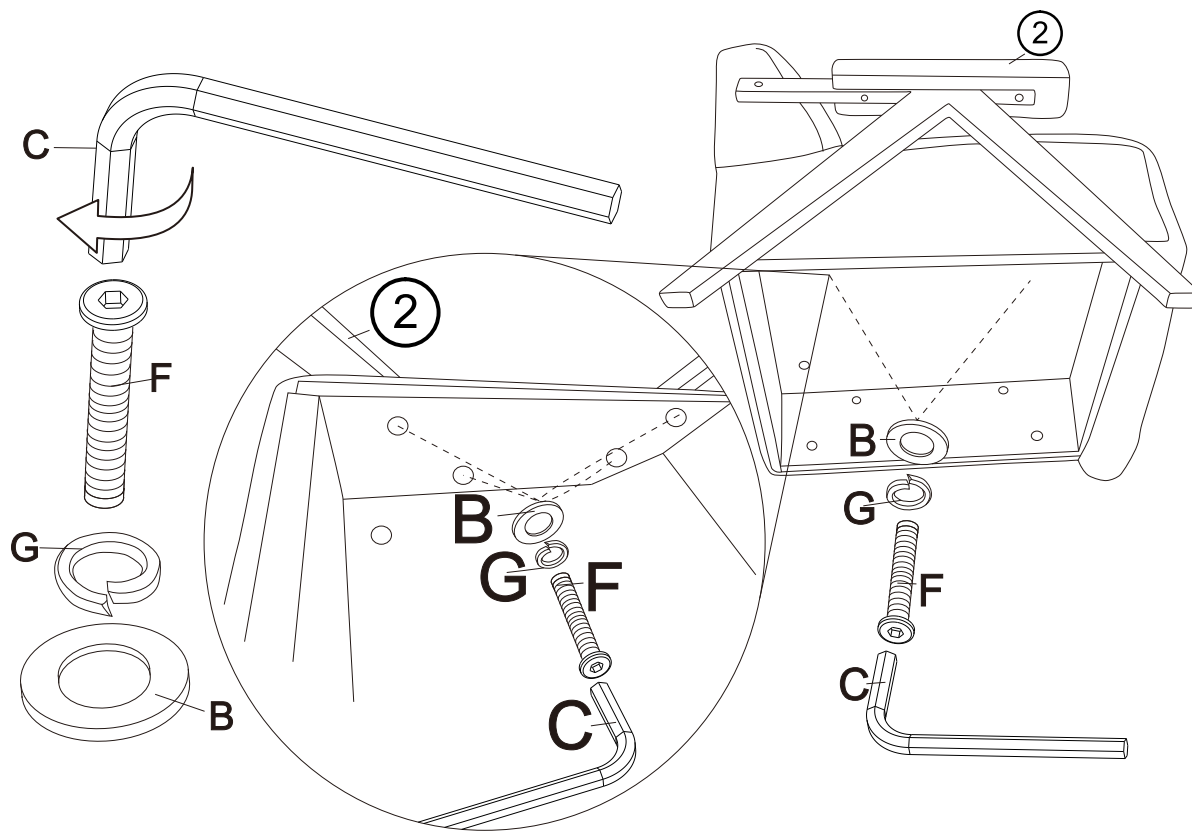
When installing the chair back, after all screws are accurately screwed into the screw holes, be sure to tighten the screws (it is recommended to use an electric screwdriver to tighten) to ensure the chair back is closely fitted to the seat cushion and to avoid misalignment of the screws with the screw holes when installing the armrests.

3



Tip: When installing product parts, tighten the screws temporarily to 80%, and tighten them completely after all the screws are accurately screwed into the screw holes.

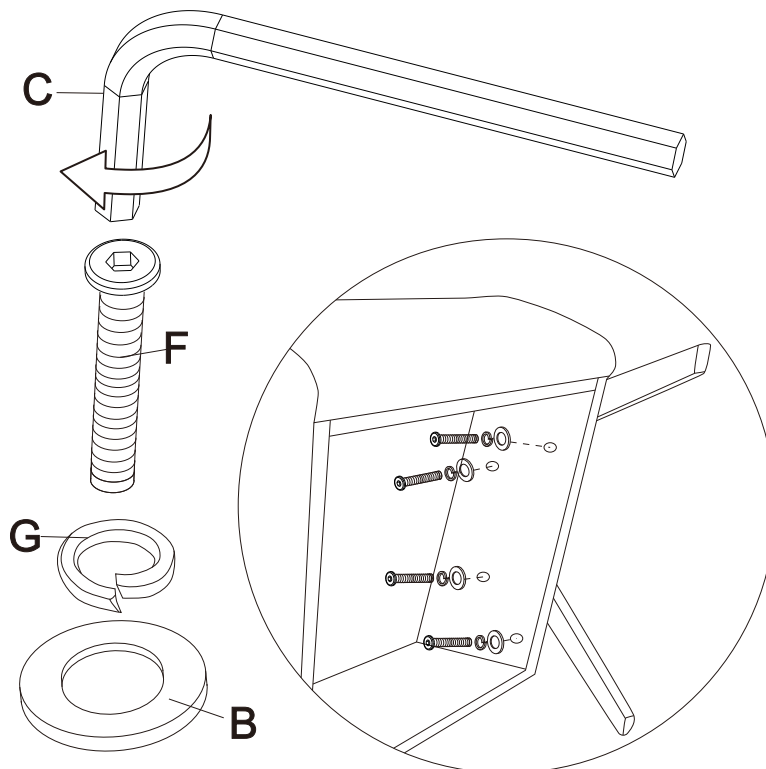
4



F		x4
C		x1
B		x4
G		x4

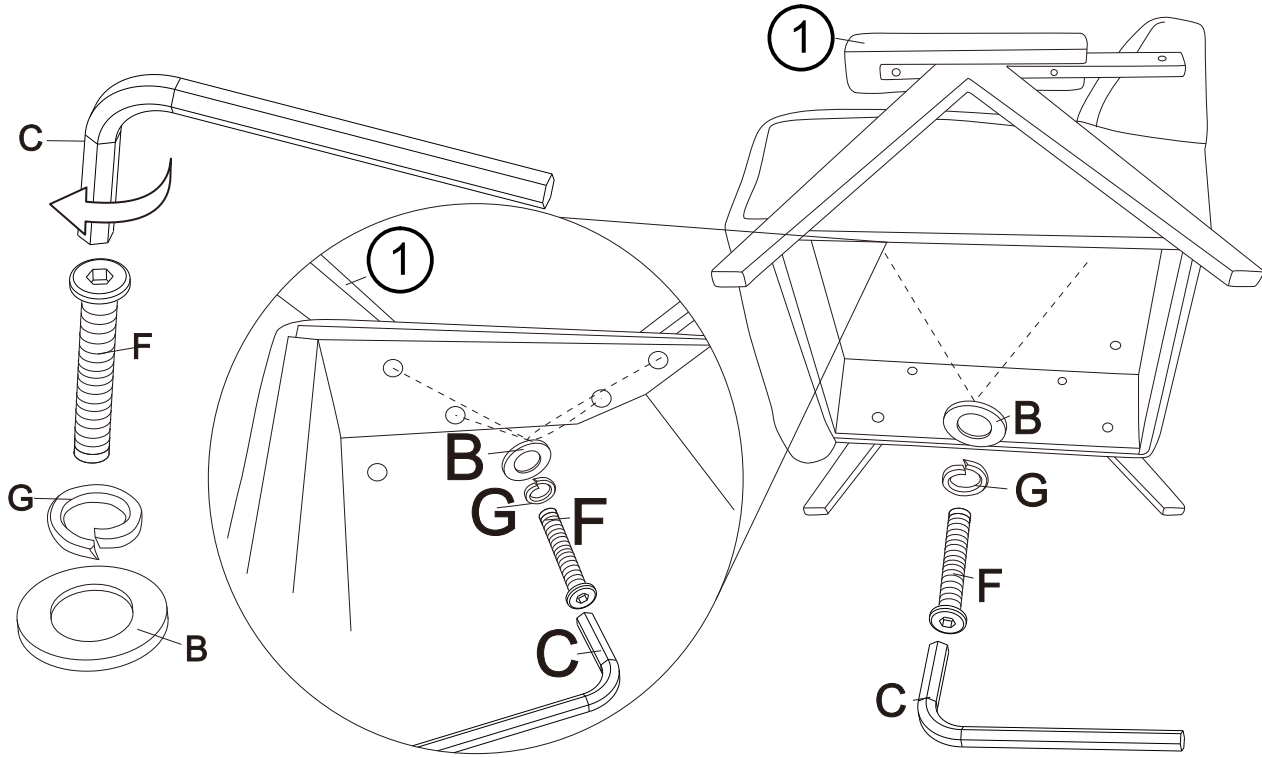
	80%	
	100%	X
100%		

5



Tip: When installing product parts, tighten the screws temporarily to 80%, and tighten them completely after all the screws are accurately screwed into the screw holes.

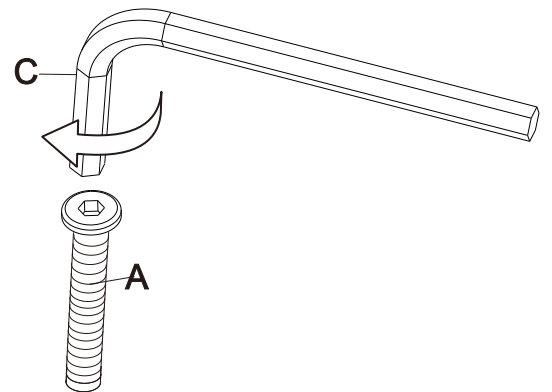
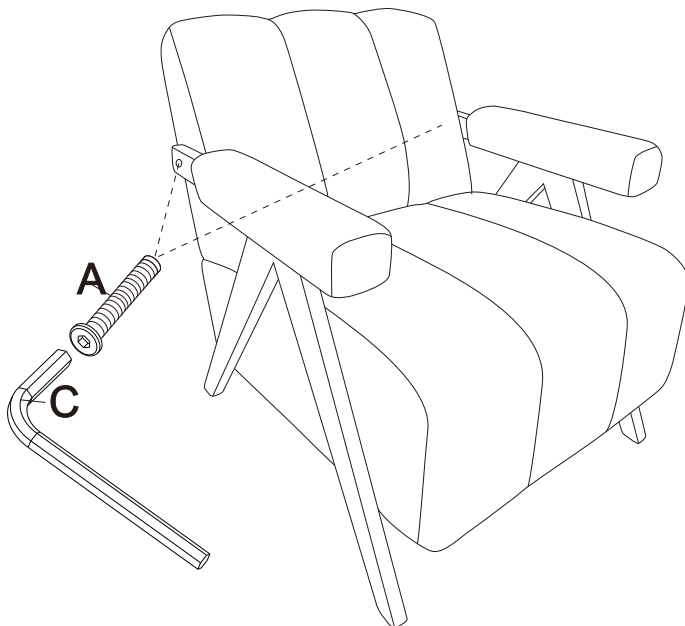
6



F		x4
C		x1
B		x4
G		x4

	80%	
	100%	
100%	X	

7







A		x2
C		x1

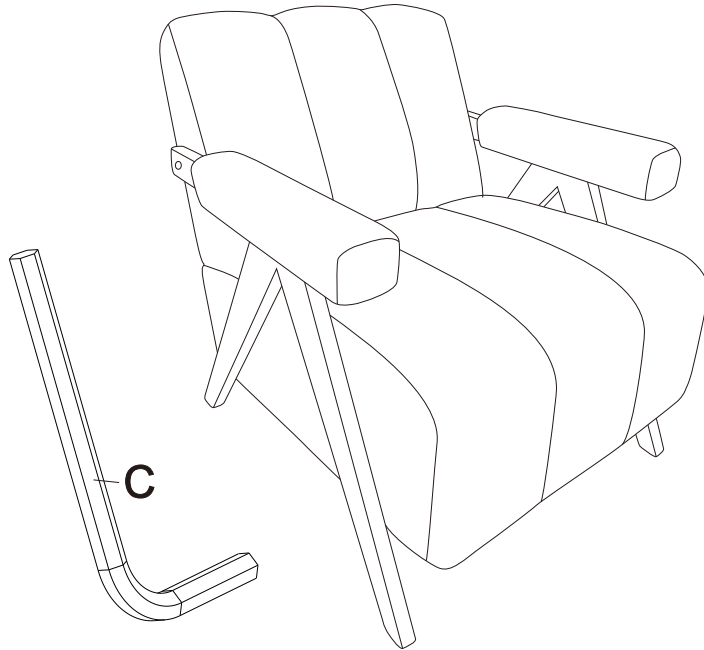
	80%	
	100%	
100%	X	

Tip: When installing product parts, tighten the screws temporarily to 80%, and tighten them completely after all the screws are accurately screwed into the screw holes.



8

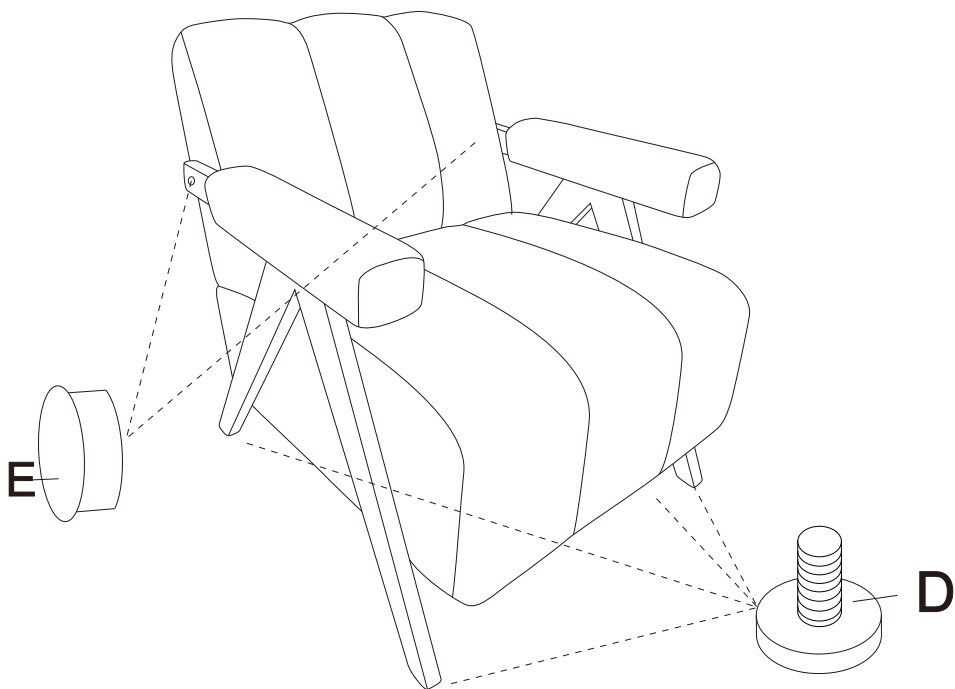
C  x1

	80%	
	100%	



9

E  x2
D  x4



Tip: When installing product parts, tighten the screws temporarily to 80%, and tighten them completely after all the screws are accurately screwed into the screw holes.

NOTICE/HINWEISE

- 1. Please retain these instructions for future reference.**
- 2. Do not stand on or use any part of this item as a step ladder.
firmly secure all bolts, screws.**
- 3. These chairs are designed to seat one person only per chair.**
- 4. Do not use the chair unless all the bolts and screws are finally tightened.**
- 5. At least every four months, please check all bolts and screws to make sure they are securely tightened.**
- 6. If any parts are missing, broken, damaged or worn, stop using this product immediately until repairs are made.**
- 7. Do not use this item in a way inconsistent with the manufacturer's instructions as this could void the product warranty.**
- 8. Failure to follow these warnings could result in serious injury.**