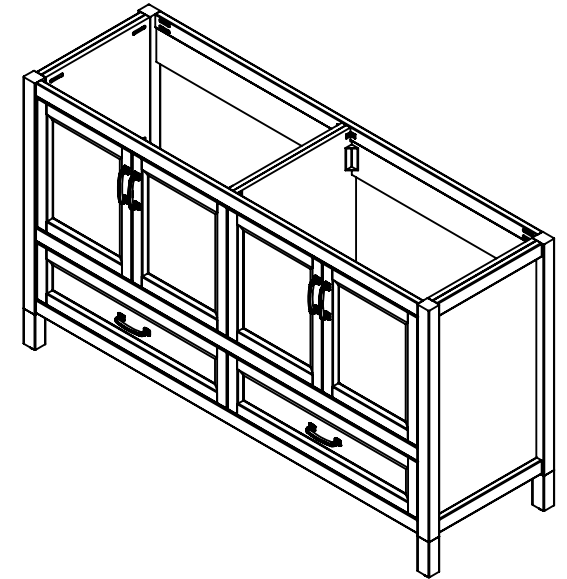
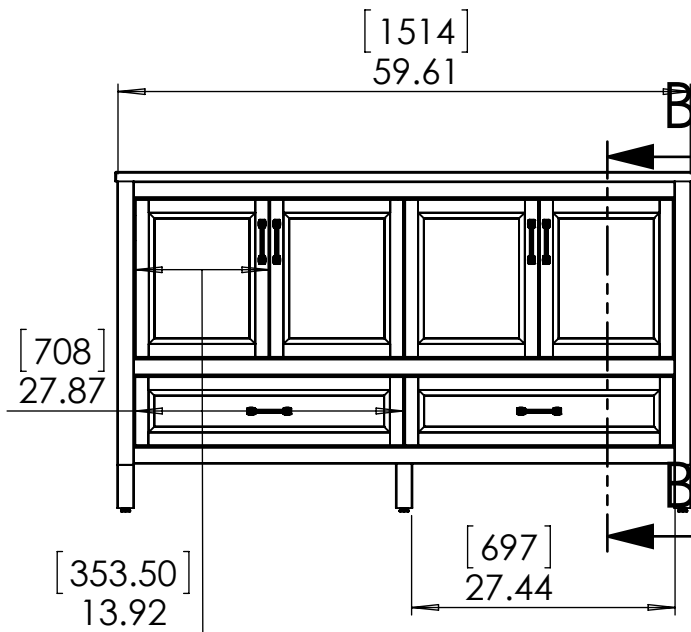


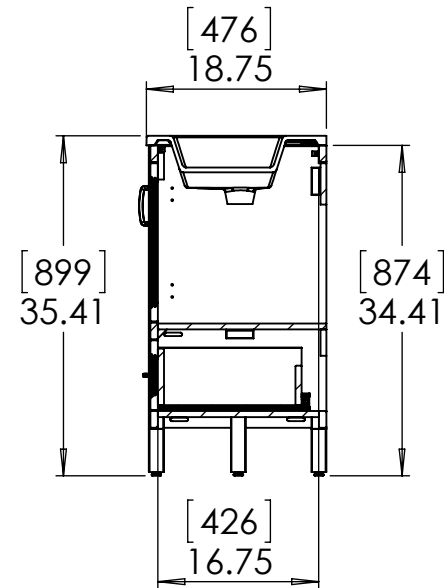
Top View



Isometric View

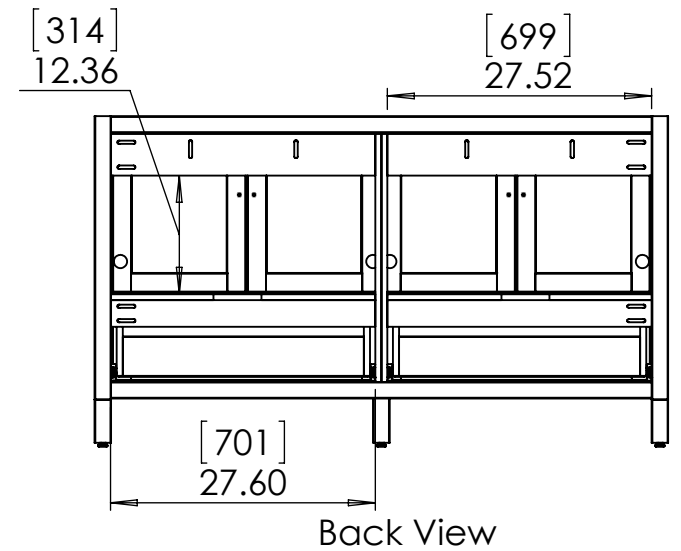
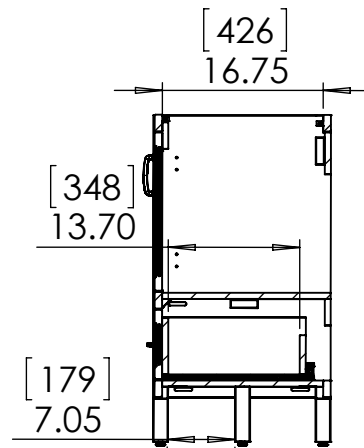
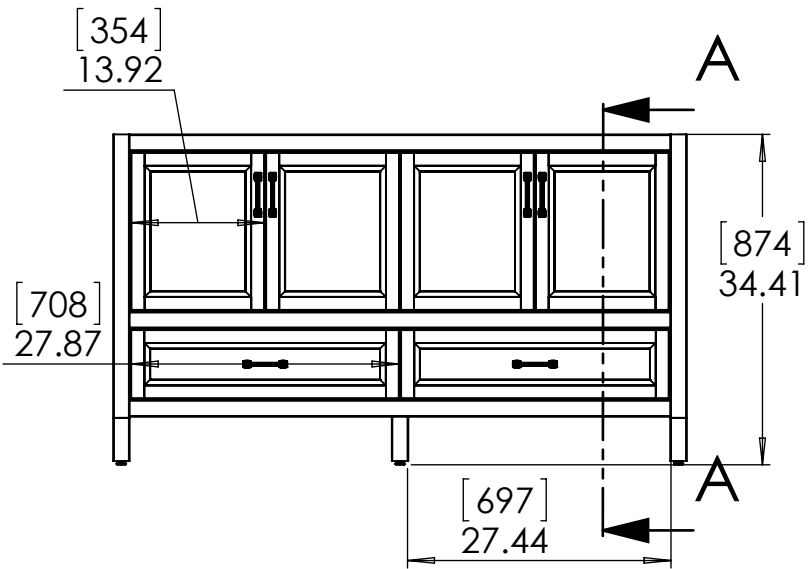
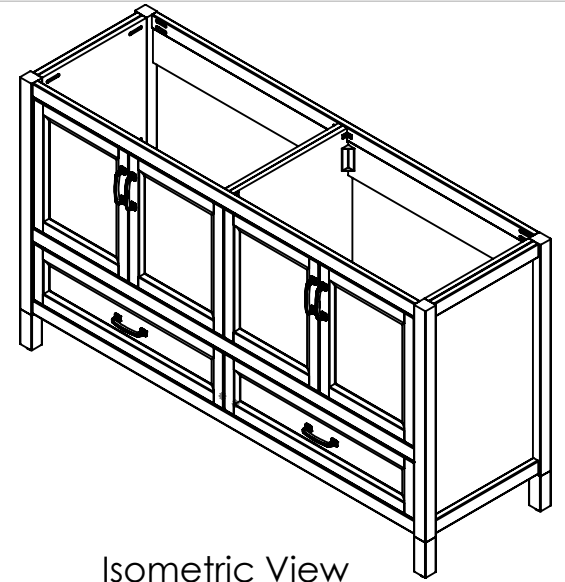
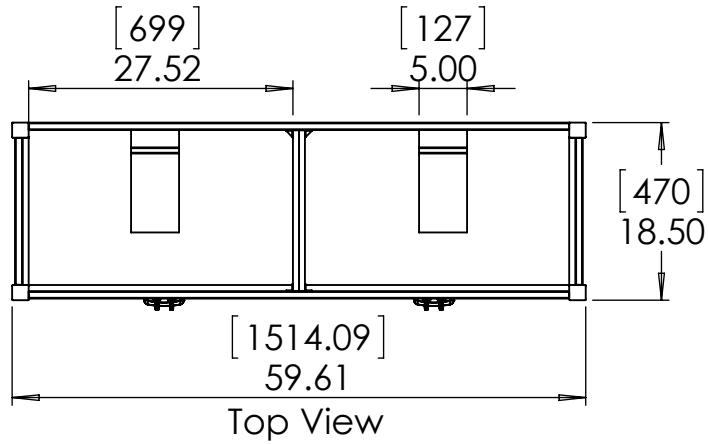


Front View

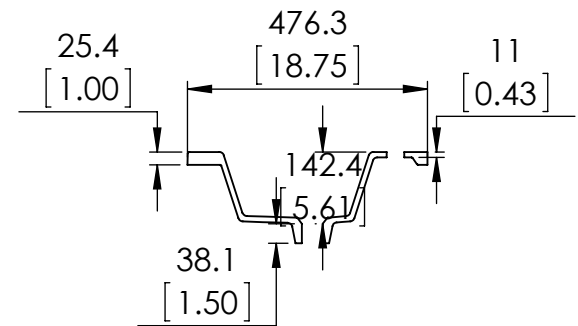
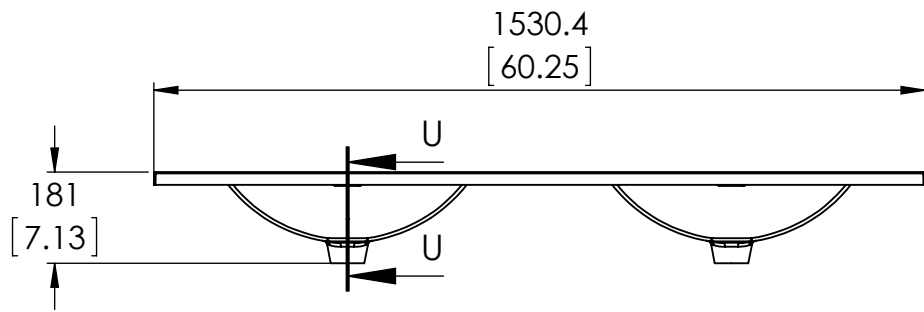
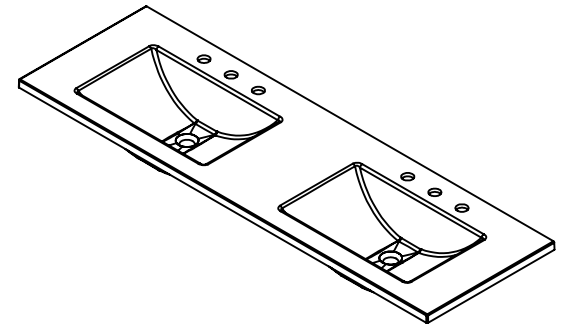
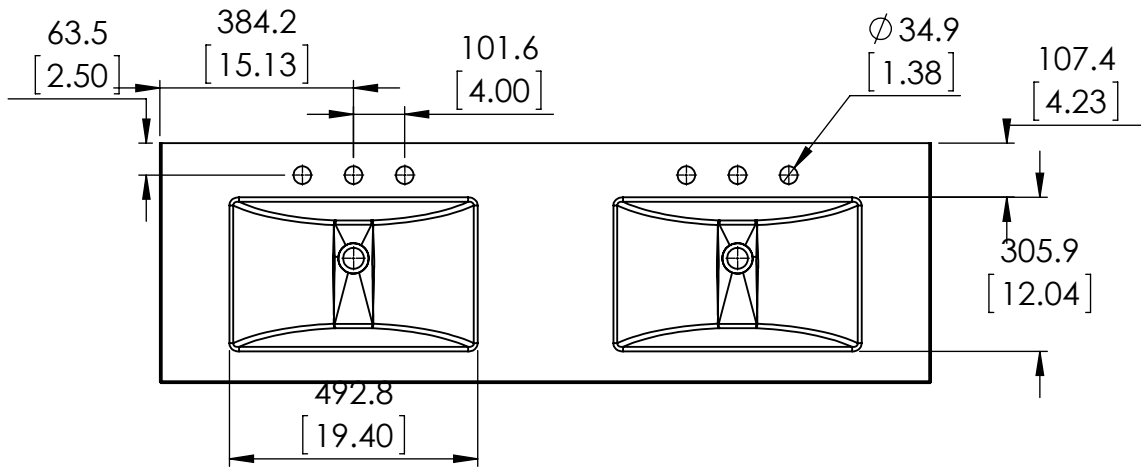


SECTION B-B
Side View

NAME:	60in Vanity
MATERIAL:	German beech 4/4 Particle Board Laminated in Light Gray



NAME:	60in Vanity
MATERIAL:	German beech 4/4 Particle Board Laminated in Light Gray



UNLESS OTHERWISE SPECIFIED
 DIMENSIONS ARE IN MM.
 AND [INCHES]
 TOLERANCES ARE
 + 3.175 [0.125] - 3.175 [0.125]
 SCALE: 1:10