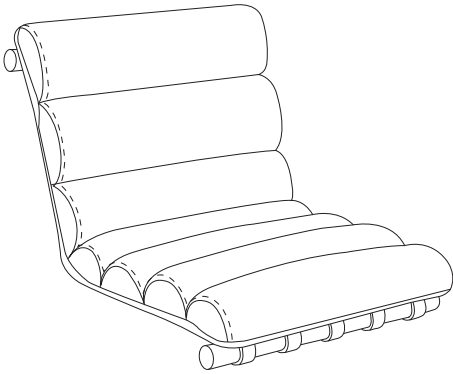
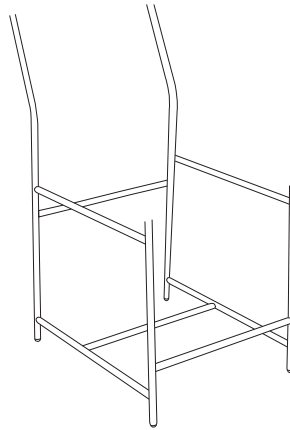


ASSEMBLY INSTRUCTION

Leather Seat

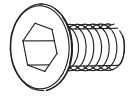


Metal Legs



Accessories

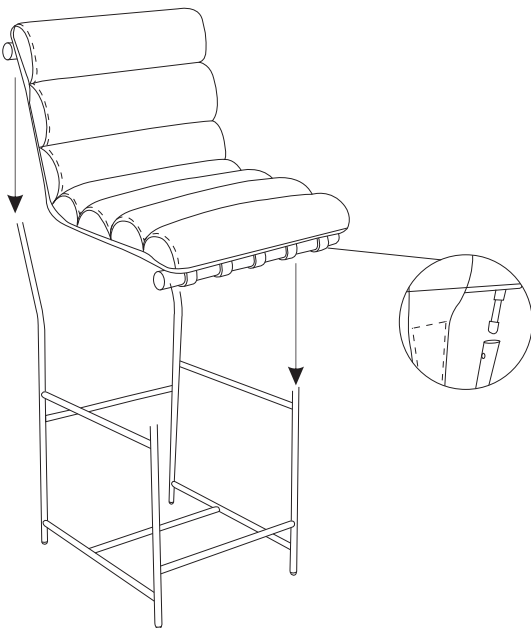
4 x



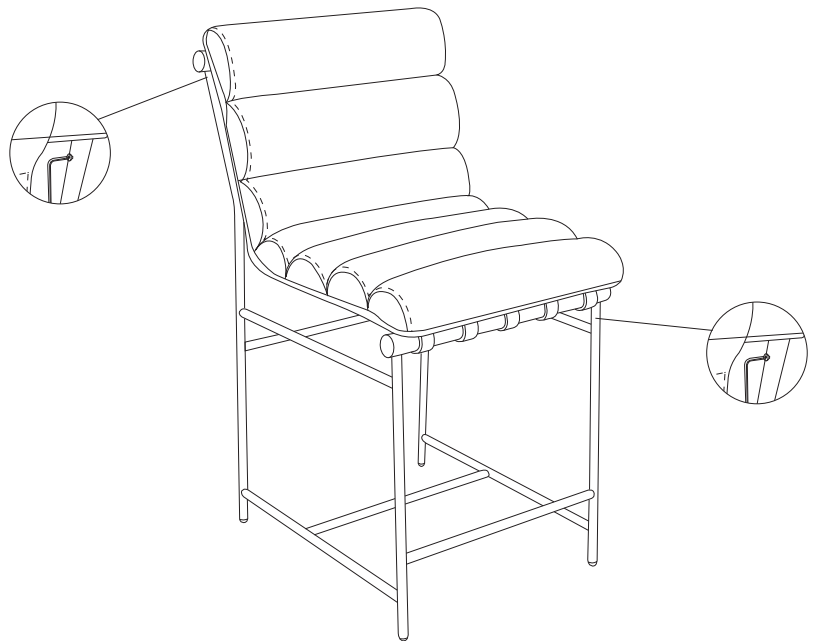
1 x



Step 1



Step 2



Instruction to be Followed:-

1. Fix the Leather seat into the iron leg by inserting the metal hook following the **Step 1**.
2. Do the same four all four sides.
3. Then screw the bolts into the legs with help of allen key as shown in **Step 2**.
4. After fastening of leather seat and metal legs tighten the bolts properly before use.

