




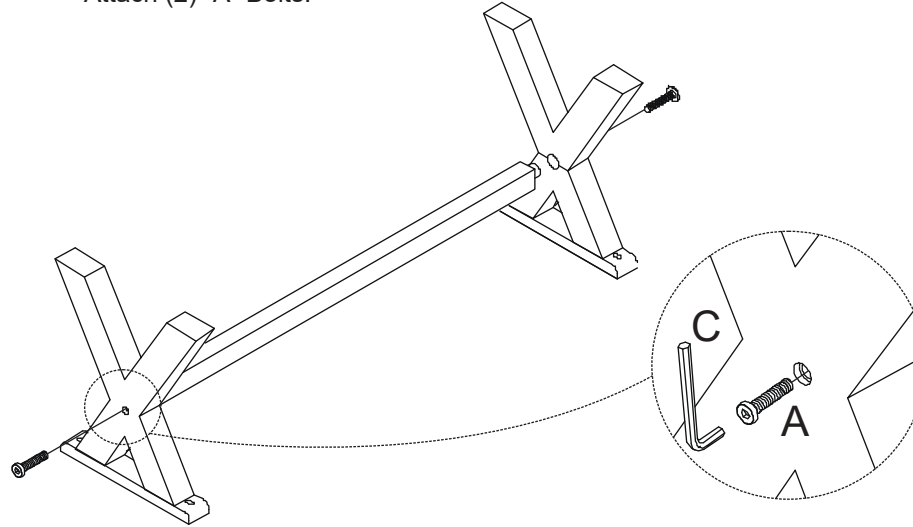
# Bench

## Assembly Instruction & Care:

Please assemble on a soft surface after removing contents as not to scratch or damage stone surface. Also, take caution with finger prints and dirt during assembly. Wash with soft cloth and mild detergent like Dawn or Palmolive diluted with warm water. Scrub gently. Enjoy!

Item	Description	Q'ty
A	 Bolt M8x50	06
B	 Flat Washer M8	04
C	 Allen Key	02
D	Portable Drill Bit	01

**STEP 1** • Assemble two bench base legs with crossbar.  
• Attach (2) "A" Bolts.



### STOP! PLEASE READ FIRST:

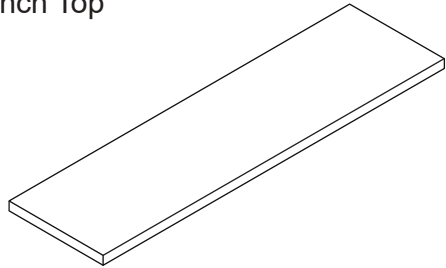
Thank you for purchasing this item

Please verify all the hardware and components are included as you unpack the carton. Place the items in a safe area to avoid loss and damaging contents. Use a soft area or use the empty box to assemble the set.

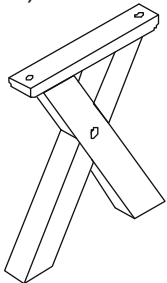
**ASSEMBLY TIPS** Assemble upside down with the table top and sofas facing down. Never over-tighten bolts. It's best to assemble with 2 people.

Please review the "PLEASE OIL ME" card for how to care & maintain your new furniture.

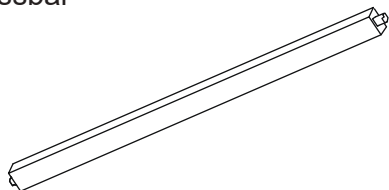
### Bench Top



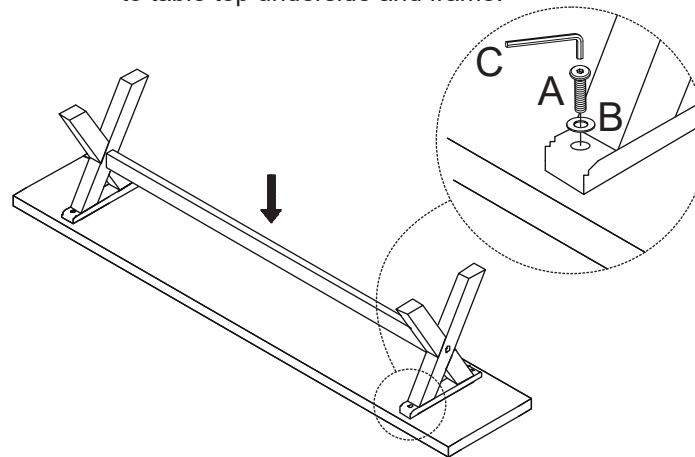
### Bench Base(2pcs)



### Crossbar



**STEP 2** • Place Bench top on a soft surface upside down as shown.  
• Fasten (4) "A" Bolts and (4) "B" Flat washers to table top underside and frame.



**STEP 3** • With two people carefully stand Bench upright.

