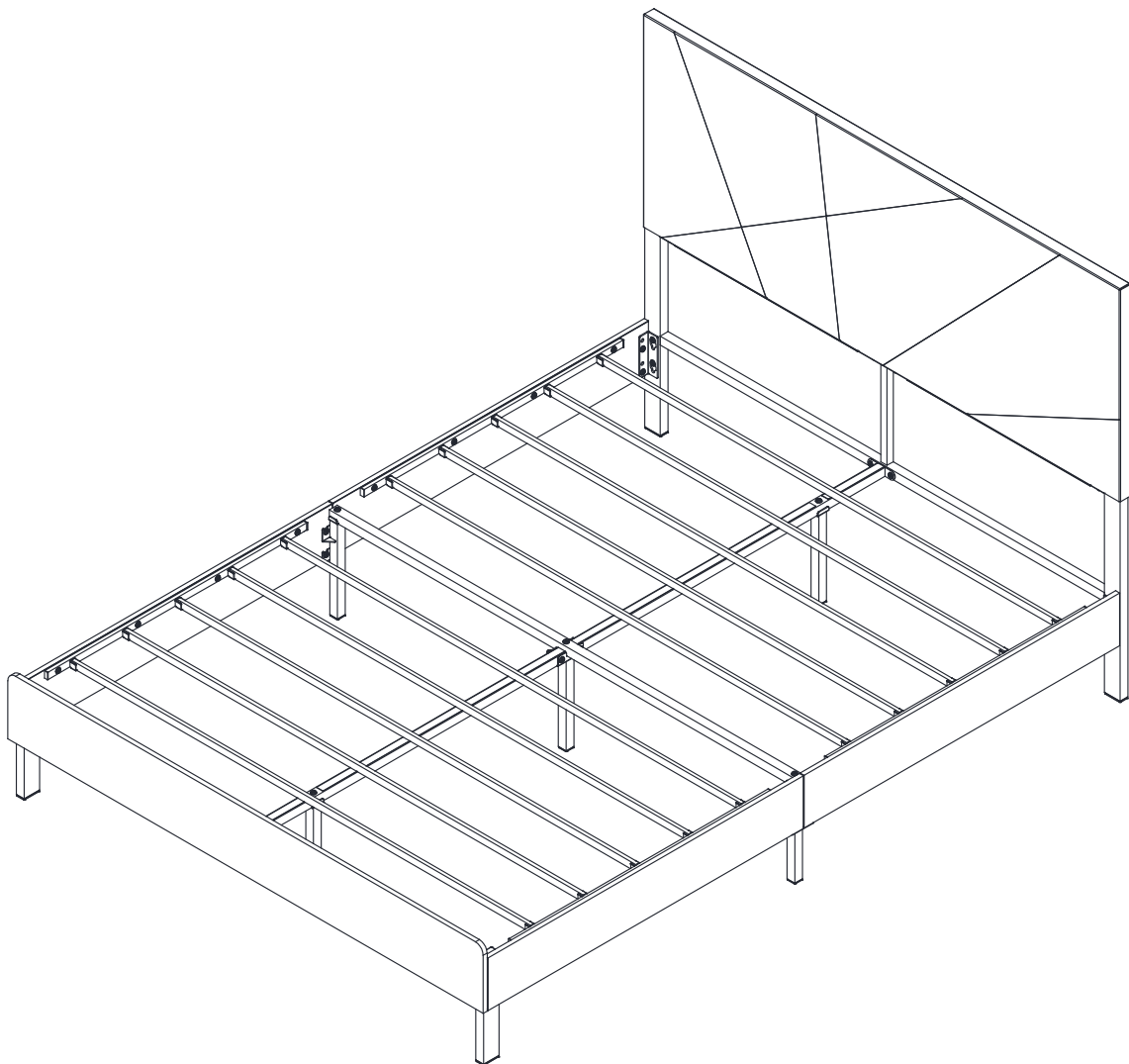
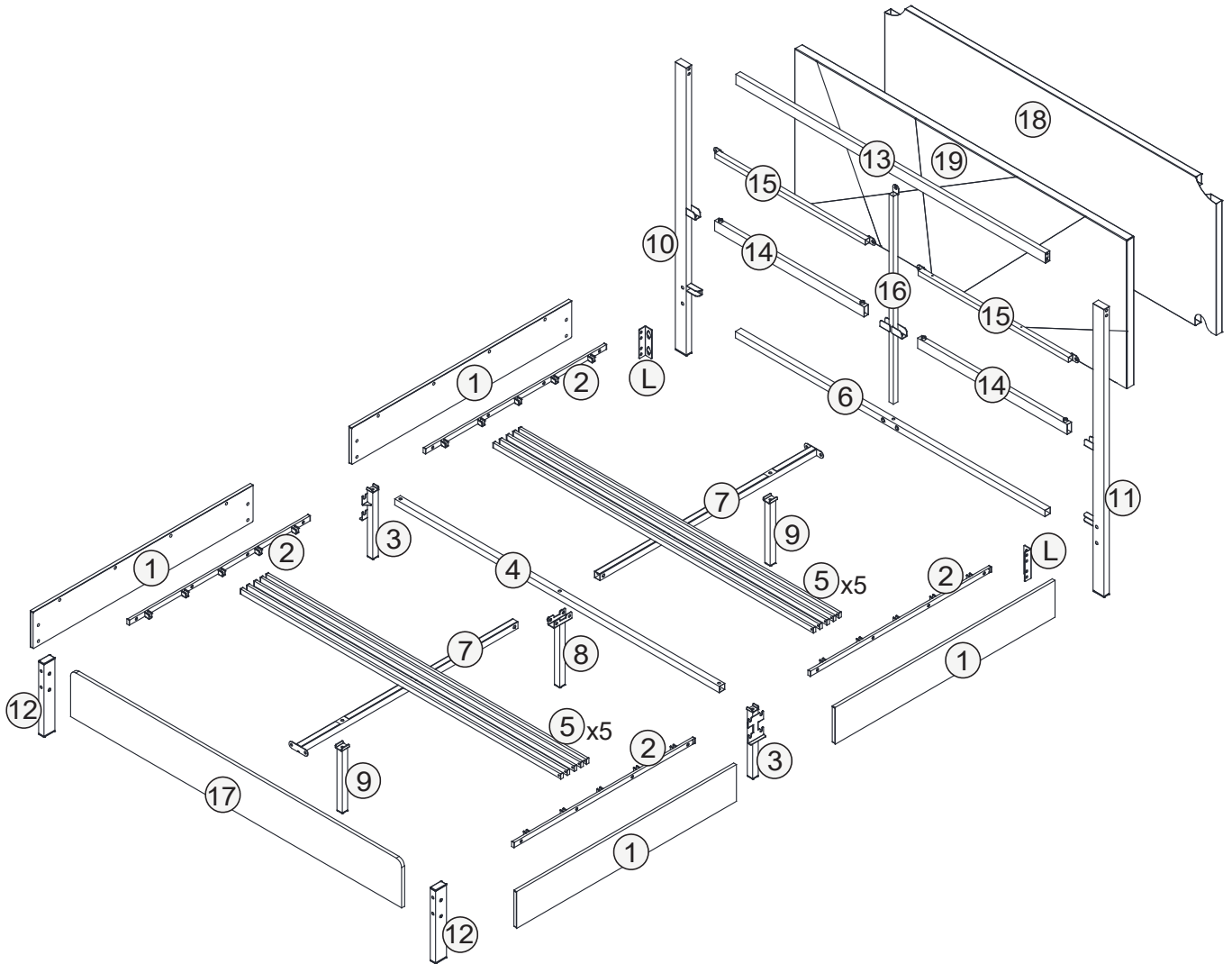


BED FRAME



Thank you for choosing our products, please assemble and use it following the instructions.

Assembly Instruction

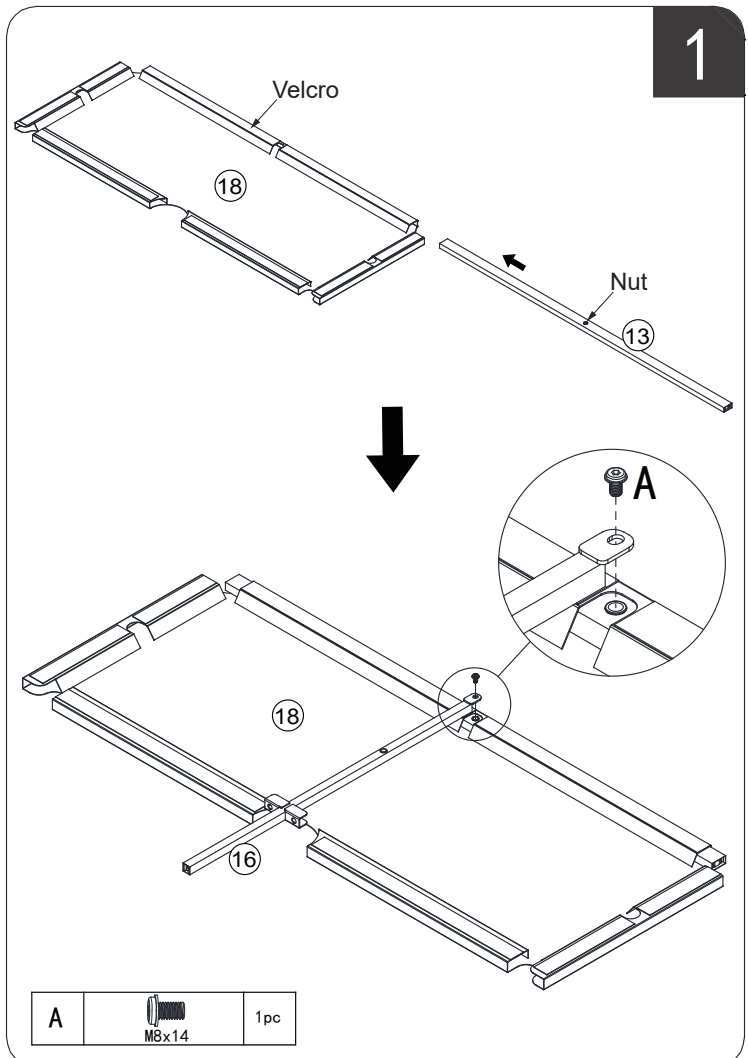
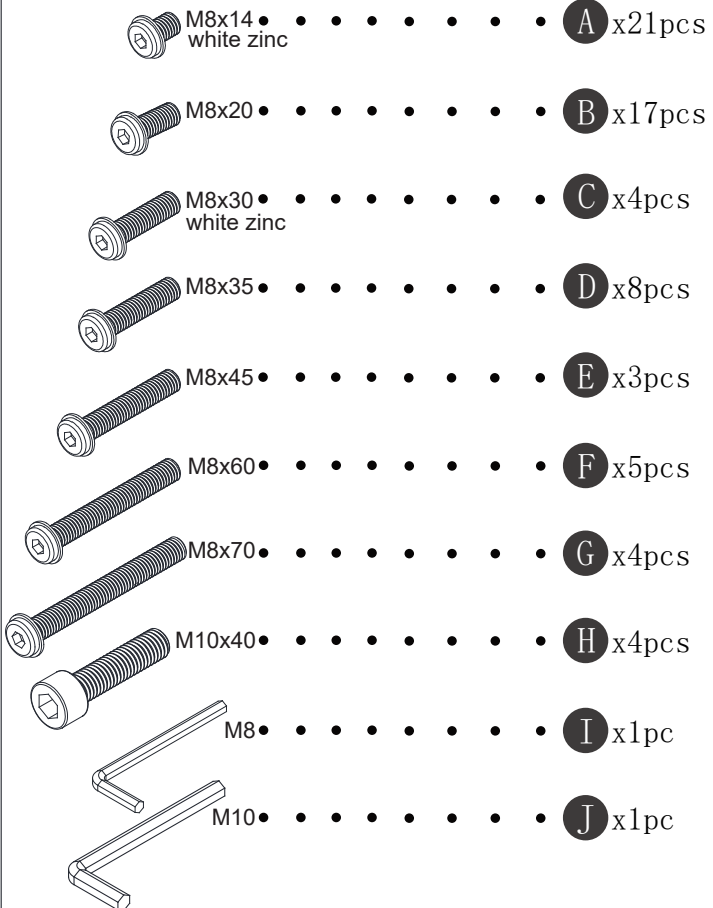
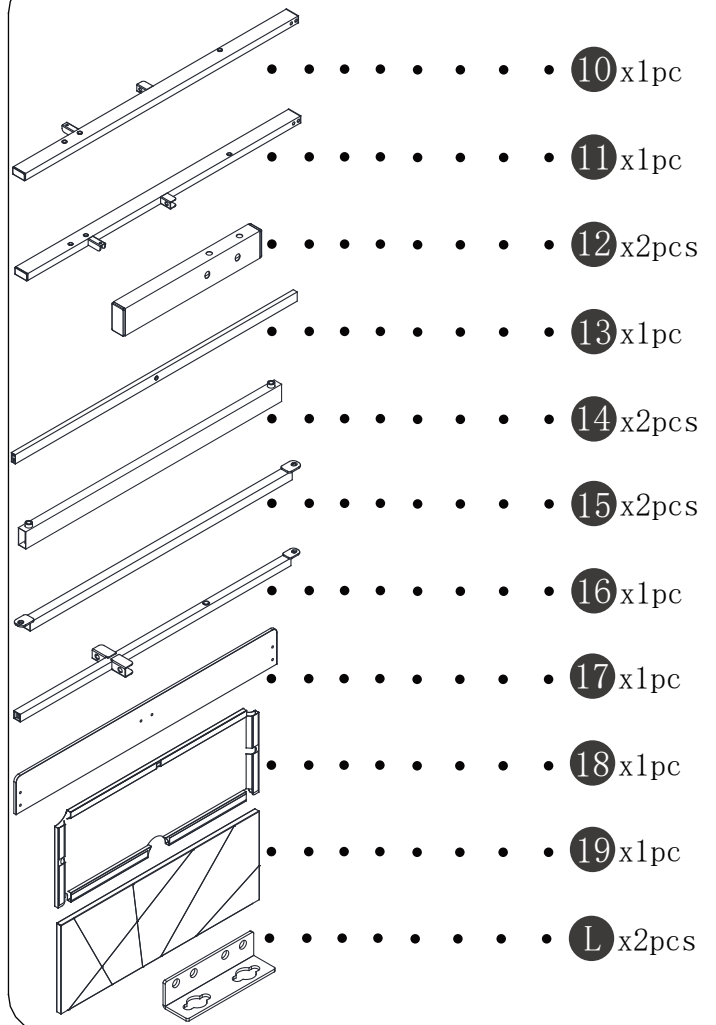
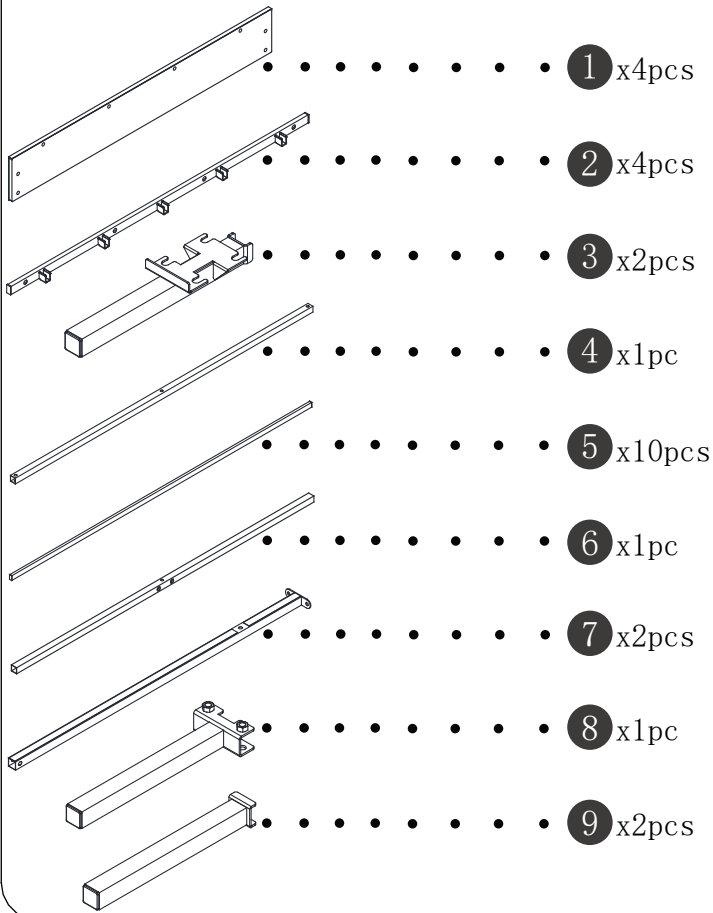


Important Note

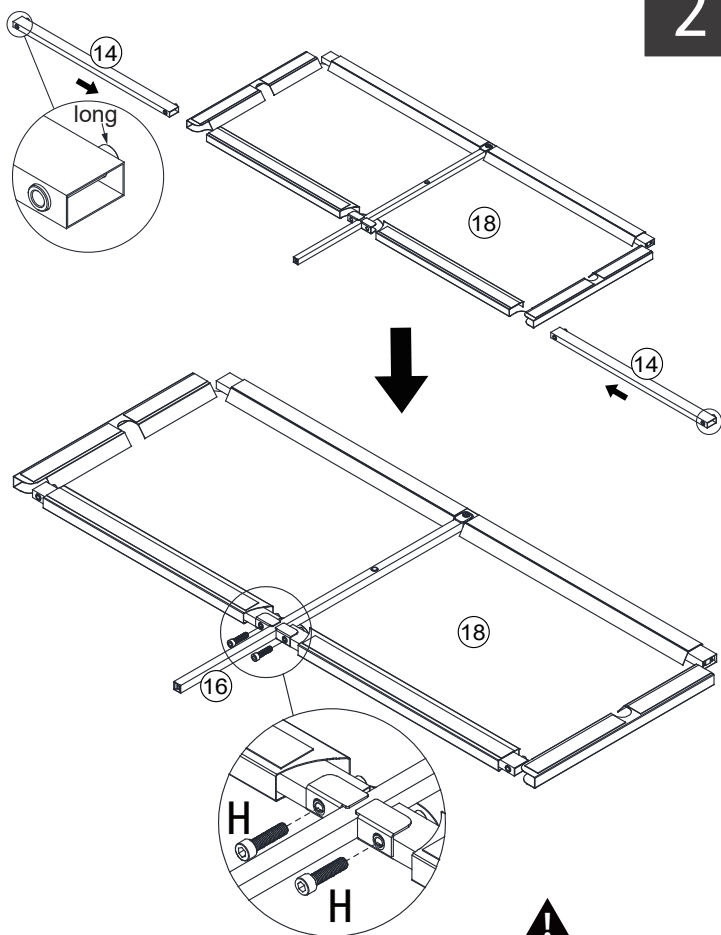
HARDWARE NOTE :


1. Two or more people are required for assembly
2. Do not screw on the bolts too tight unless the installation is done. Make sure all bolts are tightly screwed before you use it.

Components



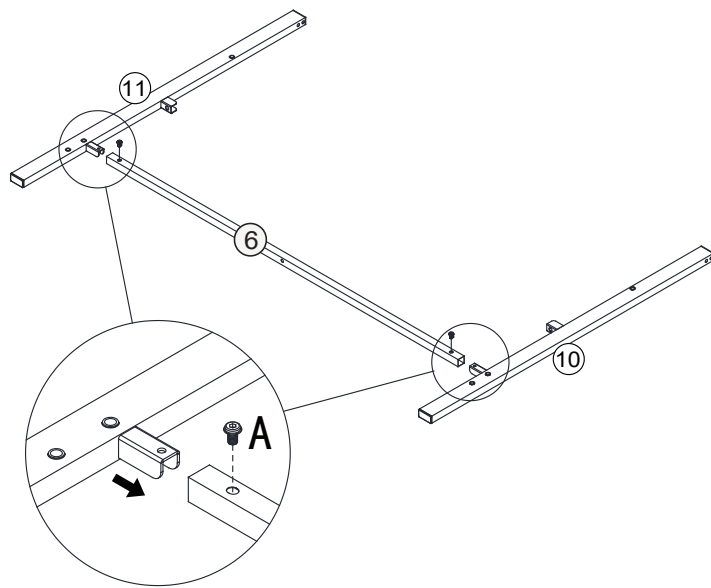
2




| | | |
|--------|---|------|
| H |  | 2pcs |
| M10x40 | | |

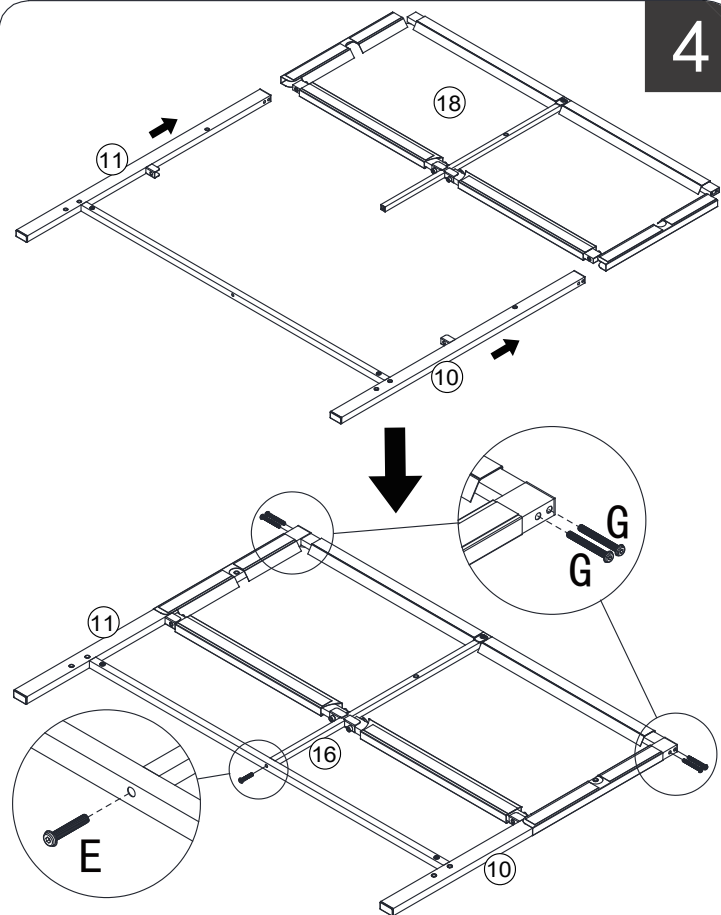
The screws are retracted by 50 percent.



3



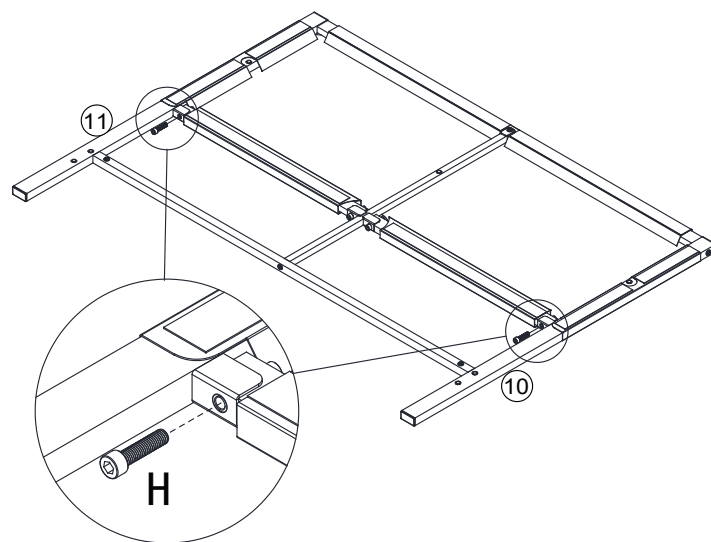
| | | | |
|-------|---|------|------------|
| A |  | 2pcs | white zinc |
| M8x14 | | | |

4

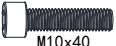


| | | |
|-------|---|------|
| E |  | 1pc |
| M8x45 | | |
| G |  | 4pcs |
| M8x70 | | |

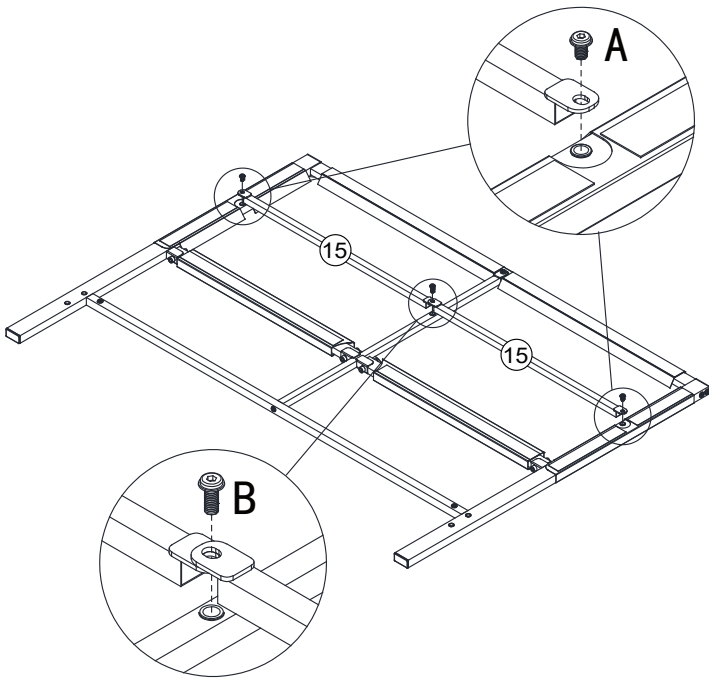
5




Fully tighten all the screws.

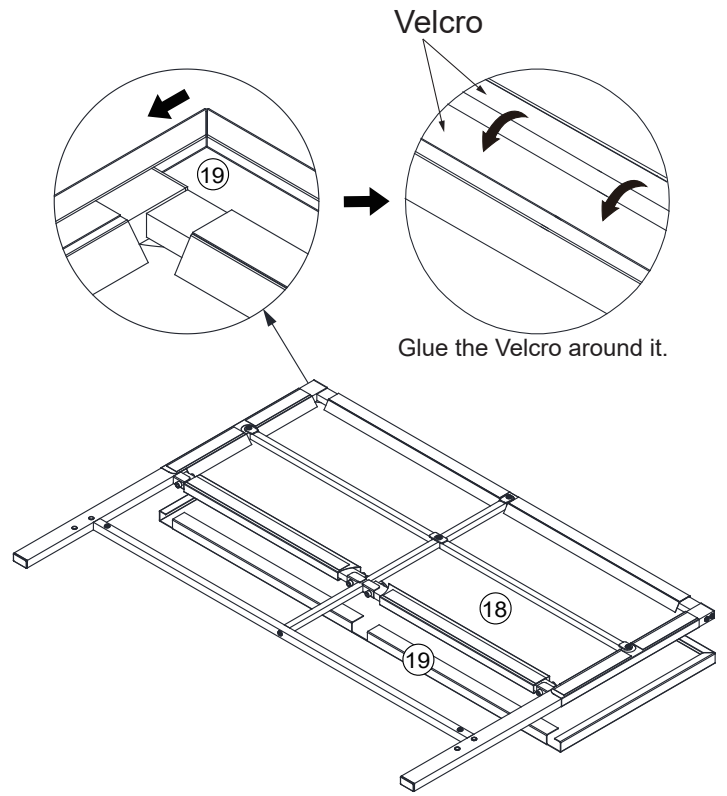
| | | |
|--------|--|------|
| H |  | 2pcs |
| M10x40 | | |

6

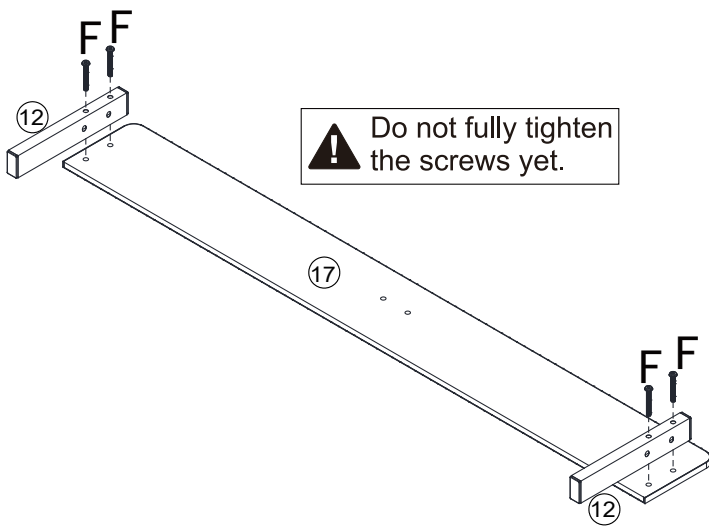



| | | | |
|---|---|------|------------|
| A |  M8x14 | 2pcs | white zinc |
| B |  M8x20 | 1pc | |

7



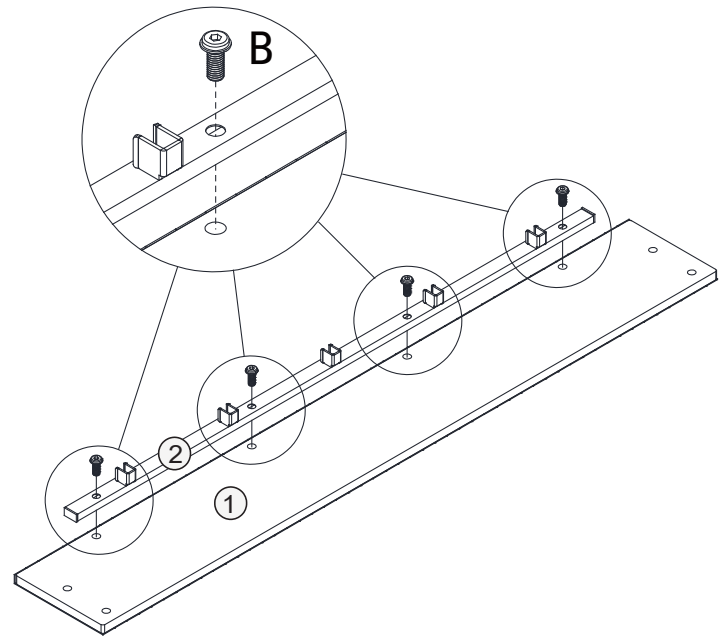
8




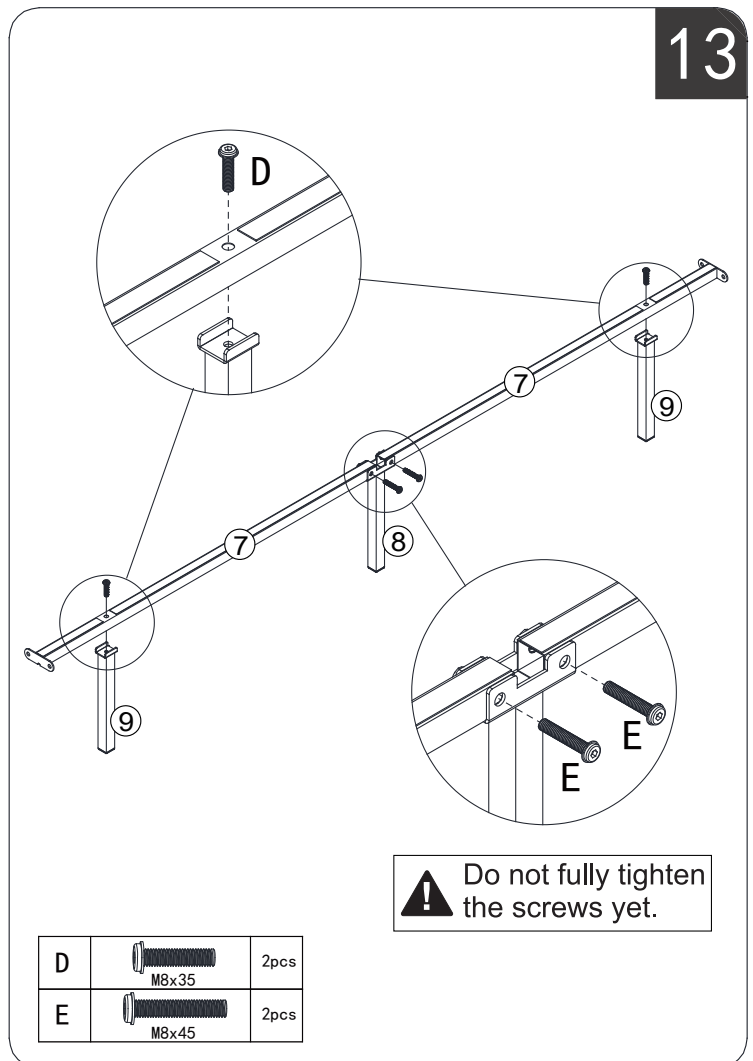
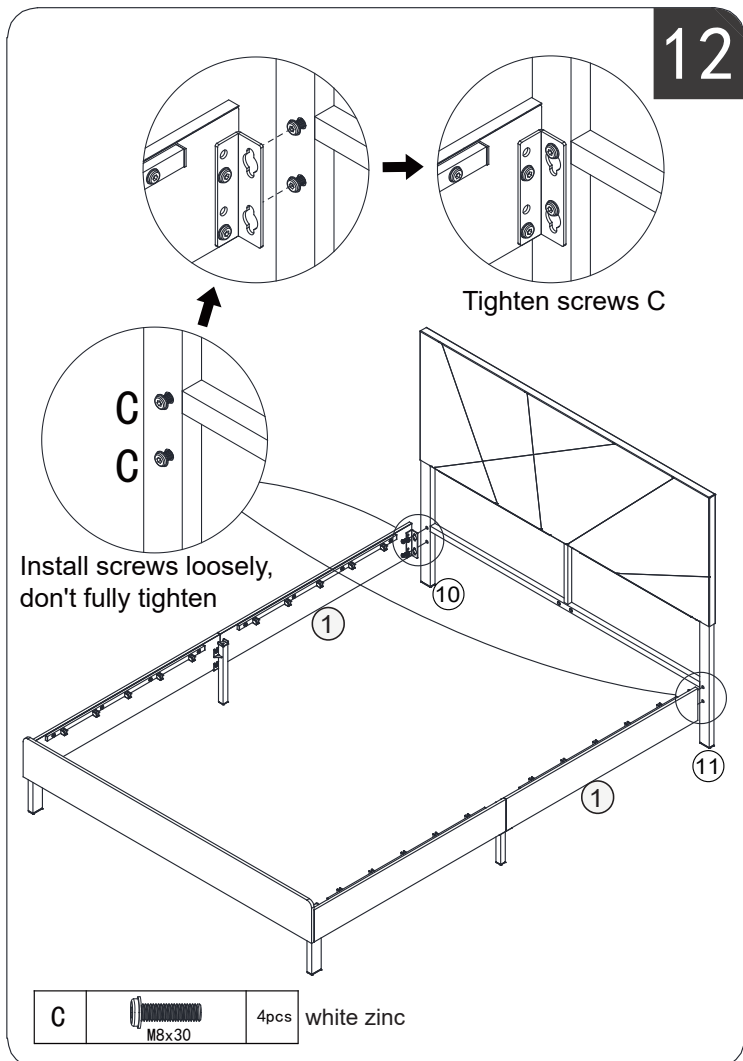
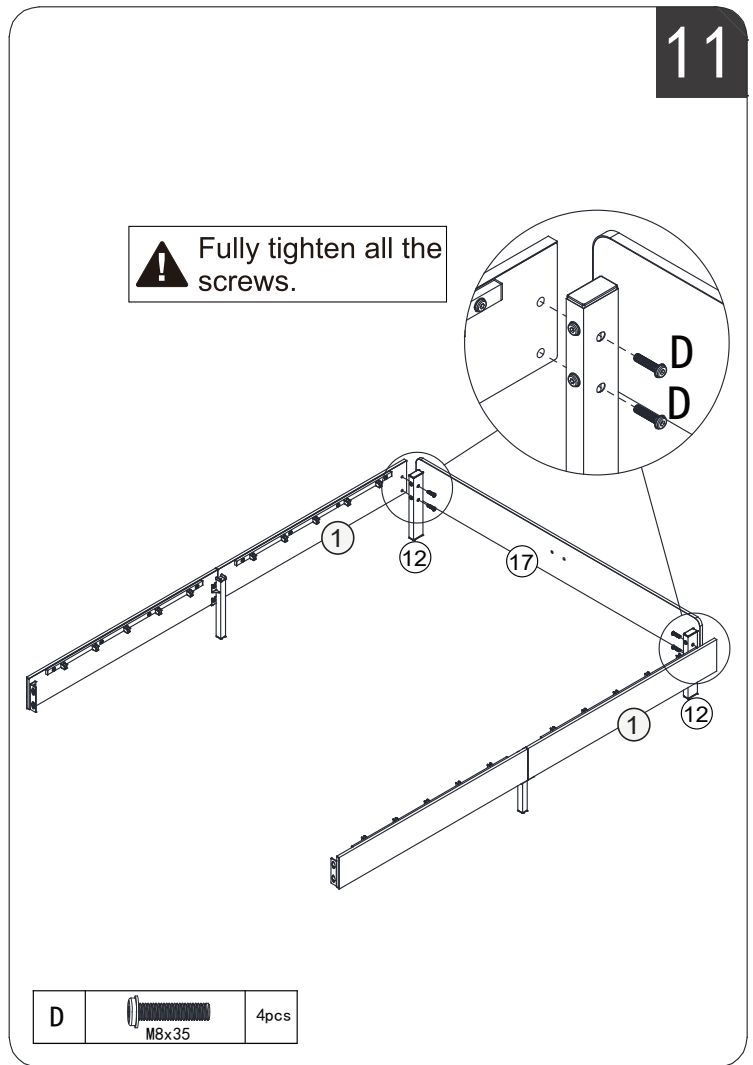
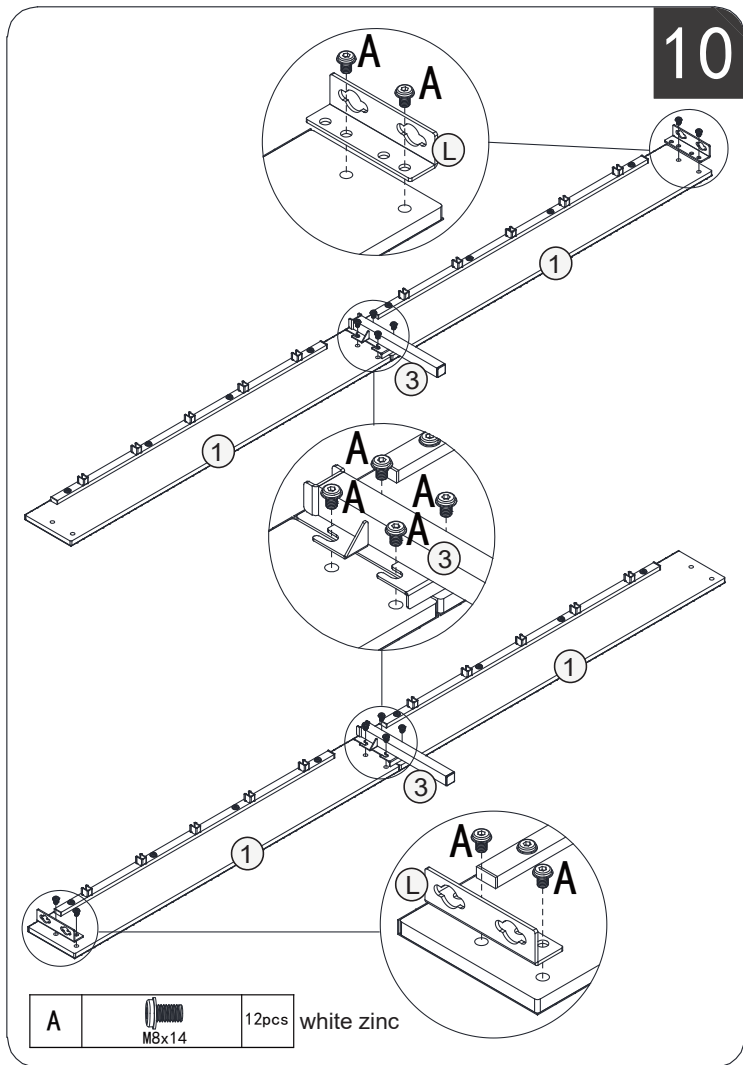
| | | | |
|---|---|------|--|
| F |  M8x60 | 4pcs | |
|---|---|------|--|

9

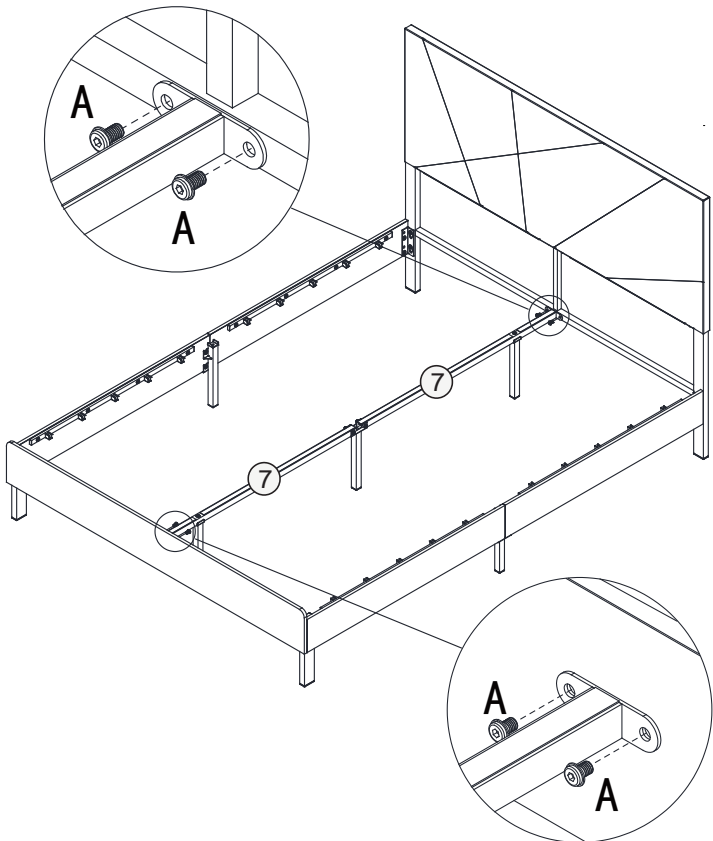
x4




| | | | |
|---|---|-------|--|
| B |  M8x20 | 16pcs | |
|---|---|-------|--|



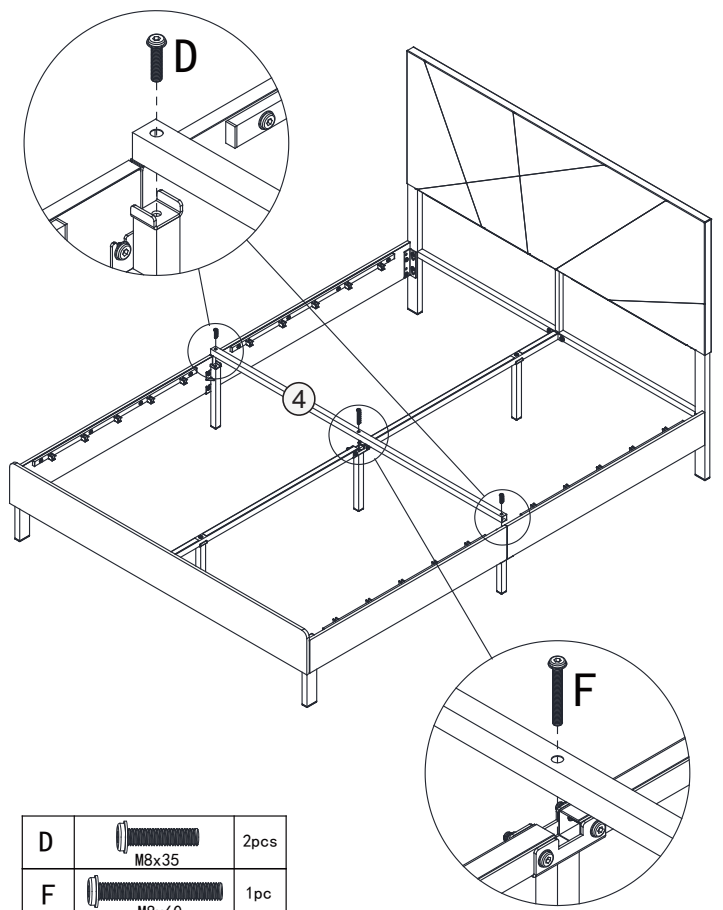
14





To assemble first

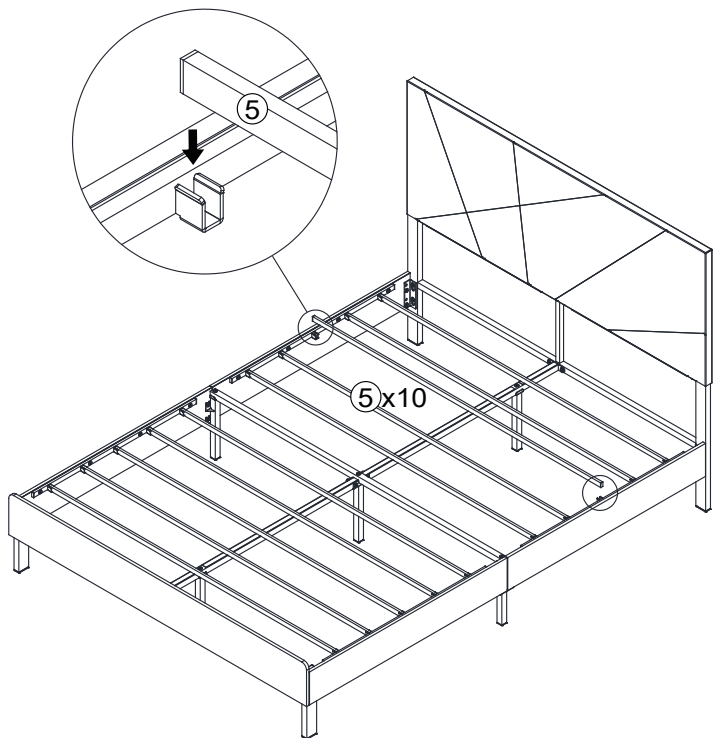
| | | |
|---|---|-----------------|
| A |  | 4pcs white zinc |
|---|---|-----------------|

15

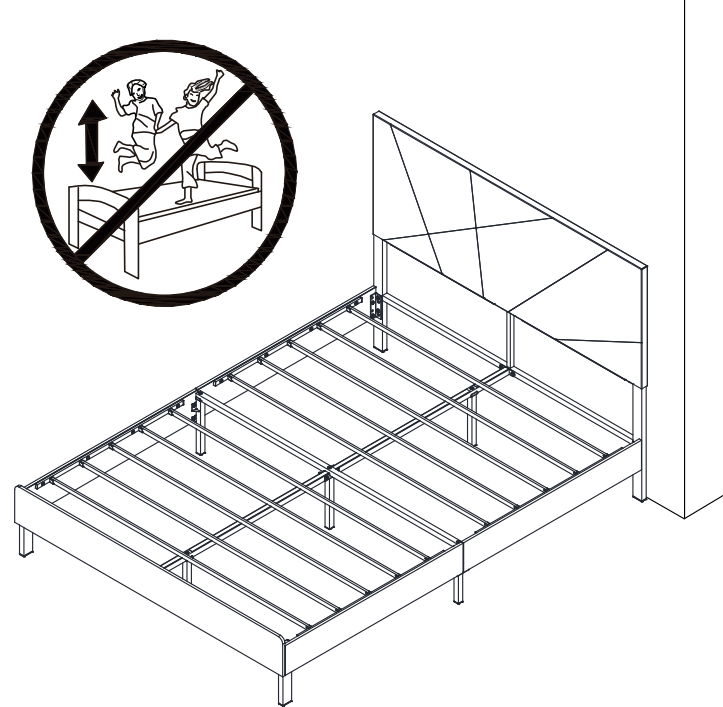


| | | |
|---|---|------|
| D |  | 2pcs |
| F |  | 1pc |

16



17



Finish