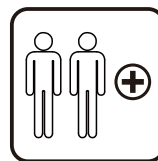
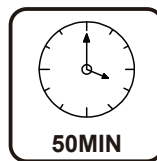
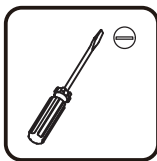
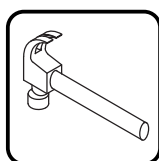
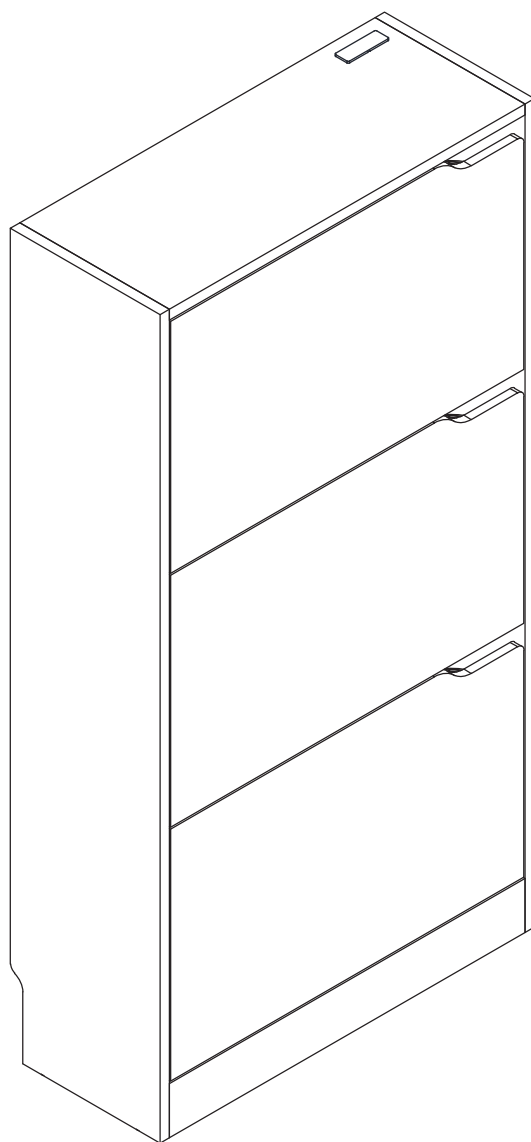


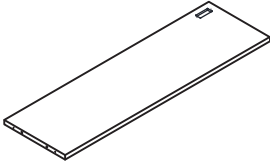
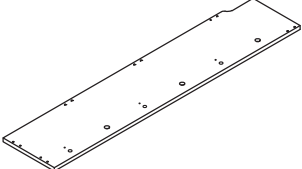
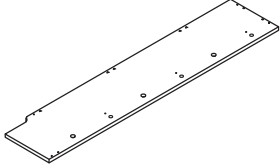
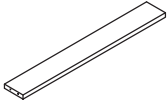
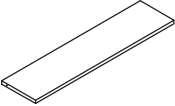
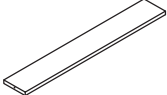
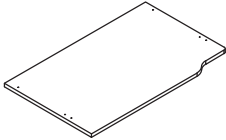
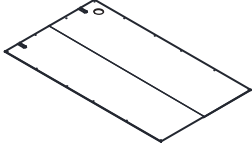

Installation & Assembly

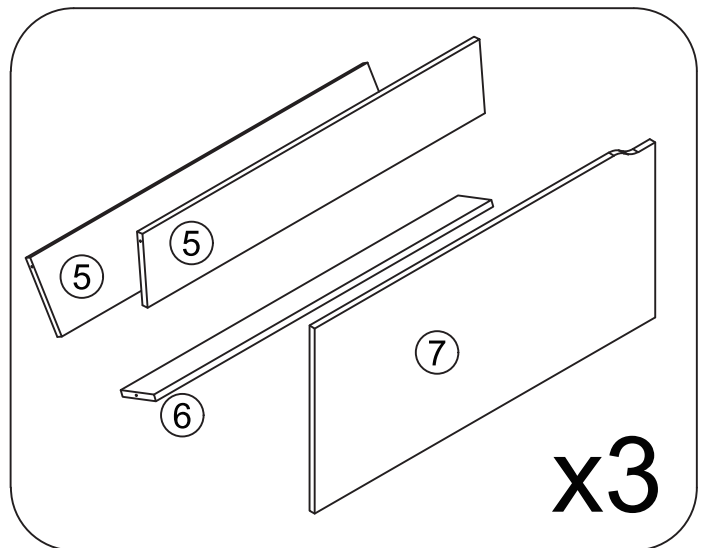
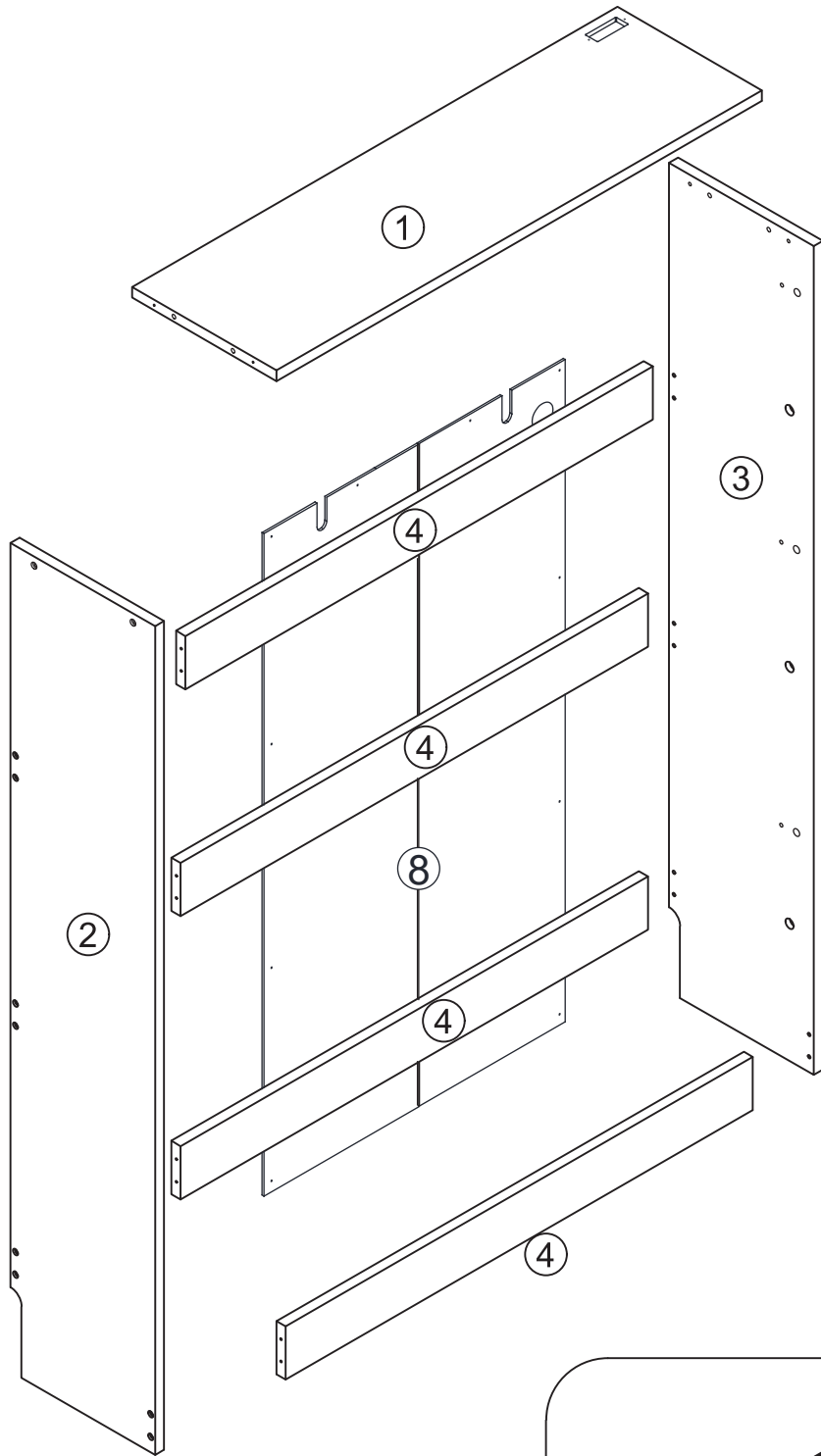
Version: 1.3

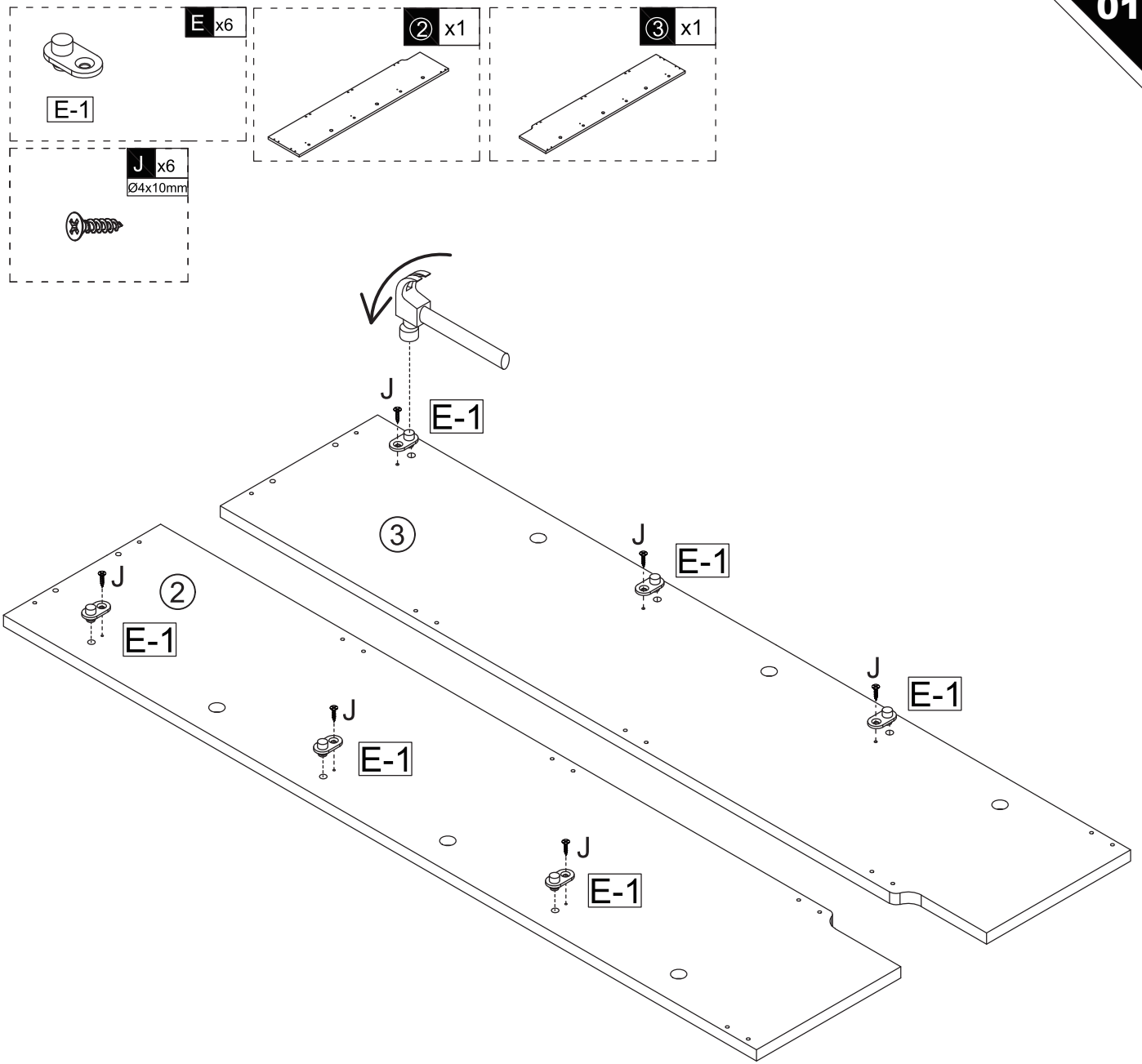
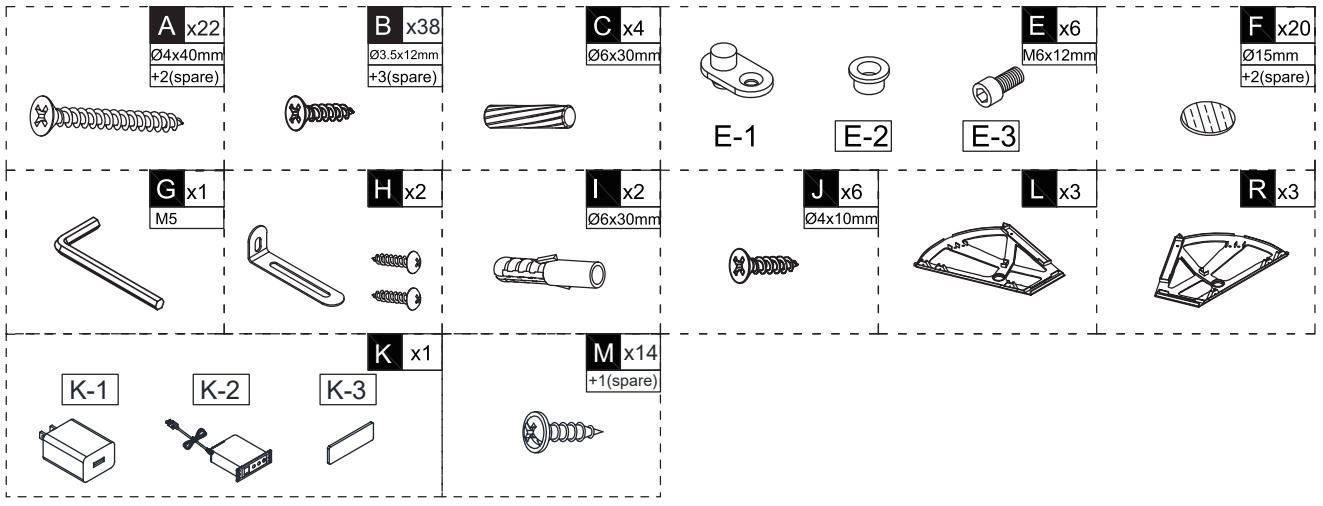


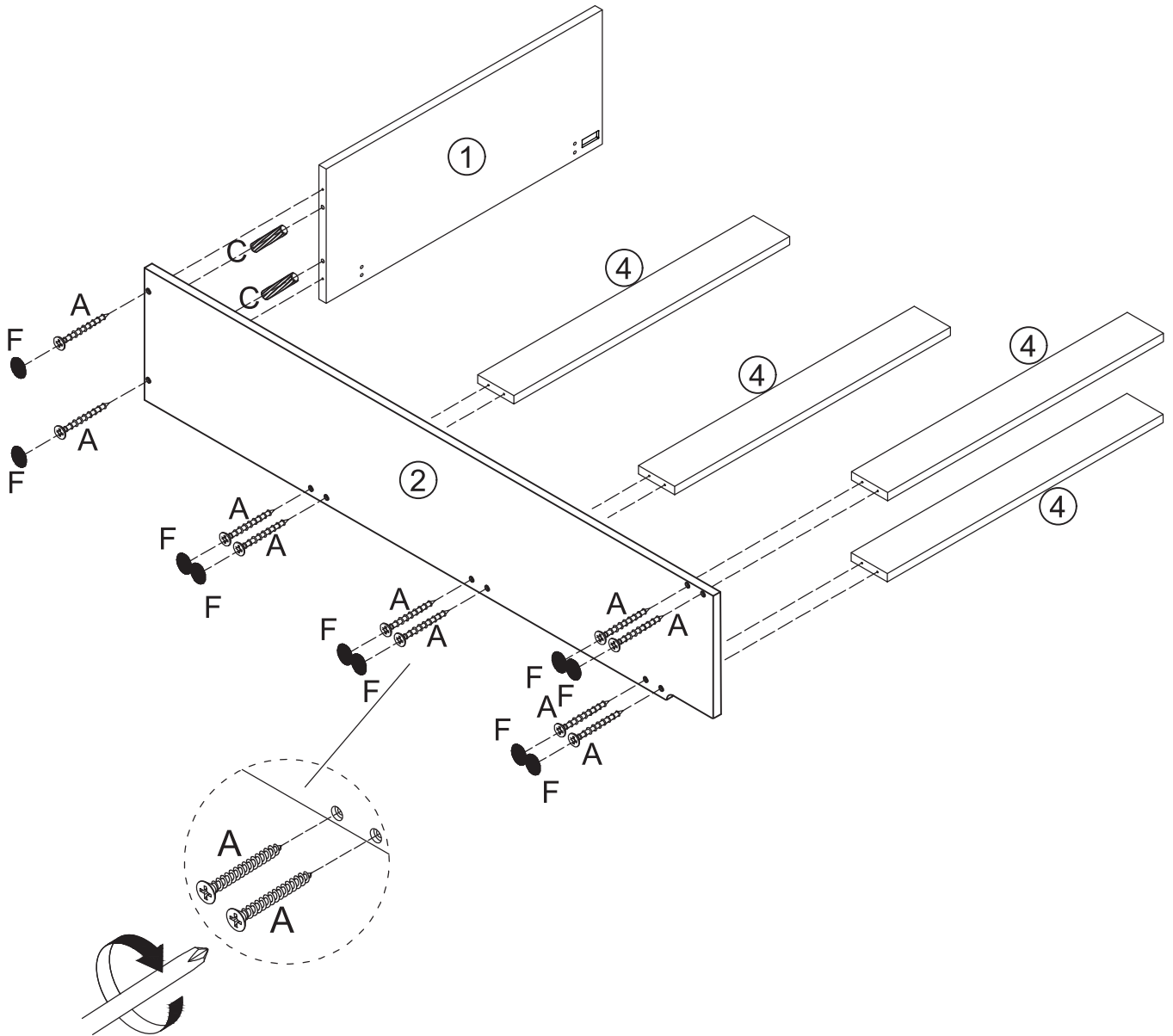
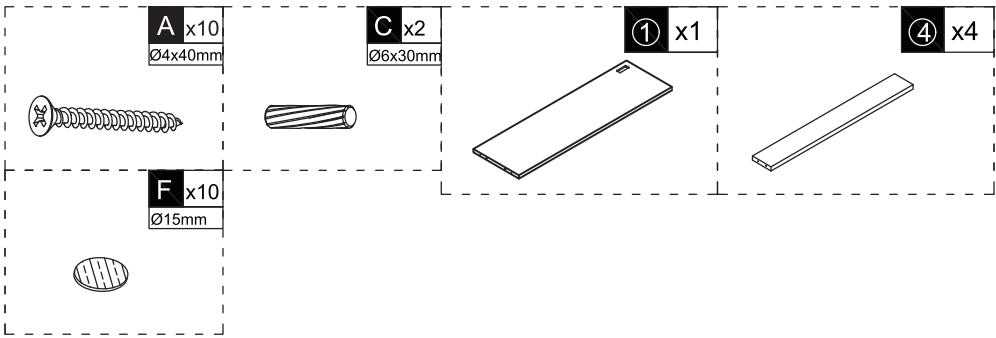
EN_IMPORTANT, RETAIN FOR FUTURE REFERENCE: READ CAREFULLY.

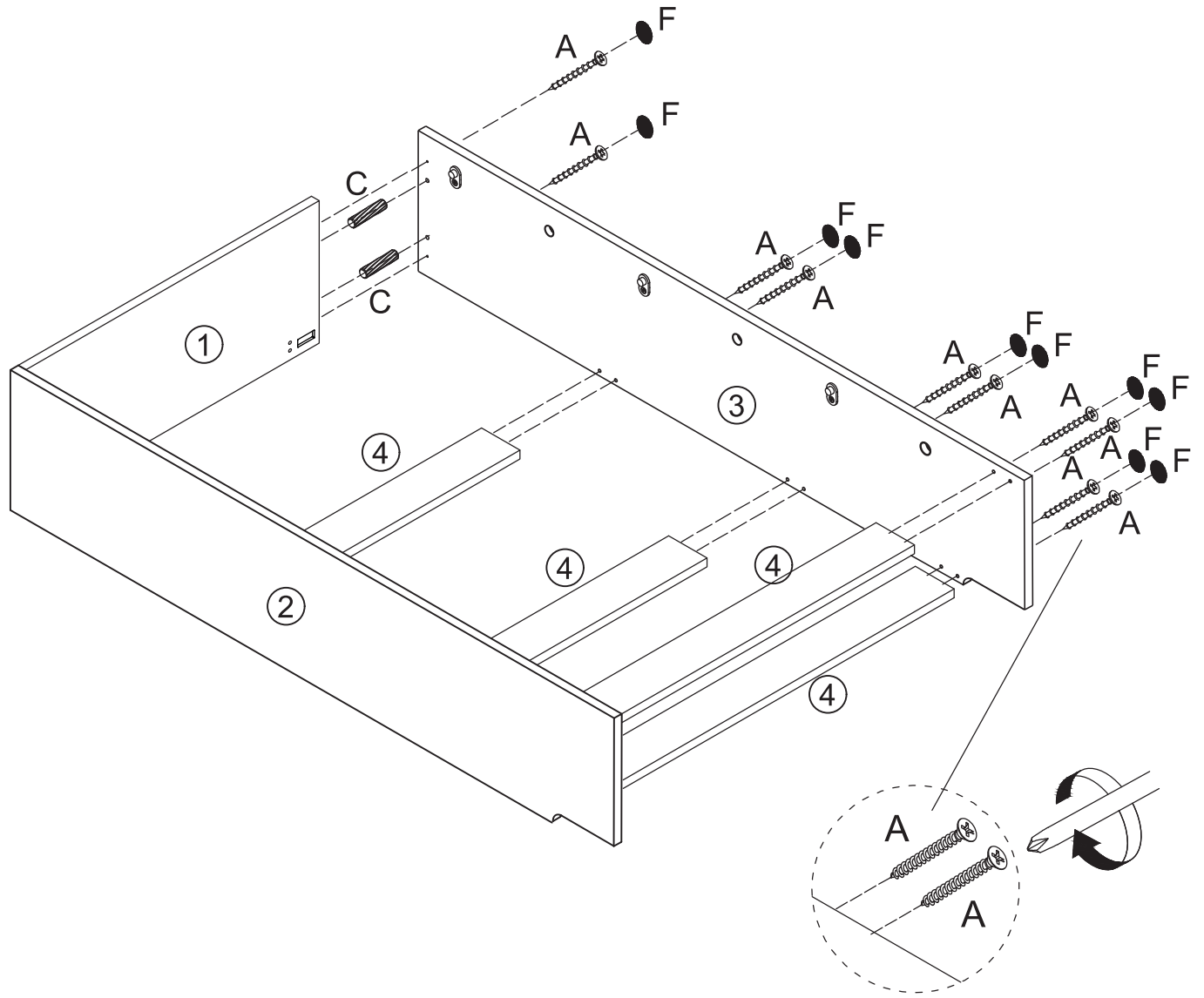
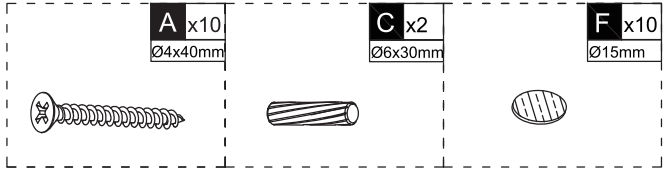
PACKING DETAILS

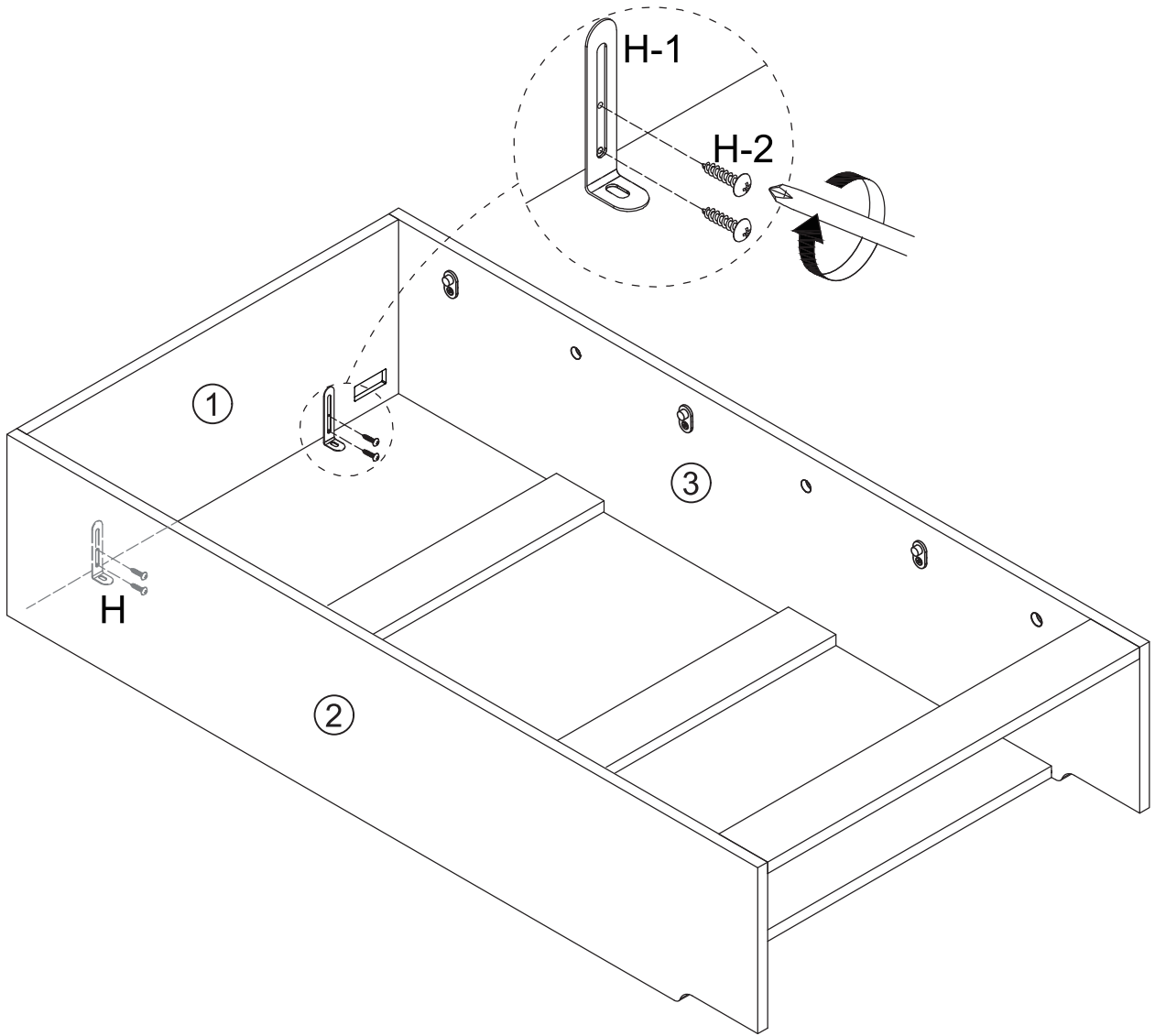
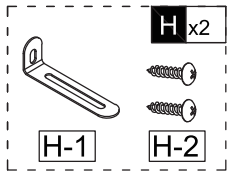
NO.	PARTS	QTY	SPARE
①		x1	
②		x1	
③		x1	
④		x4	
⑤		x6	
⑥		x3	
⑦		x3	
⑧		x1	
	 Hardware Kit	x1	



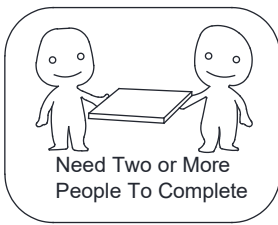
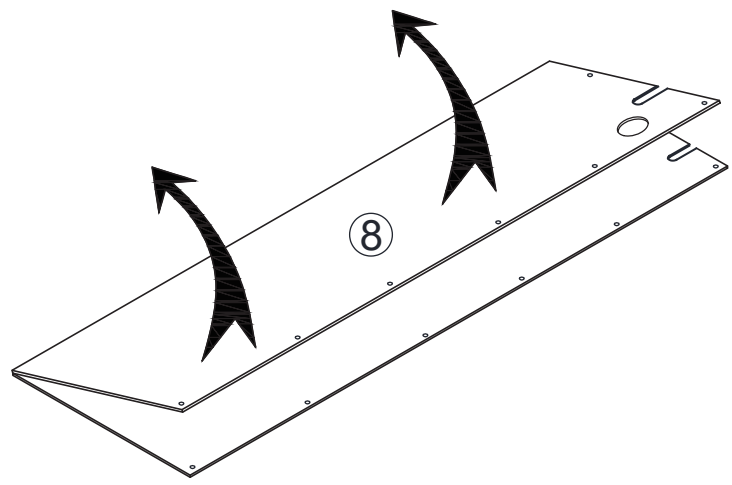




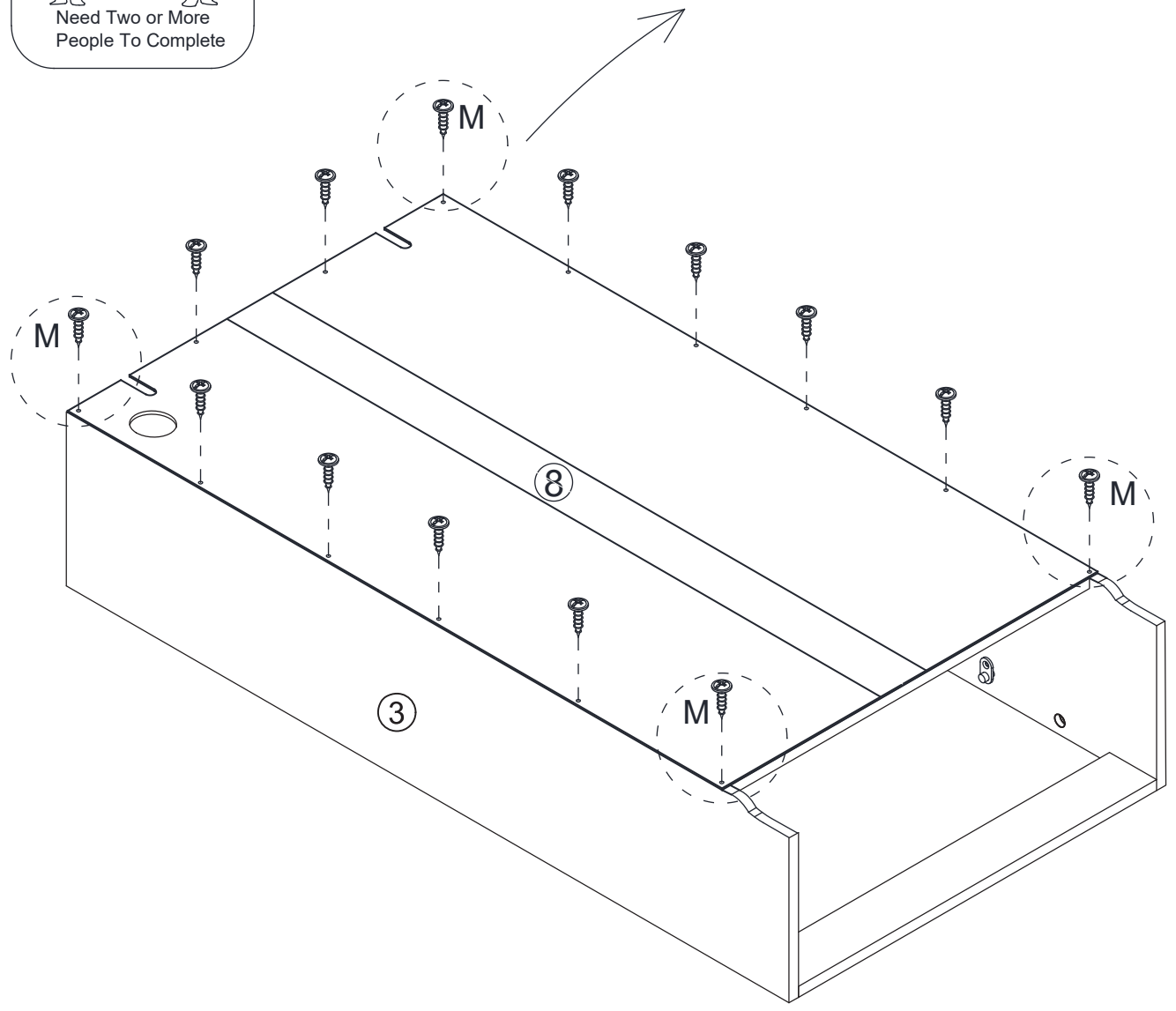




M x14



When the diagonals are equal, please first install the screws at the marked positions to fix the backboard, and then proceed to install the remaining screws. Otherwise, installation may cause the backboard to tilt.



B x2
Ø3.5x12mm



M-2



M-3



K x1

K-3



B



K-2



K-3



B



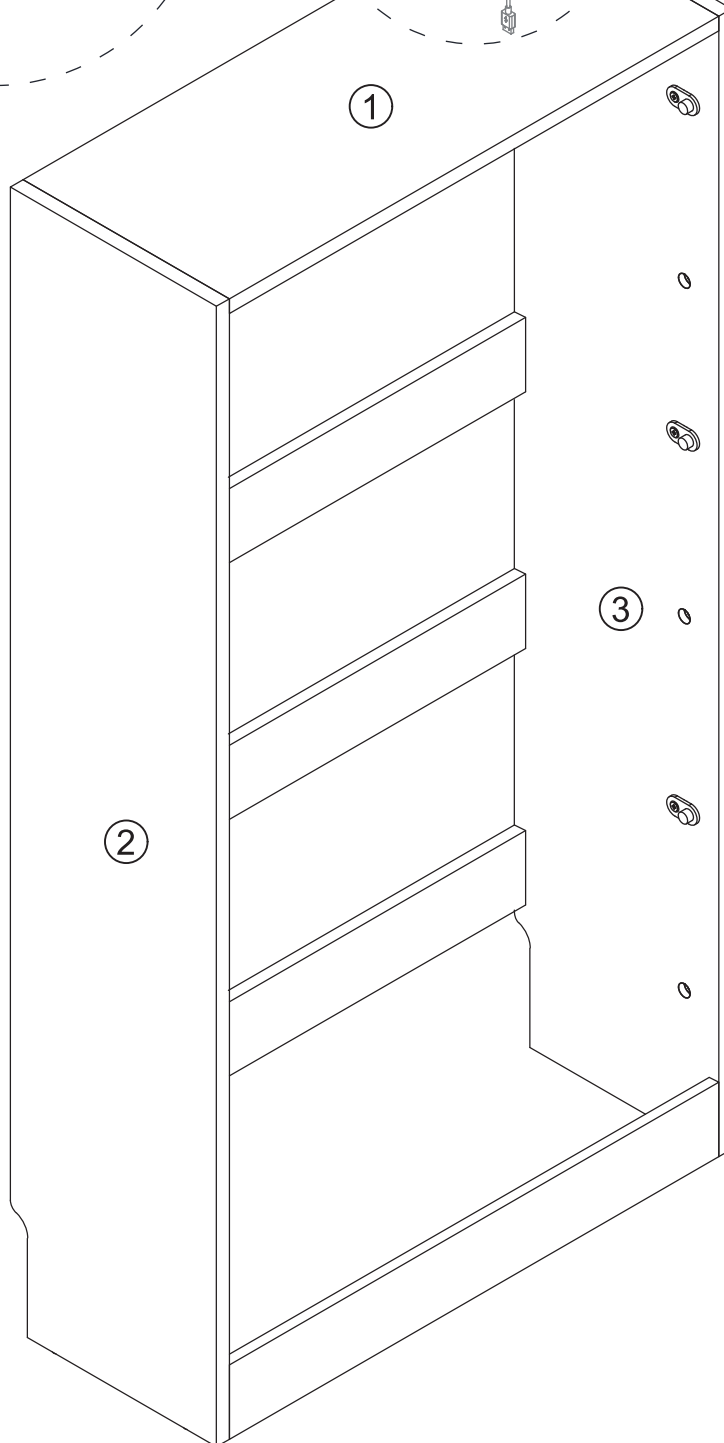
K-2



1

2

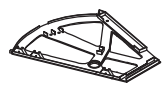
3



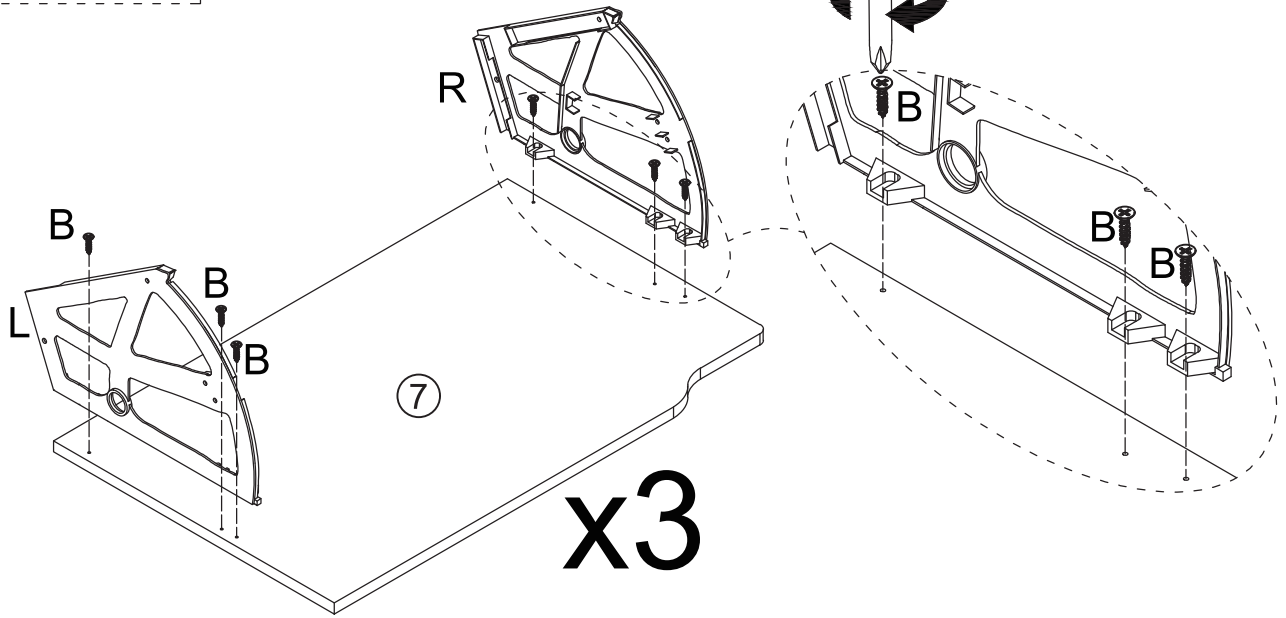
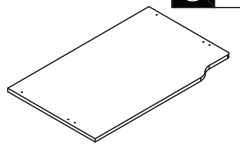
B x18
Ø3.5x12mm

L x3

R x3

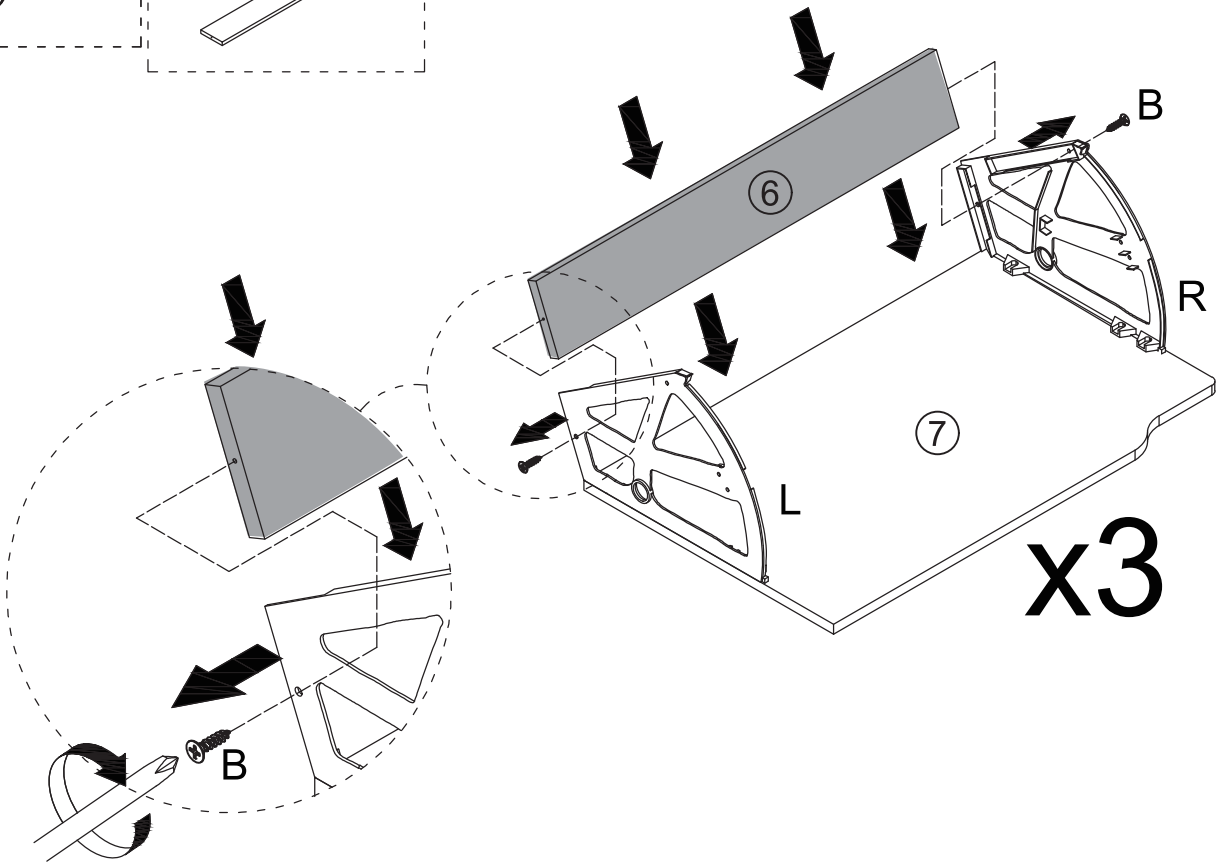
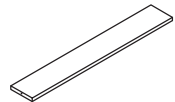


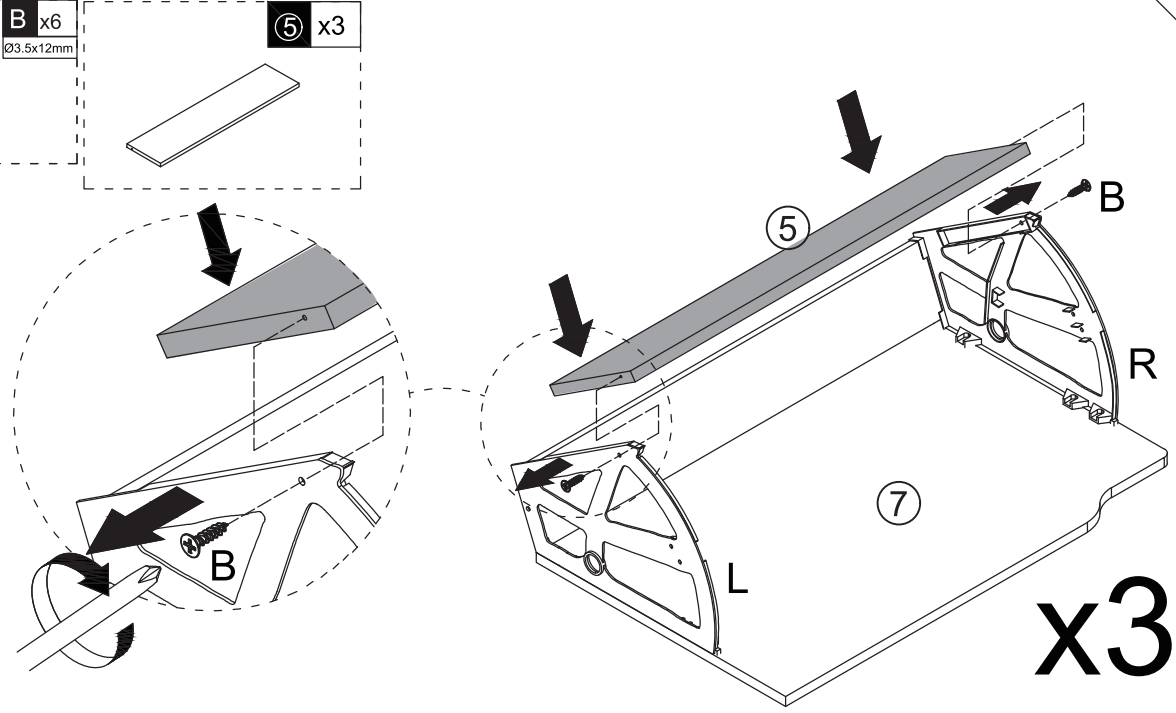
⑦ x3



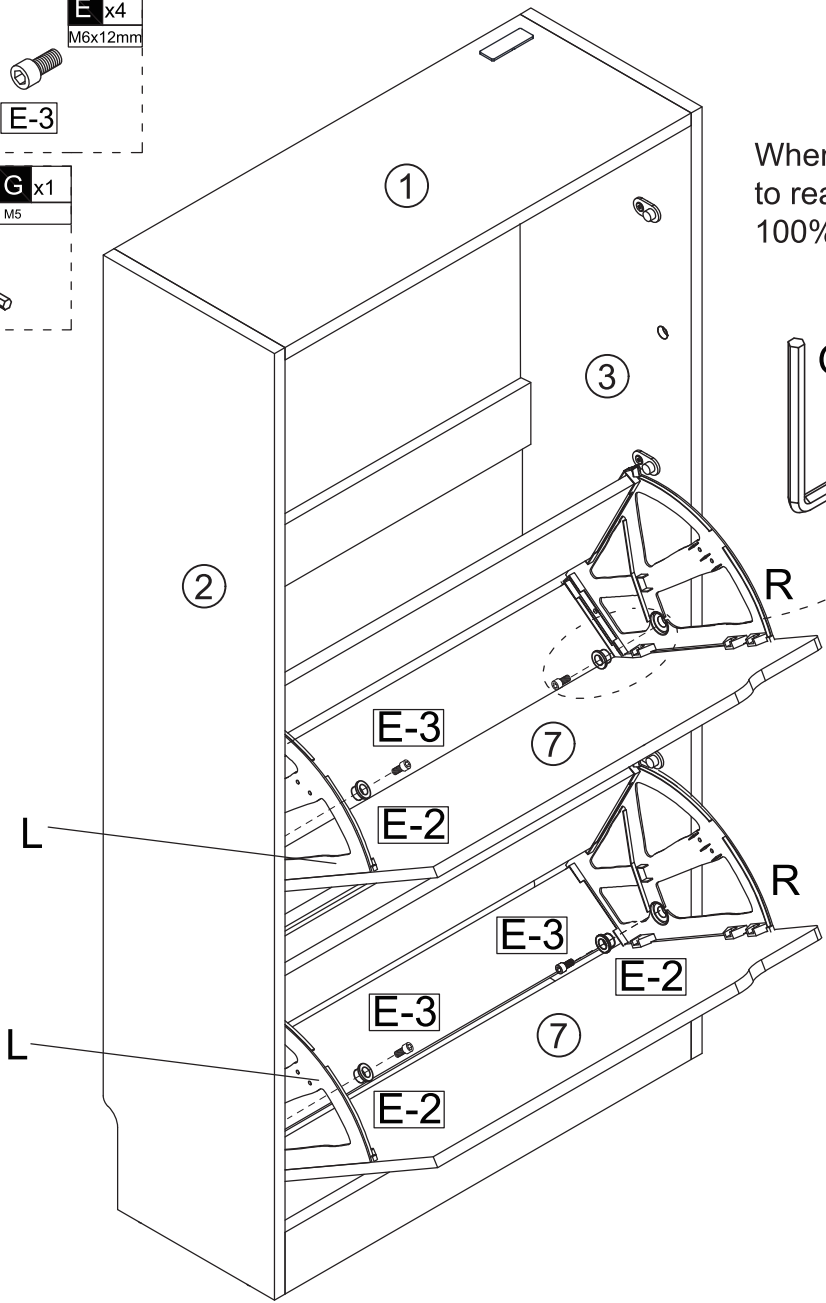
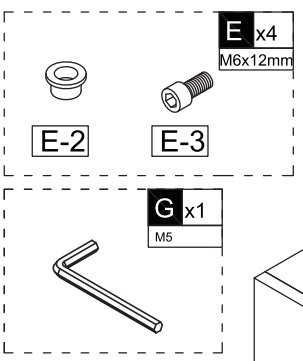
B x6
Ø3.5x12mm

⑥ x3

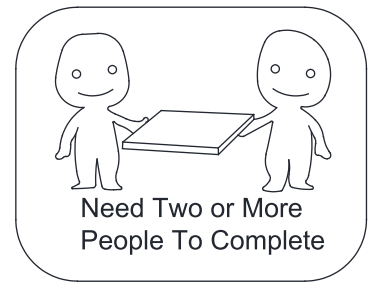
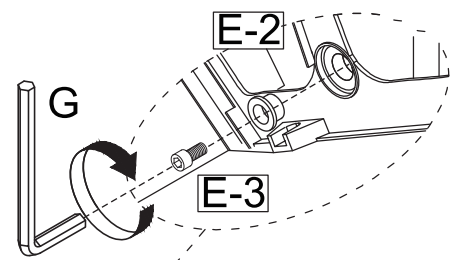




x3

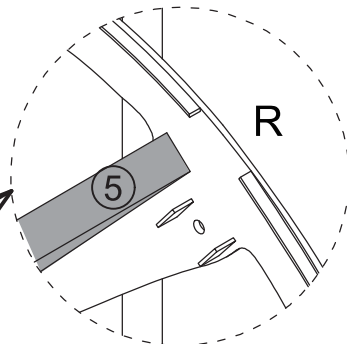
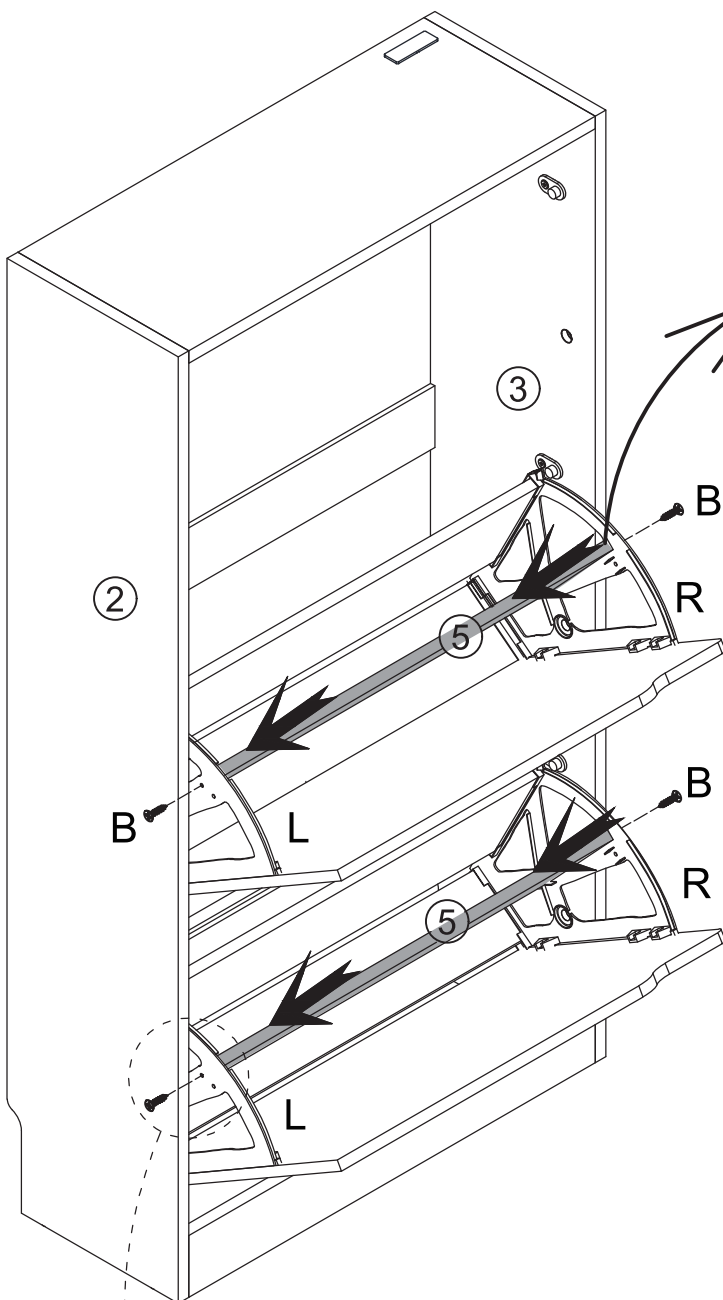
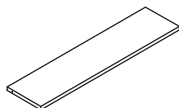


When installing E-3, it is sufficient to reach 90% progress. Installing 100% may cause damage to E-2.

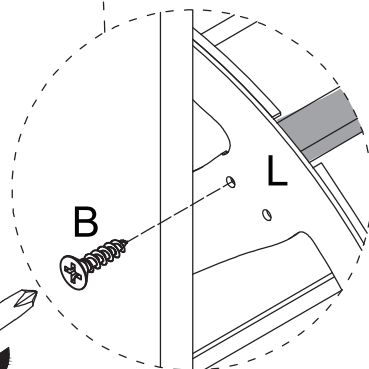
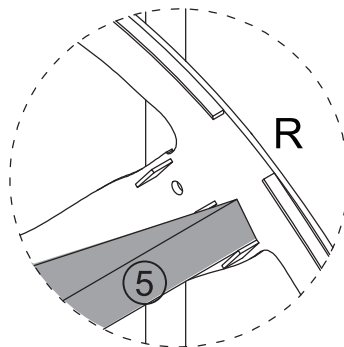


B x4
Ø3.5x12mm

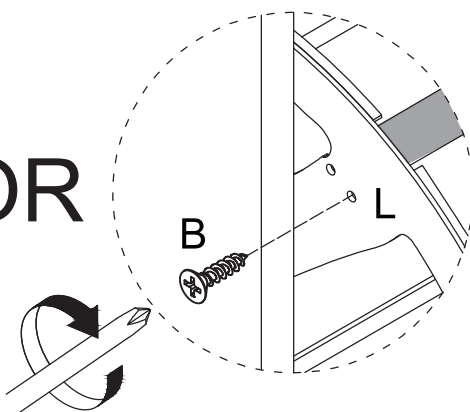
5 x2



OR



OR

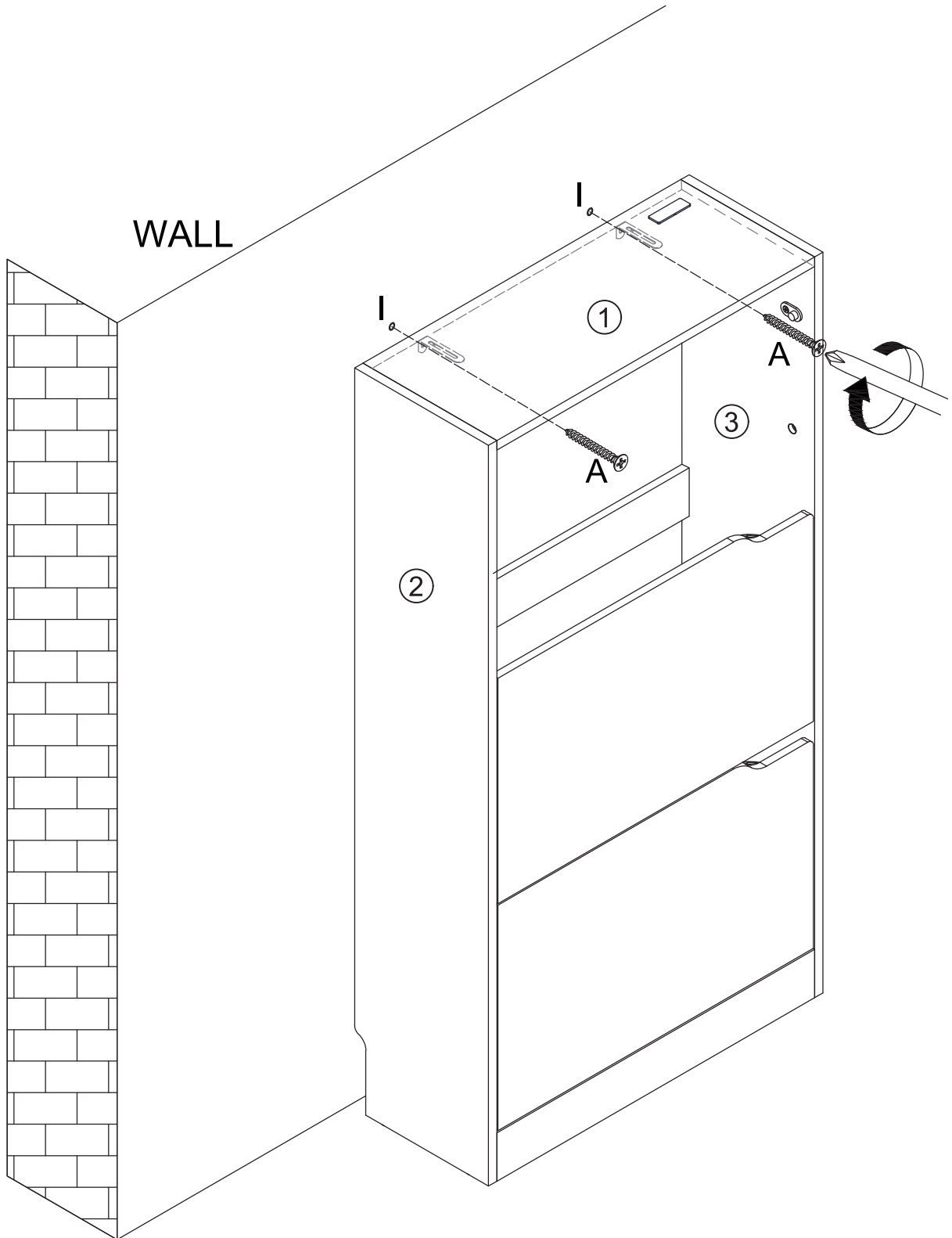


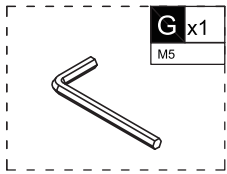
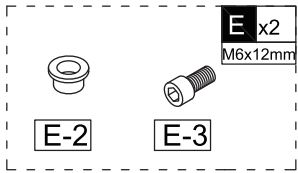
A x2
Ø4x40mm

I x2
Ø6x30mm

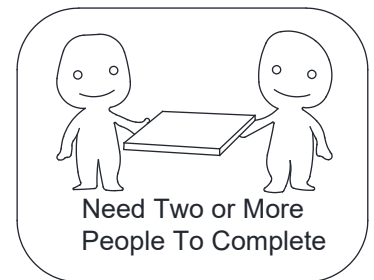
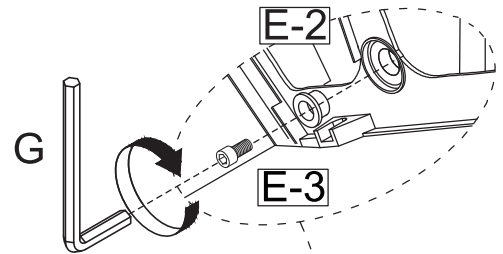
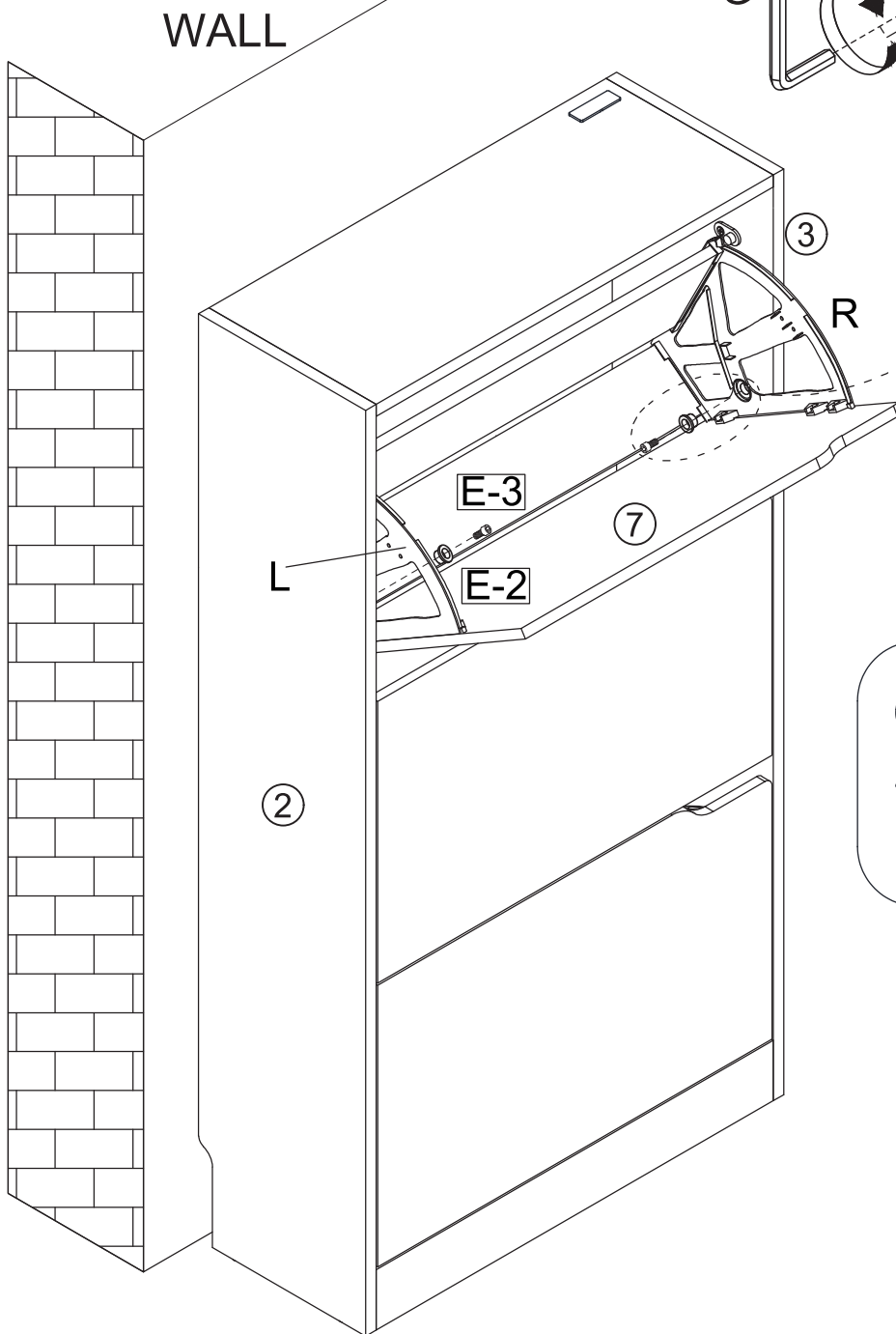


<p>WALL</p> <p>I x2</p>	<p>WALL</p> <p>drilling hole Ø6x30mm</p> <p>II x2</p>	<p>WALL</p> <p>III x2</p>
---------------------------------------	---	---



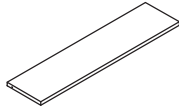


When installing E-3, it is sufficient to reach 90% progress. Installing 100% may cause damage to E-2.

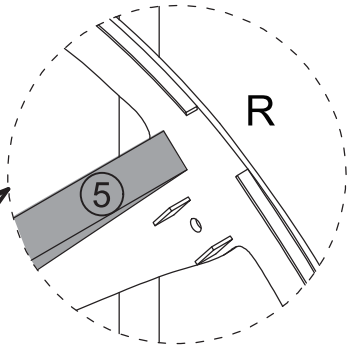
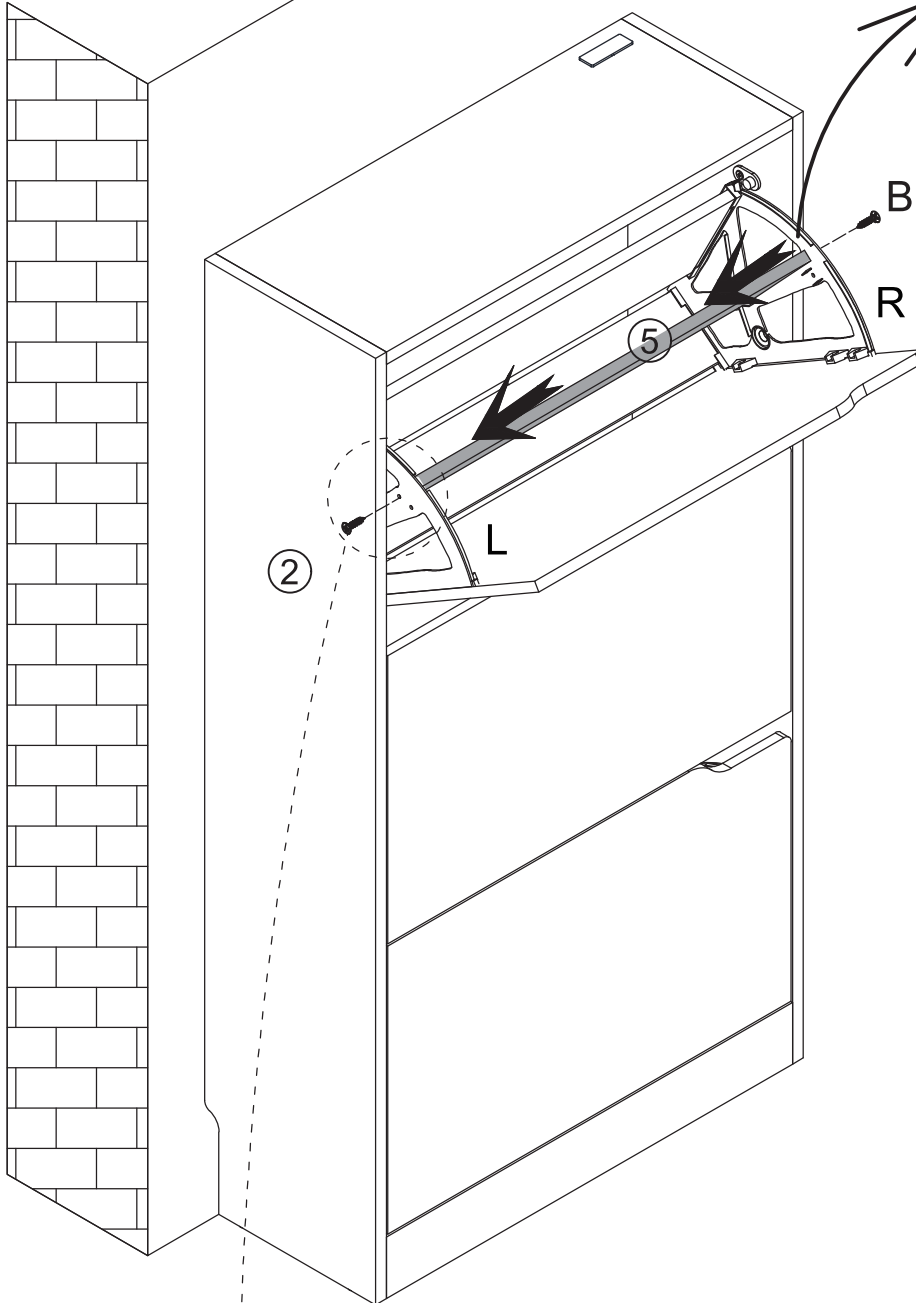


B x2
Ø3.5x12mm

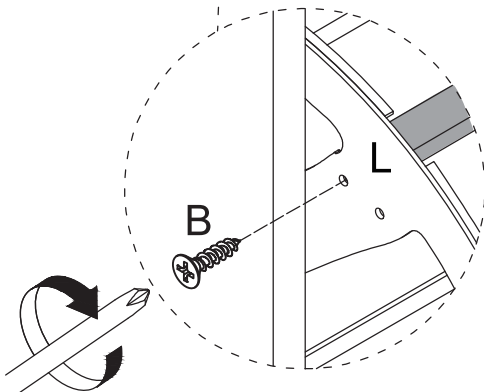
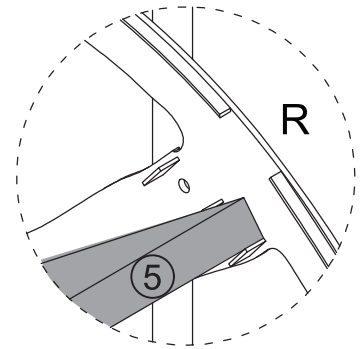
5 x1



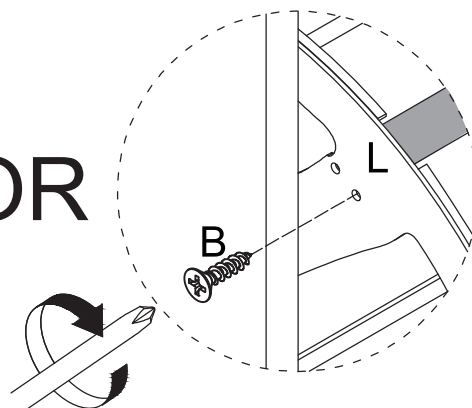
WALL



OR



OR



K x1

K-1



WALL

Power supply

