










Assembly Instructions

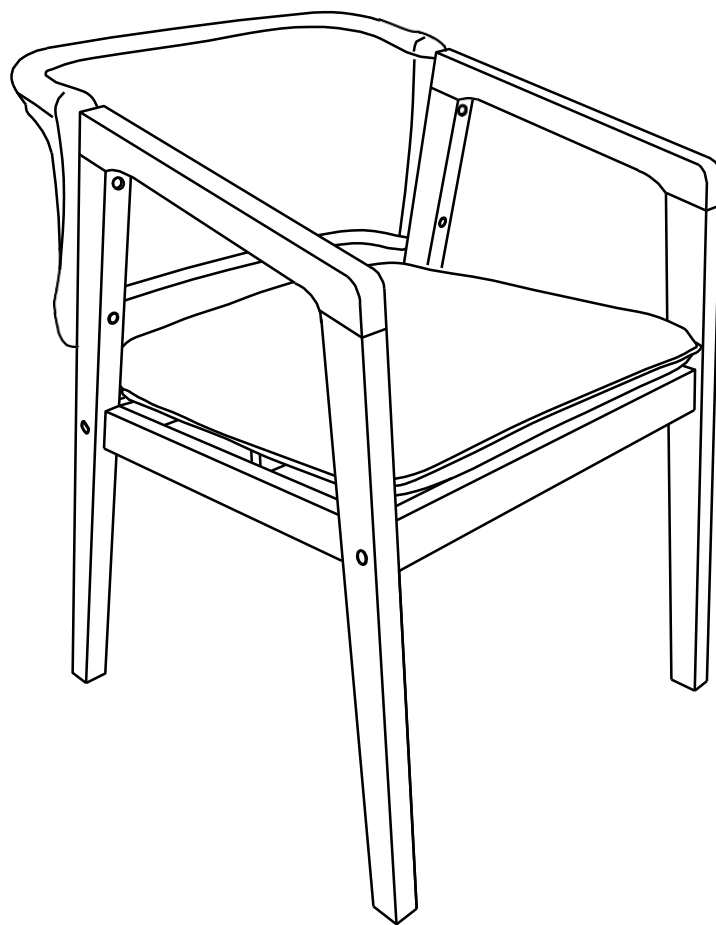
Caution: You must read this before you proceed

Care & Maintenance

- ⊘  • Not for commercial use. For residential use only.
 - ⊘  • Do not put hot items directly on furniture surface.
 - ⊘  • Do not clean furniture with harsh cleansers or polish.
 - ✓  • To obtain the longest lifespan of your outdoor products, minimizing exposure to direct sunlight is recommended.
 - ⊘  • Children should not climb or jump on the furniture.
 - ⊘  • Do not write on furniture without a padded barrier to protect the surface.
 - ✓  • To obtain the longest lifespan of your outdoor products, avoid extended and lengthy exposure to rain, snow, and direct sunshine. Whenever possible cover the product and /or place under patio or awnings.
 - ⊘  • Stains may be removed with mild soap solution and damp cloth.
 - ✓  • Keep away from sources of ignition.
- Dust and pick-up spills using a clean, non-colored, lint- free cloth.

Please look in the leg panel for hardware packs.

CHAIR

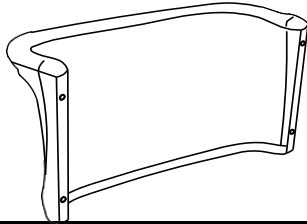
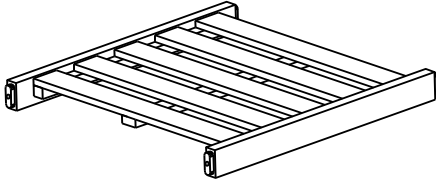
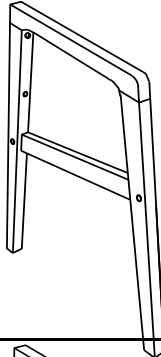
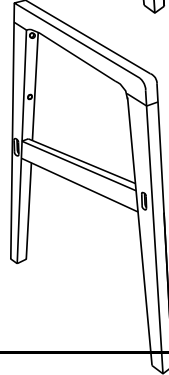
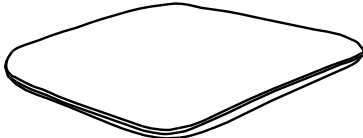


CAUTION : This Chair is NOT a TOY.




Keep your child / children at bay in the process of assembly.

For turning the Chair and to prevent damage to the Chair, two adults may be needed to execute this action.

Parts List

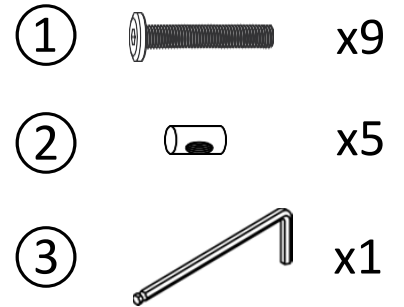
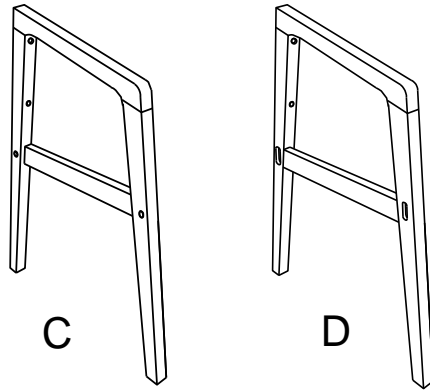
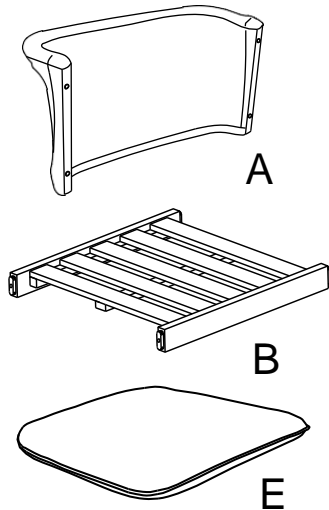
Label	Picture	Description	QTY
A		Backrest Panel	1
B		Seat Panel	1
C		First Leg Panel	1
D		Second Leg Panel	1
E		Seat Cushion	1

Hardware

Label	Picture	Description	QTY
①		Blot (M6x65mm)	9
②		Nut 6x13mm	5
③		Allen Wrench	1

Assembly Preparation

Before Beginning Assembly:



• Read instructions, cover to cover-



• Have 2 adults on hand for assembly-



• Do not assemble on flooring or carpet-



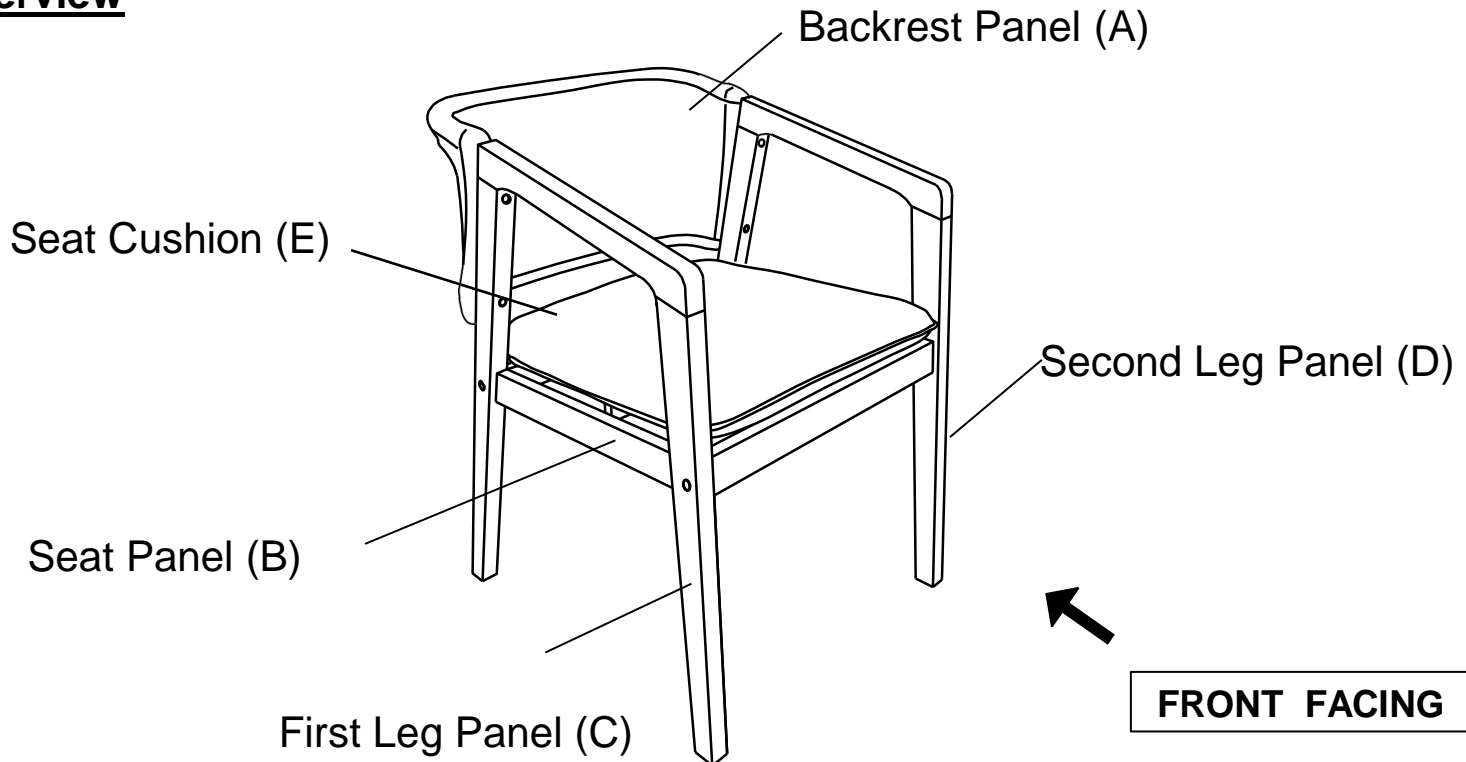
• Assemble on a clean non-marring surface (packing foam)-



• Save all packaging until finished-

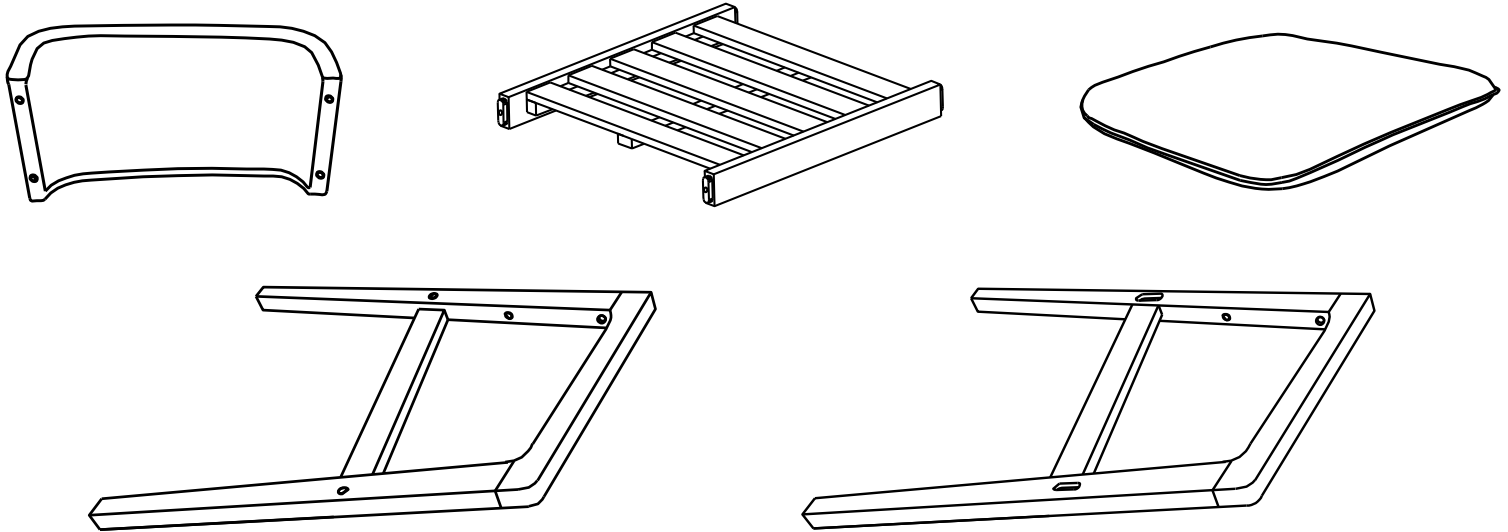
Assembly Steps

Overview



This Chair has multiple parts and may require up to 30 minutes to assemble. To give you an overview of the Chair parts, the above picture is to help you put the various parts into perspective. Please read through the instructions below to familiarise yourself with the parts and steps before assembly.

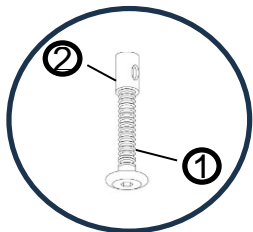
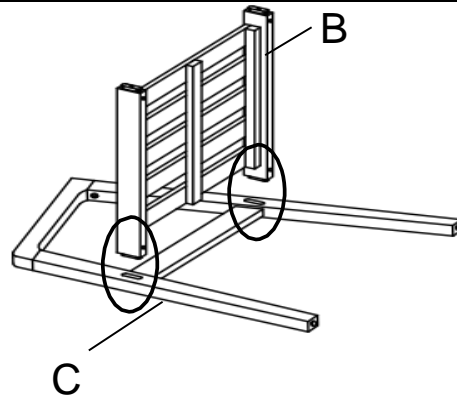
Step 1:



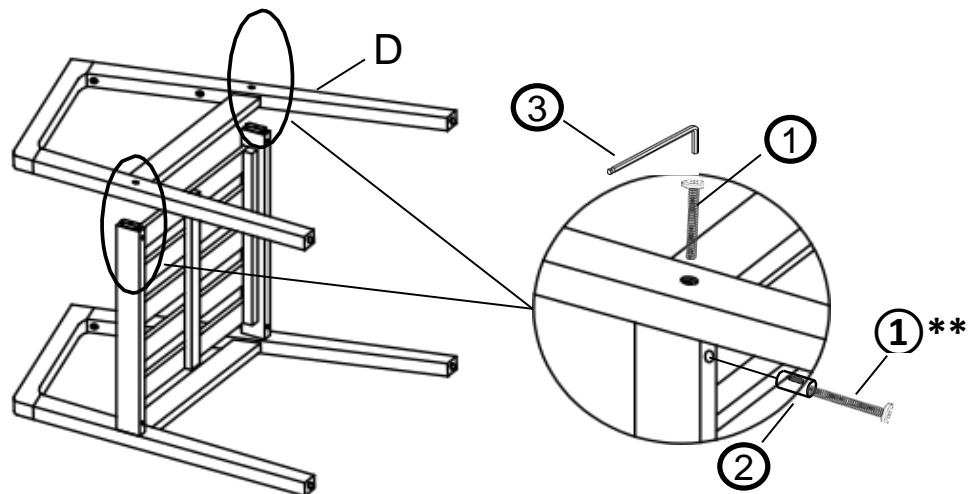
Unpack and place all parts on a clean, non-marring surface.

Step 2:

Step 2.1



Step 2.2



Step 2.3

2.1) Position First leg Panel (C) and Seat Panel (B) as above shown picture.

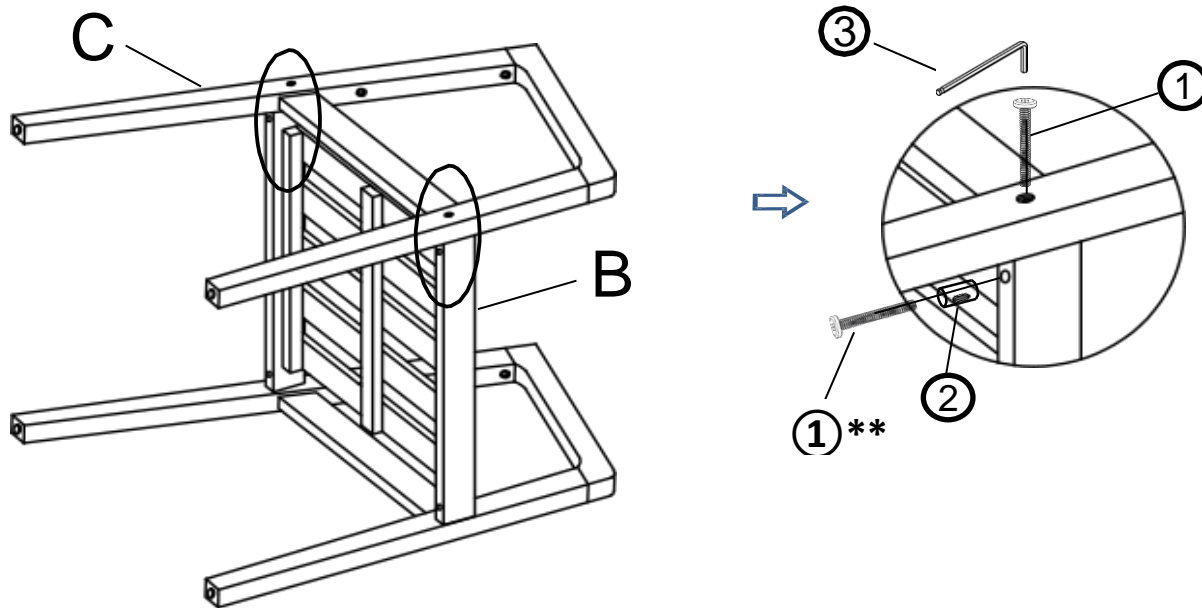
2.2) Insert Bolt (1**) to Nut (2) as shown above.

2.3) With the help of your adult partner, attach Second Leg Panel (D) and Seat Panel (B) using Bolt (1), Nut (2), Allen Wrench (3) and 1 Bolt (1**) as shown above.

Note: Affix the Bolts (1) into the Nut (2) inside the Seat Panel then remove Bolts (1**) from the Nut (2).**

Do not fully tighten the Bolts.

Step 3:

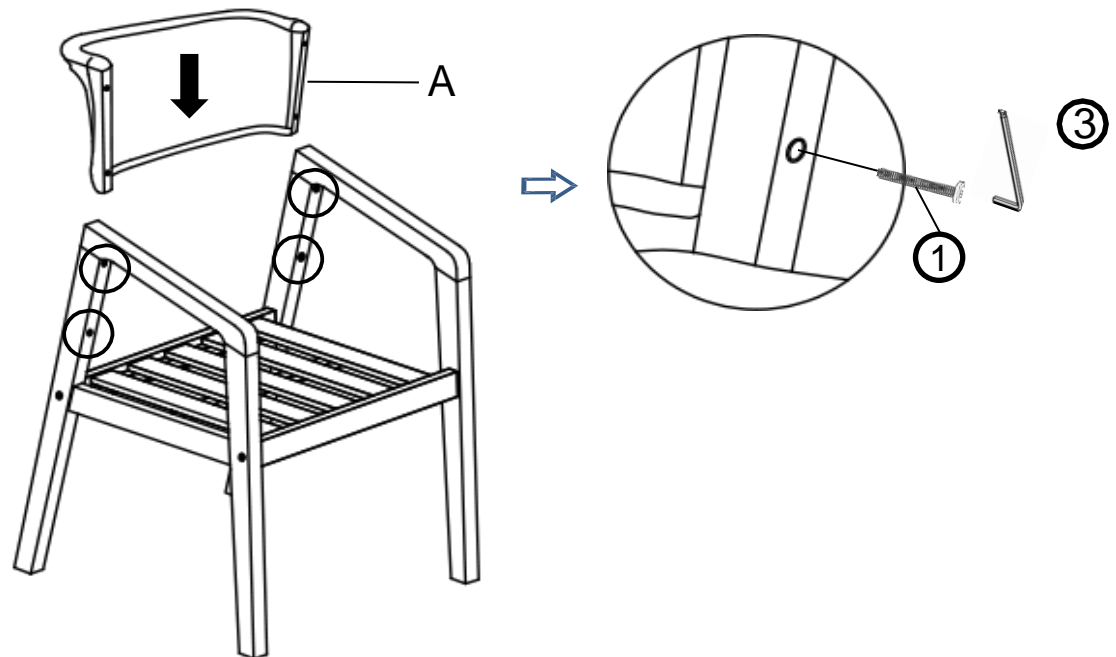


With assistance from an adult partner, turn the Chair Frame over onto the other side. Repeat the same process as step 2.2 and 2.3 to attach First Leg Panel (C) and Seat Panel (B) using Bolt (①), Nut (②), Allen Wrench (③) and 1 Bolt (①**) as shown above.

Note: Affix the Bolts (①) into the Nut (②) inside the Seat Panel then remove Bolts (①**) from the Nut (②).**

Do not fully tighten the Bolts.

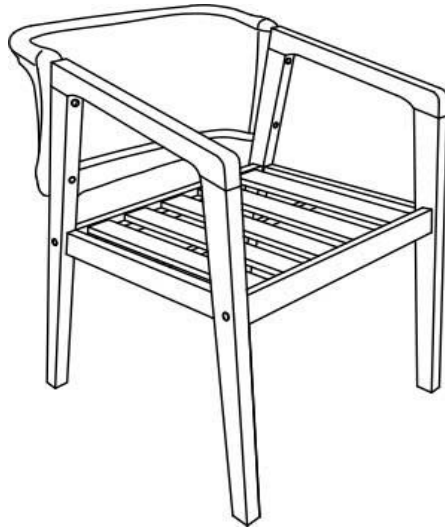
Step 4:



Turn right side up the Chair. To affix the Backrest Panel, align the bolts mounting position of the Backrest Panel (A) to the mounting position of the First Leg Panel (C) and Second Leg Panel (D). Insert the Bolt (①) through the mounting position and affix the Backrest Panel using the Allen Wrench (③), as shown as above picture.

Fully tighten the Bolts.

Step 5:



Inspect it and make sure all parts are adequately connected.

Gently and gracefully, sit onto the Chair.

This will help to align all the parts at all joint areas.

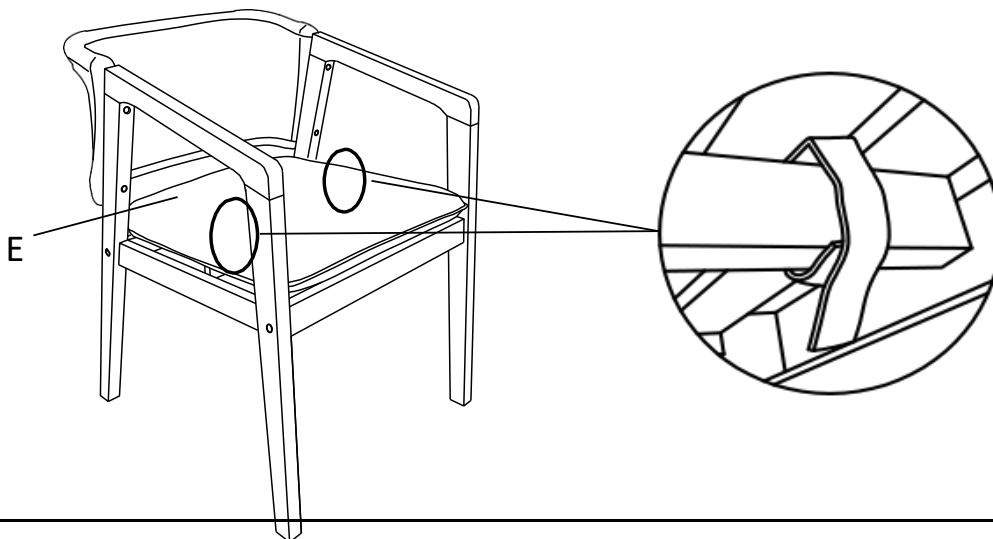
Then get off the Chair and proceed to tighten the Bolts and Screws in a sequential manner.

When tightening the Bolts, Screws tighten sequentially.

DO NOT tighten any Bolts, Screws fully and then move on towards the next one.

If there are still wobbles, loosen the Bolts, Screws and execute this same process.

Step 6



Place Seat Cushion (E) on to the seat of the Chair using the magic straps as shown above.
Your Chair is ready to use.

This Chair can only be used on a flat, level surface