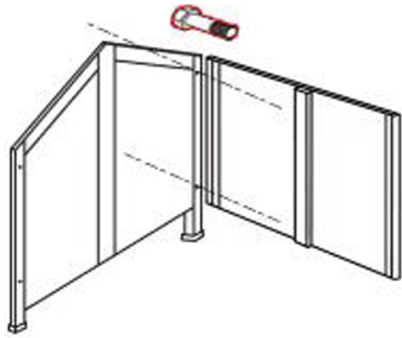
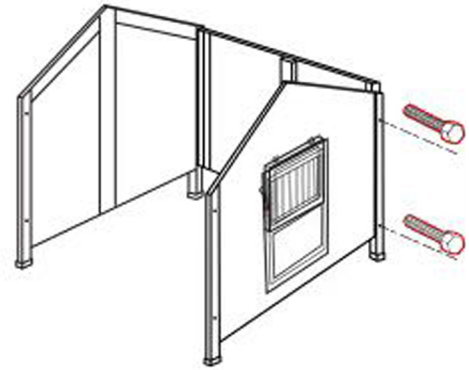


Dog House Installation Manual



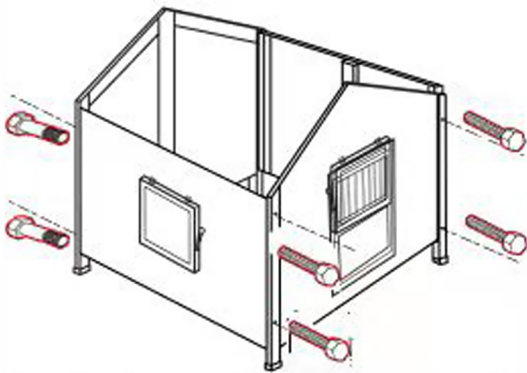
Step 1:

Thread the side panel and rear panel with bolts.



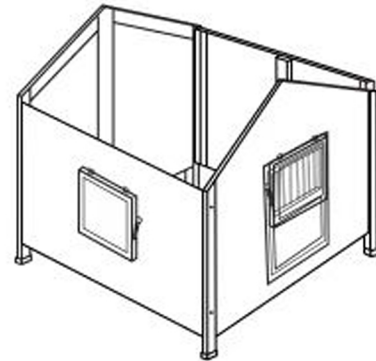
Step 2:

Thread the front panel (with door) and side panel with bolts.



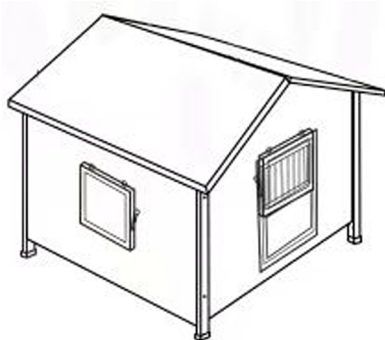
step 3:

Thread the other side panel and front and rear panels with bolts.



step 4:

Use the included wrench to tighten all threaded bolts and nuts.



step 5:

Cover two roofs in sequence (pay attention to the blocking blocks on the inner surface of the roof to clamp the front and rear panel pillars. **If the roof is uneven and there is a protrusion on one side, gently kick the column below the corresponding protrusion position with your foot until the roof is aligned.**)

Then screw the self tapping screws (4cm) into the top of the front and rear panels from the corresponding holes on top.

step 6:

Lay the floor on the wooden strips on both sides and push it in.

