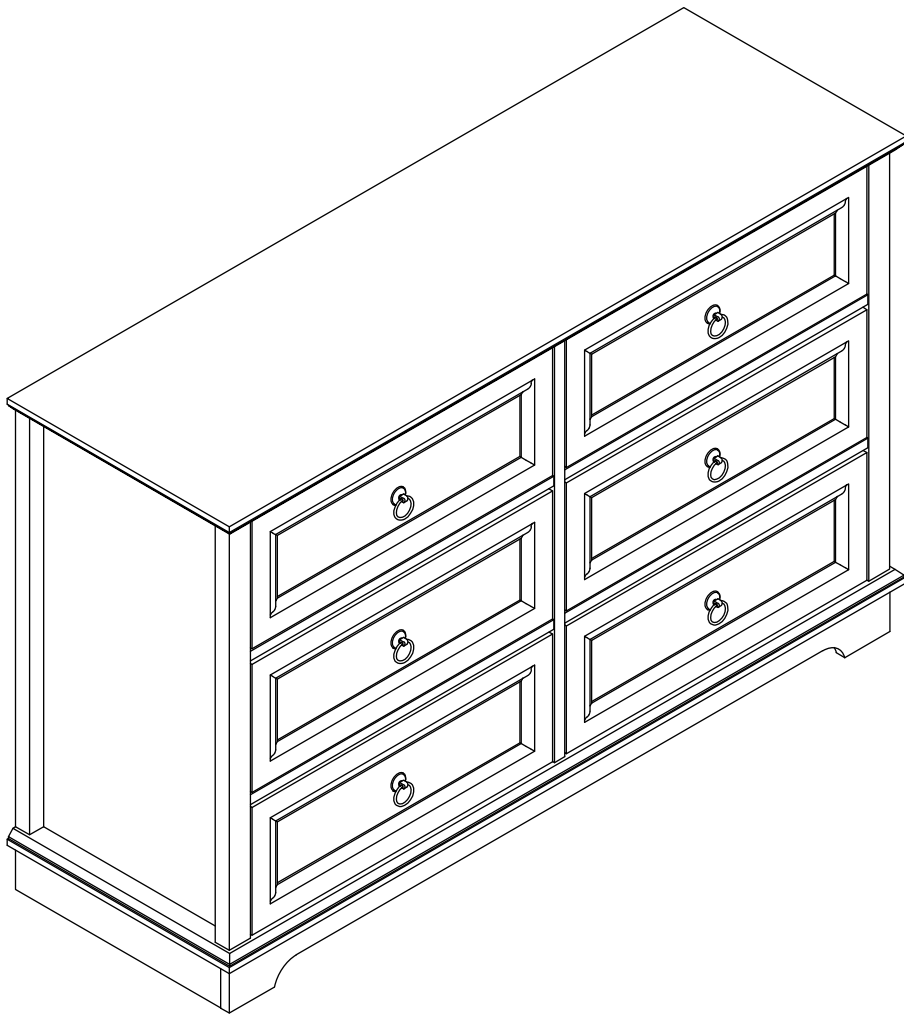


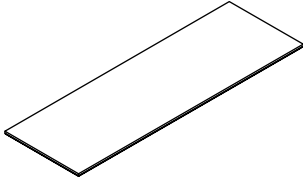
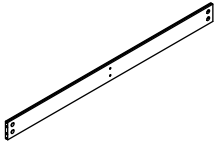
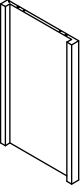

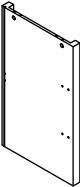
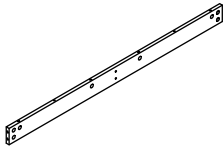

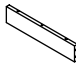
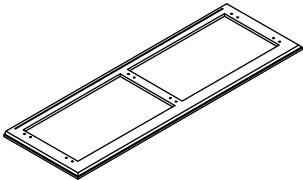
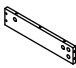
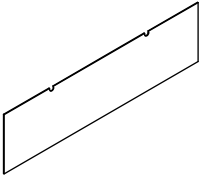
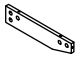
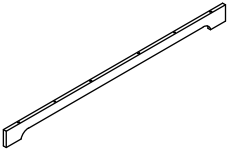
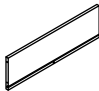

ASSEMBLY INSTRUCTIONS

Storage Cabinet



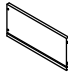

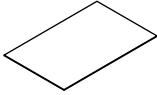

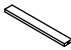

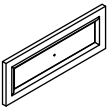

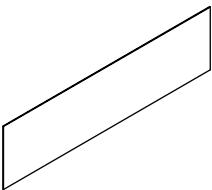





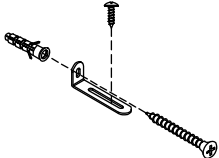

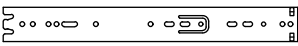
Notice:

1. Follow the installation instructions. Please confirm all accessories are preset before installation.
2. Do not fully tighten the screws during initial assembly. Fully tighten screws only once all pieces which are correctly assembled.
3. If you encounter any problems during installation, refer to two solutions:

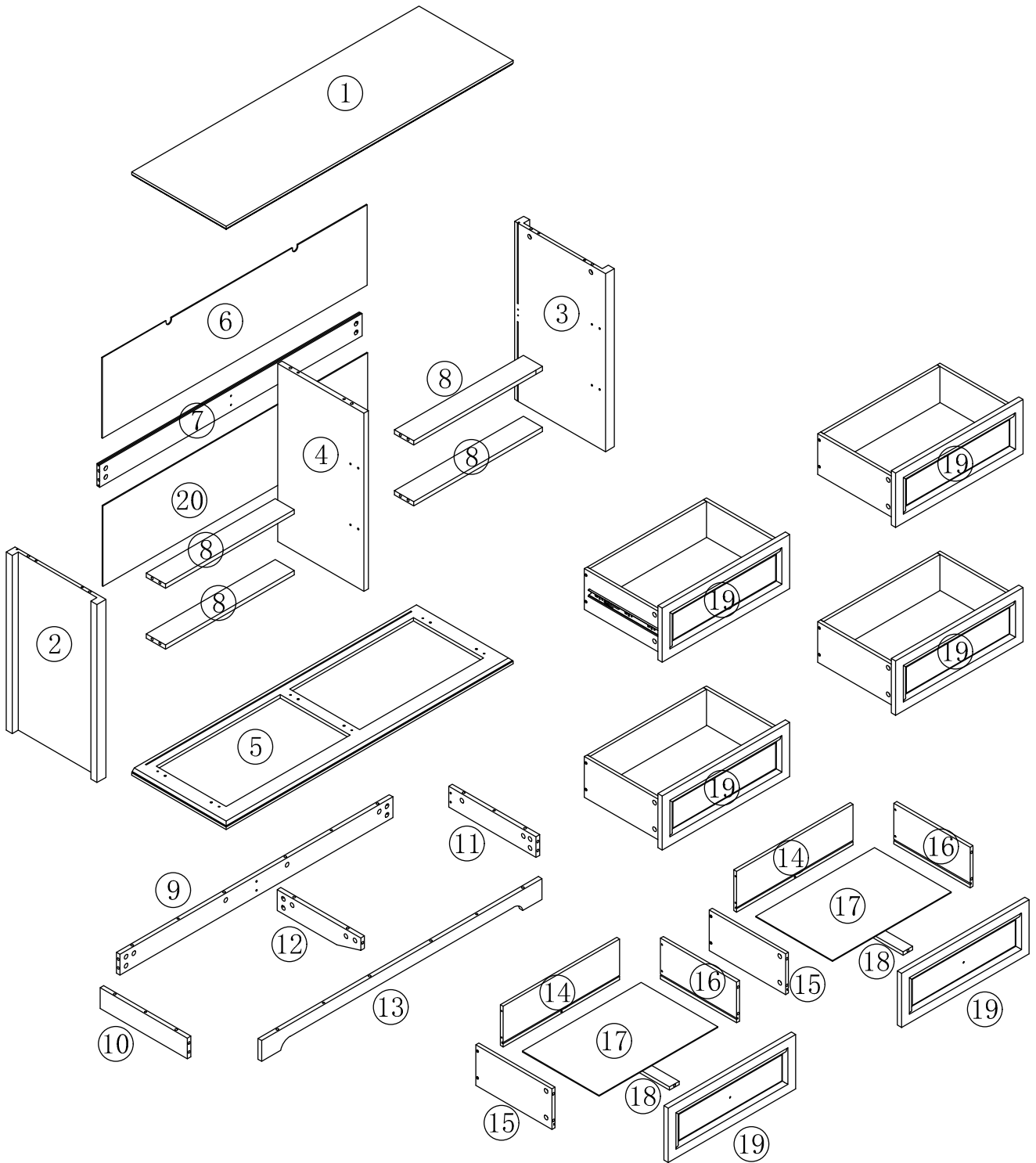
Item no.	Reference Image	Qty	Item no.	Reference Image	Qty
①		X1	⑦		X1
②		X1	⑧		X4
③		X1	⑨		X1
④		X1	⑩		X1
⑤		X1	⑪		X1
⑥		X1	⑫		X1
			⑬		X1
			⑭		X6
			⑮		X6

Notice:

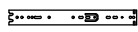
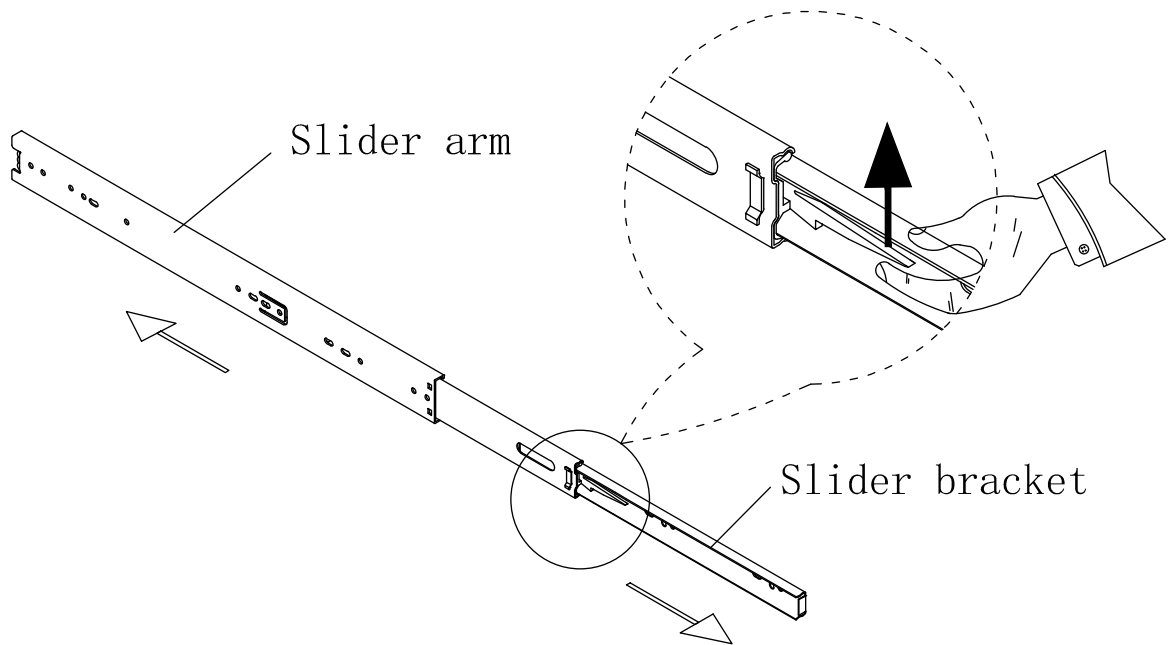
1. Follow the installation instructions. Please confirm all accessories are preset before installation.
2. Do not fully tighten the screws during initial assembly. Fully tighten screws only once all pieces which are correctly assembled.
3. If you encounter any problems during installation, refer to two solutions:

Item no.	Reference Image	Qty	Item no.	Reference Image	Qty
①6		X6	A		X87+1
①7		X6	B		X87+1
①8		X6	C	 Ø6*30mm	X18+1
①9		X6	D	 4*30mm	X26+1
②0		X1	E		X6
			F		X6
			G		X12
			H	 M3*17mm	X12
			I	 4*50mm	X6
			J		X2
			K		X72+1
			L		X12

Explosion Diagram

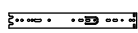
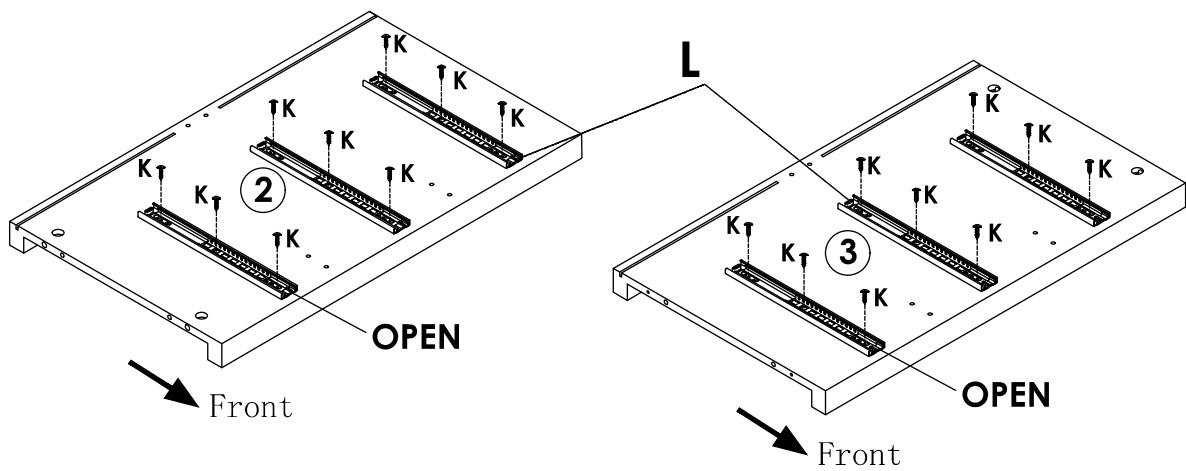
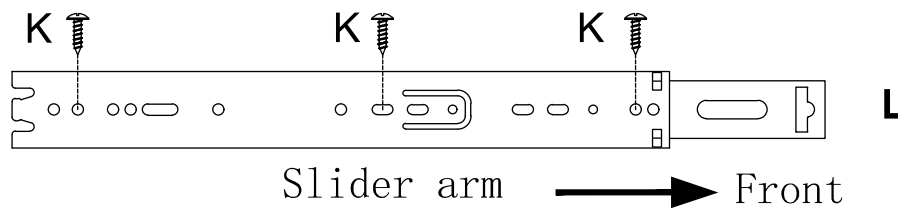


STEP 1



L x 12Sets

STEP 2

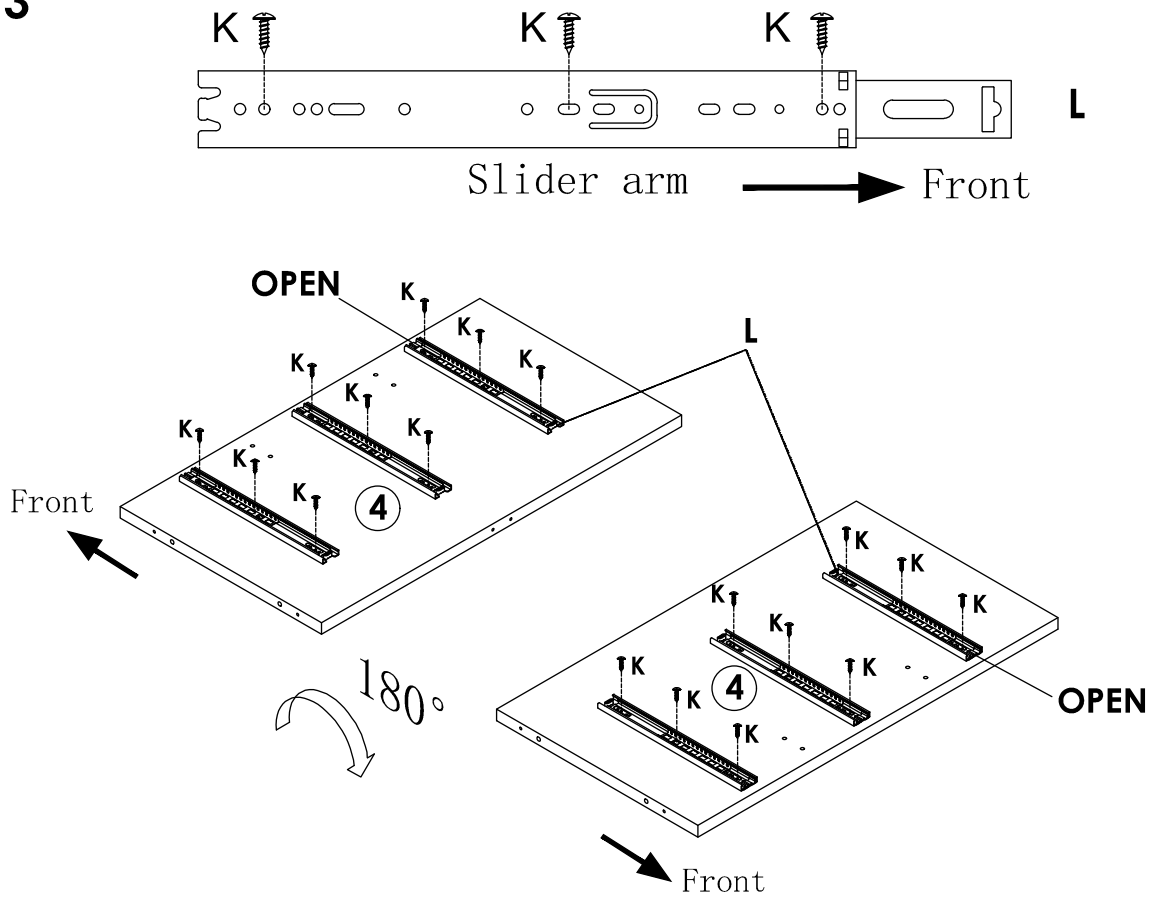


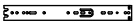

L x 6pcs



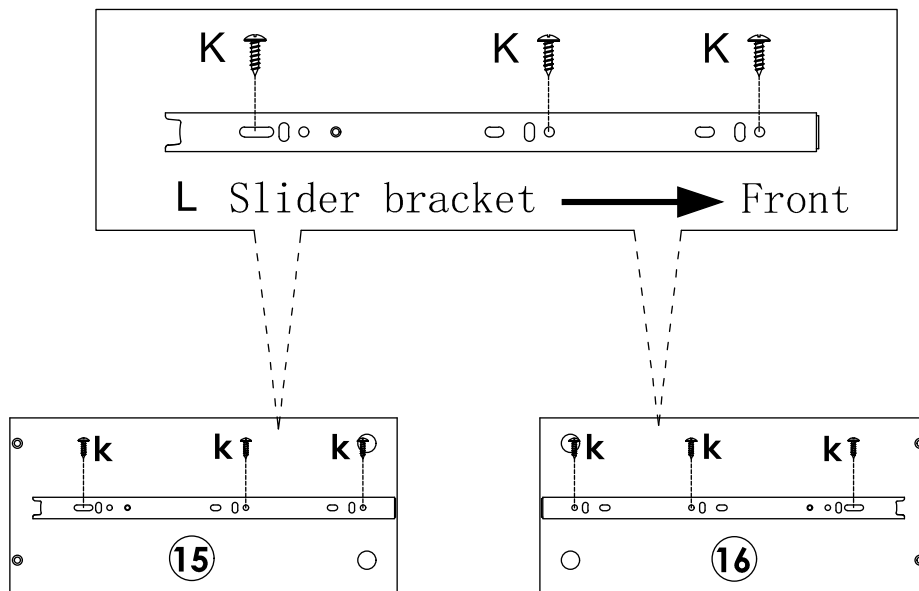
K x 18pcs

STEP 3





	M x 6pcs
	K x 18pcs

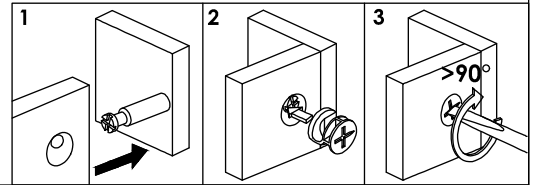
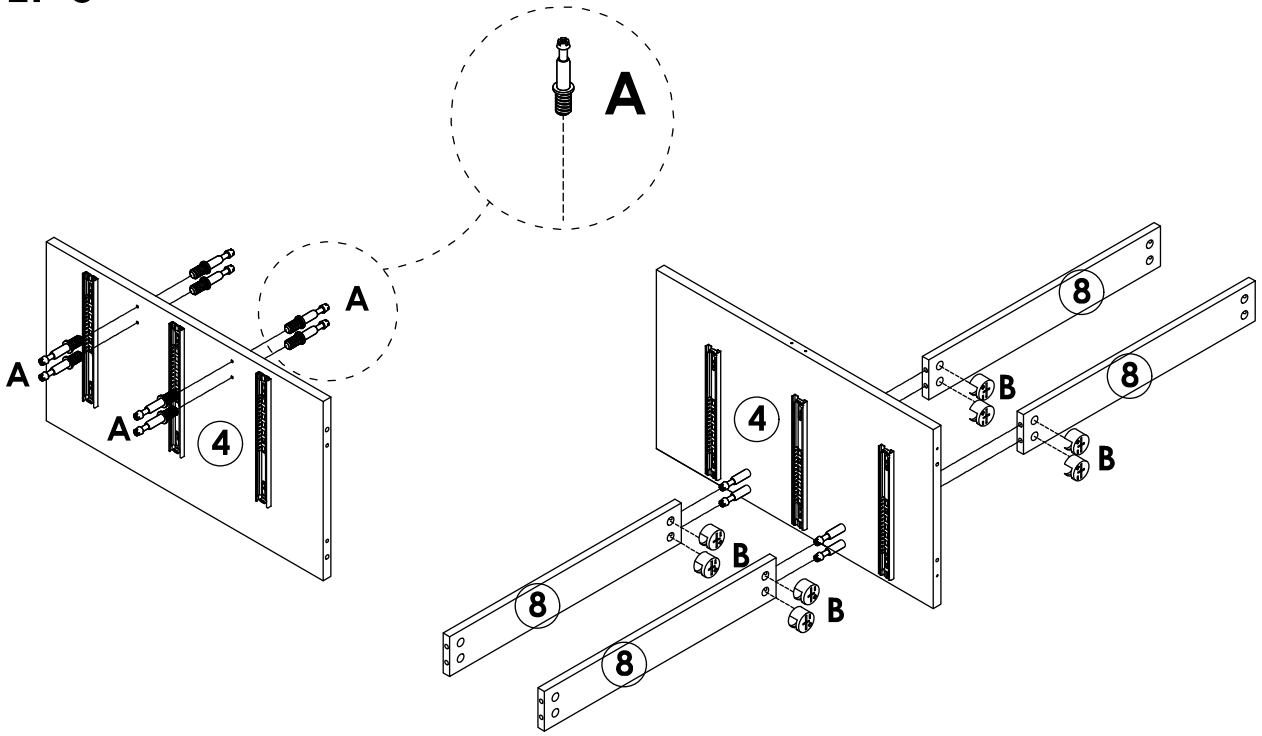
STEP 4

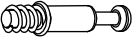



x6

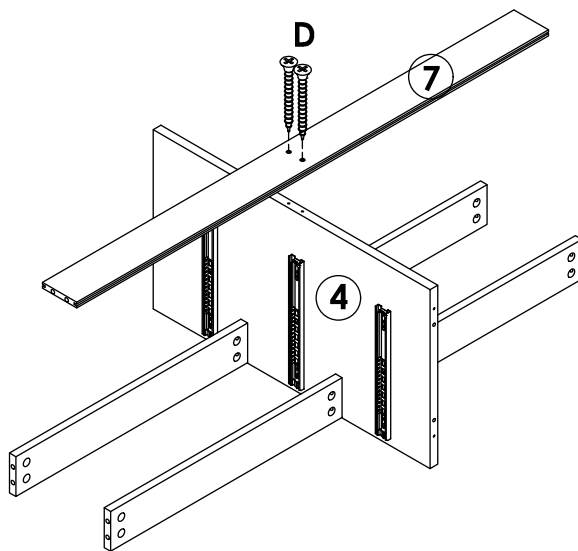
	L x 12pcs
	K x 36pcs

STEP 5



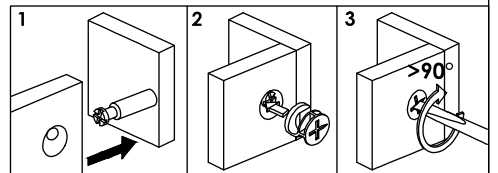
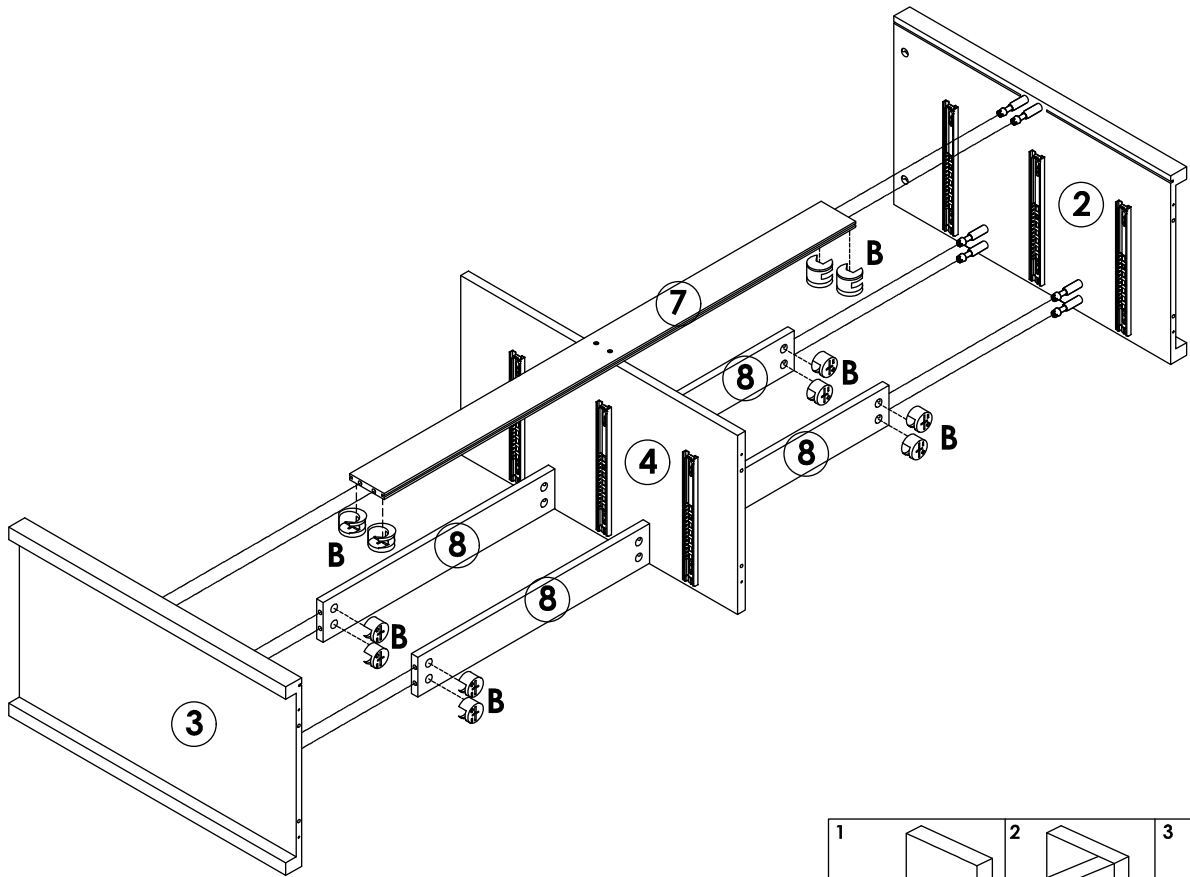
	A x 8PCS
	B x 8PCS

STEP 6



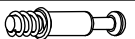
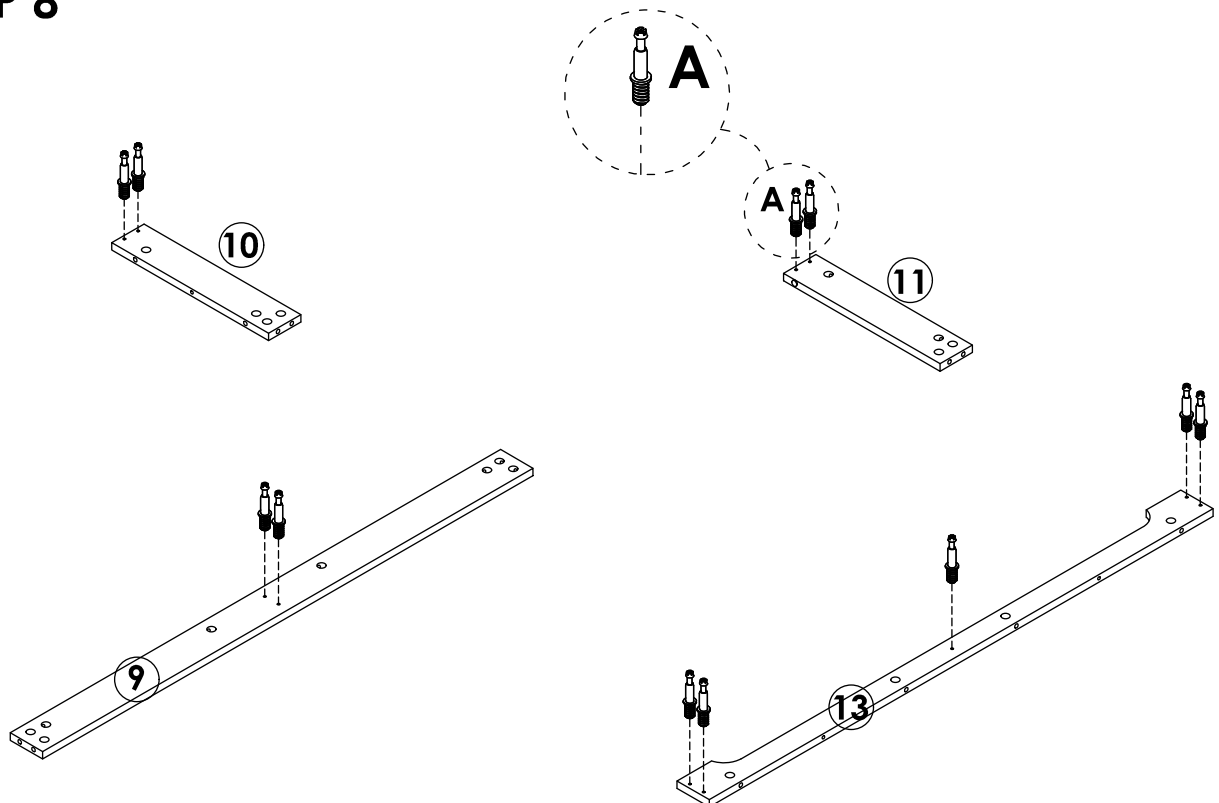
	D x 2PCS
---	-----------------

STEP 7



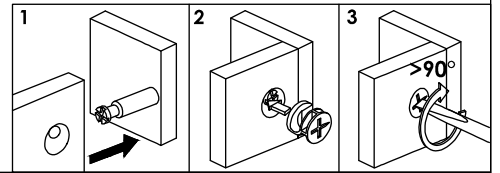
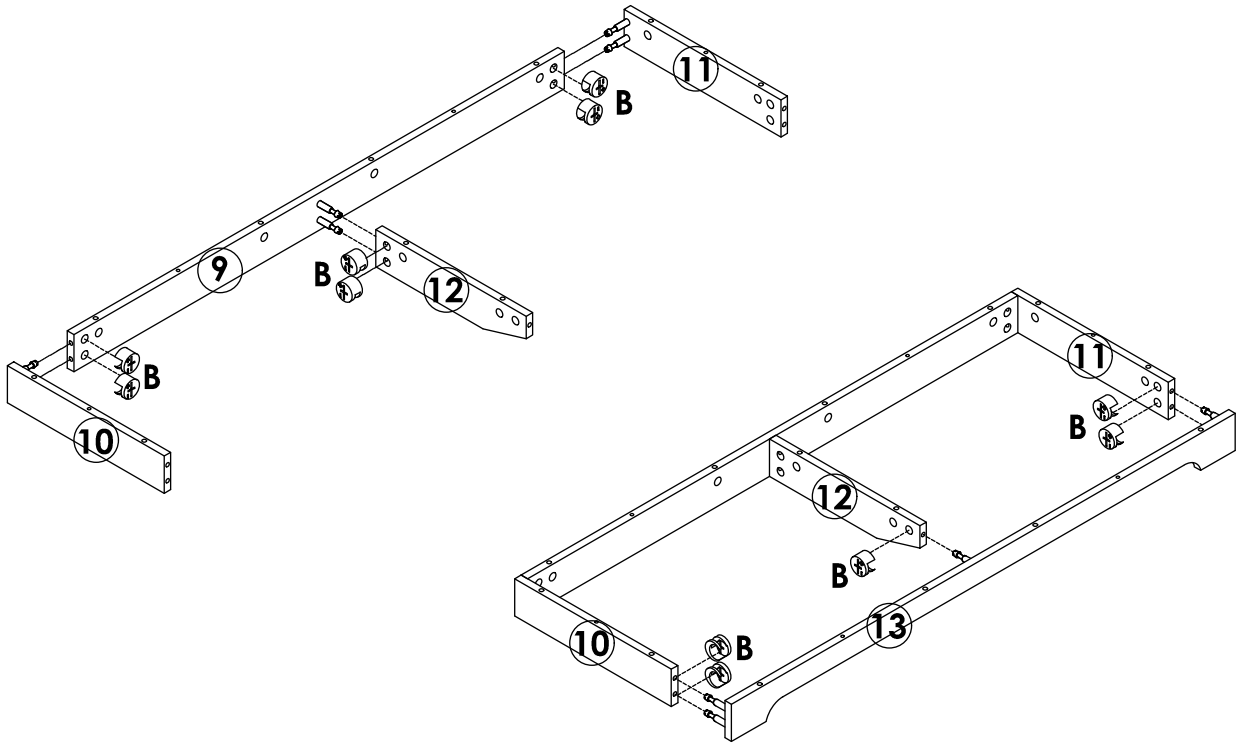
B x 12PCS

STEP 8



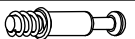
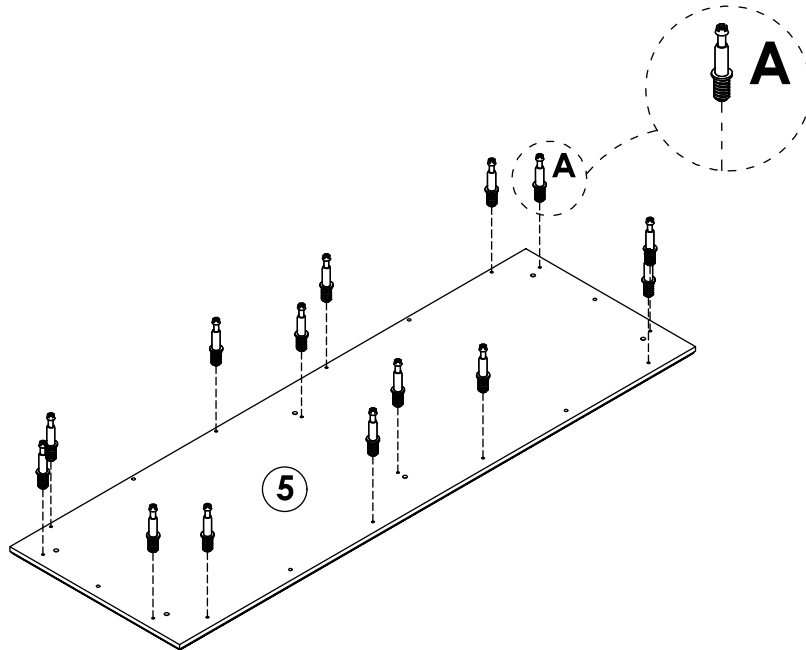
A x 11PCS

STEP 9



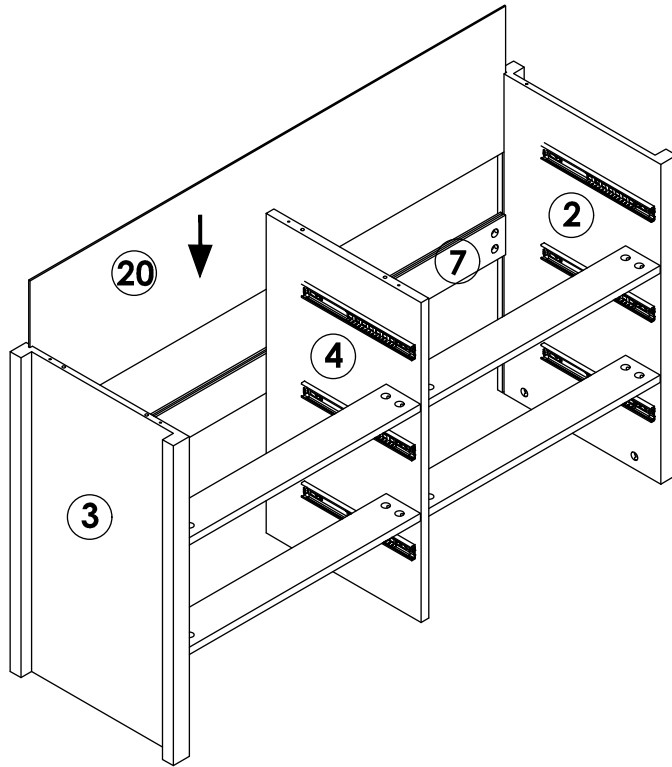
B x 11PCS

STEP 10

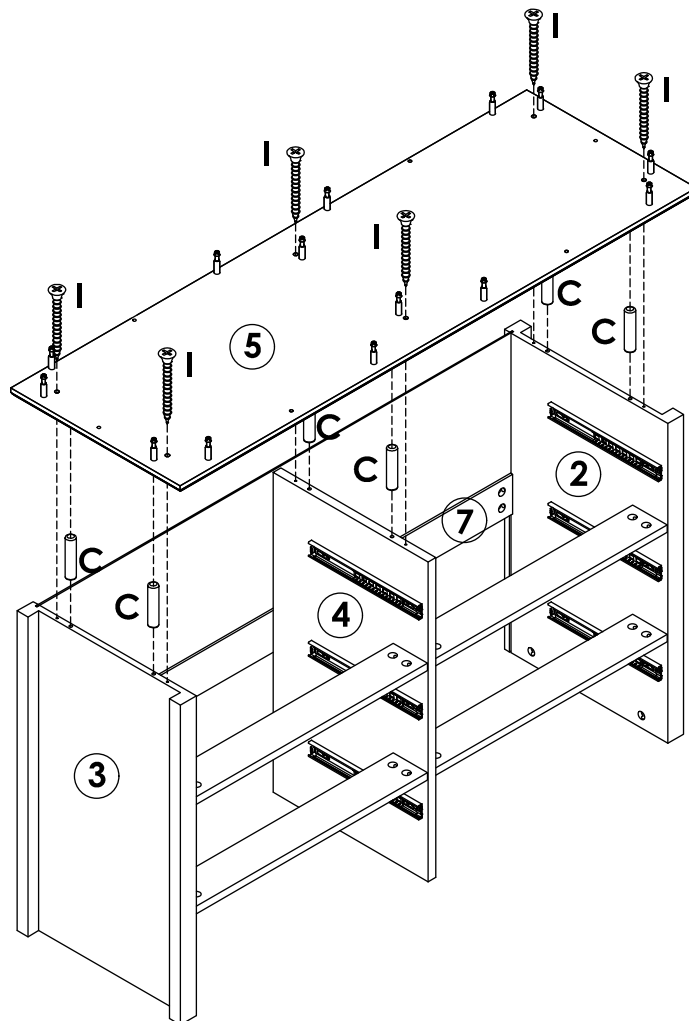


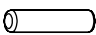
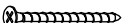
A x 14PCS

STEP 11

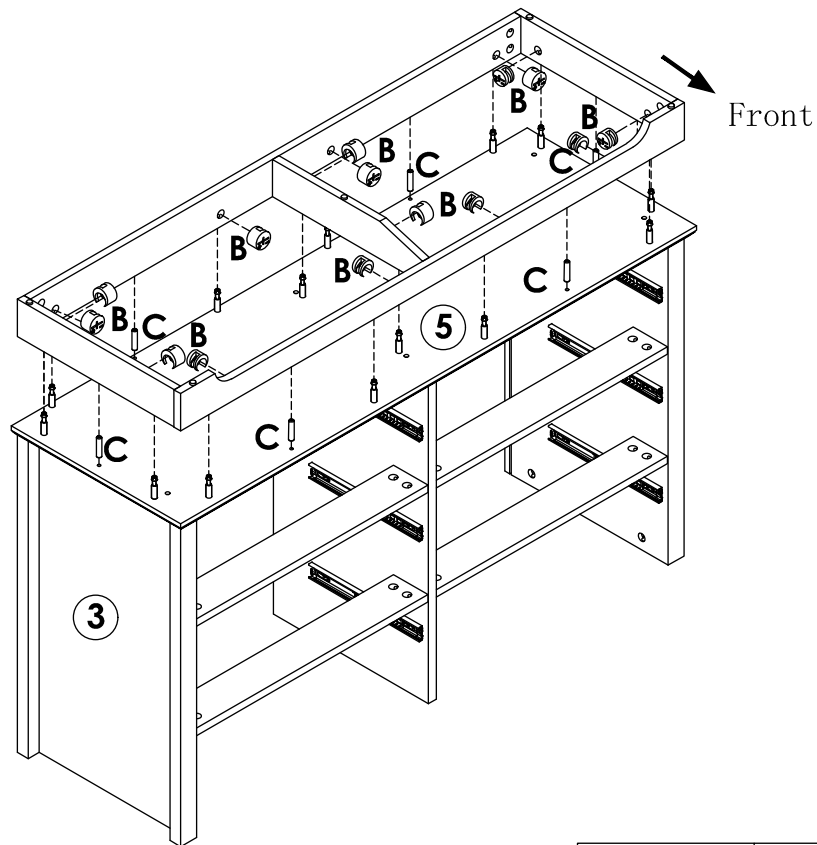



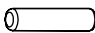
STEP 12

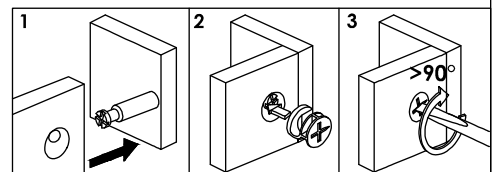


	C x 6PCS
	I x 6PCS

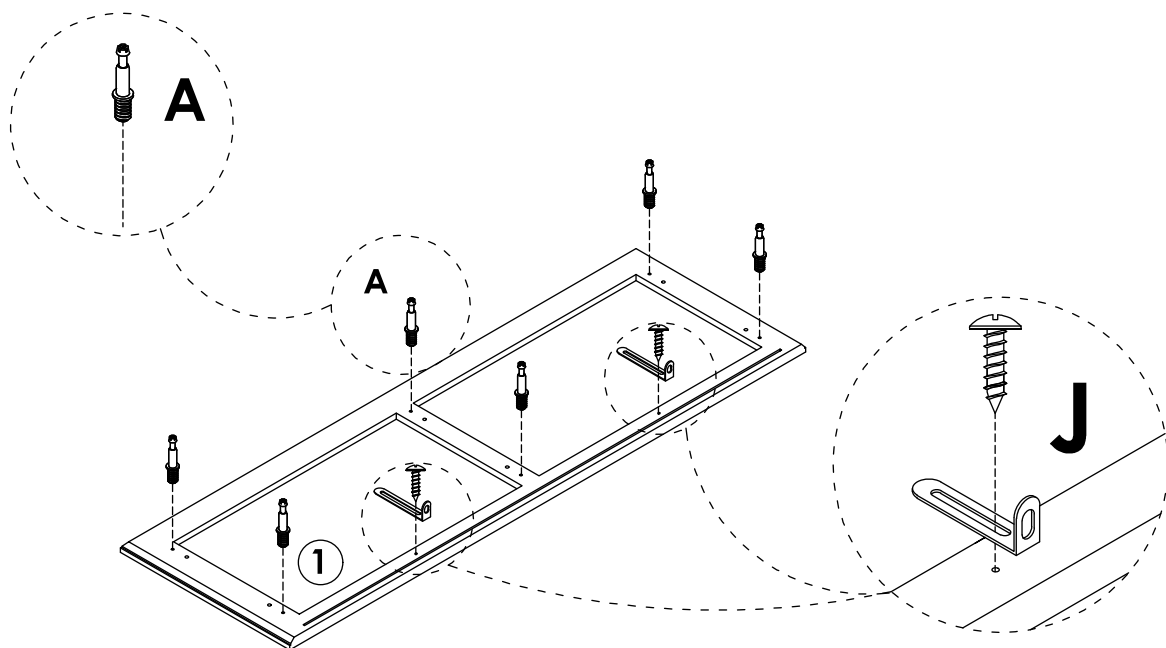
STEP 13

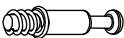
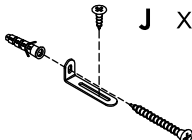


	B x 14PCS
	C x 6PCS

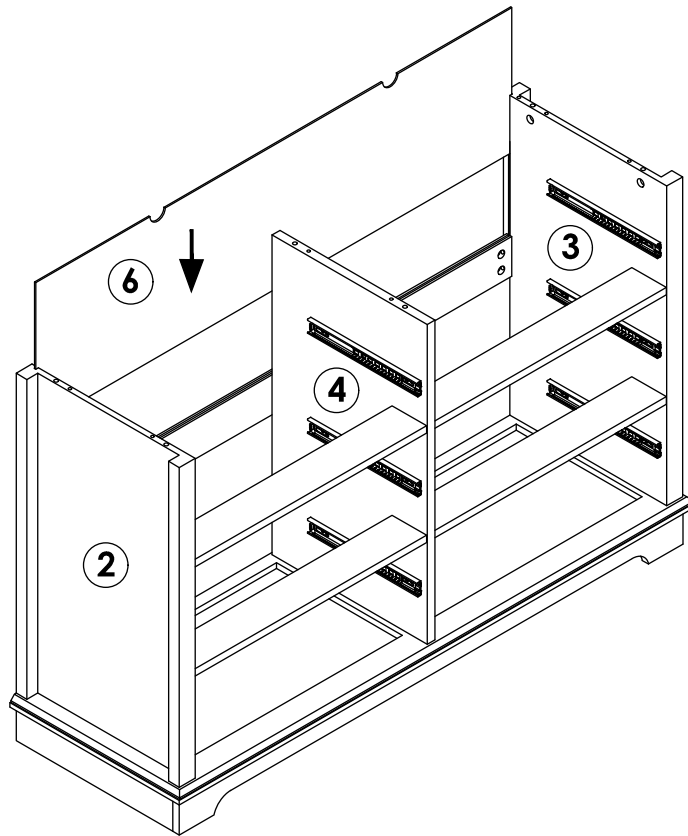


STEP 14

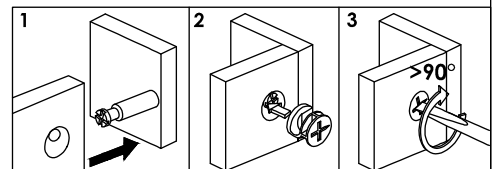
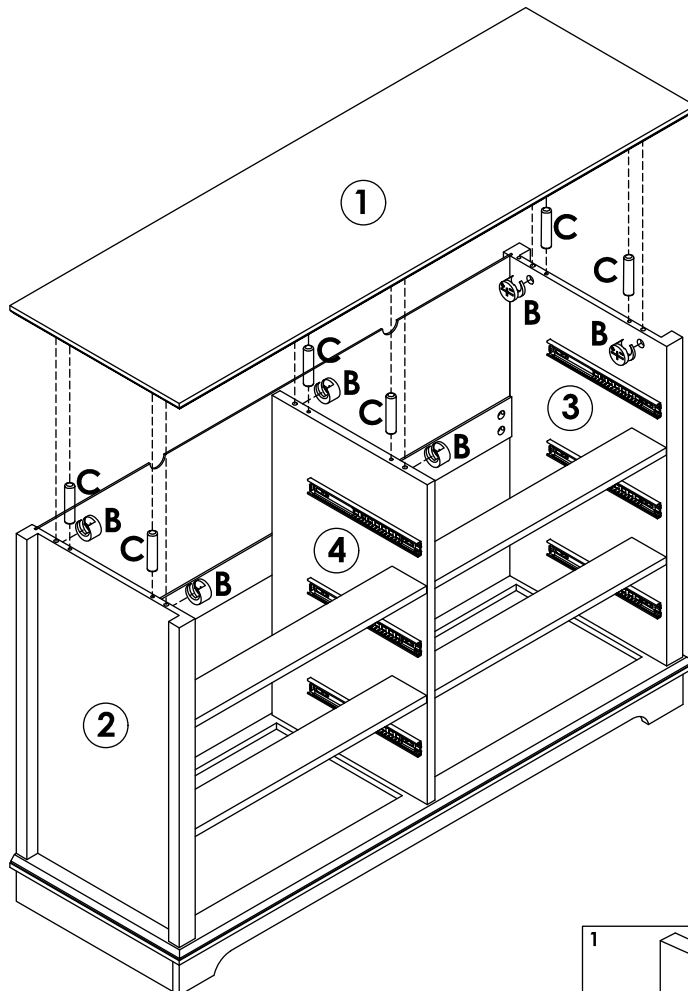



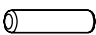
	A x 6PCS
	J x 1SETS

STEP 15

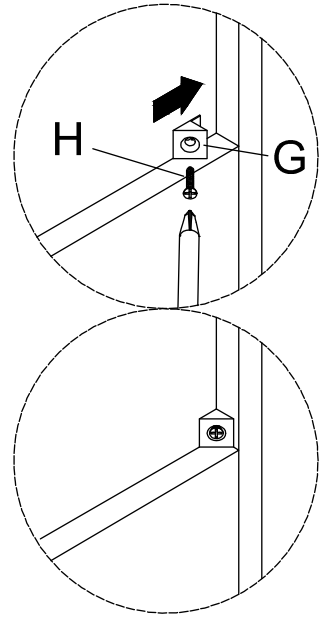
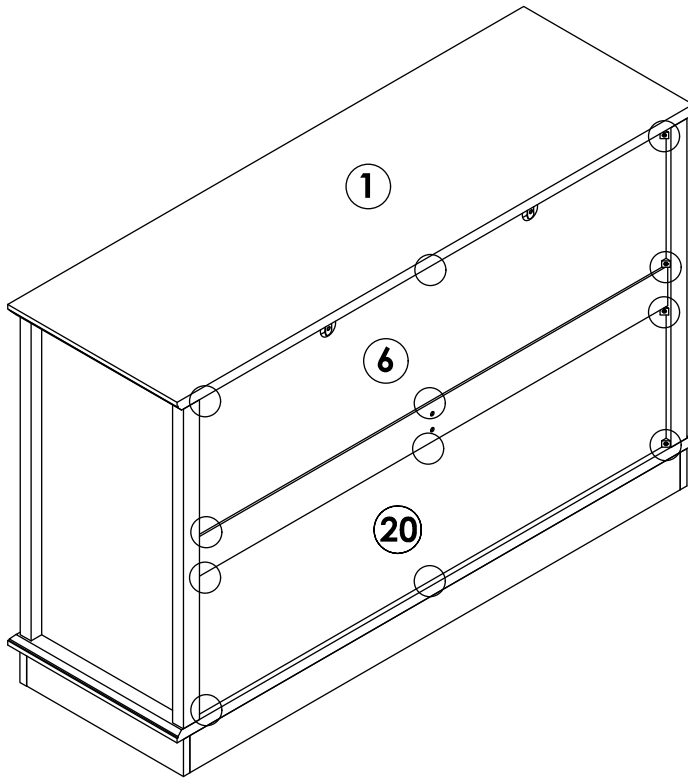


STEP 16



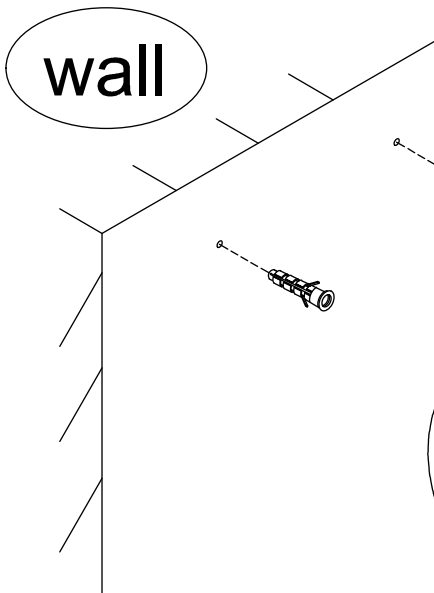
	B x 6PCS
	C x 6PCS

STEP 17

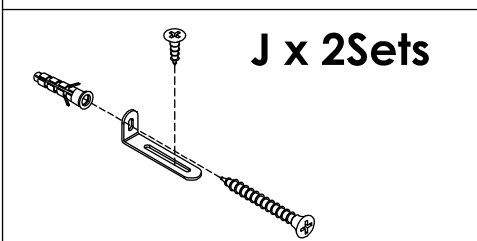
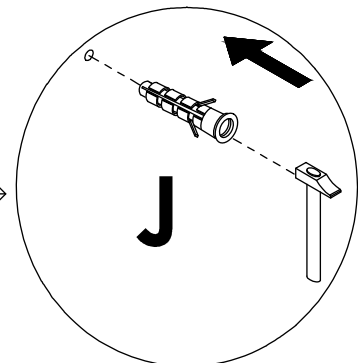
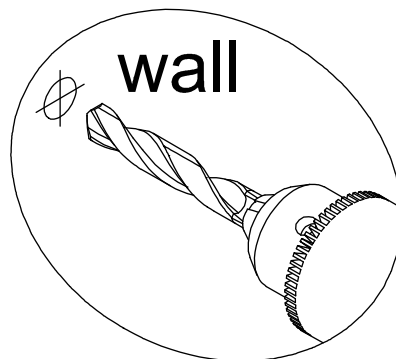


	G x 12PCS
	H x 12PCS

STEP 18

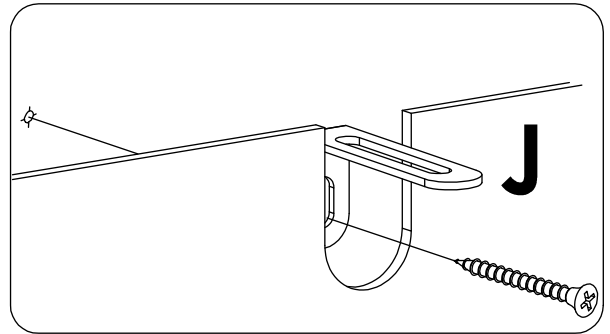


Drill a hole on the wall at the required position for anti-falling device installation.

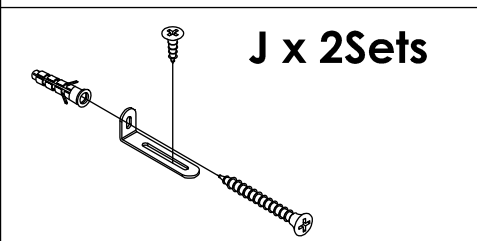
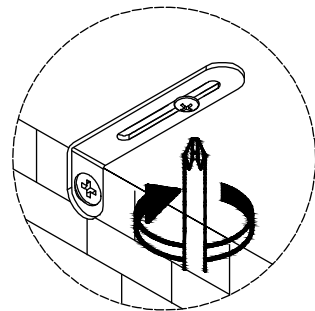
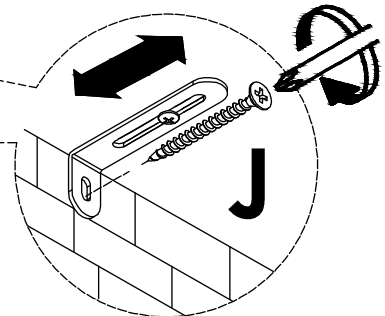
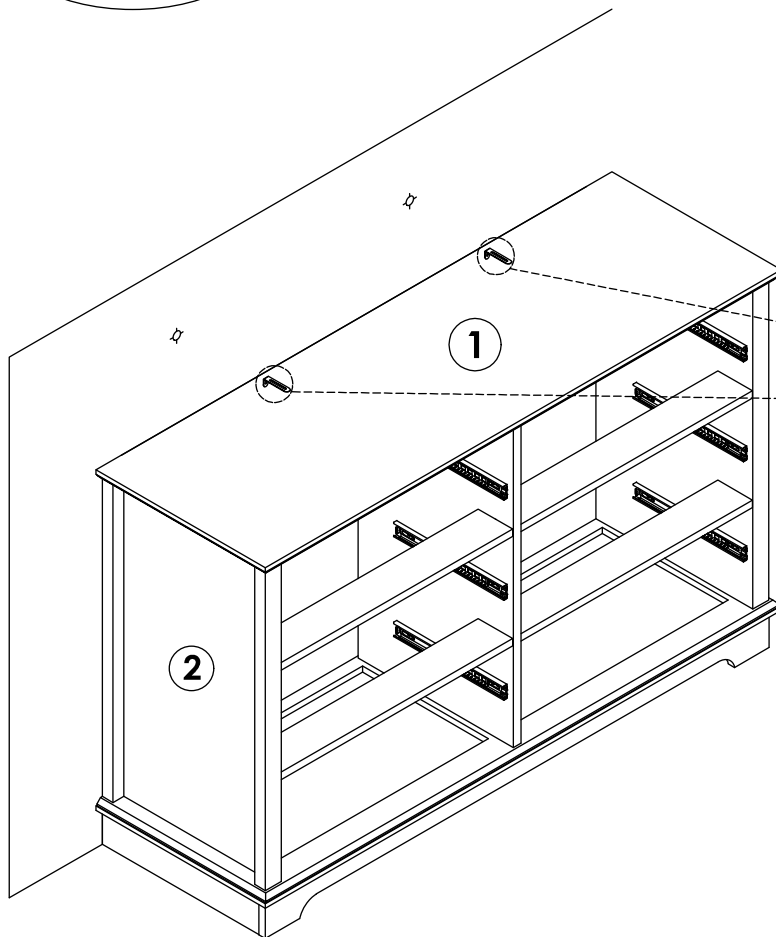


STEP 19

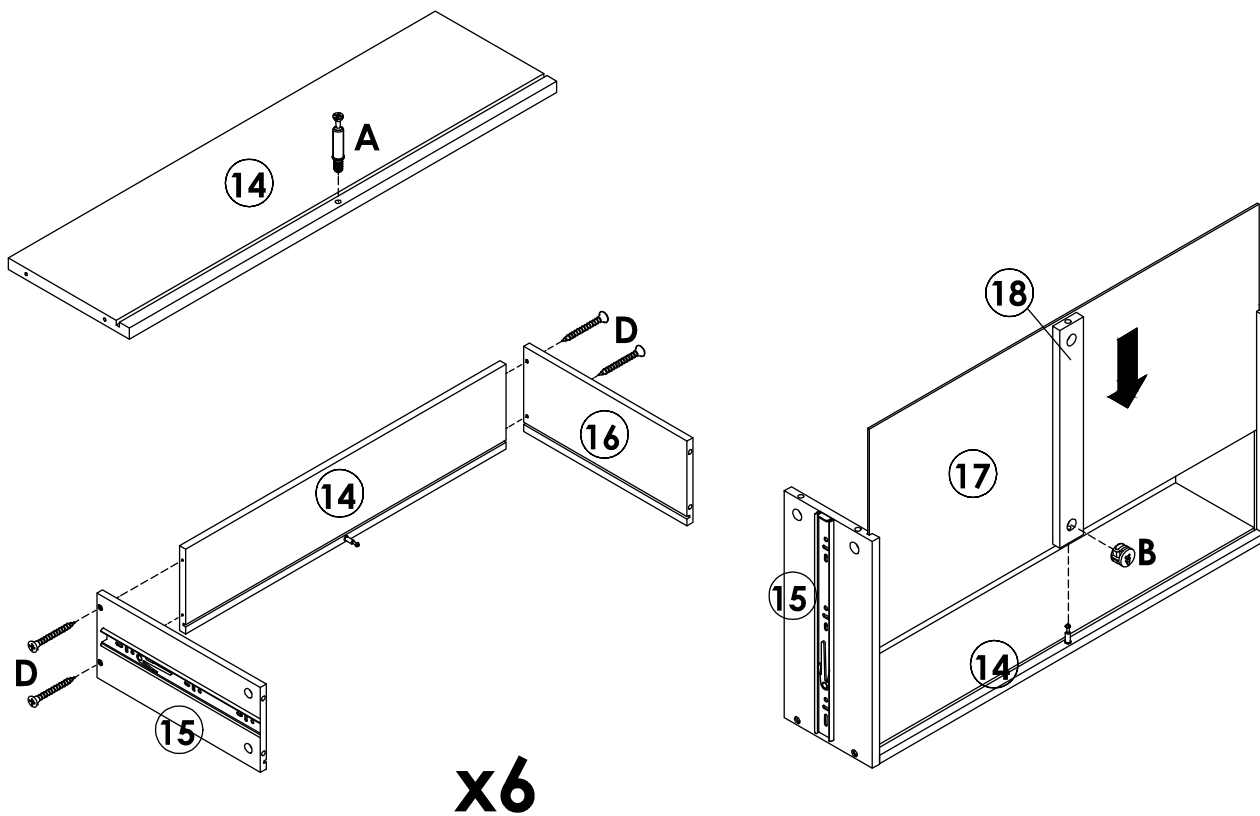
Move the cabinet to the required position, use the "J" long screw to fix the cabinet to the wall.

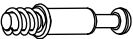




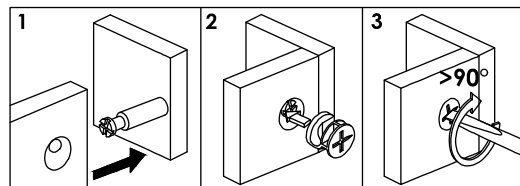
wall



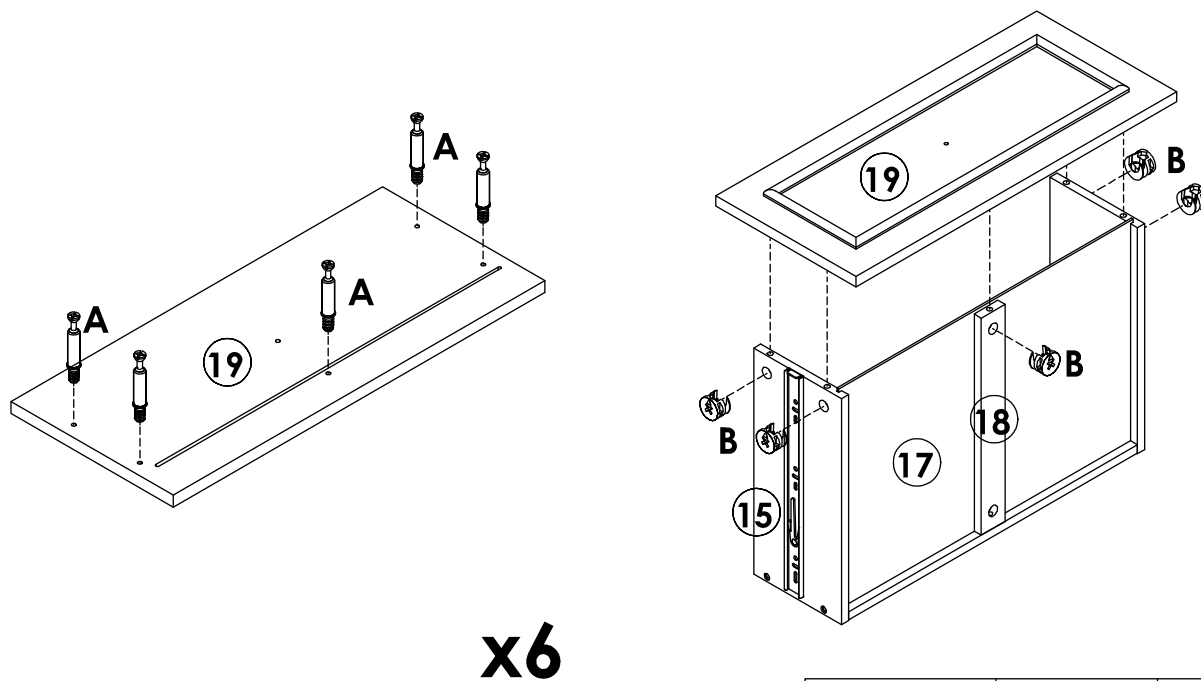
STEP 20

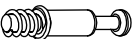



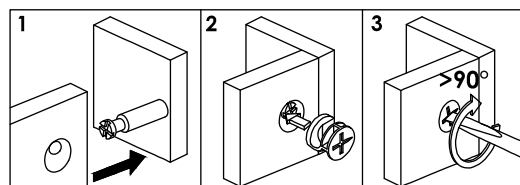
	A x 6PCS
	B x 6PCS
	D x 24PCS



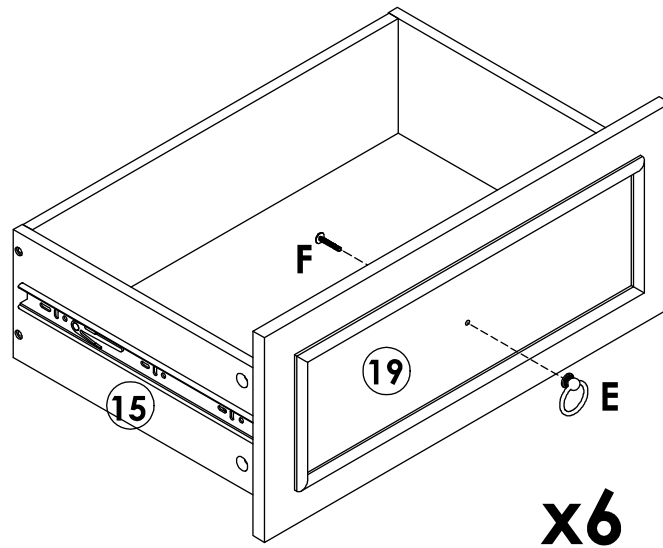
STEP 21



	A x 30PCS
	B x 30PCS



STEP 22

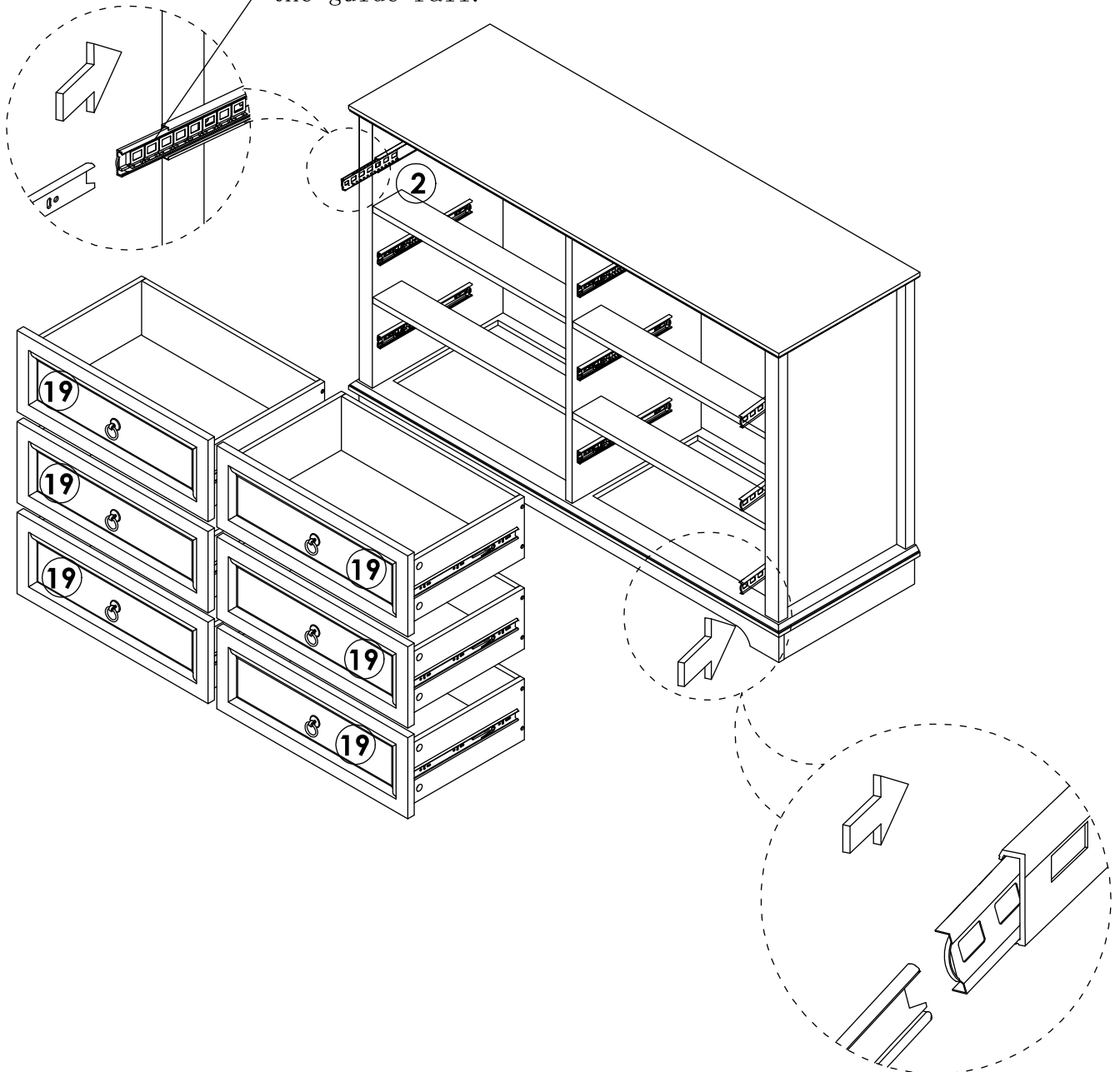


	E x 6PCS
	F x 6PCS

x6

STEP 23

Slide the ball slide to the front end of the guide rail.



WARRANTY CARD

Your warranty includes

- **30 Days Money Back Guaranty**

Within the first 30 days of your purchase, you are allowed to return your product for a full refund.

- **30 Days to 3 Months(6 Months)**

We will replace the defective unit due to manufacturer fault with a new one. (You will receive extra 3 Months warranty if you register on our website.)

- **3 Months to 24 Months**

Within 24 Months, we will provide timely and effective online after-sales service after your purchase.