



15 : 00

estimated assembly



2 or more

people required

Ok, let's
get started!



- Put on mood music!
- To prevent damage to product, use the clean side of package carton or rug as working surface.
- In the event of missing or damaged parts, delivery problems etc., please reach out to our team.
We will be happy to fix the problem!

care guide

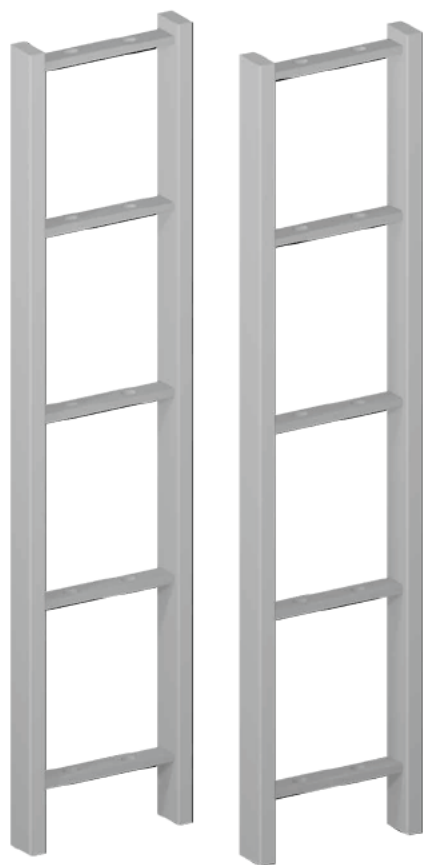
- Clean regularly with a soft and dry cloth.
- To protect finish, avoid use of abrasive cleaners.
- Wipe up spills immediately. Please!



product parts



(A1,A2,A3,A4,A5)
Shelves
x5



(B1, B2)
Frames
x2

what's included



(C)- L Key Bolt
(6 x 30mm)
x20



(D)- Plain Washer
x20



(E)- Lock Washer
x20



(F)- Allen Key
(4mm)
x1

OS

Orange sticker

GS

Green sticker

assembly instructions

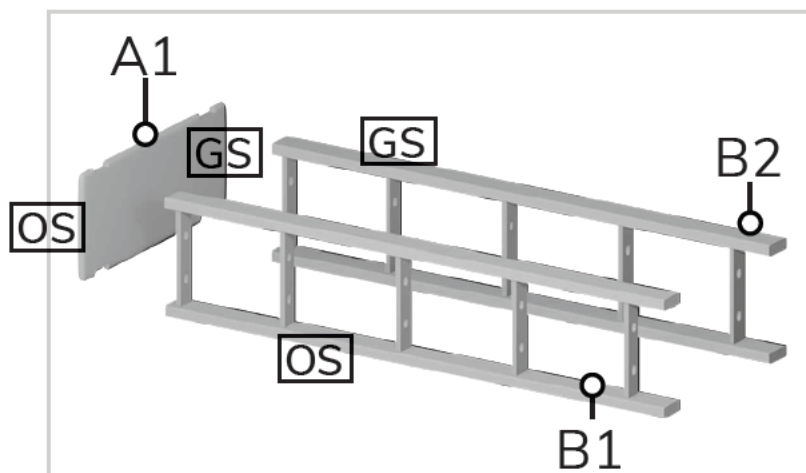
Friendly Tip: Take a deep breath going in. This may be a tricky part, but nothing too overwhelming. Just follow these steps to the T and the outcome will be worth it!



- ⓘ While assembling the product, tighten the bolts up to 50%. Once all parts are in place, only then fully tighten the bolts.

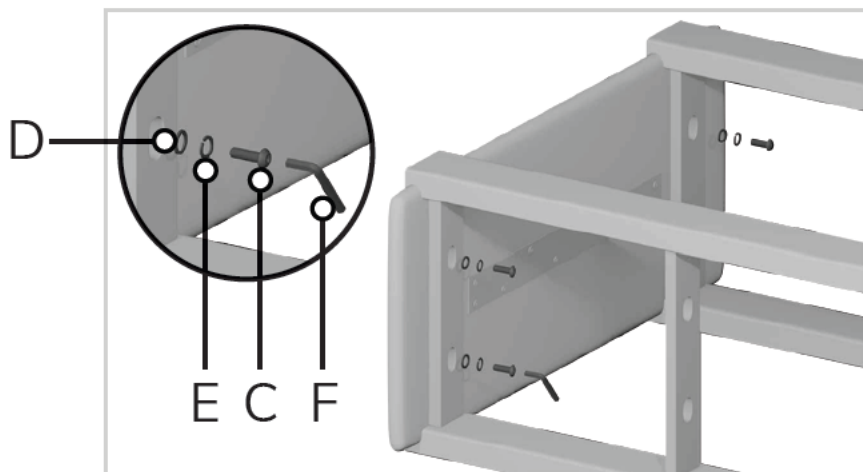
step 1:

Start by placing the frames (B1 & B2) sideways and align the shelf (A1) with the frames in such a way that the orange (OS) and green (GS) stickers align with their respective others as shown below.



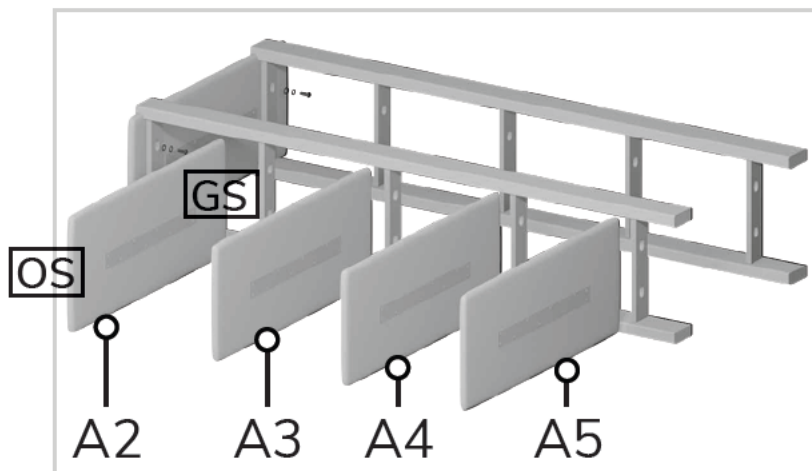
step 2:

Now, attach shelf (A1) with frames (B1 & B2) by inserting plain washer (D), lock washer (E), and bolts (C) in the given slots. Tighten the bolt upto 50% using allen key (F).



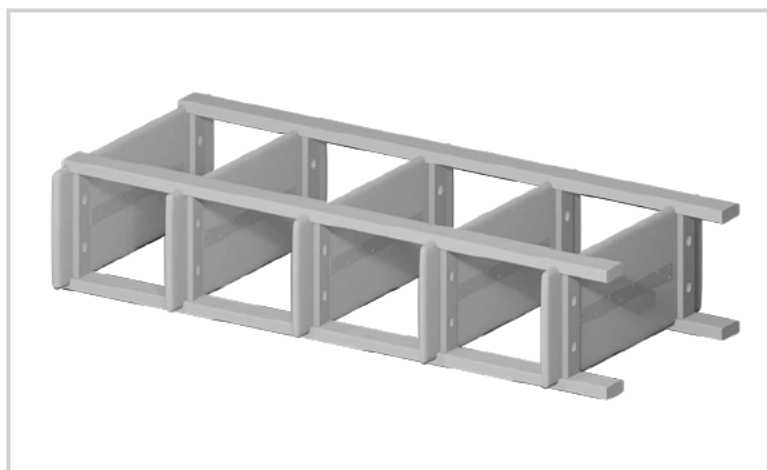
step 3:

Repeat the same steps for the remaining shelves (A2,A3,A4,A5) making sure the stickers matches with their respective counterparts.



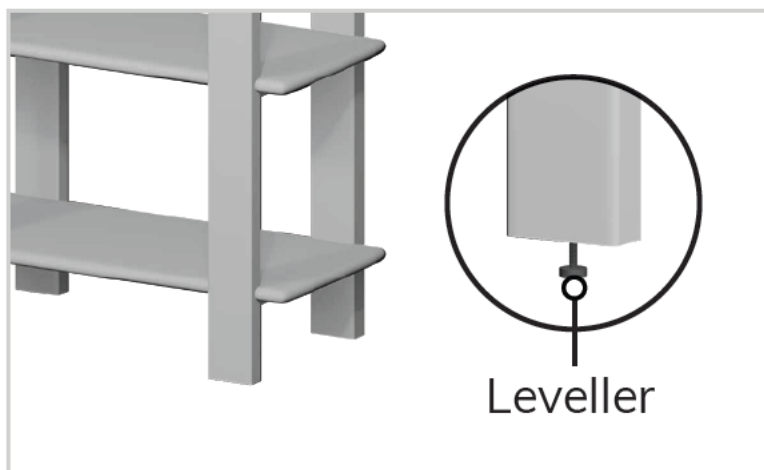
step 4:

Once attached, tighten all the bolts fully using allen key (F).



step 5:

If required, adjust the levellers according to the floor as shown in the image.



Voila! Your bookcase is now assembled and secure!